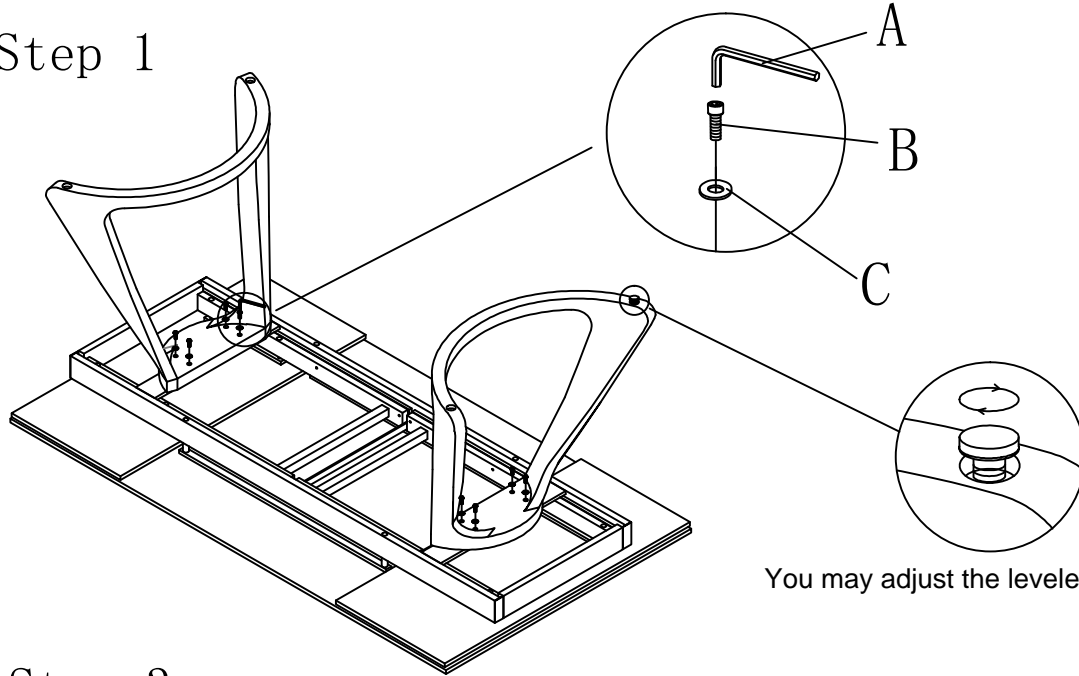
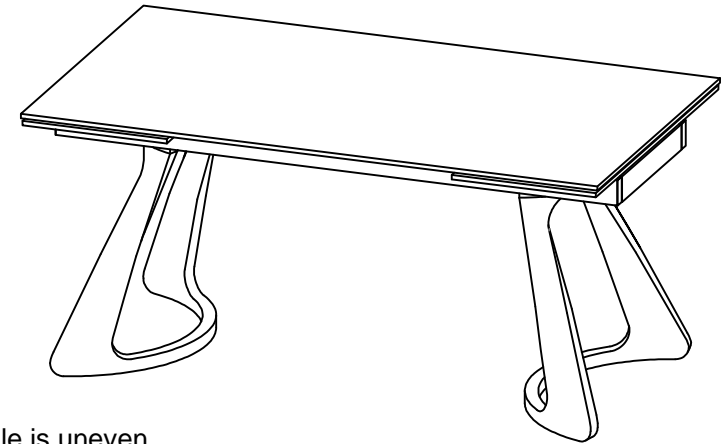


Step 1

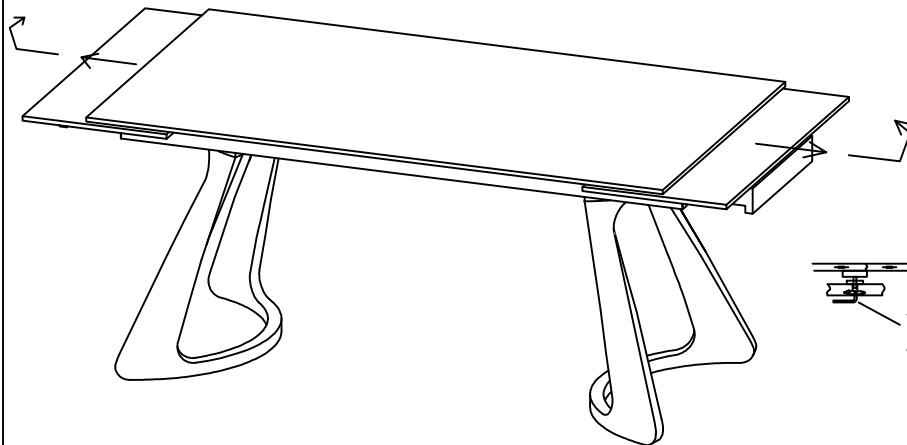


Step 2

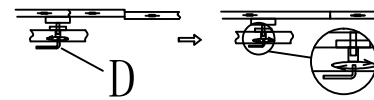


You may adjust the leveler if the table is uneven

Step 3







Finish



Use wrench D to turn the rod,them adjust screw to make the glass on the flat.(after adjust please lock the screw rod.)

DT9025

NO.	A	B	C	D
TYPE	 6#	 M8x50	 8#	 8#
QTY	1PC	8PCS	8PCS	1PC