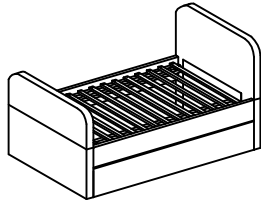


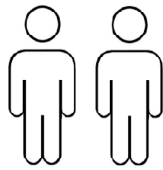
ASSEMBLY INSTRUCTION



+ Do Not Use Power Tools



+ Suggested Adults



NOTE:

- 1 Read instructions cover to cover.
- 2 Save all packaging until assembly is completed.

1 IMPORTANT SAFETY INFORMATION

Do not assemble the product if any of the following parts arrived damaged:

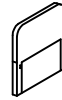
- Part # - Side Rails
- Part # - Center Support Bar
- Part # - Support Legs
- Part # - Slats

2 IMPORTANT ASSEMBLY INFORMATION

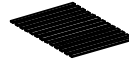
Assembly Step Ensure the side rail bracket is fully hooked onto bolt loosely threaded with both washers on the **OUTSIDE** of the bracket first, then proceed to fully tightening all 4 corners.

+ Parts Included

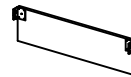
- ① Headboard (1 of pc) ② Footboard (1 of pc) ③ Side Rail (2 of pcs)



- ④ 13 Pcs Slat (1 of set) ⑤ Bottom Panel (2 of pcs) ⑥ Trundle Front Panel (PU) (2 of pcs)



- ⑦ Trundle Side Panel (2 of pcs) ⑧ 7 Pcs Slat (1 of set)



+ Hardware Included

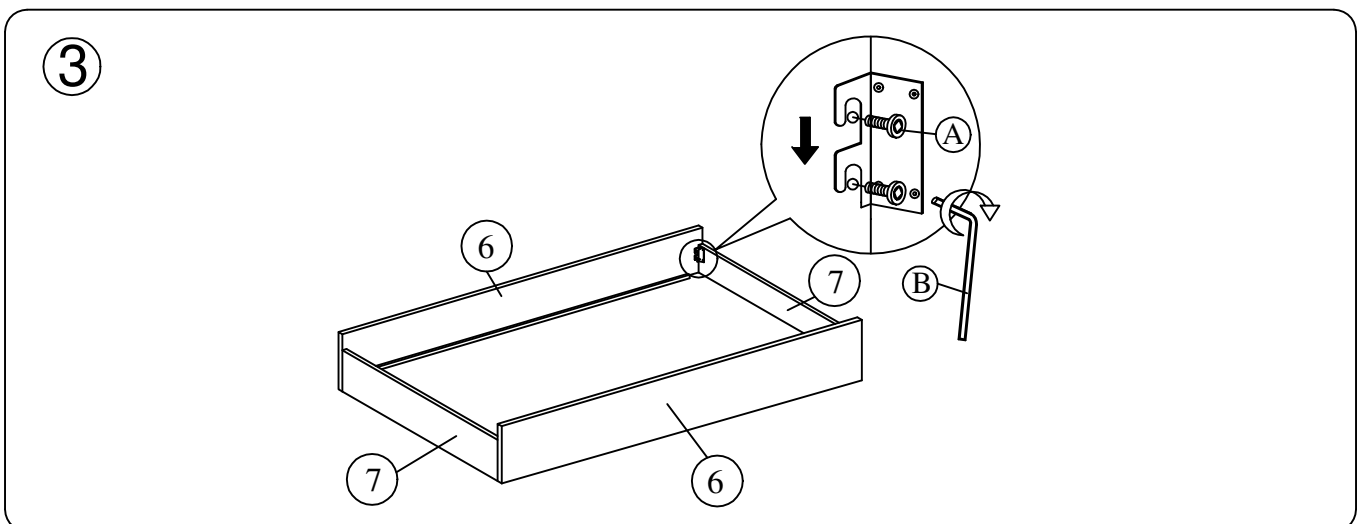
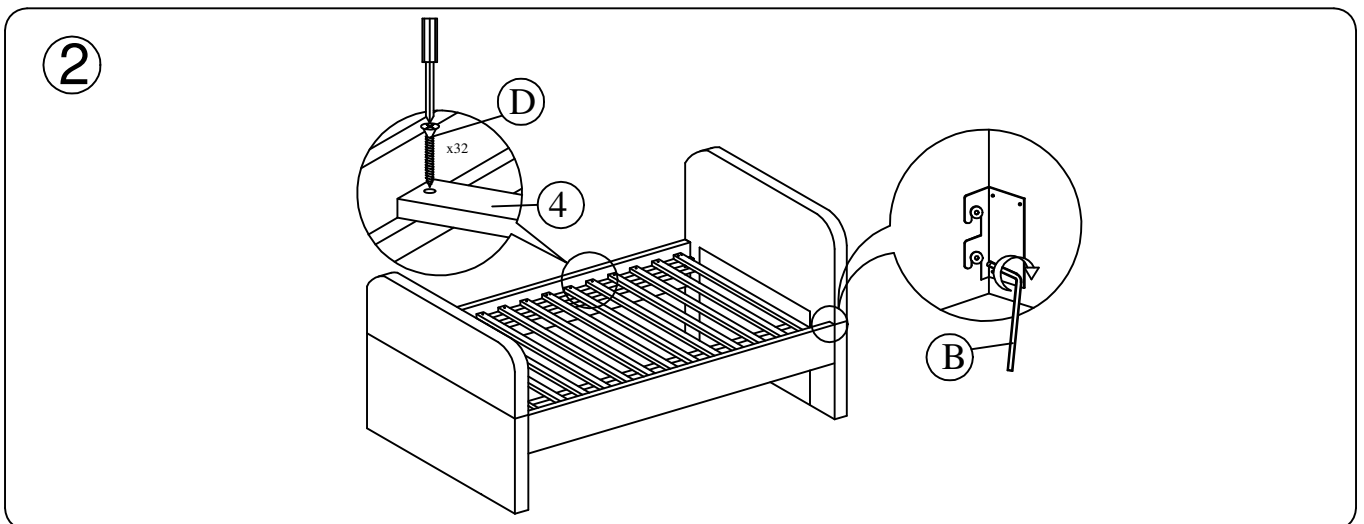
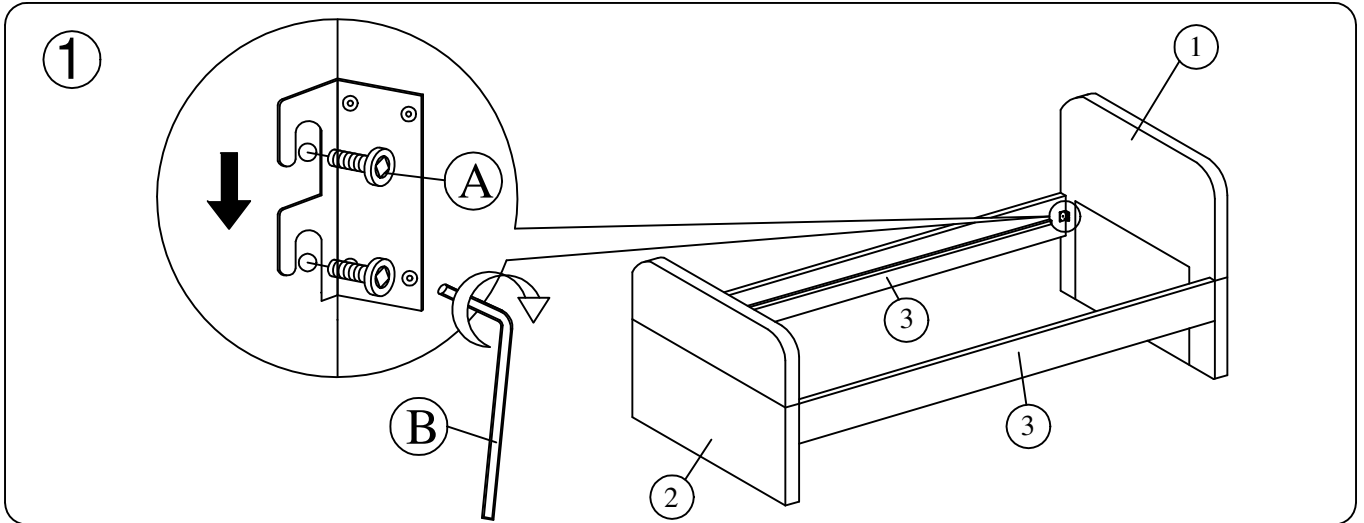
- A JCBB M8x30mm (16 of pcs) B Allen Key M5 x 70mm (1 of pc) C CSK M3.5 x 16mm (24 of pcs)



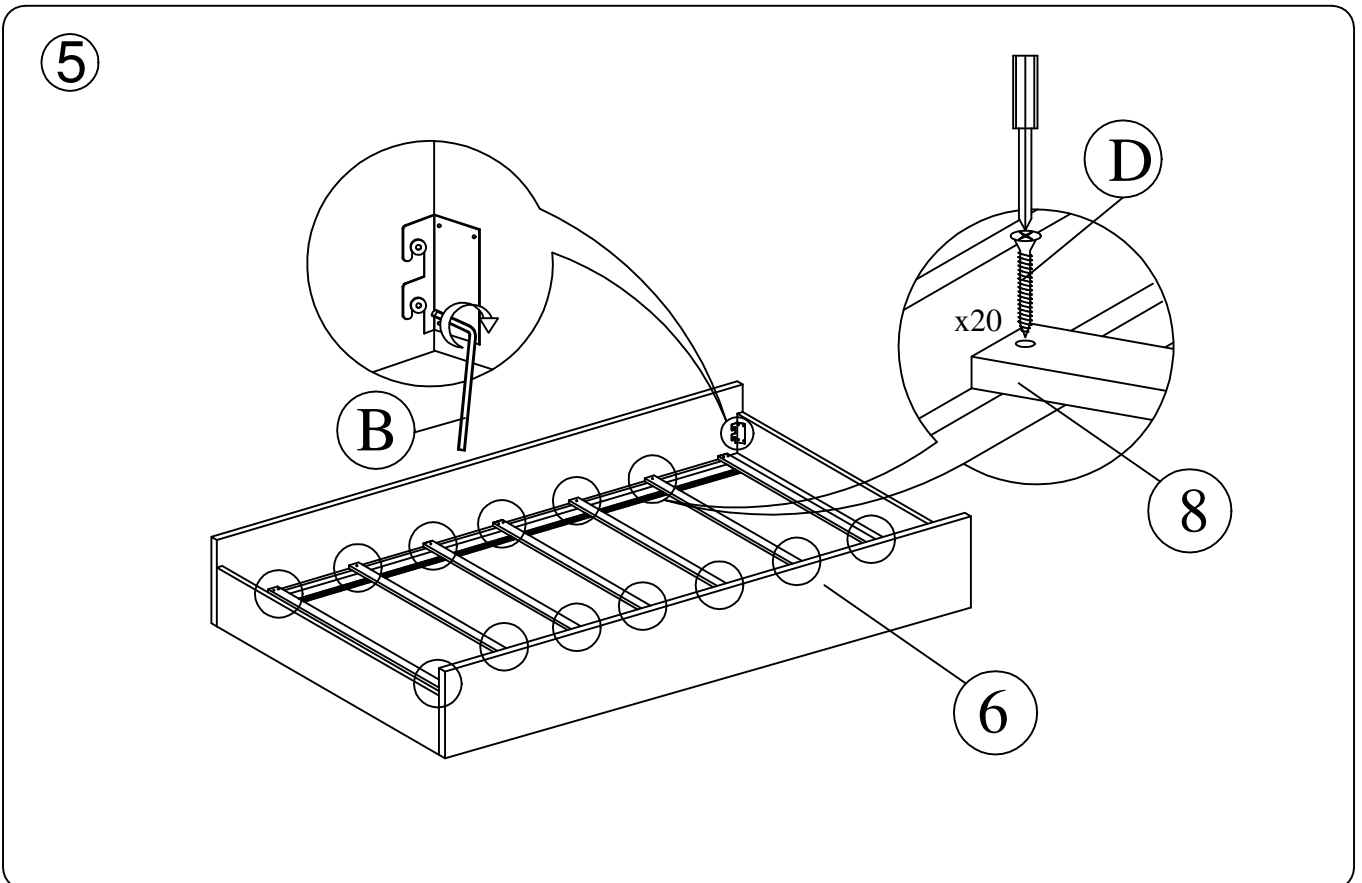
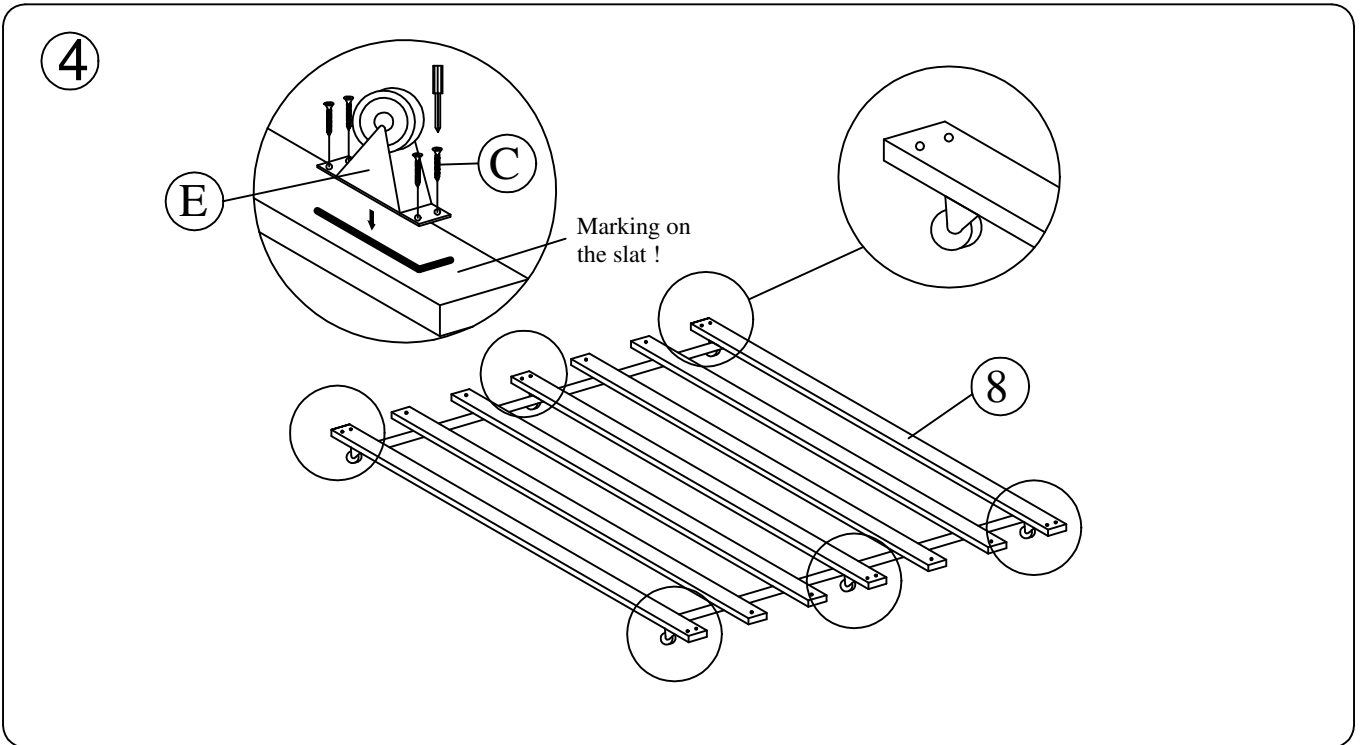
- D CSK M4 x 32mm (52 of pcs) E Roller (6 of pcs)



ASSEMBLY INSTRUCTION



ASSEMBLY INSTRUCTION



ASSEMBLY INSTRUCTION

