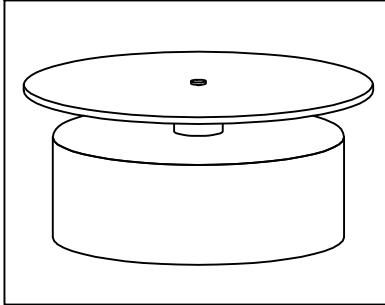


ASSEMBLY INSTRUCTIONS



+ Do Not Use
Power Tools



+ Suggested
Adults



NOTE: For questions about parts or assembly please email support@meridianfurnitureusa.com or call us at 718-758-4455.

1. Read instructions cover to cover.
- 2 Save all packaging until assembly is completed.

1. **IMPORTANT SAFETY INFORMATION**

Do not assemble the product if any of the following parts arrived damaged :

- Part # 1 - Marble top
- Part # 2 - Wooden base with S.S pedestal

2. **IMPORTANT ASSEMBLY INFORMATION**

Assembly step : Use bolt A to connect Part 1 to Part 2 .

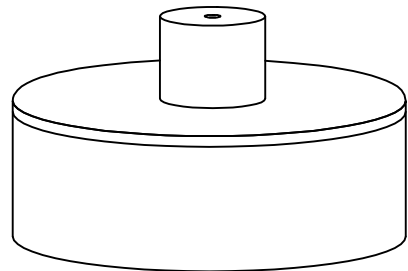
***Warning :** Do not over tighten screws, or it could damage the Table Top.

+Parts Included

- ① Marble Top
(1 pc)



- ② Wooden base with S.S pedestal
(1 pc)



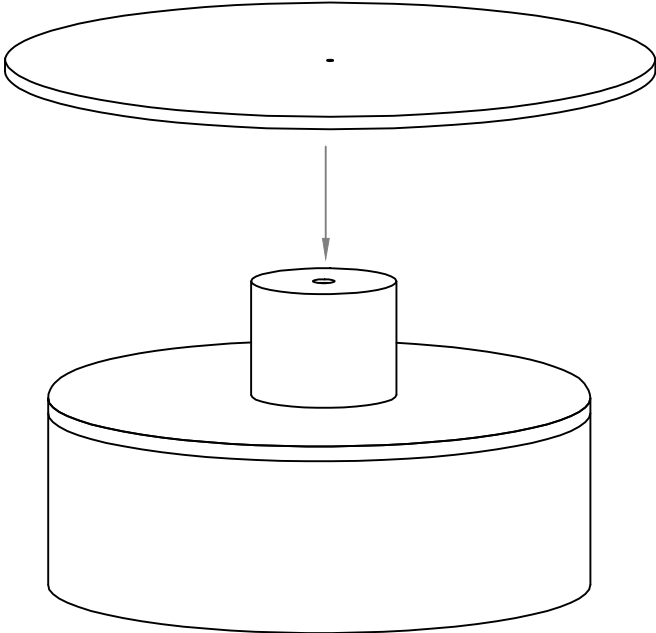
+ Hardware Included

- A . Top Screw Cap
(1 pc)

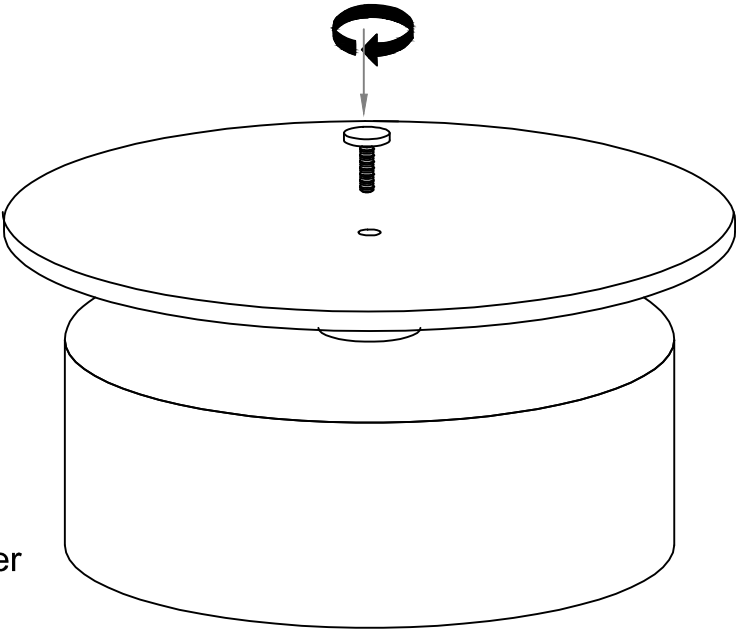


ASSEMBLY INSTRUCTIONS

1



2



Note: Do not over tighten screws