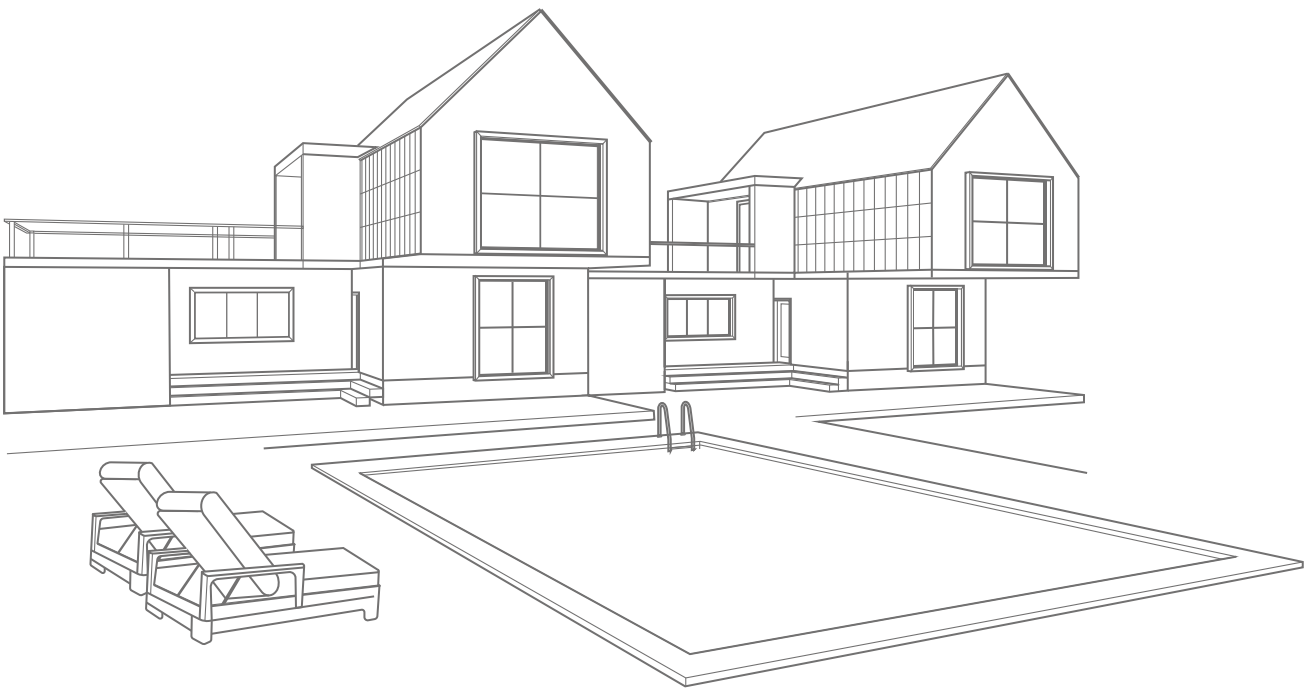
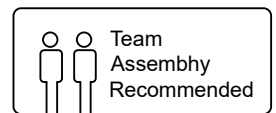
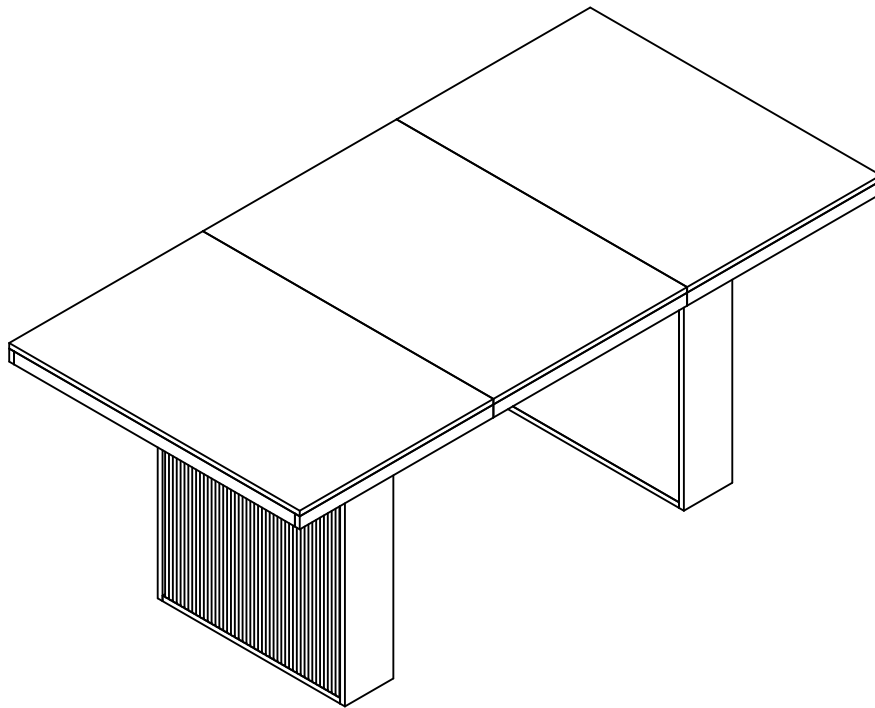


Dining Table



Assembly instruction!



Trouble shooting:

Missing/Wrong /Broken parts and installation issues



Send email with your question pic, order NO. and screenshot of order details to us



Respond within 24 hours



Issue resolved

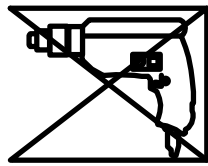
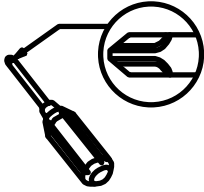
Tips!



1. Check all the components & screws are intact before assembling .
2. If you notice any pieces are missing or damaged please do not assemble and contact us immediately .

Tools required

A Phillips head screw driver is required for the assembly of this product. (not included)
Electric tool should not be used to assemble this product.



Two people are needed



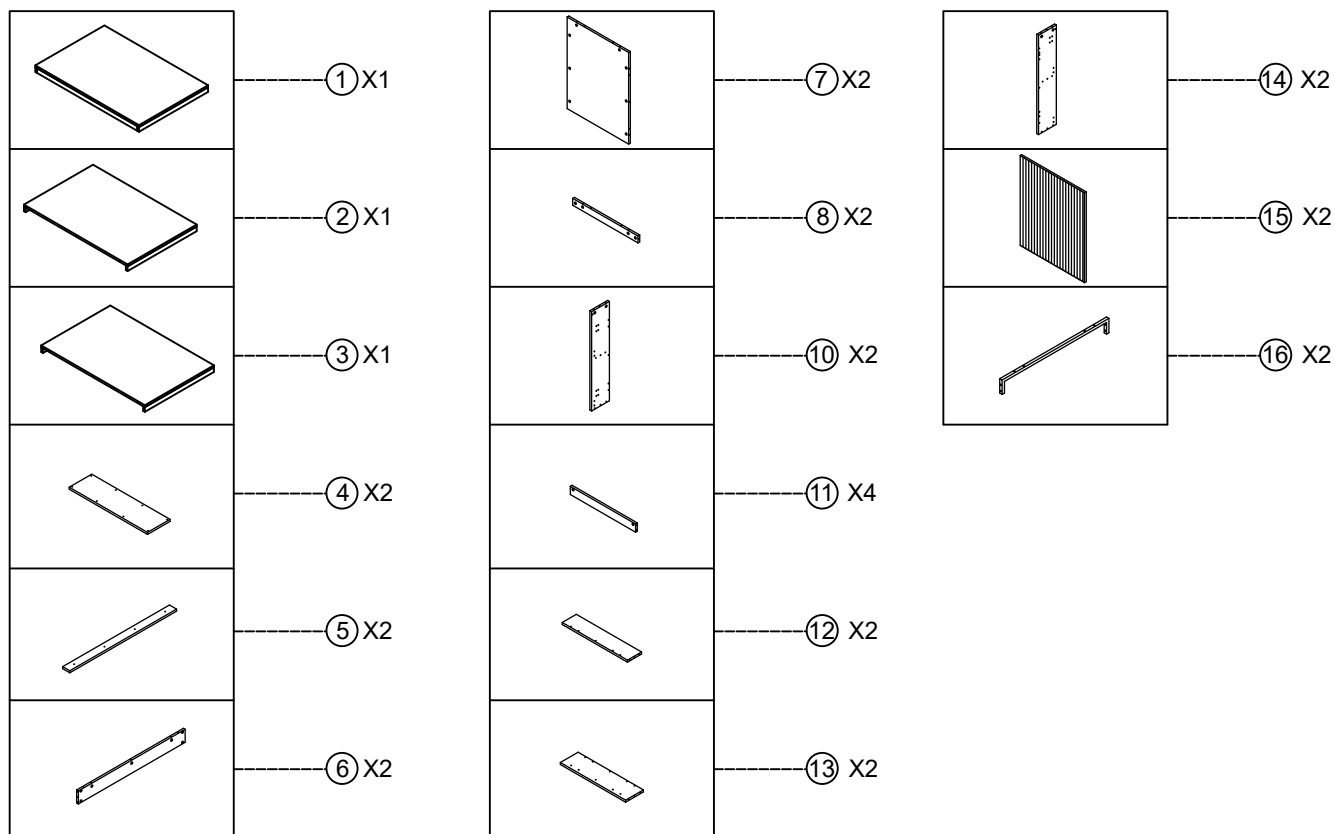
IMPORTANT SAFETY INFORMATION

- Please carefully read the following instructions and caution warnings before assembling the product.
- Following this guide will ensure that you install, use and maintain the product properly.
- Please keep this installation and user manual/instructions for future reference in case you need to disassemble the product.
- Never allow children to climb onto the product. Ensure that you have special safety measures when children are around on their own.
- Be sure to check that all parts of the product are intact after you open the package.
- Do not assemble if you notice serious damage such as cracks or bends.
- During installation, please use work gloves for hand safety.
- Please assemble the unit on carpeted floor or the flat cardboard box to avoid scratching the surface or your floor while assembling on the floor.
- To assemble, please use the complimentary installation tools (Phillips screwdriver). Pay more attention to the direction of components at each steps.
- It is recommended that two people work together to assemble the product.





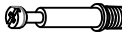

RETURN POLICY








- Please contact us directly within 30 days after receiving.
- Ensure the product is in a good condition with the original box and all original certificates of purchase, manuals, and accessories attached.

Components:



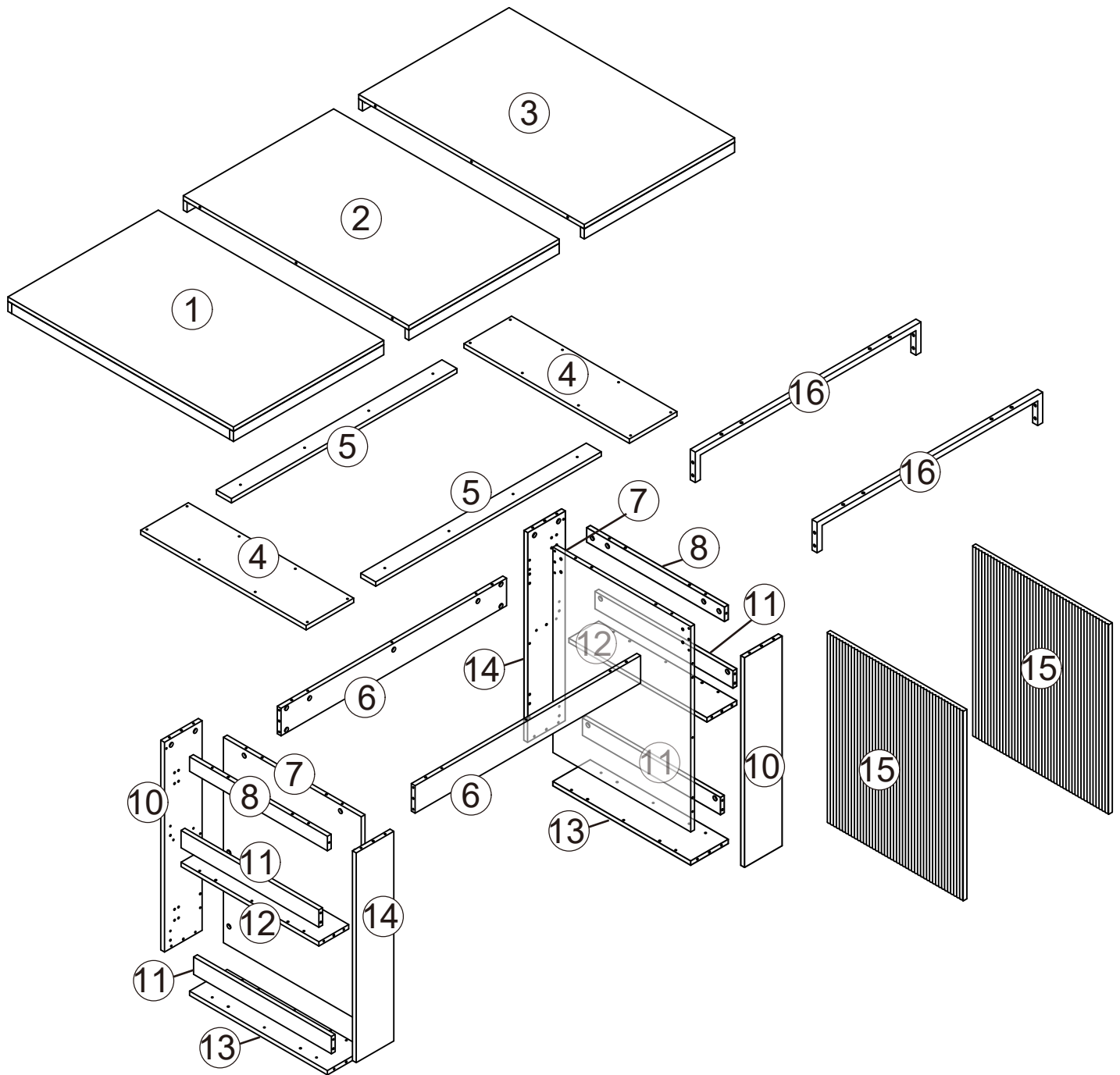
Screws & Tools:

(A)		Ø6x22 mm	16pcs
(B)		Ø8x30 mm	62pcs
(C)		Ø4x22 mm	8pcs
(D)		Ø4x30 mm	18pcs
(E)		Ø6x35 mm	70pcs
(F)		Ø15x9 mm	70pcs

(G)		Ø6x30 mm	16pcs
(H)			4pcs
(I)		Ø3.5x12 mm	40pcs
(J)			4pcs
(K)			2pcs
(L)		Ø4x14 mm	8pcs
(M)			1pc

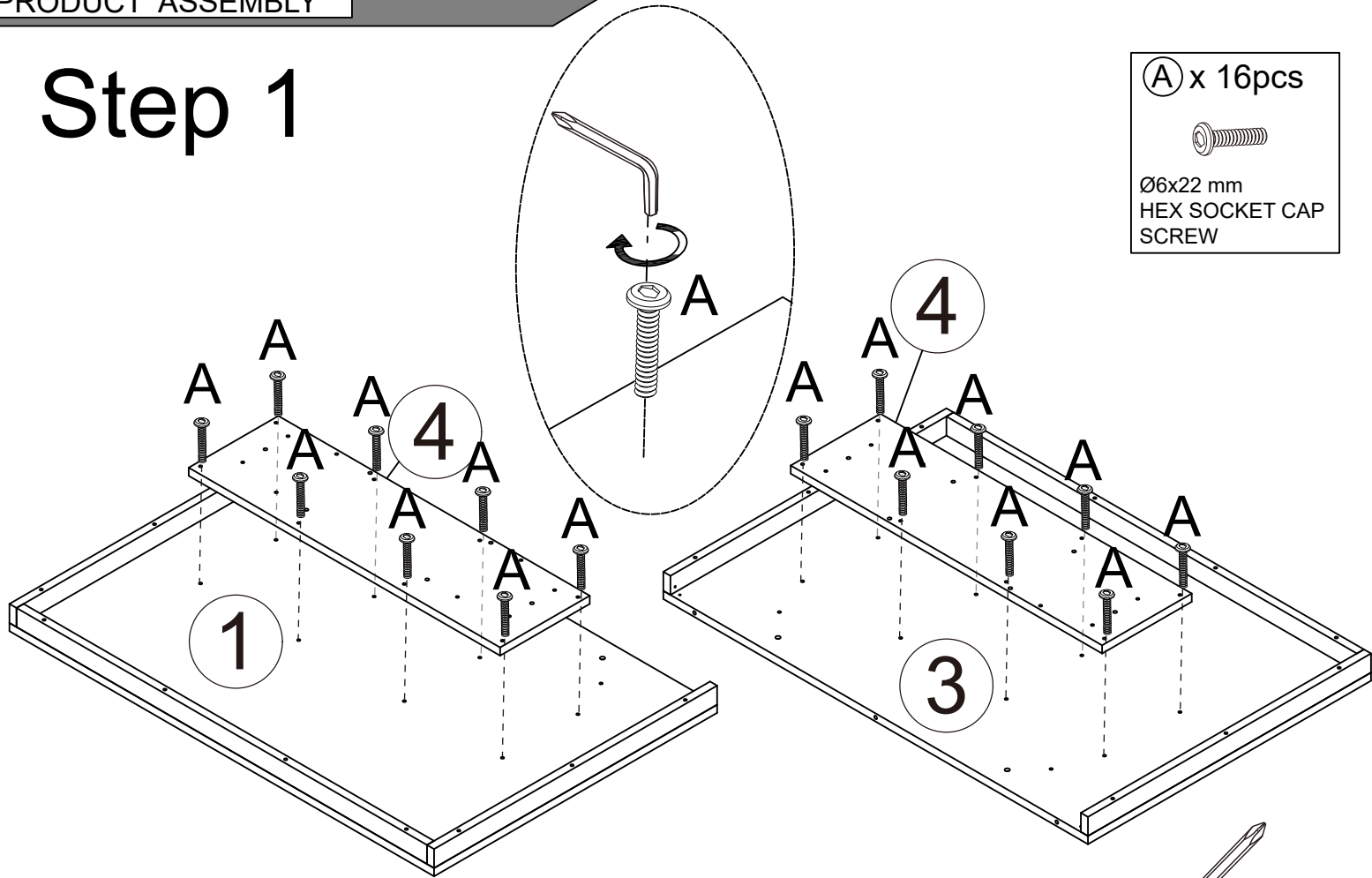
Check all the components & screws before assembly.
Do not install in case part is missing, contact us to get.
Send email with your question to us
We will resend within 24 hours.

Please check that you have all the parts listed below

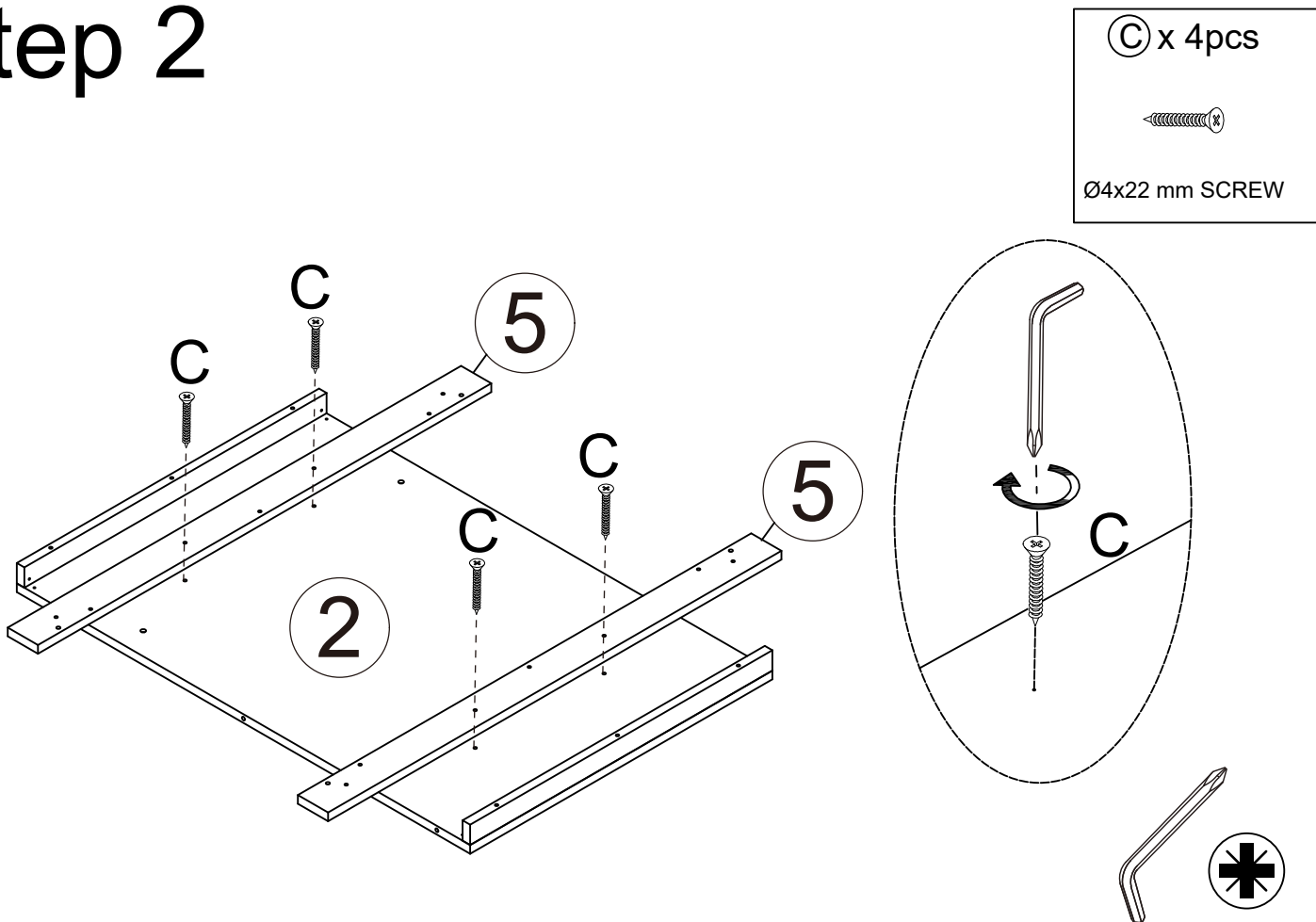


Note: Don't tighten all screws during installation.

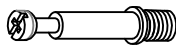
Step 1

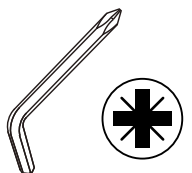
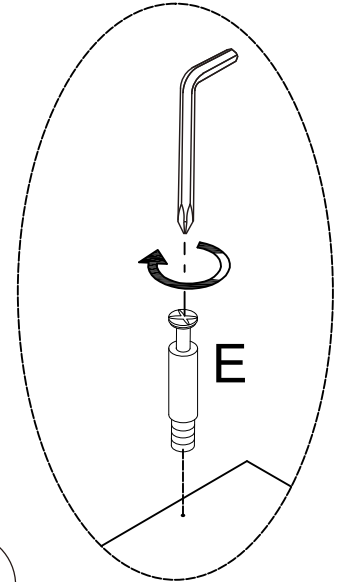
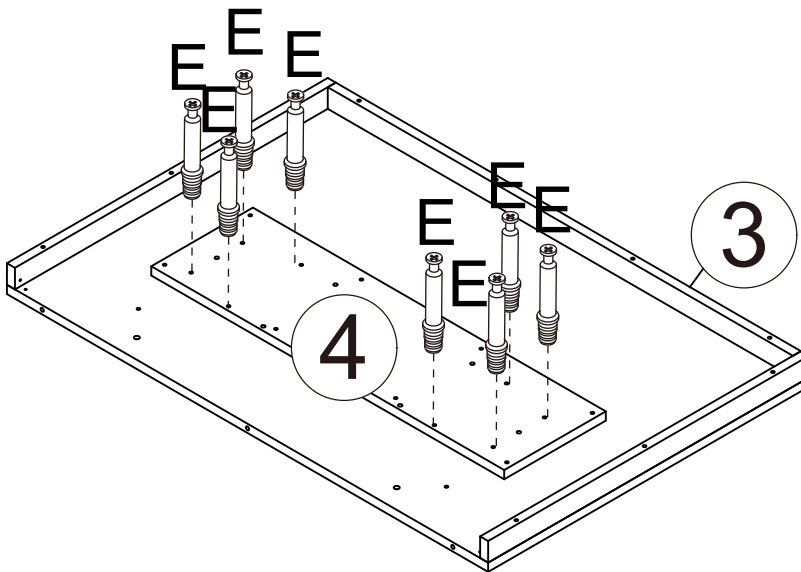
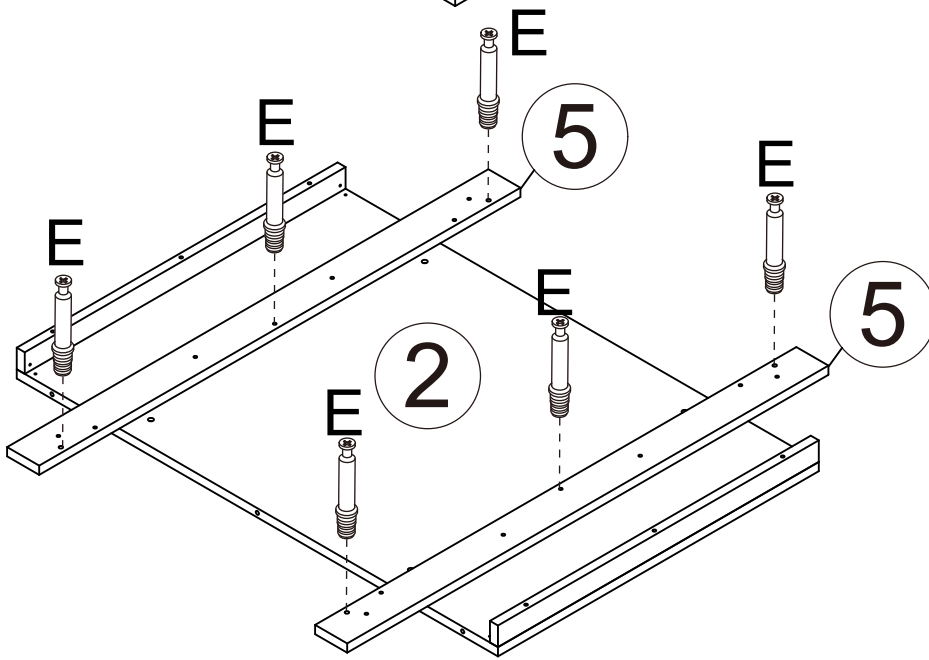
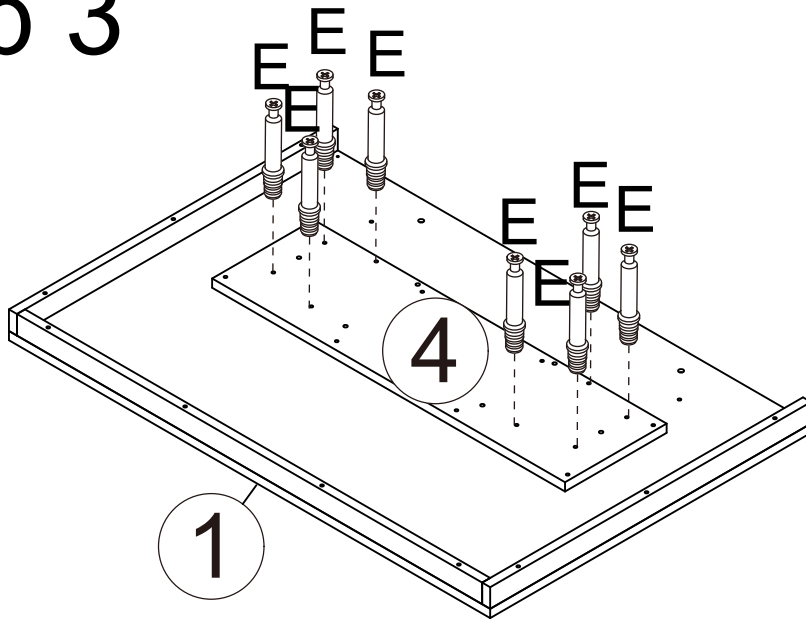


Step 2

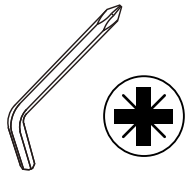
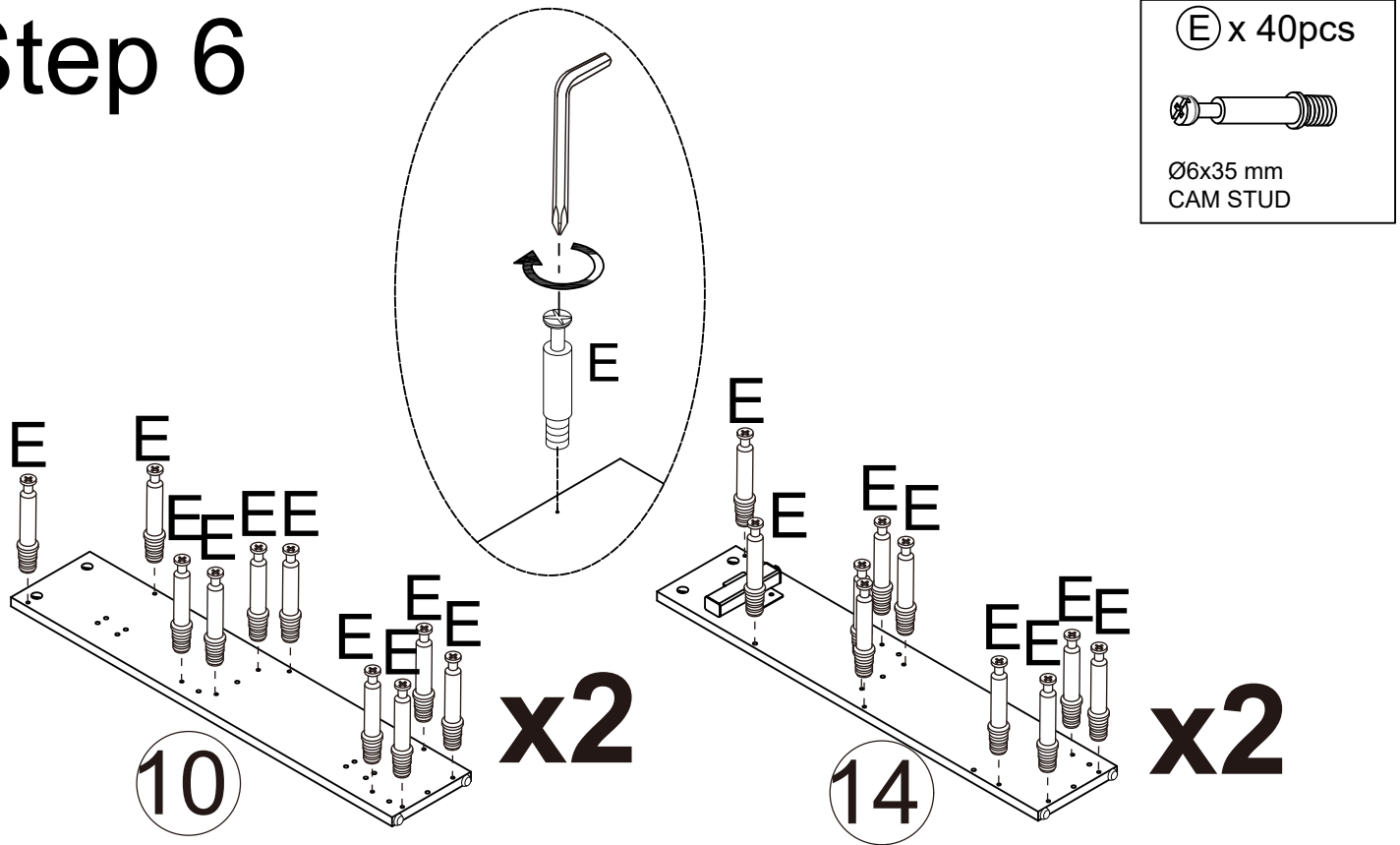


Step 3

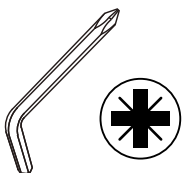
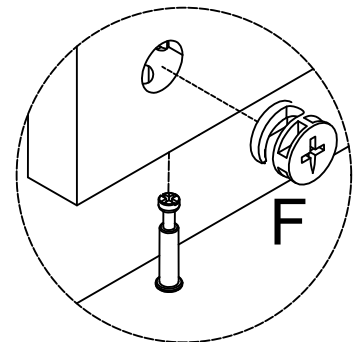
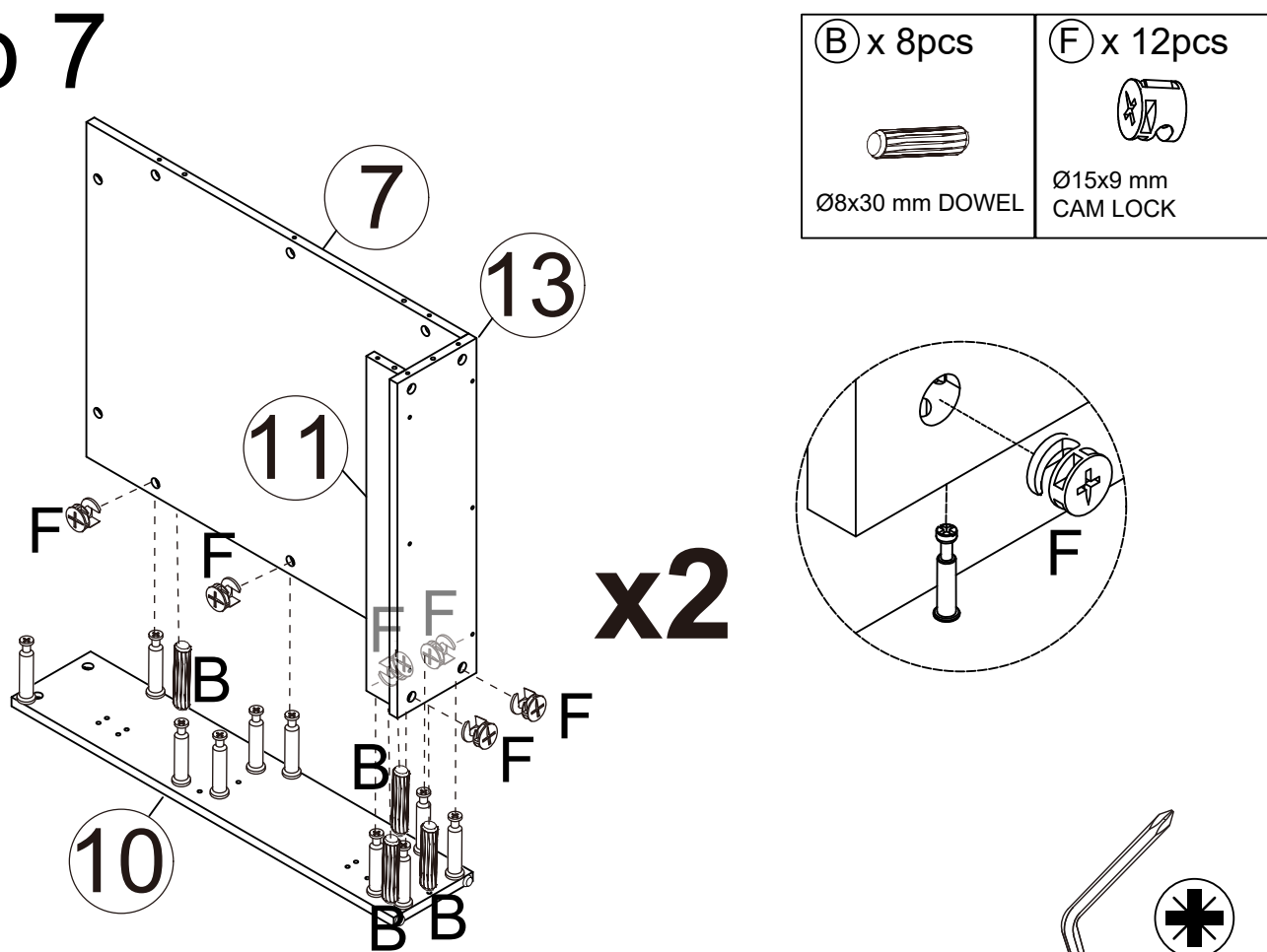
ⓔ x 22pcs

Ø6x35 mm
CAM STUD





Step 6

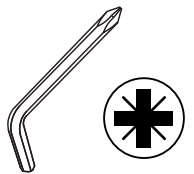
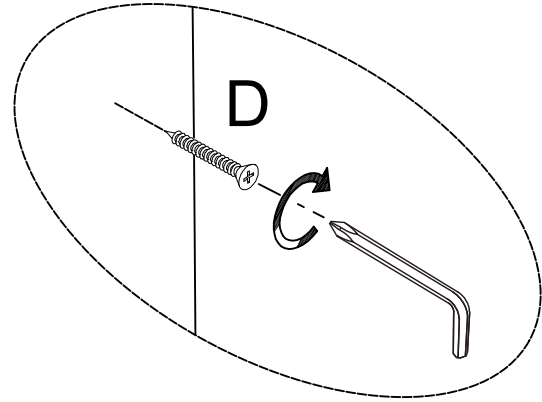
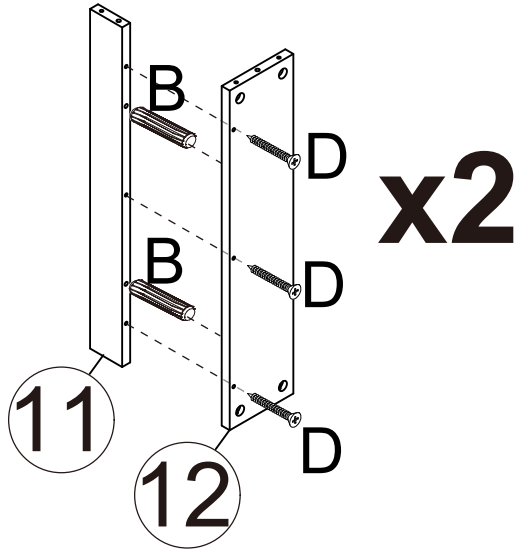


Step 7





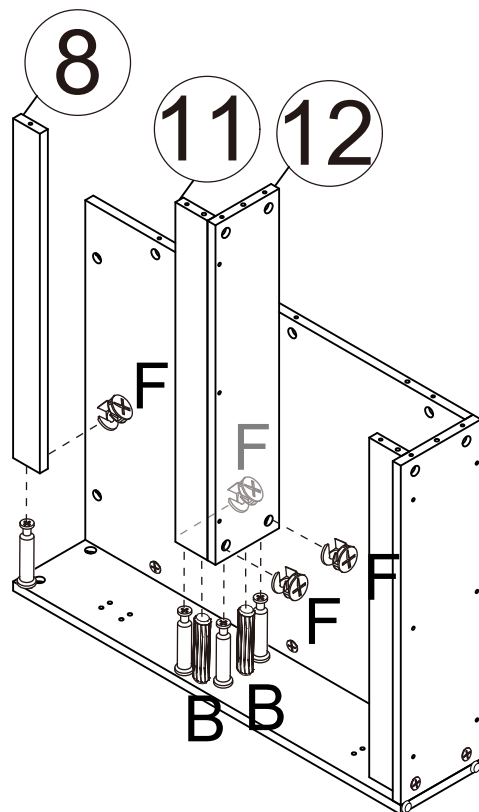
Step 8

(B) x 4pcs  Ø8x30 mm DOWEL	(D) x 6pcs  Ø4x30 mm SCREW
--	--

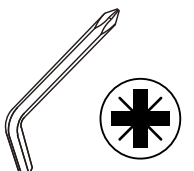
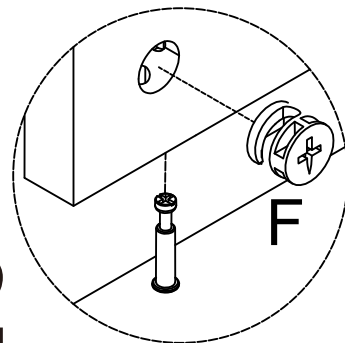


Step 9



(B) x 4pcs  Ø8x30 mm DOWEL	(F) x 8pcs  Ø15x9 mm CAM LOCK
--	---

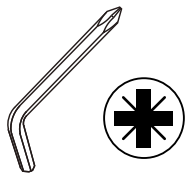
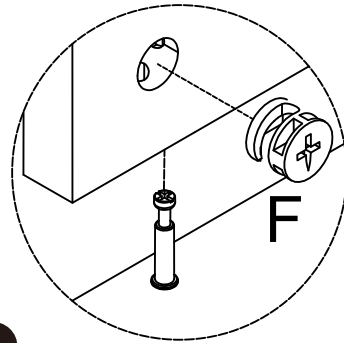
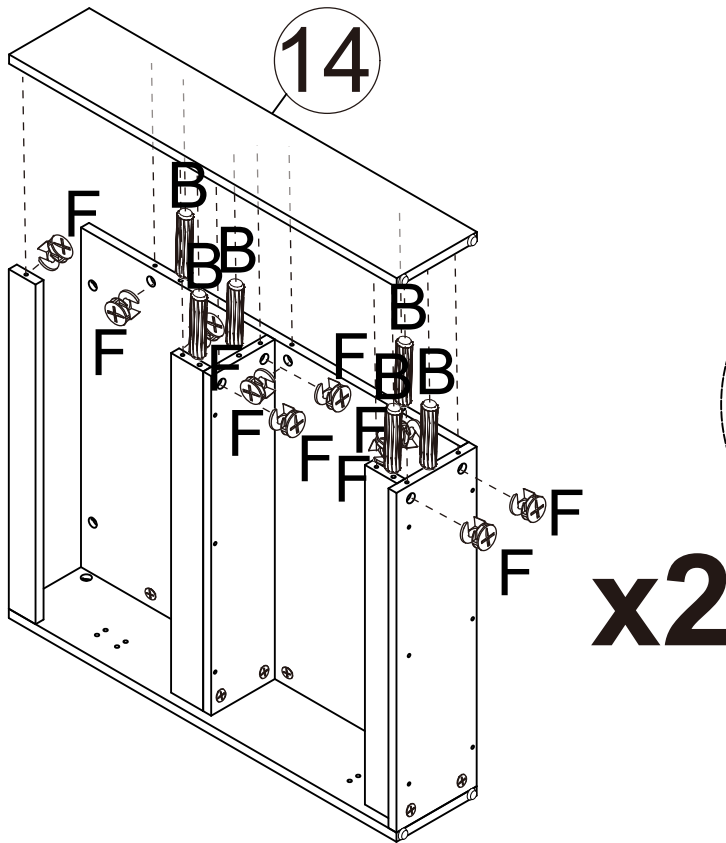


x2





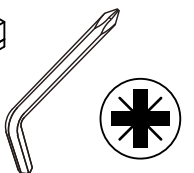
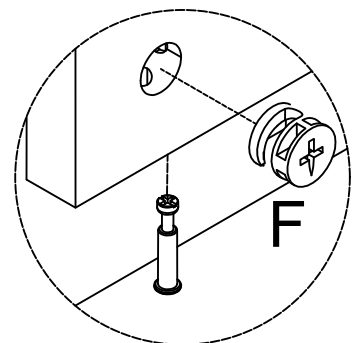
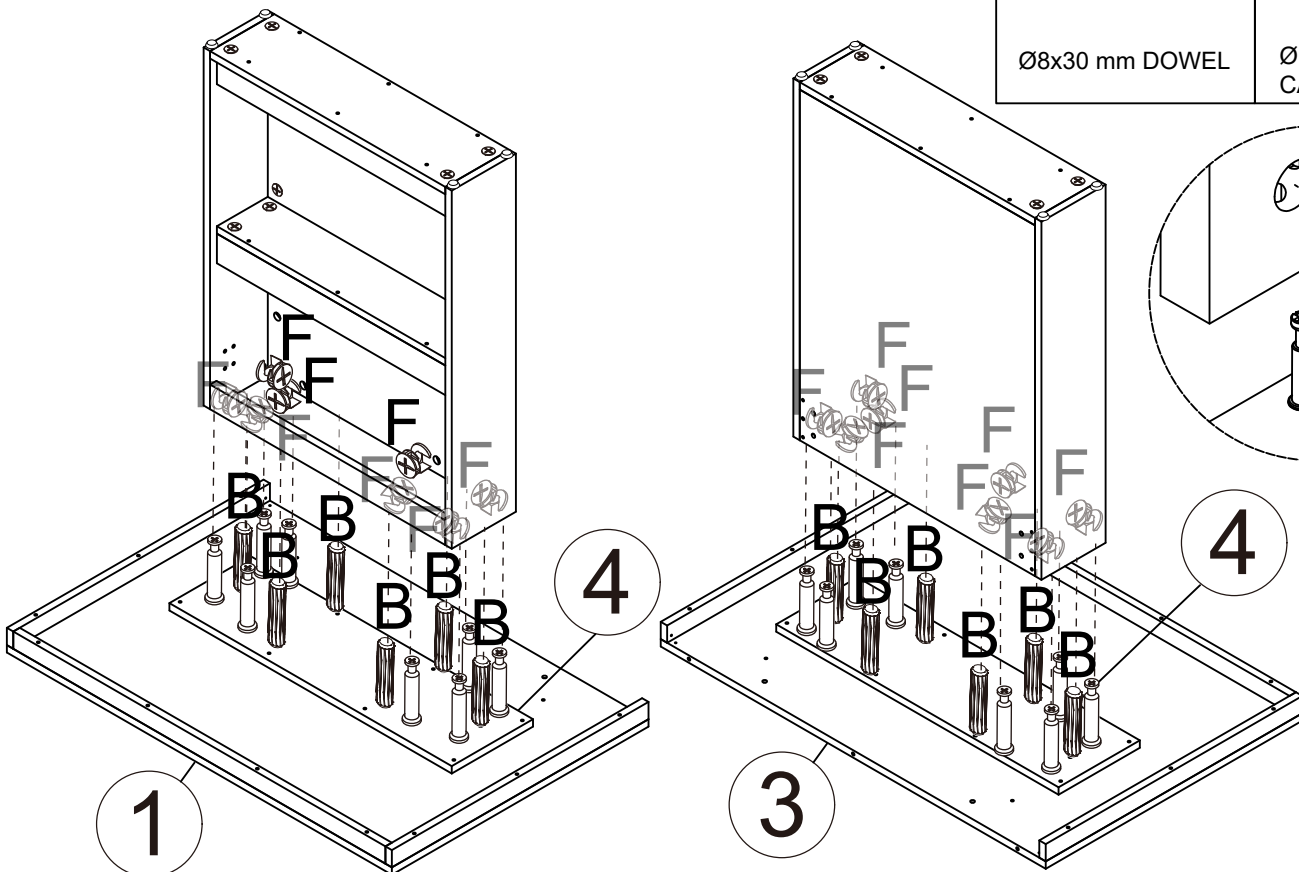
Step 10

<p>(B) x 12pcs</p>  <p>Ø8x30 mm DOWEL</p>	<p>(F) x 20pcs</p>  <p>Ø15x9 mm CAM LOCK</p>
---	--





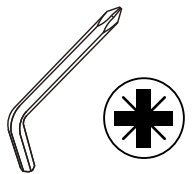
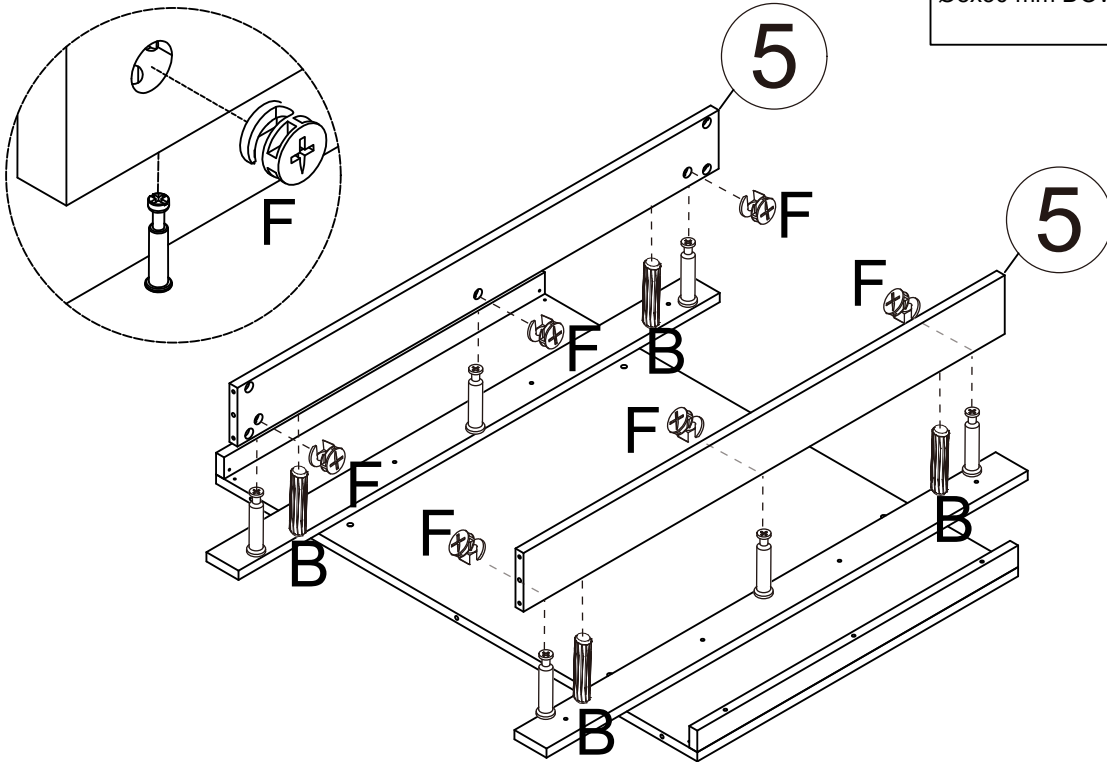
Step 11

<p>(B) x 12pcs</p>  <p>Ø8x30 mm DOWEL</p>	<p>(F) x 16pcs</p>  <p>Ø15x9 mm CAM LOCK</p>
---	--


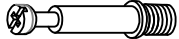



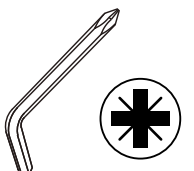
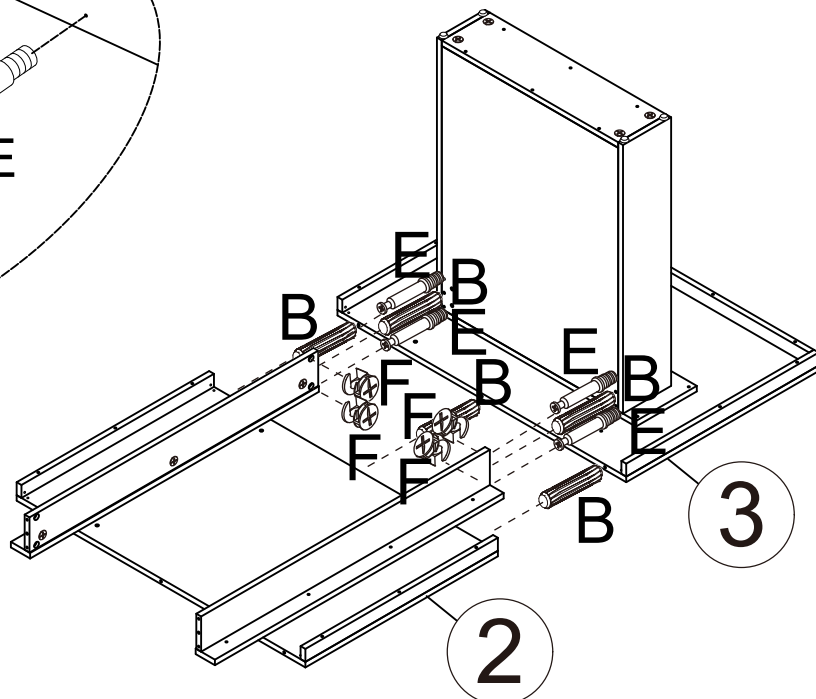
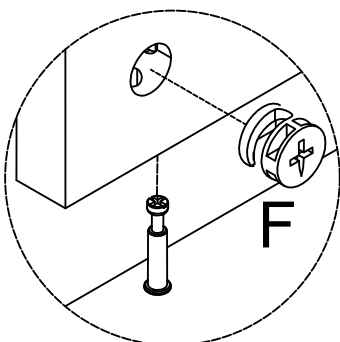
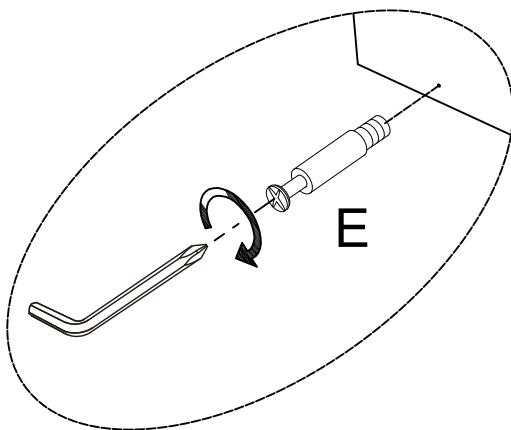
Step 12

<p>(B) x 4pcs</p>  <p>Ø8x30 mm DOWEL</p>	<p>(F) x 6pcs</p>  <p>Ø15x9 mm CAM LOCK</p>
--	---



Step 13

<p>(B) x 5pcs</p>  <p>Ø8x30 mm DOWEL</p>	<p>(E) x 4pcs</p>  <p>Ø6x35 mm CAM STUD</p>	<p>(F) x 4pcs</p>  <p>Ø15x9 mm CAM LOCK</p>
---	---	---

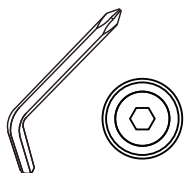
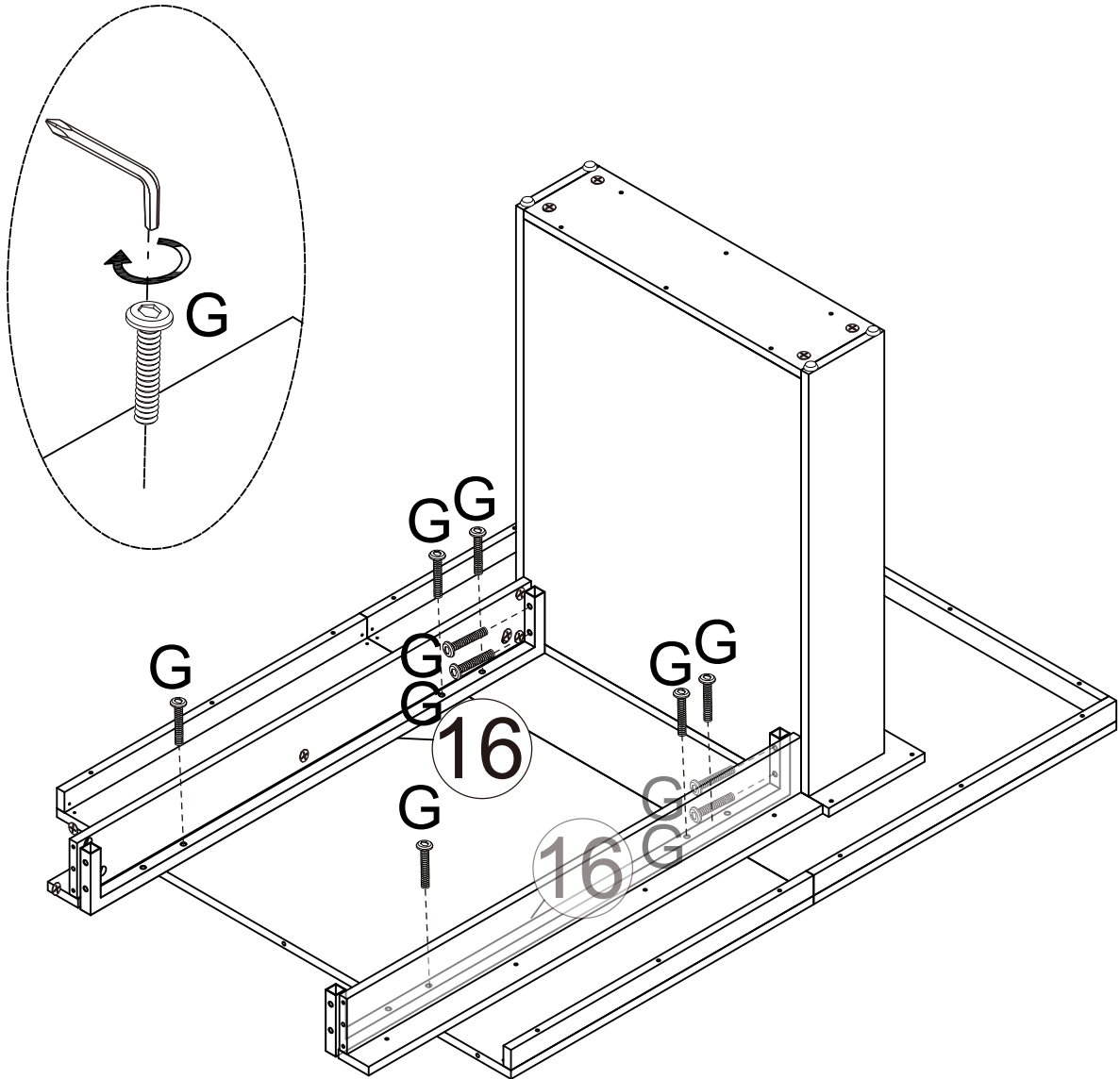


Step 14



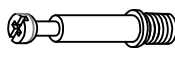

G x 10pcs

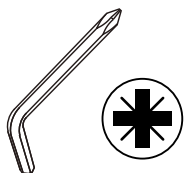
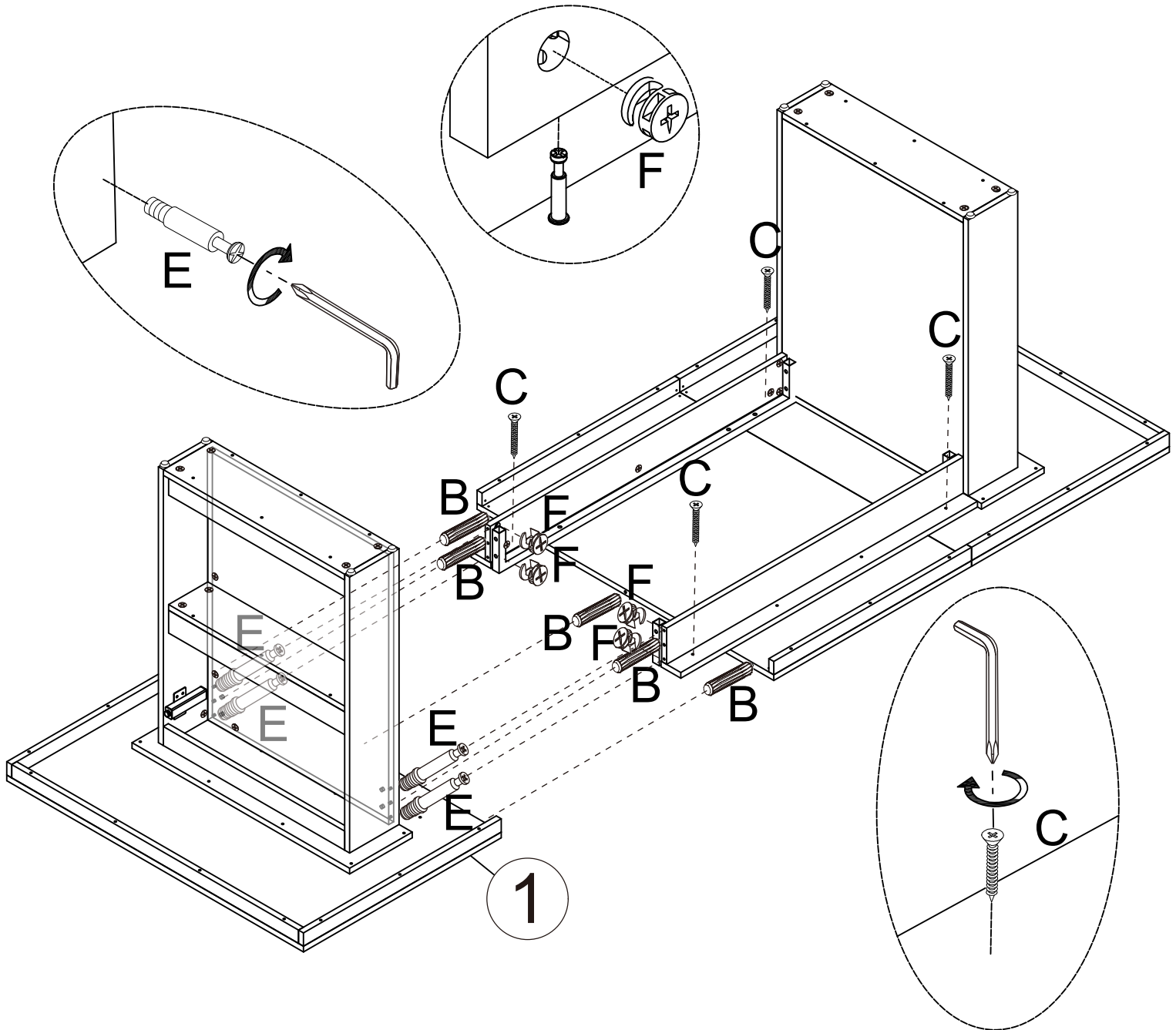


Ø6x30 mm
HEX SOCKET CAP
SCREW




Step 15

<p>(B) x 5pcs</p>  <p>Ø8x30 mm DOWEL</p>	<p>(C) x 4pcs</p>  <p>Ø4x22 mm SCREW</p>	<p>(E) x 4pcs</p>  <p>Ø6x35 mm CAM STUD</p>	<p>(F) x 4pcs</p>  <p>Ø15x9 mm CAM LOCK</p>
--	--	---	---

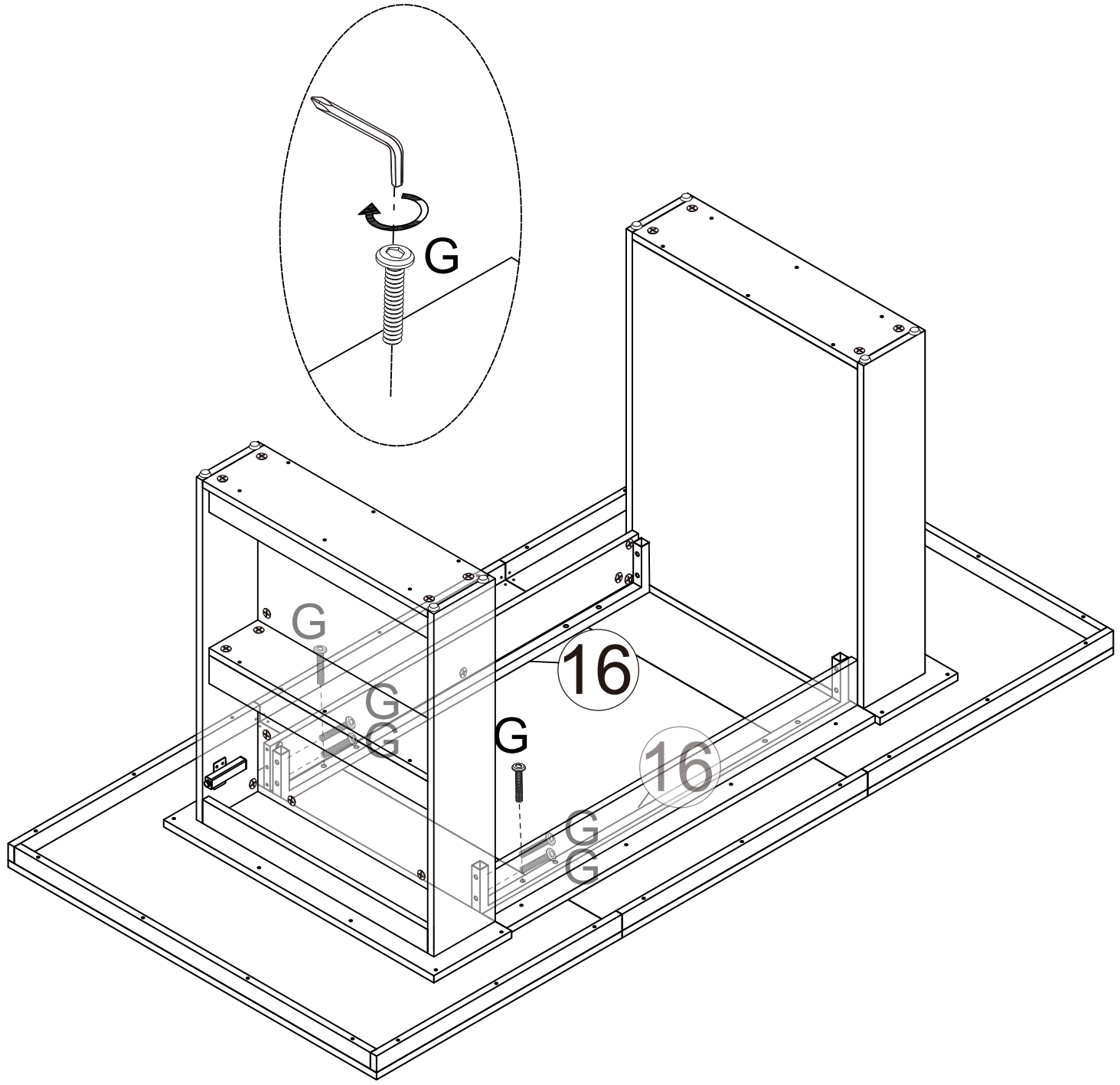


Step 16

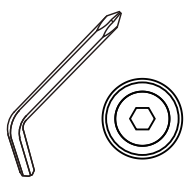
ⓐ x 6pcs



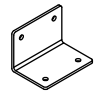

Ø6x30 mm
HEX SOCKET CAP
SCREW

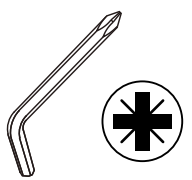
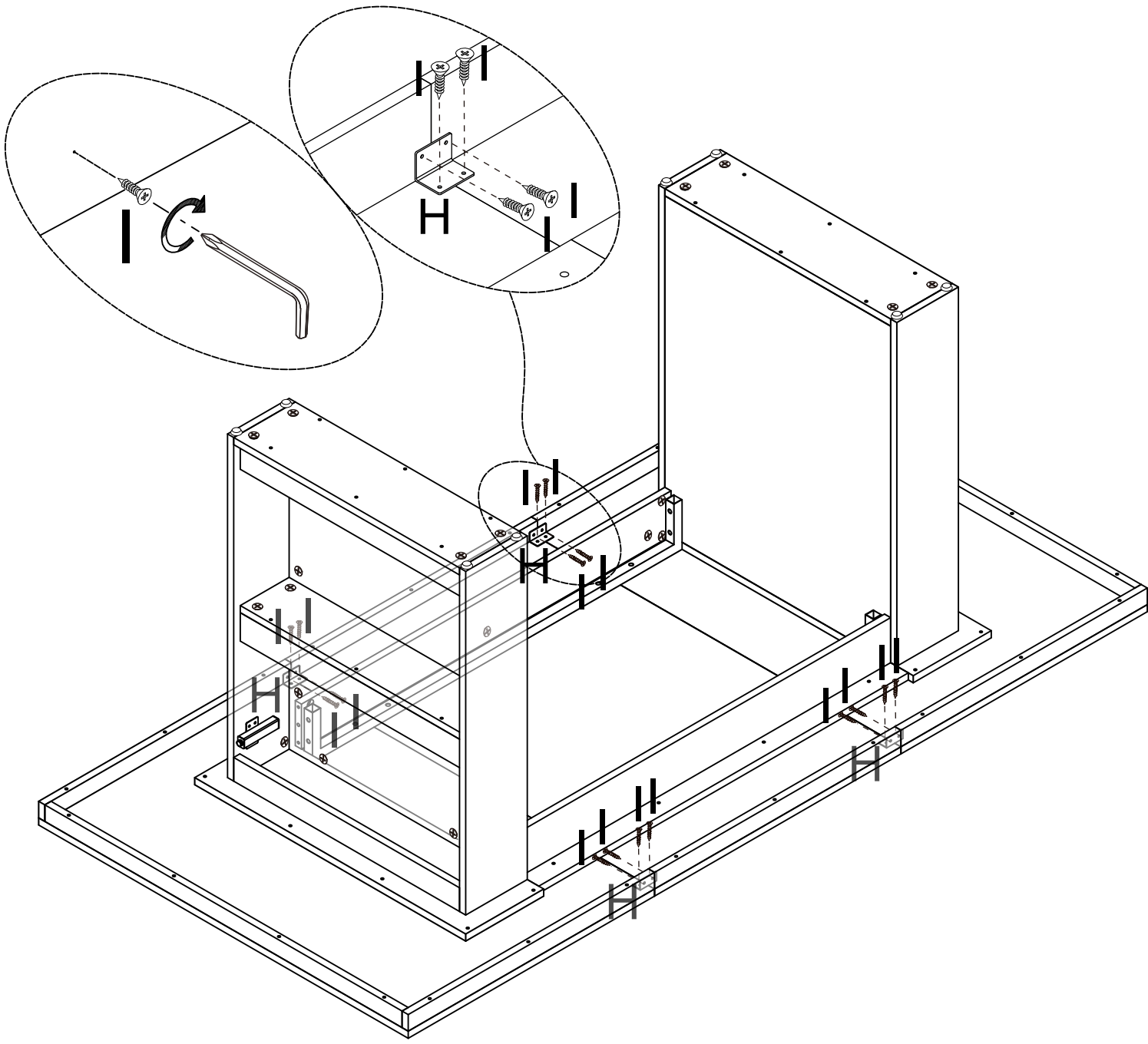


Note: Please tighten the hex sockets cap screw from the first step.


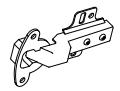


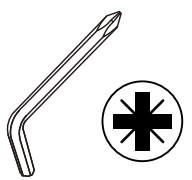
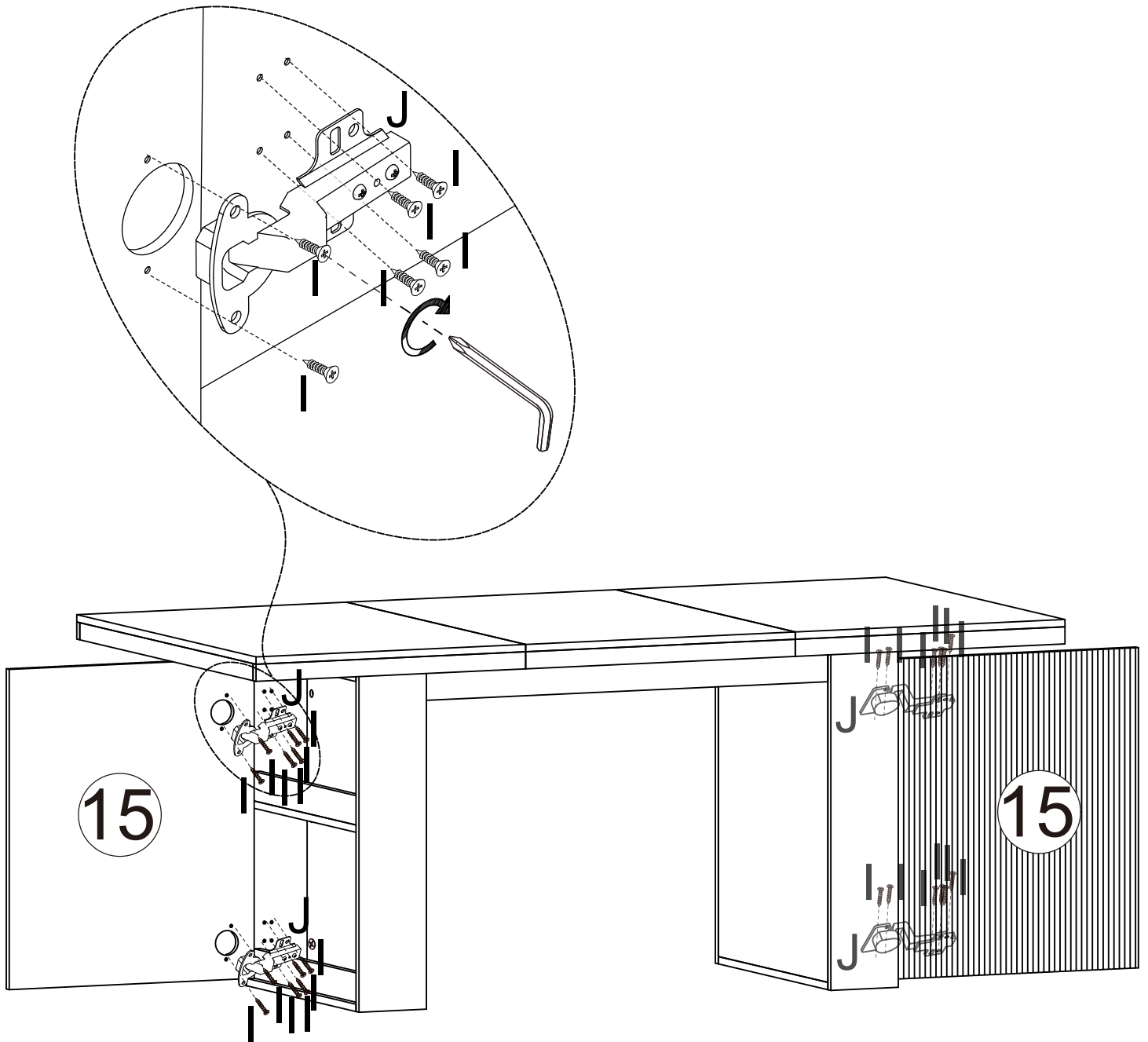
Step 17

<p>(H) x 4pcs</p>  <p>CLEAT</p>	<p>(I) x 16pcs</p>  <p>Ø3.5x12 mm SCREW</p>
--	--

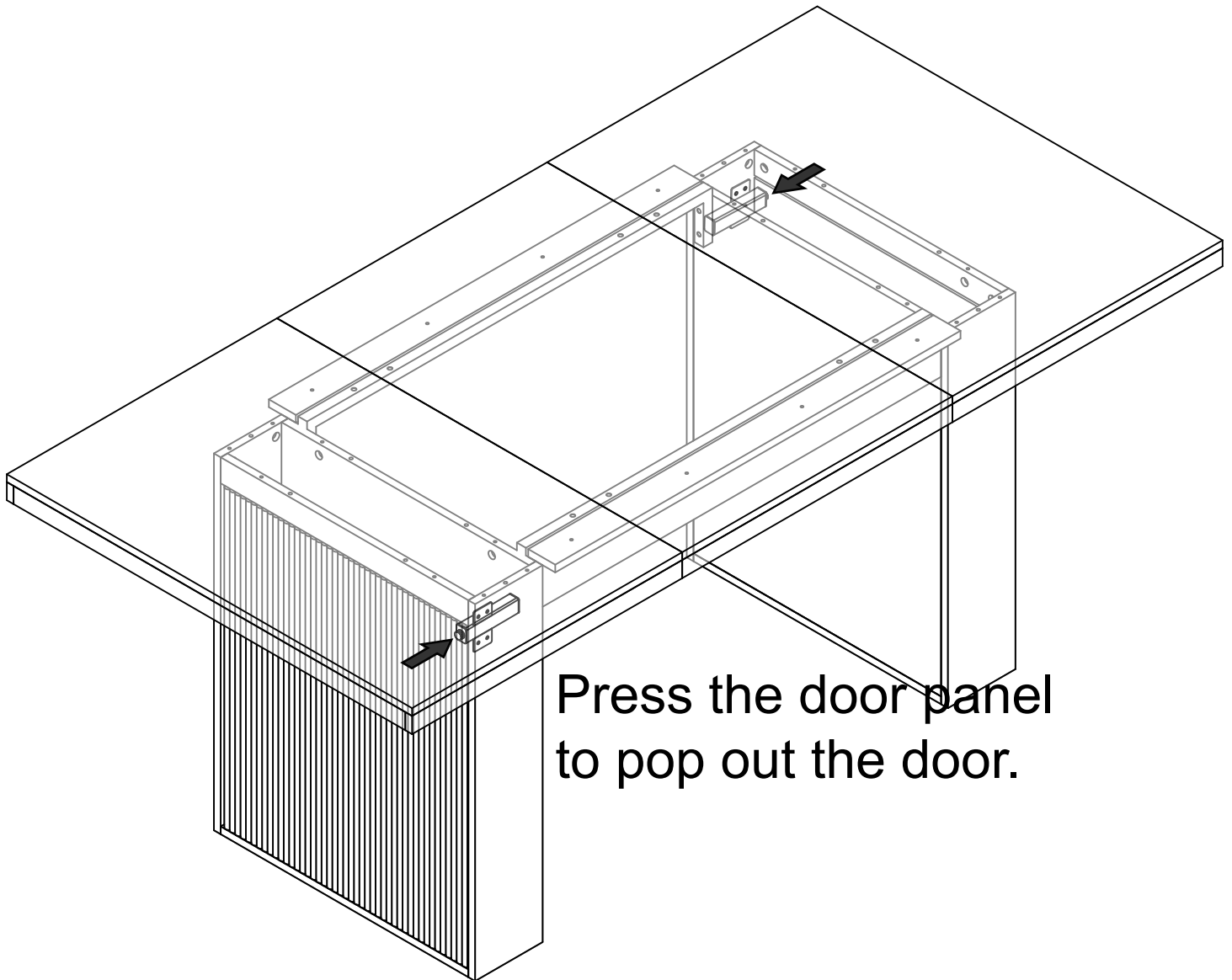
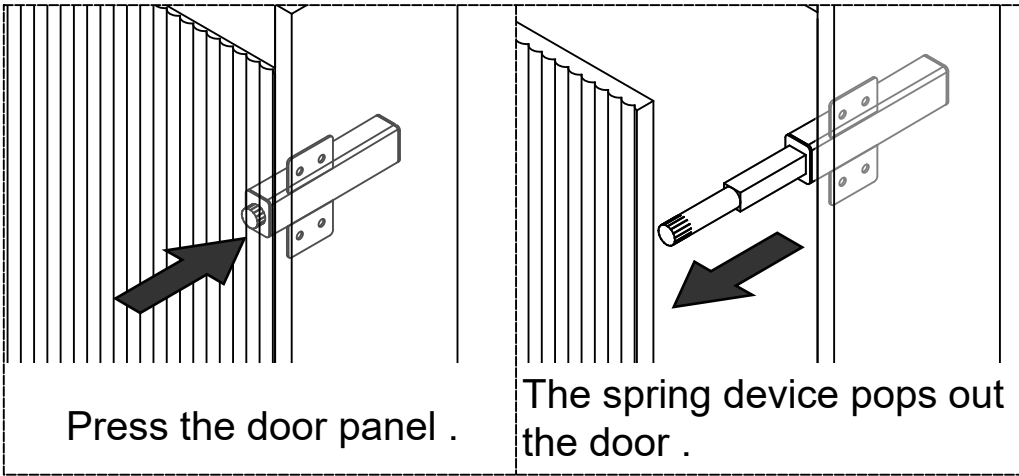


Step 18

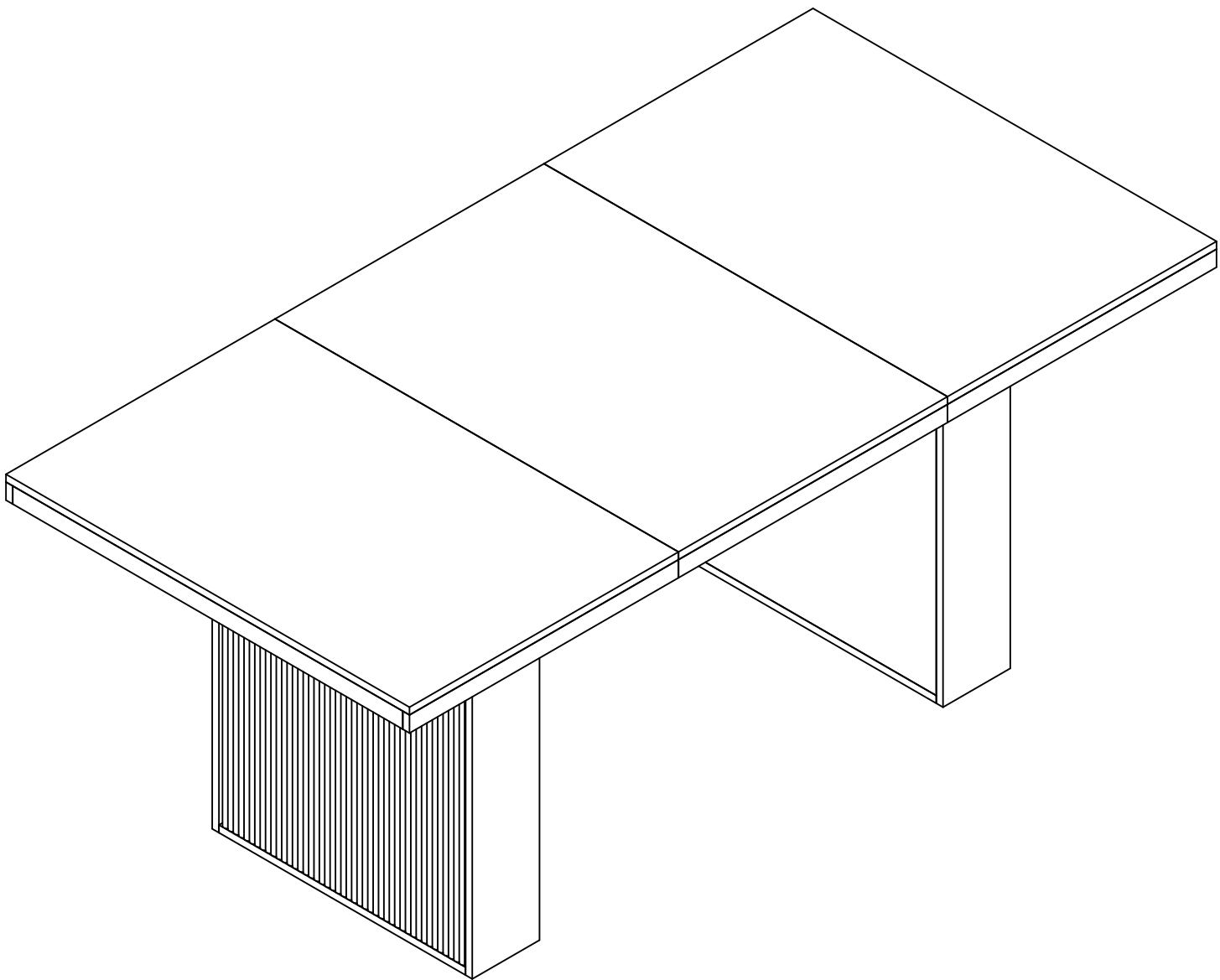
<p>Ⓛ x 24pcs</p>  <p>Ø3.5x12 mm SCREW</p>	<p>Ⓧ x 4pcs</p>  <p>HINGE</p>
--	--



Step 19



Step 20



Dear customer, thank you for purchasing Idealhouse products! We are proud to present our customers with high quality products!



If you have any product quality or use problems, please contact our customer service by email, we will ensure your satisfaction.



If you are satisfied with our products, please share your amazing experience with us and other customers! It would be our honor to hear from you!

Limited Liability & Warning

No Unauthorized Modifications/Repairs: Do not modify or attempt to repair this product unless you are an authorized technician. Unauthorized actions may create hazards and void all warranties

Misuse & Non-Compliance: We are not liable for any injury, damage, or loss resulting from:

- (a) misuse, abuse, neglect, or improper installation;
- (b) failure to follow instructions or safety precautions;
- (c) use of unauthorized parts/accessories;
- (d) unauthorized modifications/repairs;
- (e) accidents, natural disasters, or external causes.

If you doubt any step of installation or operation, stop using the product and contact authorized service or the customer support.

LIMITACIÓN DE RESPONSABILIDAD Y ADVERTENCIA

Modificaciones o Reparaciones No Autorizadas: NO modifique ni intente reparar este producto a menos que sea un técnico autorizado. Las acciones no autorizadas pueden generar riesgos y anularán todas las garantías.

Uso Indevido e Incumplimiento: No asumimos responsabilidad alguna por lesiones, daños o pérdidas que resulten de:

- (a) uso indebido, abuso, negligencia o instalación incorrecta;
- (b) incumplimiento de las instrucciones o precauciones de seguridad;
- (c) uso de piezas o accesorios no autorizados;
- (d) modificaciones o reparaciones no autorizadas;
- (e) accidentes, desastres naturales o causas externas.

Si tiene dudas sobre algún paso de la instalación o el funcionamiento, deje de usar el producto y póngase en contacto con el servicio técnico autorizado o con atención al cliente.