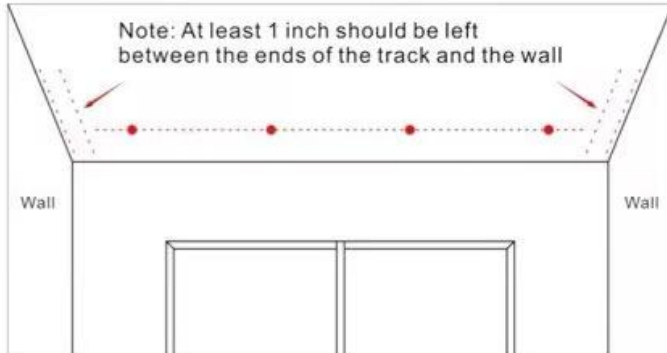


# INSTALLATION INSTRUCTIONS

## Instructions for Straight Curtain

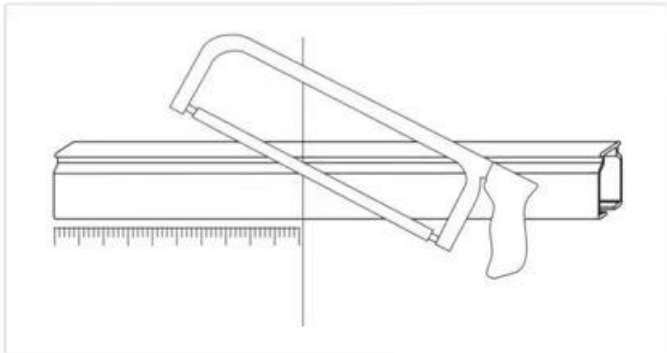
### Step1. Measuring

Measure the ceiling or wall to determine the exact length of your track.



### Step2. Cut

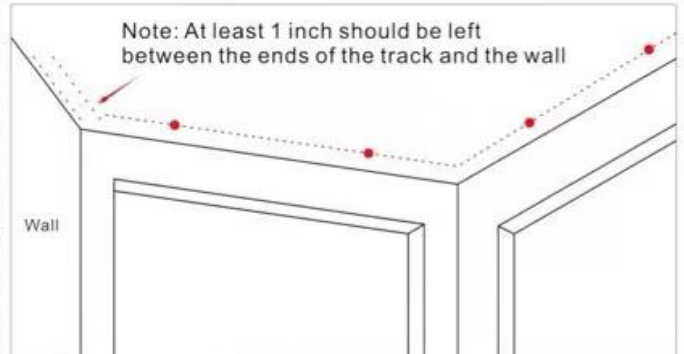
Cut the track to the required length with the saw in the package.



## Instructions for 90° Cornered Curtain

### Step1. Measuring

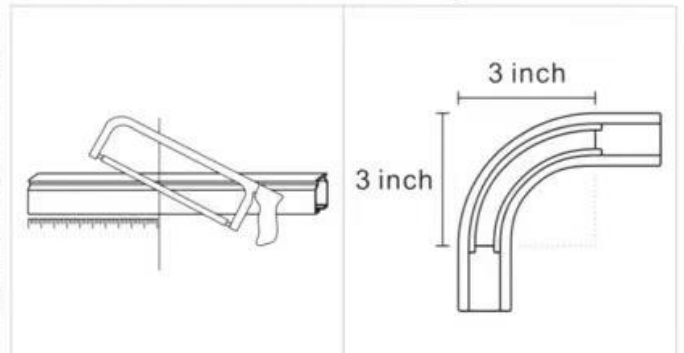
Measure the ceiling or wall to determine the exact length of your track.



### Step2. Cut

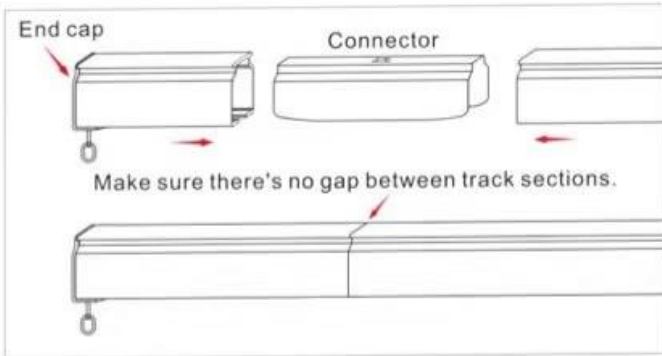
Cut the track to the required length with the saw in the package.

Please ensure to allow for the dimensions of the corner connector when measuring.



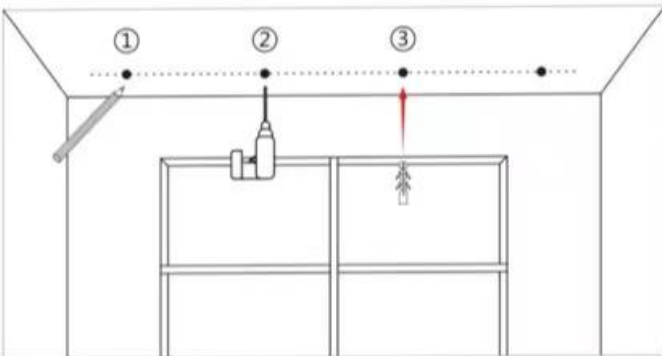
### Step3. Spice tracks

- 3-1. Attach an end cap on the first section of tracks, then splice the tracks with connectors.
- 3-2. Place the slider into the track and install the end cap on the other end



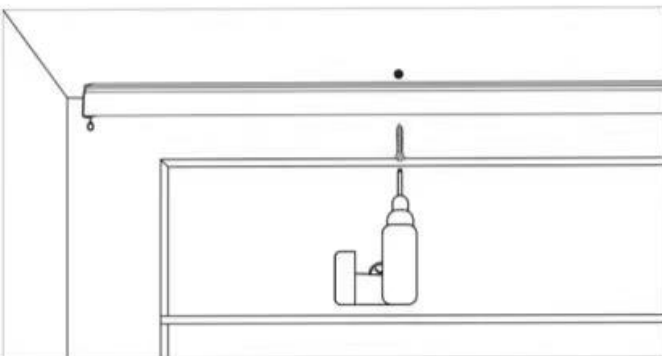
### Step4. Drilling

Mark the position of the mounting hole in the track, after drilling, insert the plastic anchors.



### Step6. Install the tracks

Install the track to the ceiling with screws



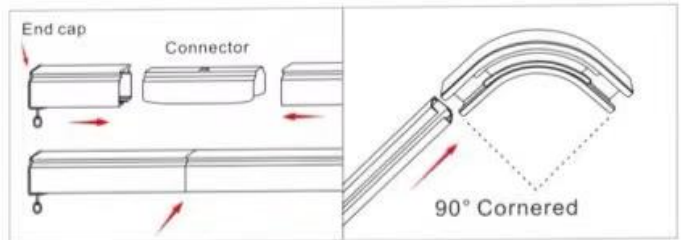
### Step7. Hang on curtain(s)

Hang your curtain(s) on the hooks.



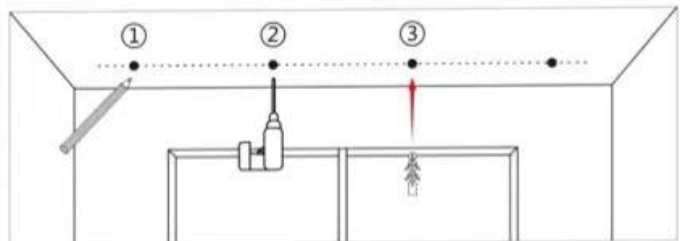
### Step3. Spice tracks

- 3-1. Attach an end cap on the first section of tracks, then splice the tracks with straight connectors.
- 3-2. Insert one side track into the corner connector until it can't move forward.
- 3-3. Make sure there's no gap between track sections.



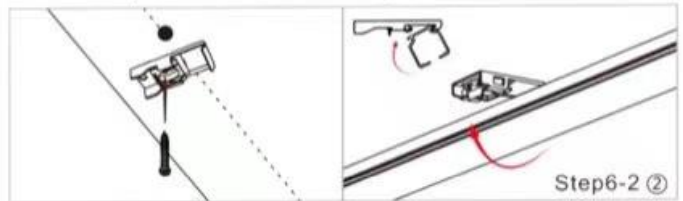
### Step4. Drilling

Mark the position of the mounting hole in the track, after drilling, insert the plastic anchors.



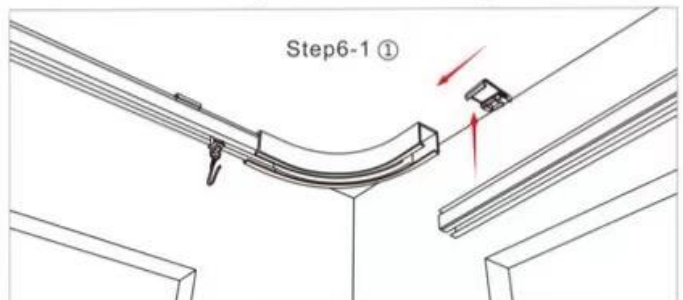
### Step5. Install the brackets

Fix the top brackets to ceiling with the screws.



### Step6. Install the tracks

- 6-1. Insert one side of the track with the corner connector into the ceiling brackets ①
- 6-2. Push the other side of the track into the corner connector and snap it into the ceiling brackets ②



### Step7. Hang on curtain(s)

Hang your curtain(s) on the hooks.

