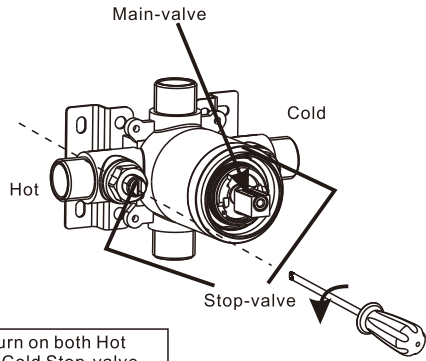
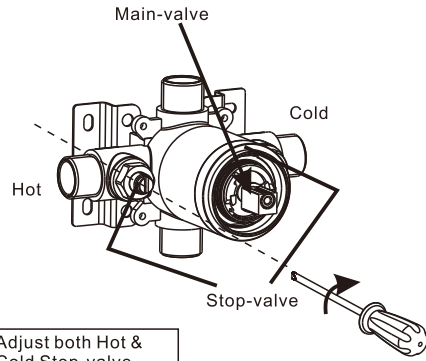


Picture 1



Turn on both Hot & Cold Stop-valve to full-open Position.

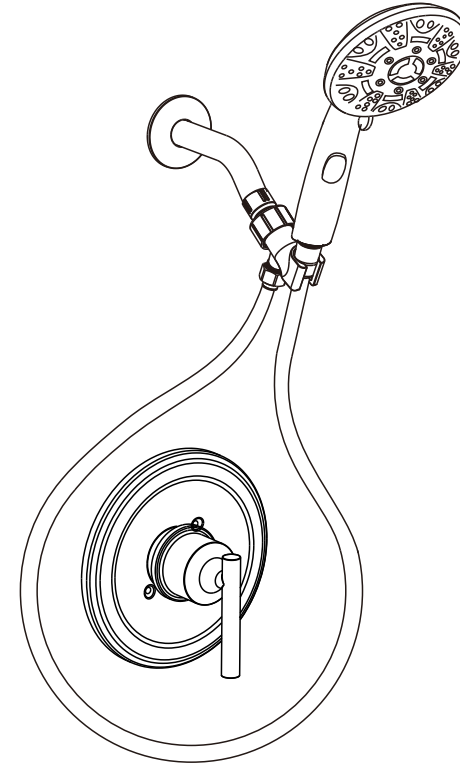
Picture 2



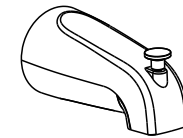
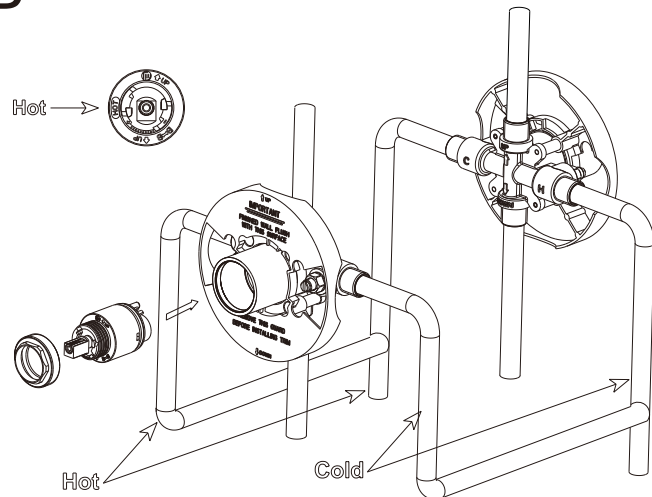
Adjust both Hot & Cold Stop-valve (Clockwise) half turn.

How to solve the issue of Spout & Shower running in the same time?

1. Disassemble the Handle & Escutcheon;
2. Make sure the Hot/Cold Stop-valve in Turn-on & also to full-open position (adjust by Phillips screwdriver), see below (Picture 1)
3. Turn on the Main-valve with Spout function, if the shower still dripping then, use screw driver to adjust both Hot & Cold Stop-valve (Clockwise) half turn, see below (Picture 2)
4. If the Shower keep dripping, try another half turn for both Hot & Cold side Stop-valve by Clockwise position.



B ↔ B



You may need to purchase:
 1/2" Female Threaded to
 1/2" PEX adapters
 1/2" PEX and Copper Couplings
 Crimp Rings
 1/2" Copper and PEX Tubing
 Torch and Lead-free Solder Kit

Safety tips

To avoid crushing and cutting injuries during assembly , gloves must be worn.
 This product is only allowed for bath , hygiene and cleansing purposes.
 Excessive pressure differences between hot and cold water pipes must be balanced.

Installation tips

Before installation , the product must be inspected for transportation damage.
 After installation , transportation damage or surface scratches will not be recognized.
 Pipes and valves must be installed , flushed , and inspected in accordance with common standards.
 Please observe the current installation regulations in your country.
 Use the relief valve only as specified .
 Do not fix semi-dew columns and other components to the relief valve.
 Do not use silica gel containing acetic acid during installation!

Technical parameters

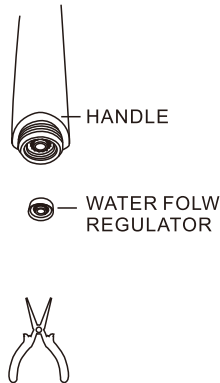
Working pressure : max.1 Mpa
 Recommended working pressure:0.1-0.5 Mpa
 Test pressure:1.6 Mpa (1Mpa=10bar=145 PSI)
 Hot water temperature : up to 70°C
 Recommended temperature:upto65°C
 Thermal disinfection:max70°C/4minutes

Tips

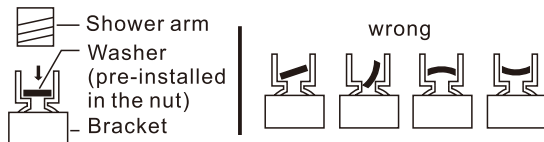
- 1.Before installing the faucet , the debris in the pipeline must be washed away to avoid the pipeline being blocked.
- 2.Make sure that the pipes are left hot and right cold.

As mandated by U.S. federal law , this hand shower and showerhand is equipped with water flow regulator that limits maximum water flow to 1.8 GPM (6.8 liters) per minute at 80 psi water pressure .

In areas with extremely low water pressure causing the shower water flow to be unsatisfactory , the flow regulator may be removed to improve the water flow in the shower head.
 Using screwdriver point or long nose pliers, pull out Water Regulator located inside Shower Handle

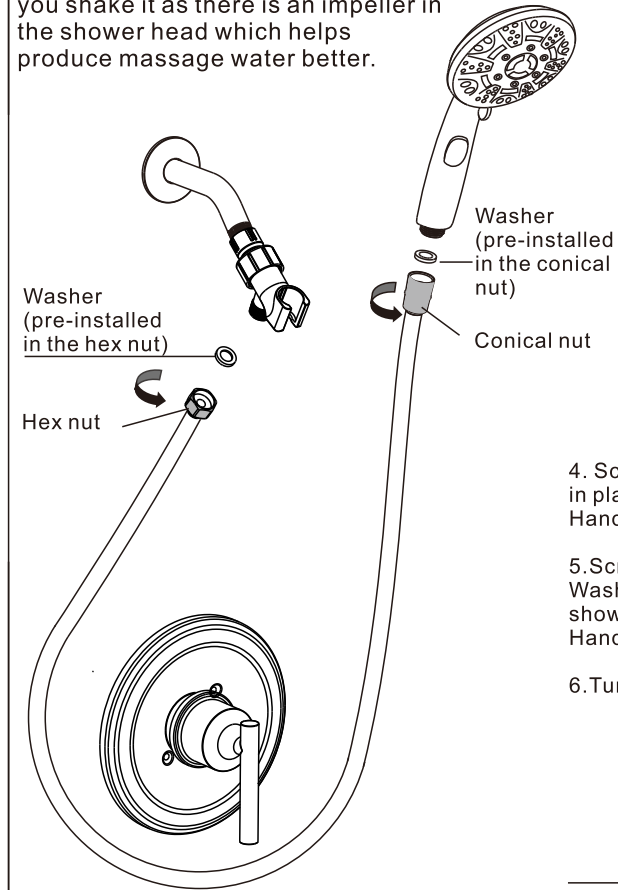


Washer must stay **FLAT** and **STRAIGHT** inside Connection Nut .
 Turn on water to check for leakage.

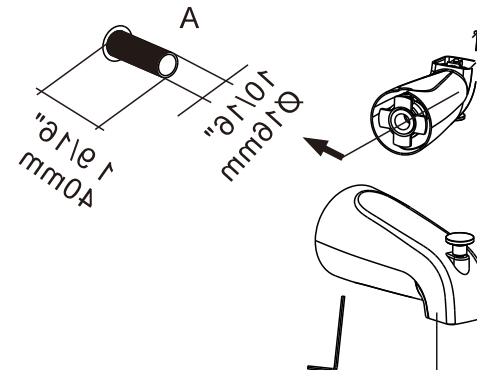


Notes:

It is normal to hear some voice when you shake it as there is an impeller in the shower head which helps produce massage water better.

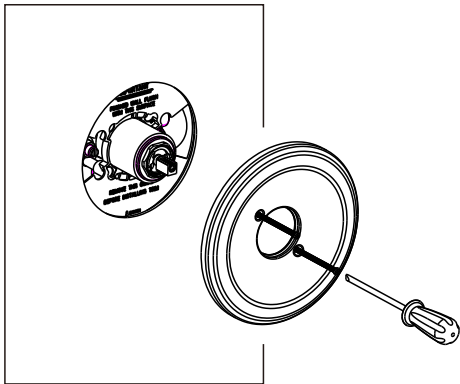


4. Screw hex nut with Hose Washer in place onto Bracket Outlet . Hand tighten connection
- 5.Screw Conical nut with Hose Washer in place onto handheld shower. Hand tighten connection.
- 6.Turn on water to check for leakage.

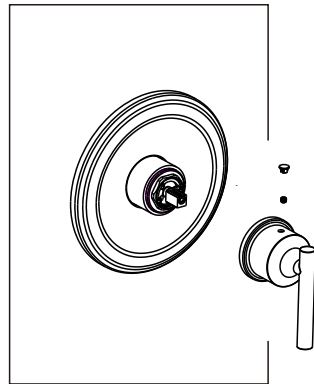


Install the bathtub spout on the water pipe as the picture.

Notice:
 Before install the bathtub spout please be sure to polish the edge (Location A) of the copper pipe with sand paper, lest the copper pipe is too sharp to damage the inner sealing ring of the bathtub outlet.

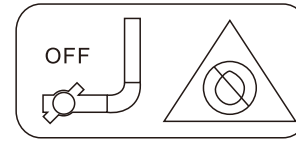


A. Reinstall the cartridge ,
then install the panel on the valve.
B. install the valve trim by screwdriver.



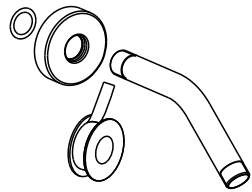
C. Install the handle with Allen key as
below picture

As shown in the figure, please close the main valve of
Entrance water pipe.



Drill three holes in the wall

according to the drawing:
A: Pressure balance valve hole
B: Top spray hole
C: Bathtub spout hole

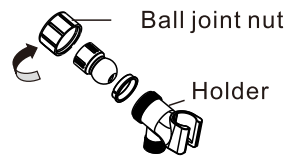
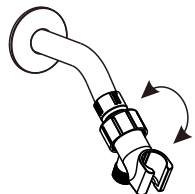


1. Install the cover, shower arm
and shower head as below
Apply teflon tape in a clockwise
direction to all threaded connections.



2. Make sure Thick Washer is positioned
FLAT and STRAIGHT inside Connection
Nut of Bracket.
Hand tighten Connection Nut onto
Shower Arm.

WARNING: DO NOT OVERTIGHTEN.



3. To Set Hand Shower Angle Loosen Ball Joint Nut and Rotate Holder to desired position,
then tighten Ball joint Nut. Turn on water to check for leakage.

