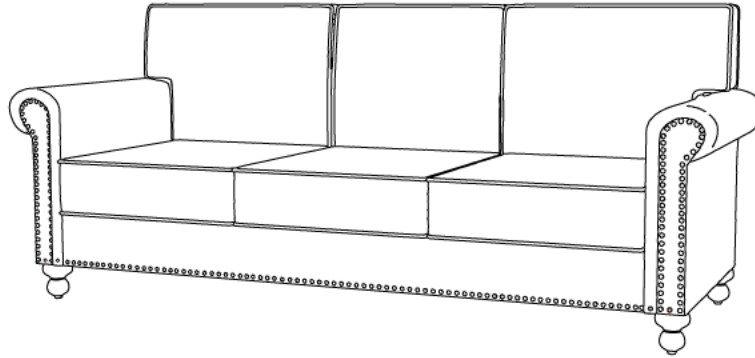
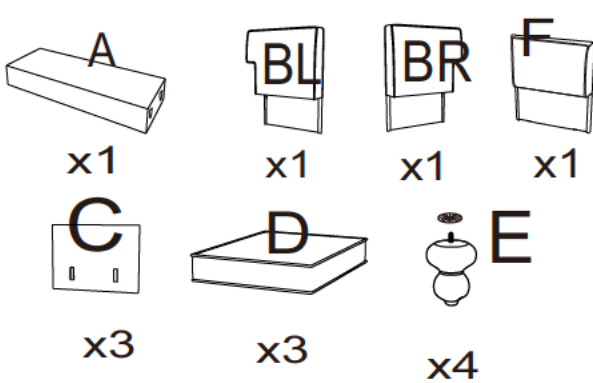


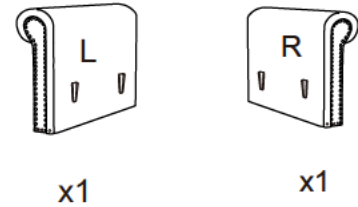
ASSEMBLY INSTRUCTION



PARTS LIST

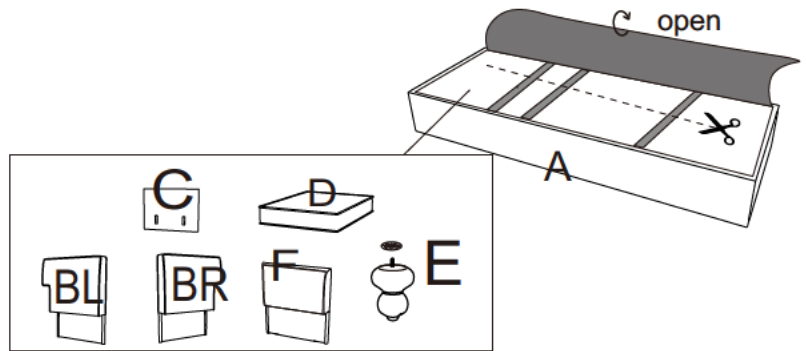


BOX-1



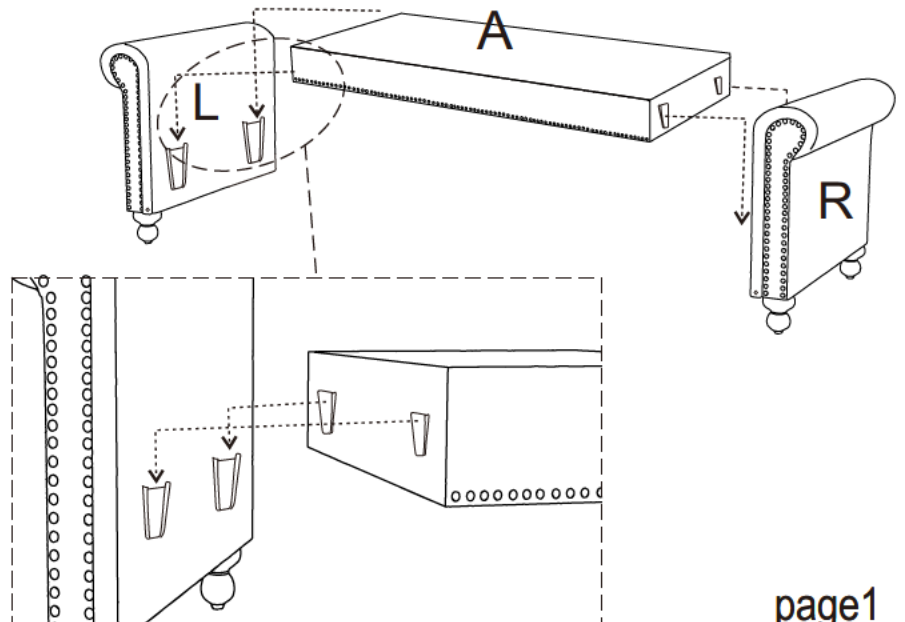
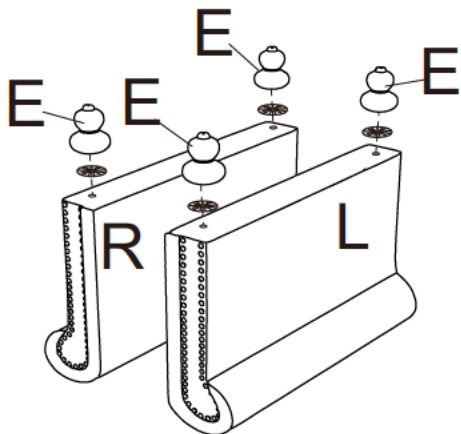
BOX-2

Open up Velcro of Non Woven Fabric cover on the bot tom of the to remove HARDW ARE and legs.
 Please open the black woven fabric with Velcro closure on the botom of the frame then cut off the black straps before removing the parts for assembly.
 Please allow at least 24 hours for the cushions to recover to its natural state afer removing from the package.

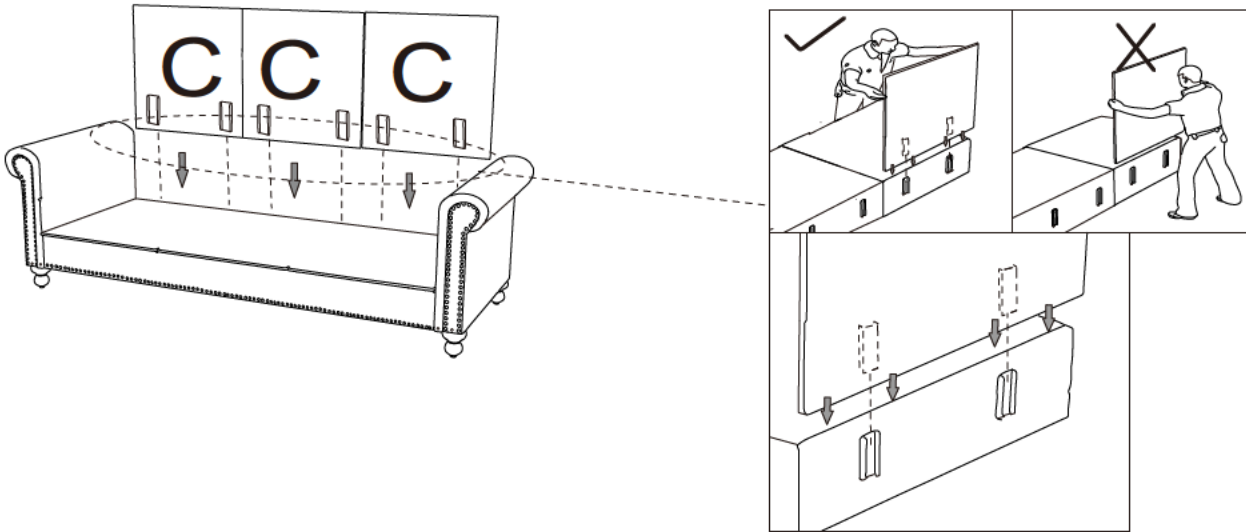


ASSEMBLY INSTRUCTION

Step1



Step2



Step3

