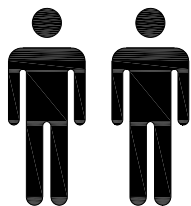


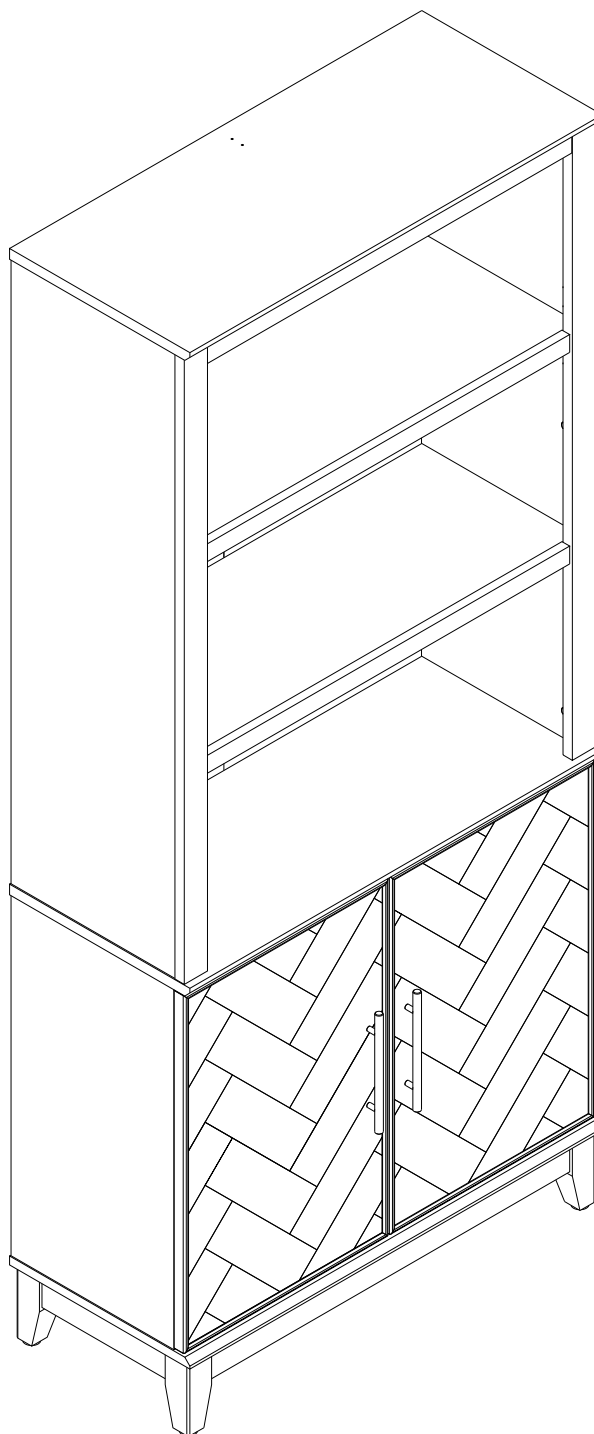
# ASSEMBLY INSTRUCTION

If there are any questions during the assembly process.

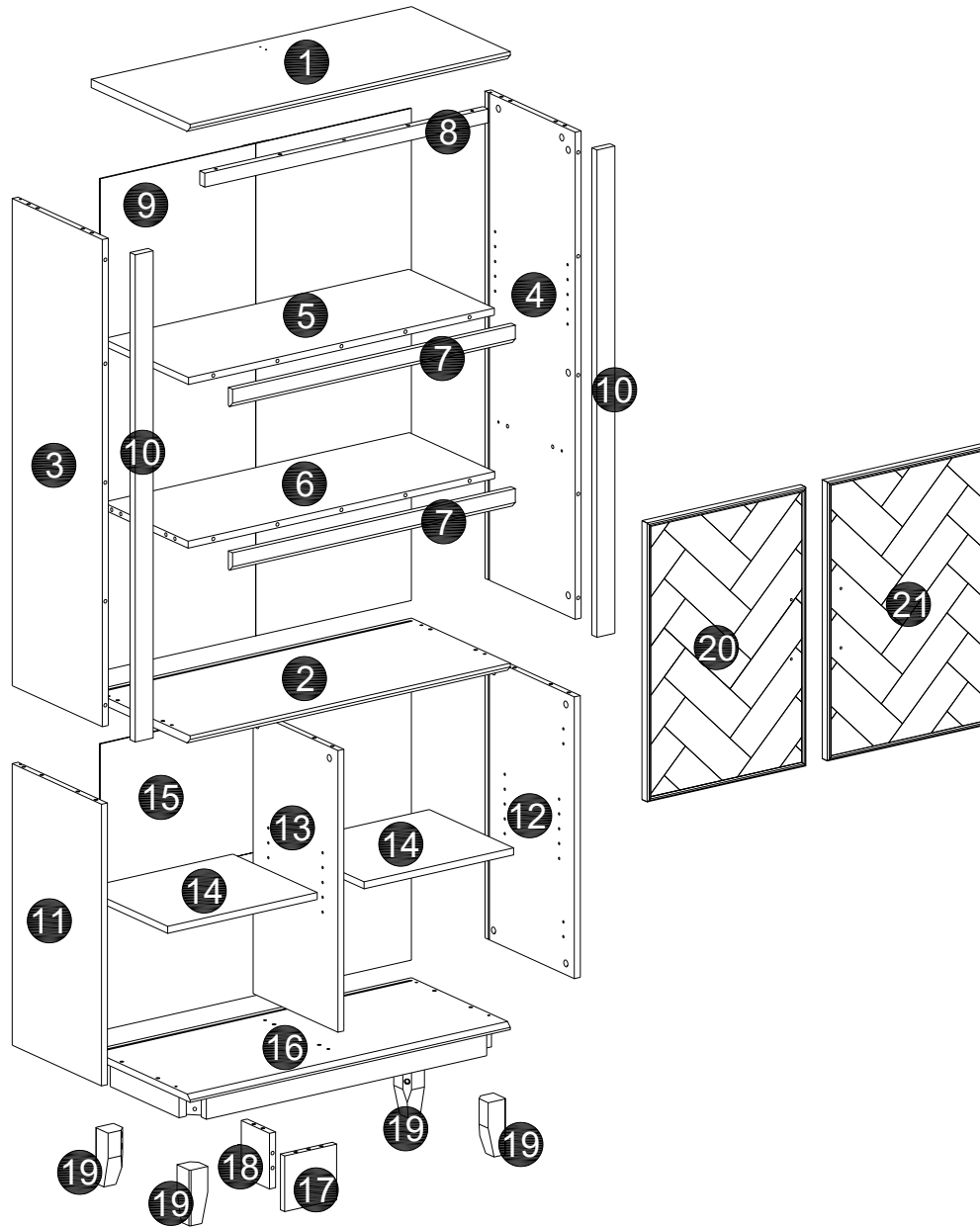
A video and description about the step you were stucked will help us to understand the problem quickly.

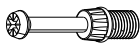


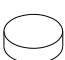
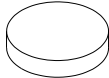
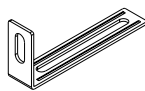
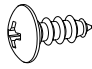

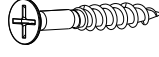


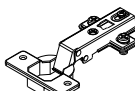
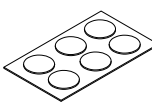




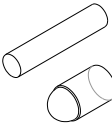
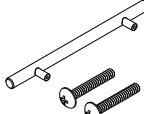
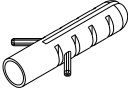
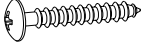


2 person required to  
assemble this product

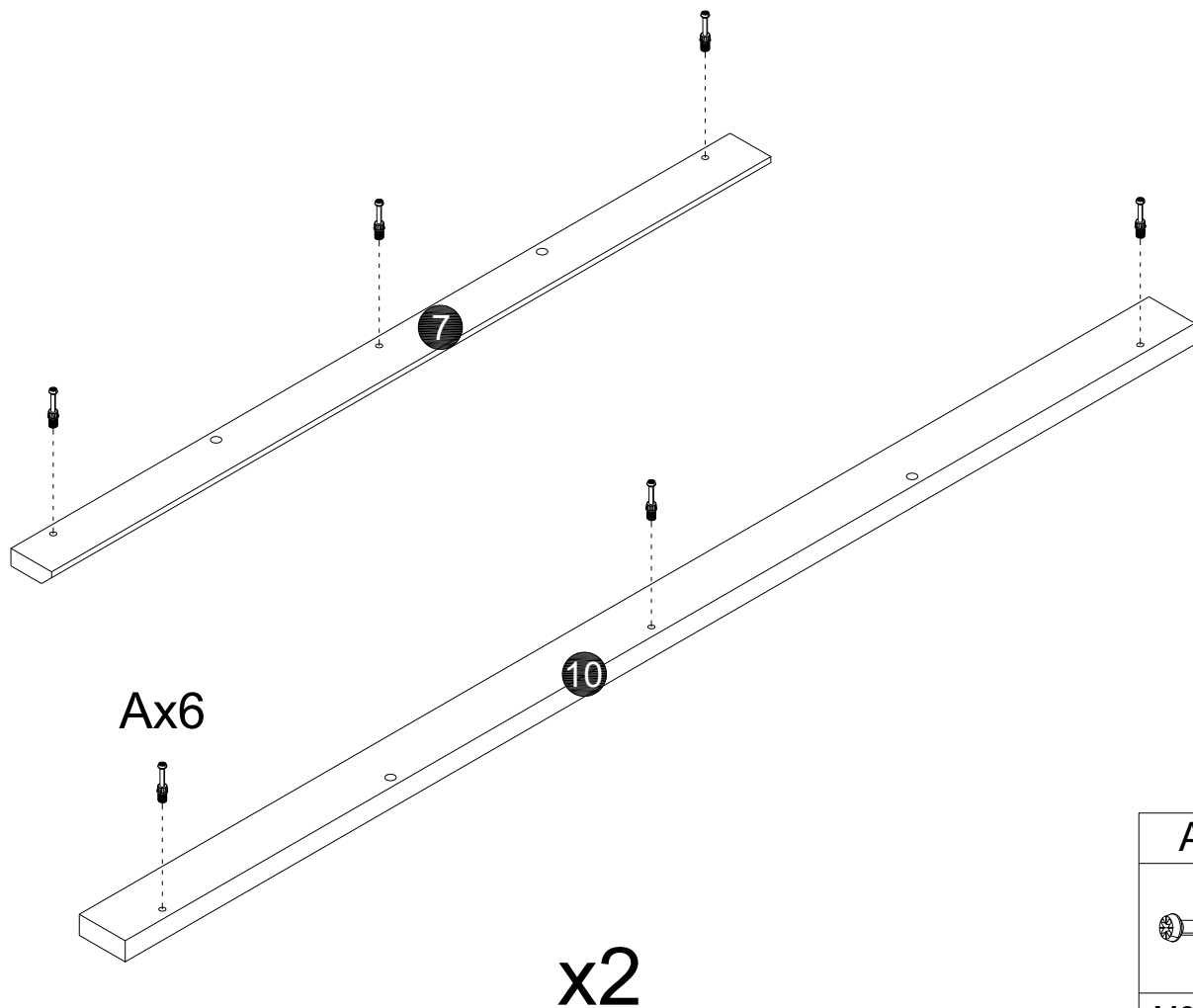


# ASSEMBLY INSTRUCTION

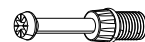


A	x34	B	x34	C	x37												
																	
M6x35mm	Ø15mm	Ø8x30mm															
D	x3	E	x4	F	x1	G	x2	H	x3	I	x6	J	x14	K	x26	L	x4
																	
Ø13x5	Ø25x5		M3.5x14mm	M5x28mm	M5x38mm		M3.5x16mm										
M	x6	N	x8	O	x8	P	x8	Q	x1	R	x12	S	x2	T	x1	U	x1
																	
Ø25	M6x55mm	Ø16*1.2	Ø10	M4x21x57									M5x38mm				

# 1

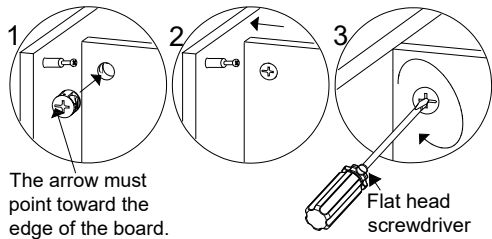


A x12



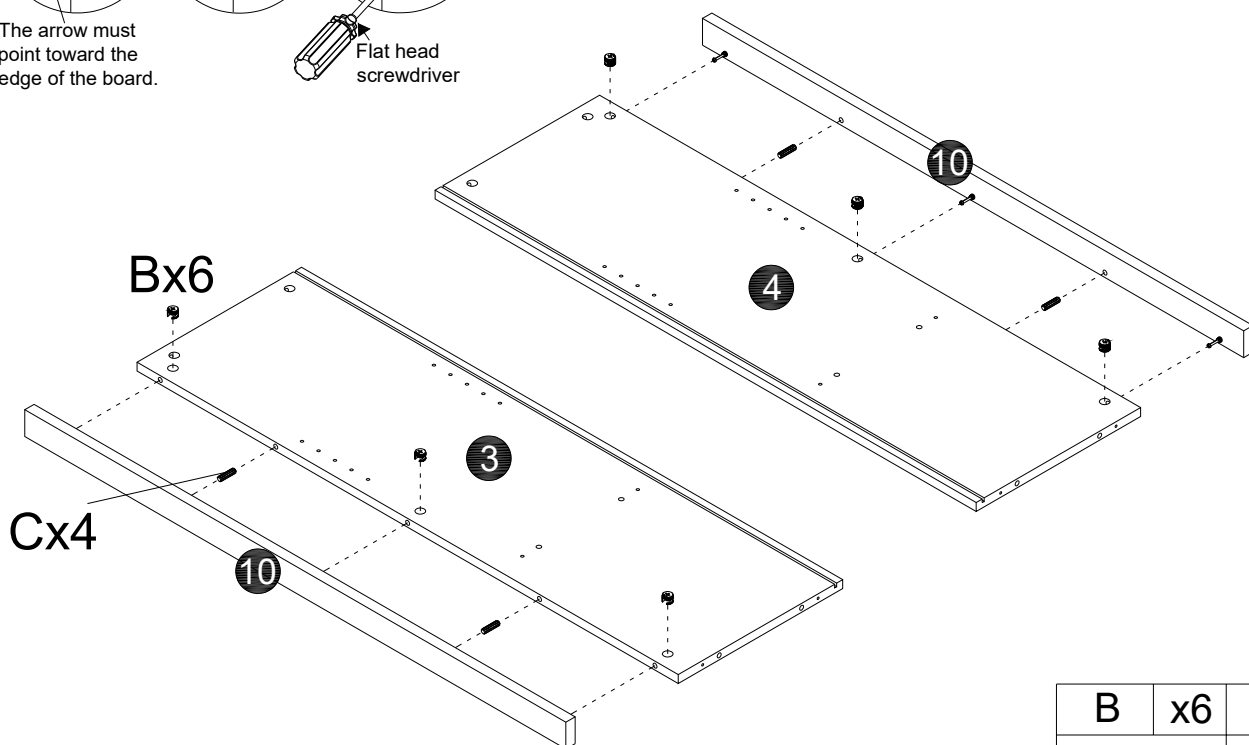
M6x35mm

# 2



The arrow must point toward the edge of the board.

Flat head screwdriver



B x6

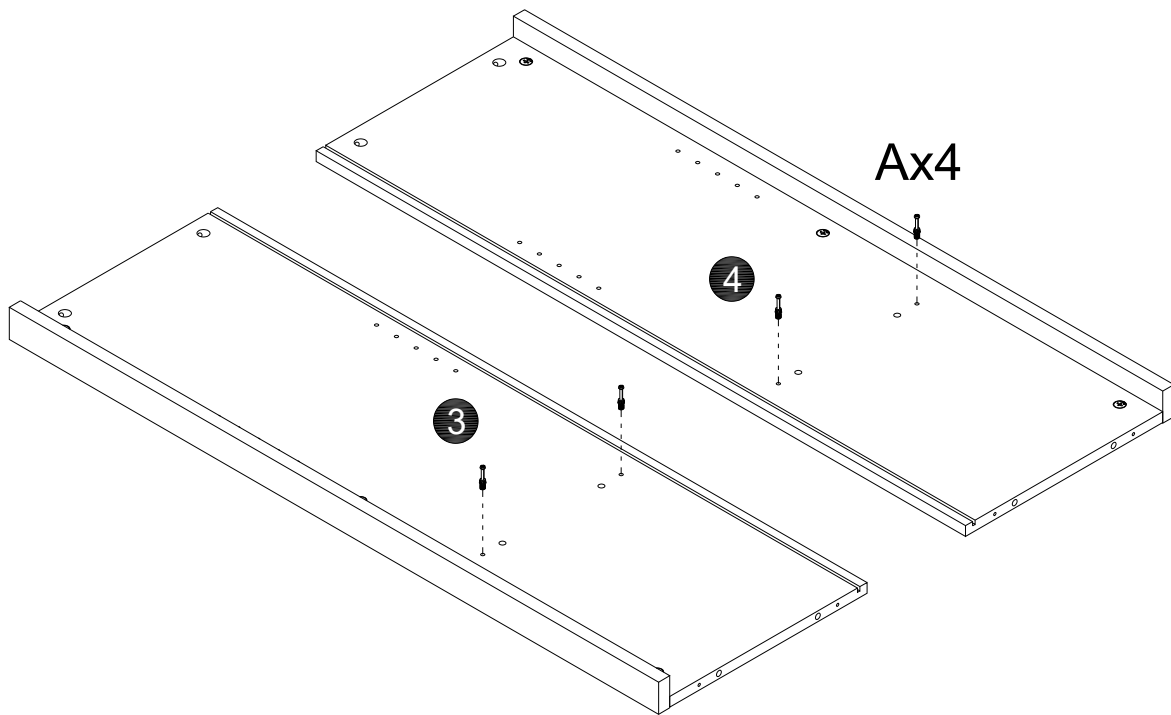
C x4




Ø15mm

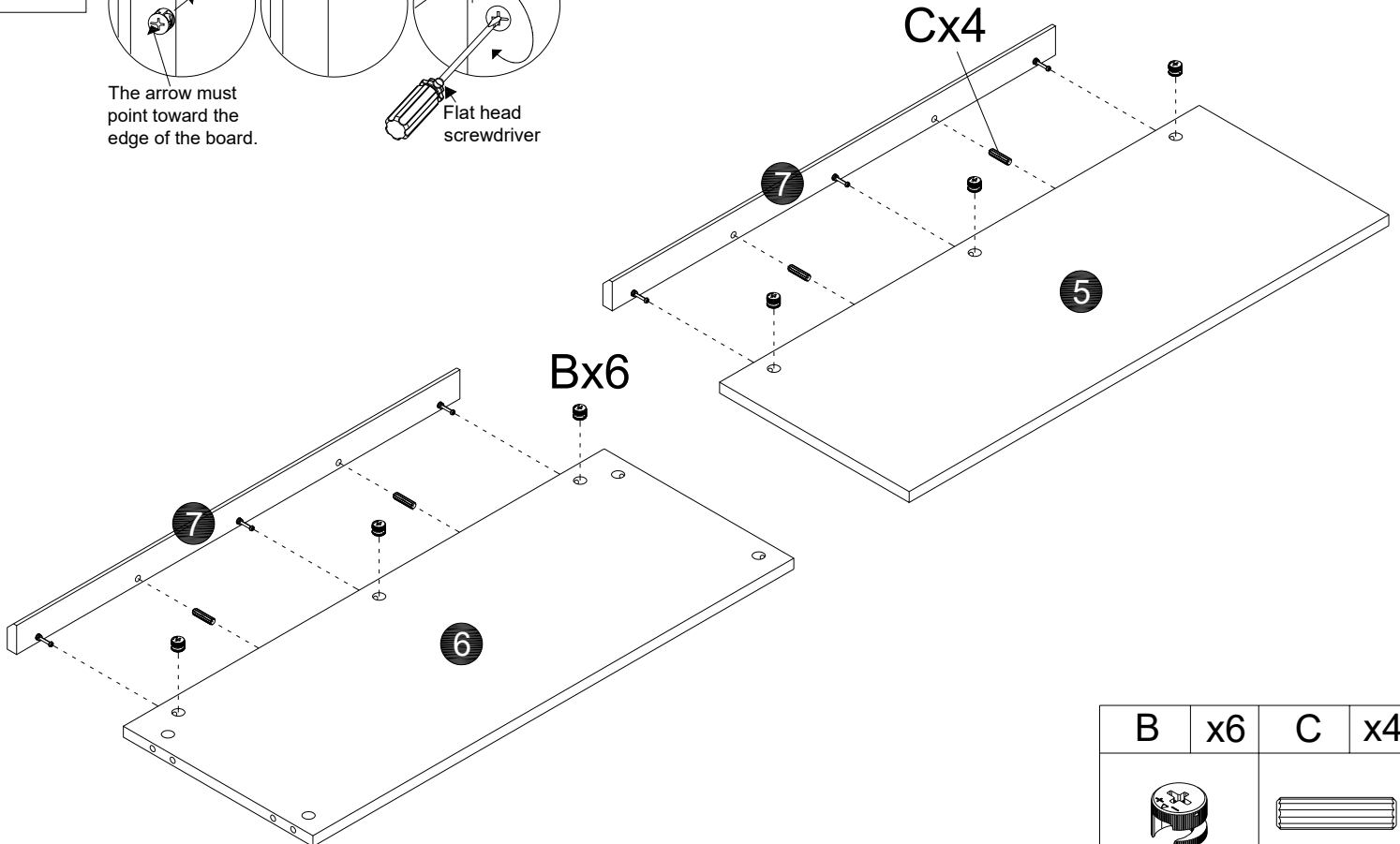
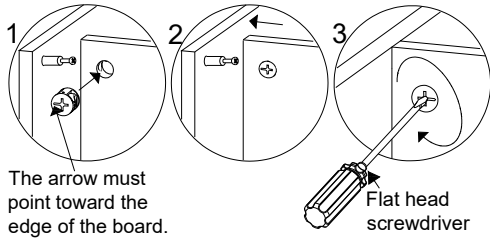
Ø8x30mm



# 3



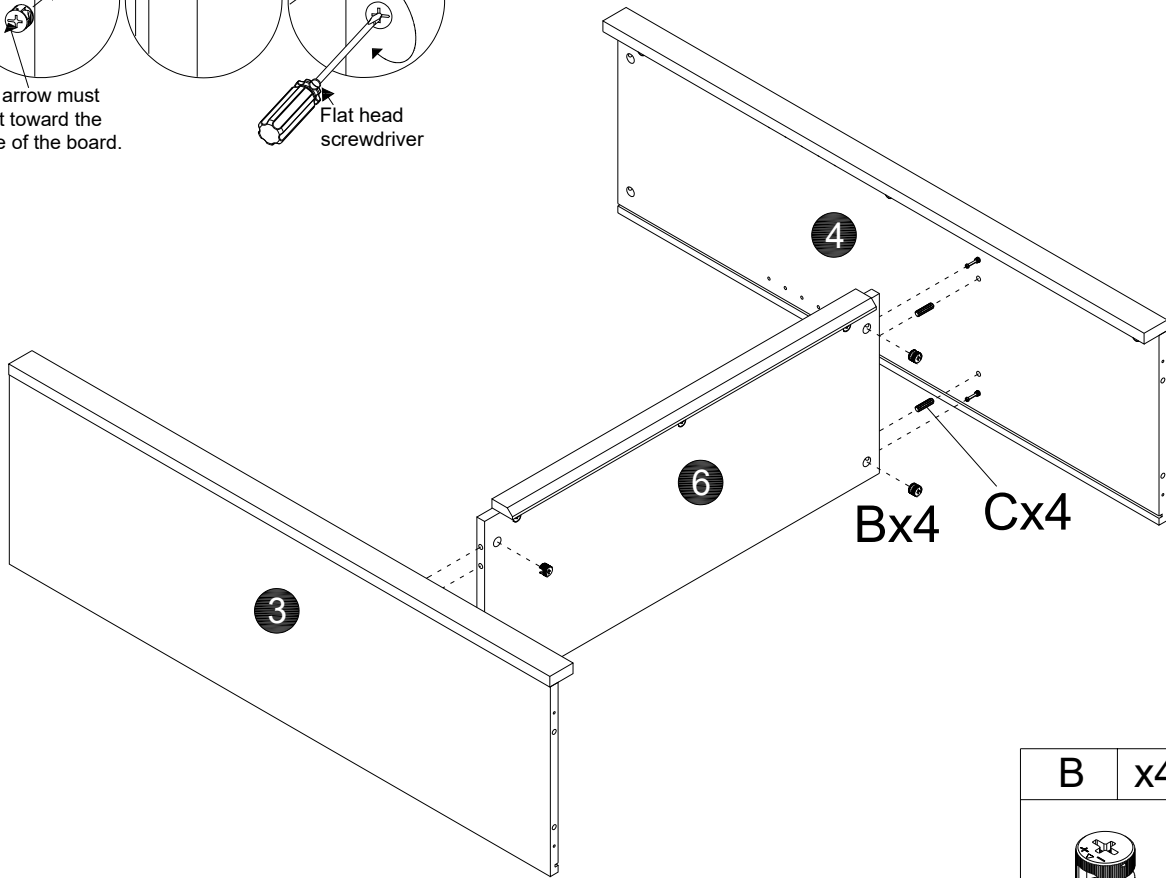
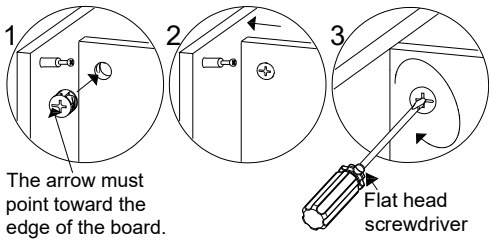
A	x4
	
M6x35mm	

# 4



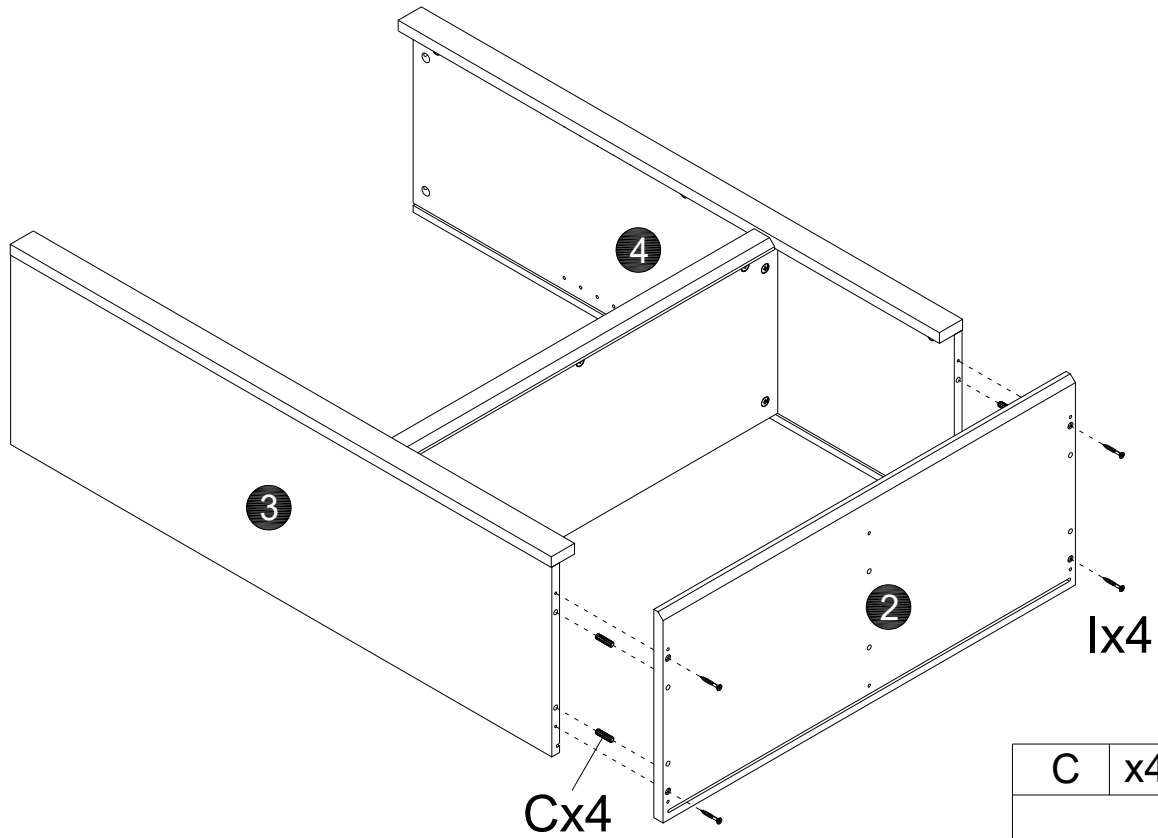
B	x6	C	x4
			
Ø15mm		Ø8x30mm	

# 5



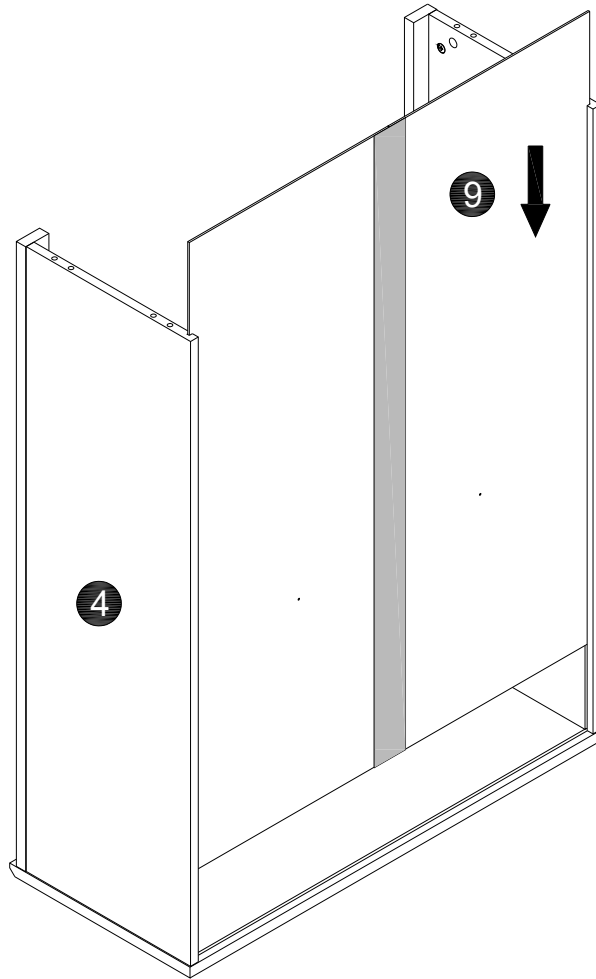
B	x4	C	x4
Ø15mm		Ø8x30mm	

# 6

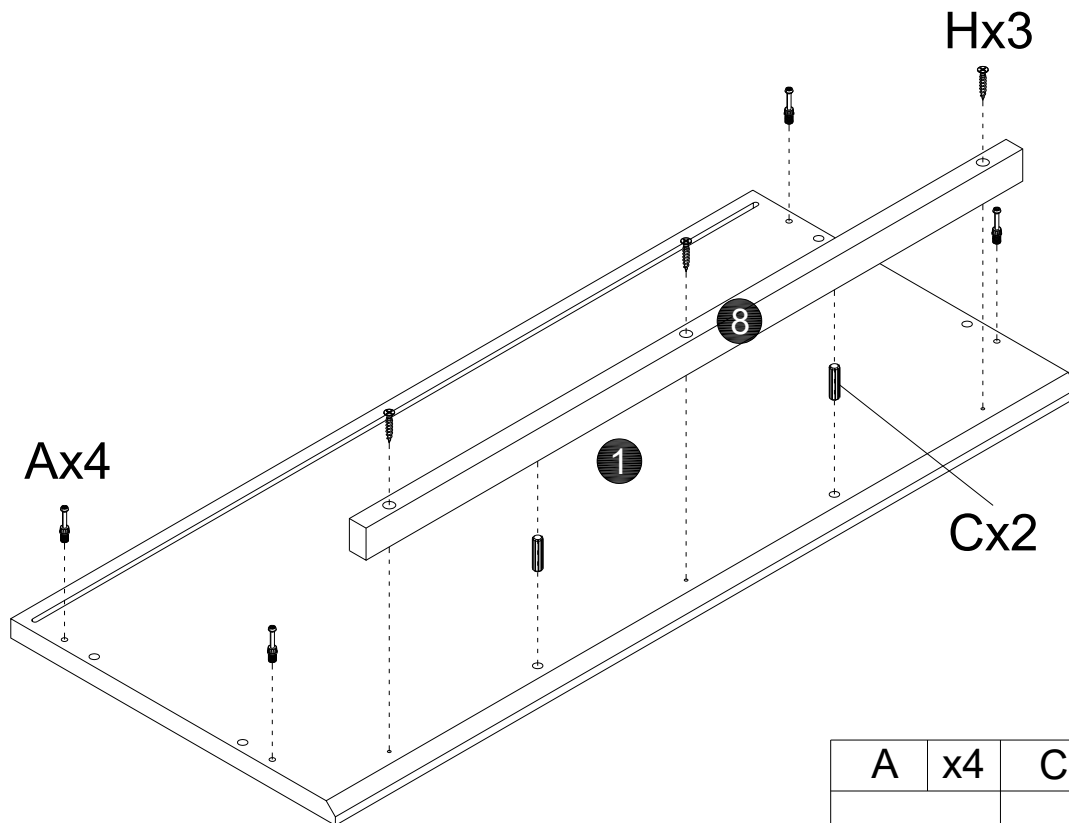


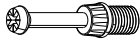


C	x4	I	x4
Ø8x30mm		M5x38mm	

7

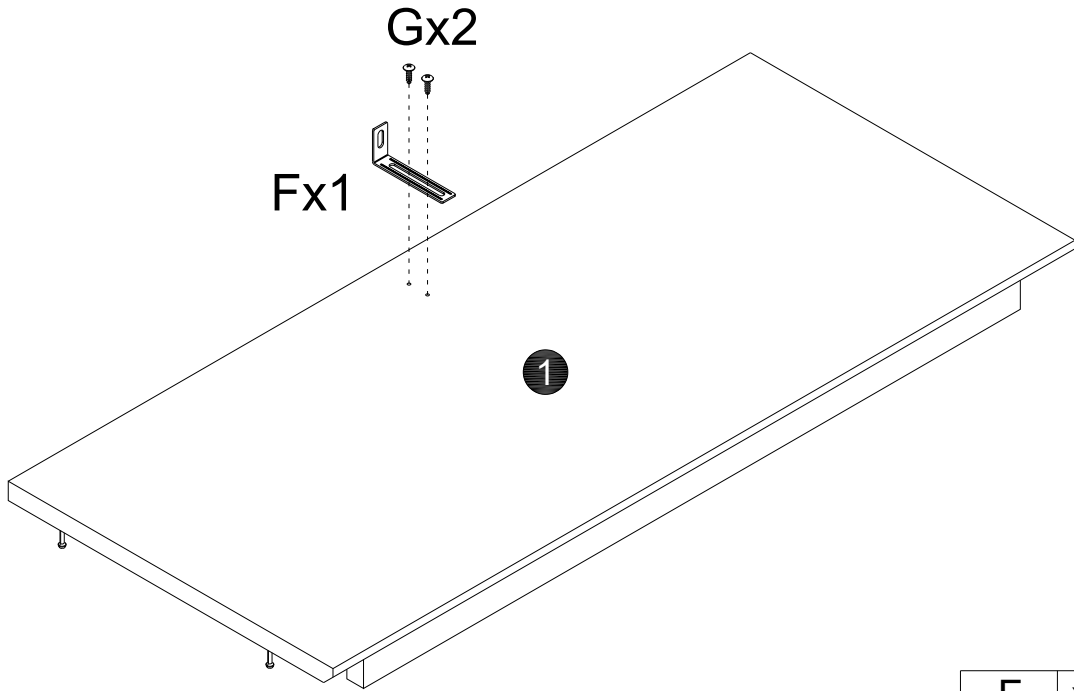


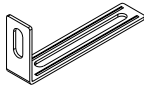
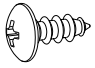
8



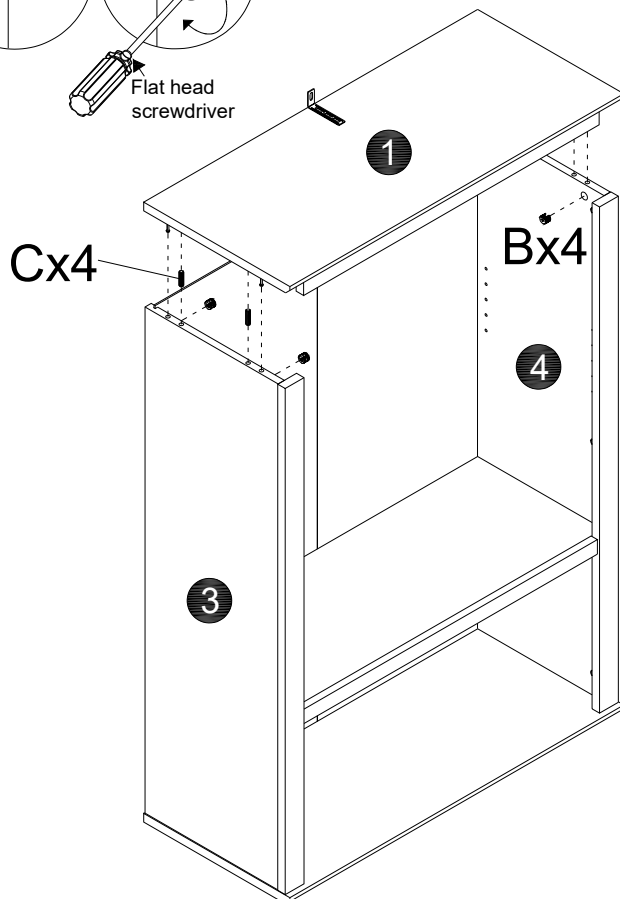
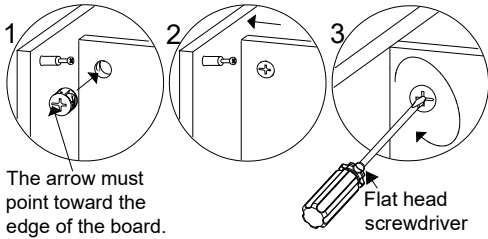
A	x4	C	x2	H	x3
					
M6x35mm		Ø8x30mm		M5x28mm	


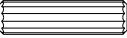
9



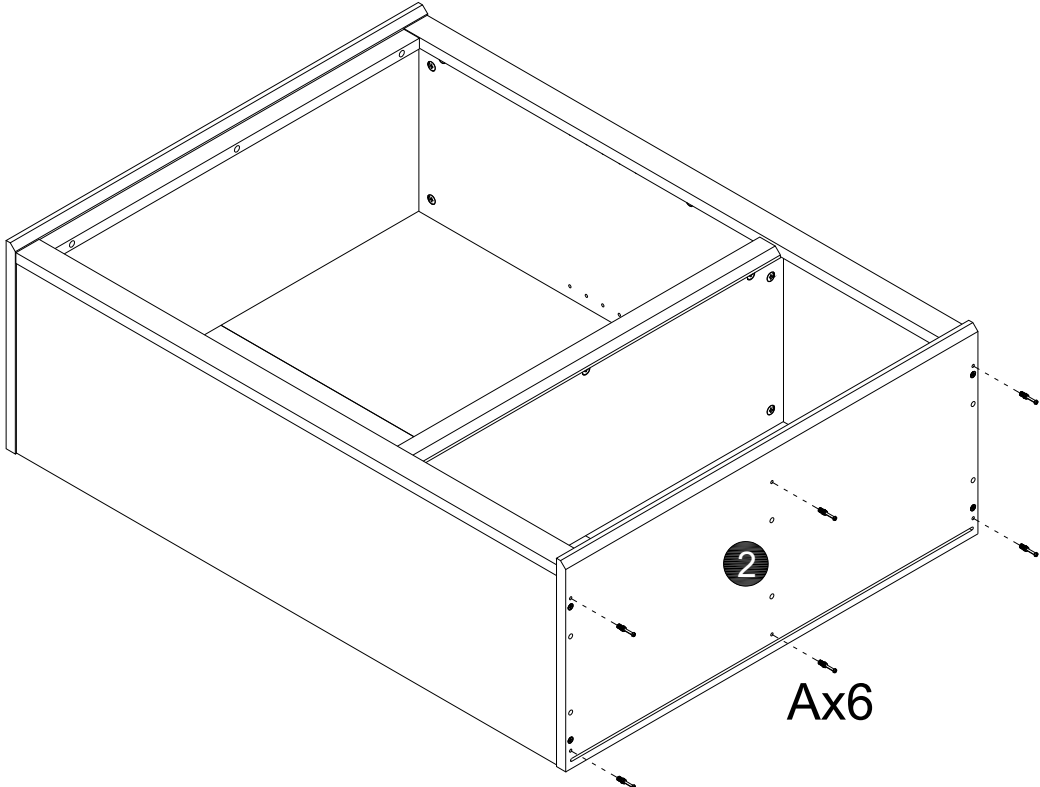
F	x1	G	x2
			
		M3.5x14mm	

10

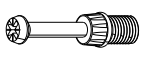


B	x4	C	x4
			
Ø15mm		Ø8x30mm	

11

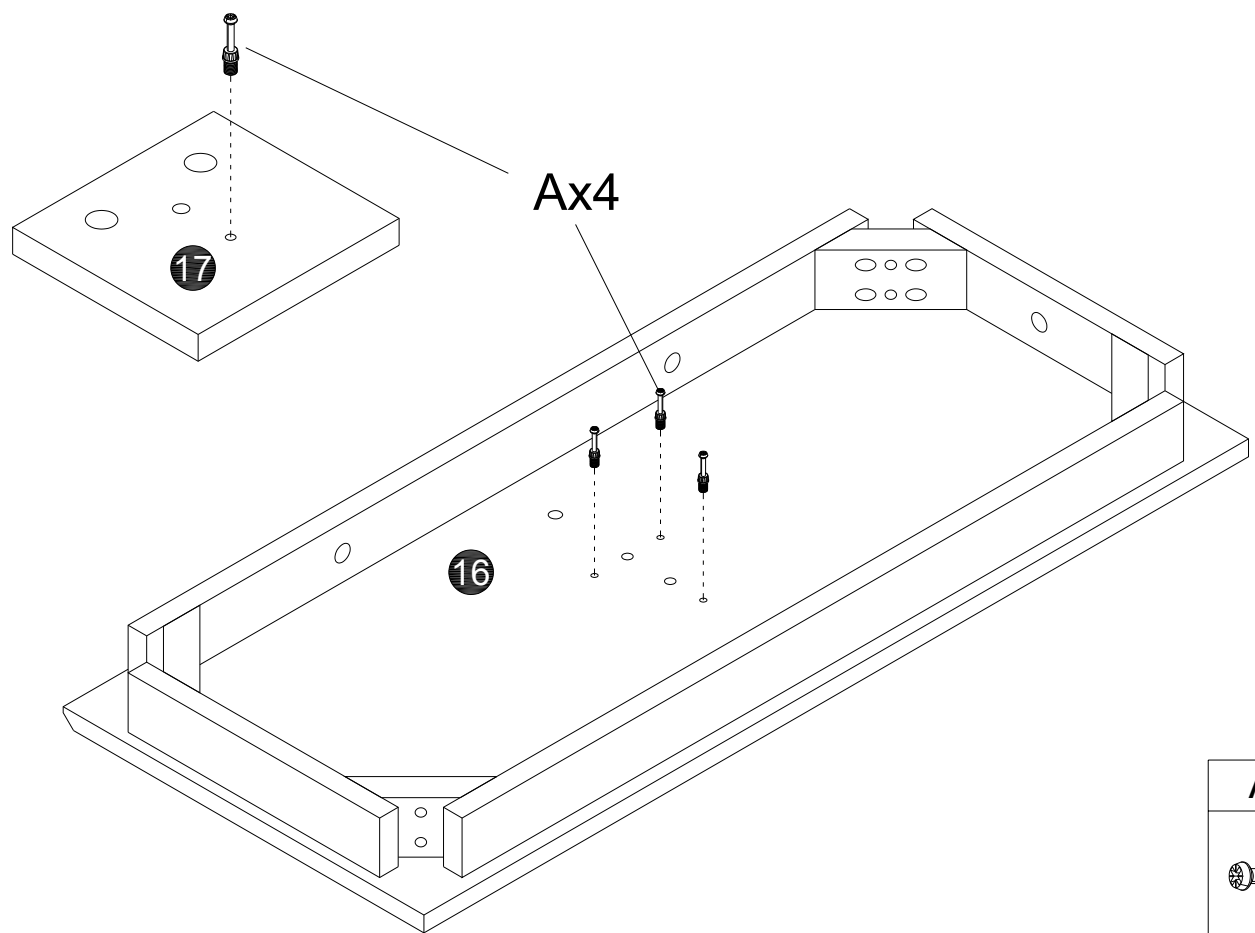


A x6

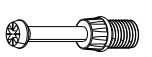


M6x35mm

12

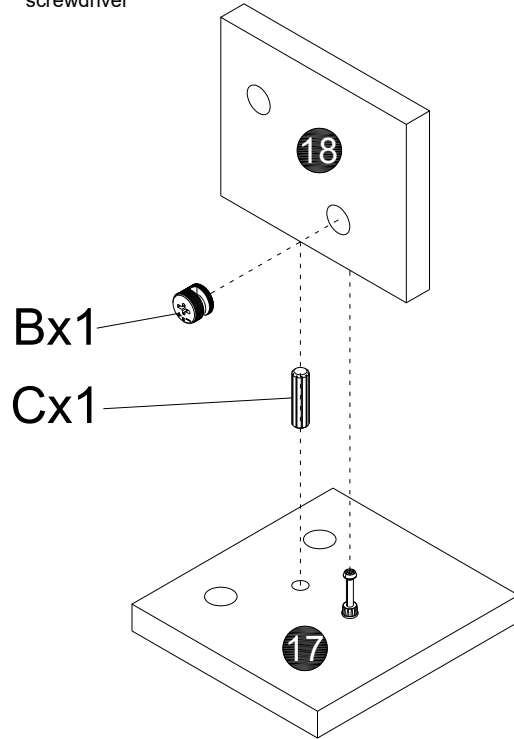
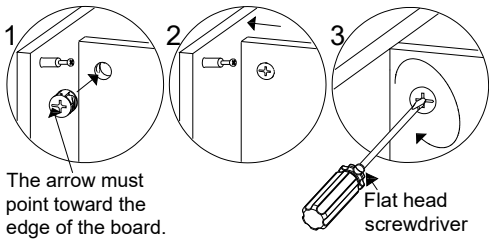




A x4



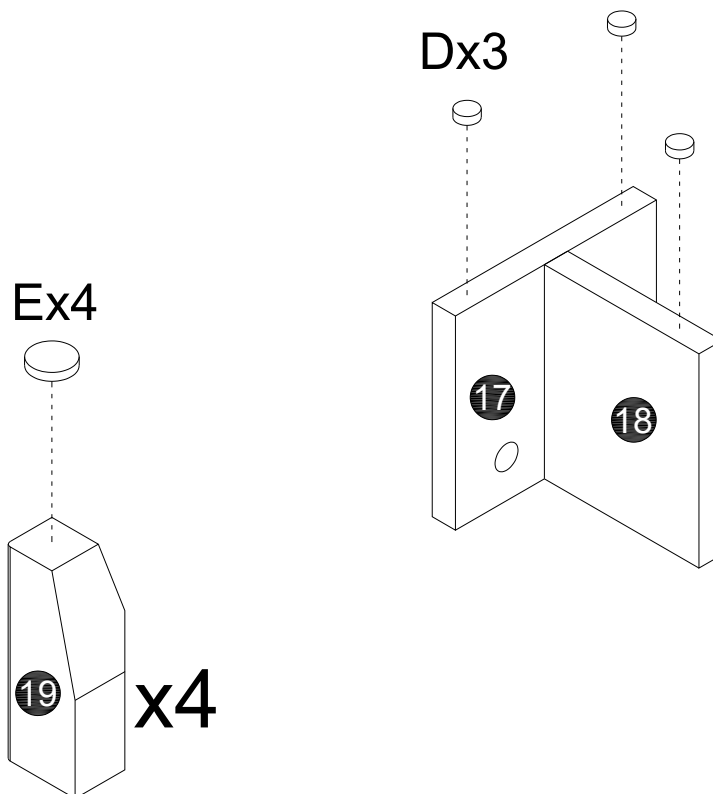
M6x35mm



# 13



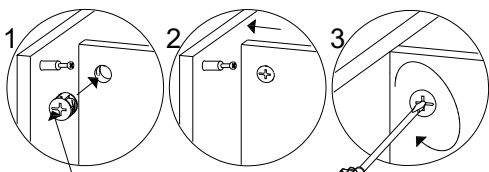
B	x1	C	x1
			
Ø15mm		Ø8x30mm	

# 14

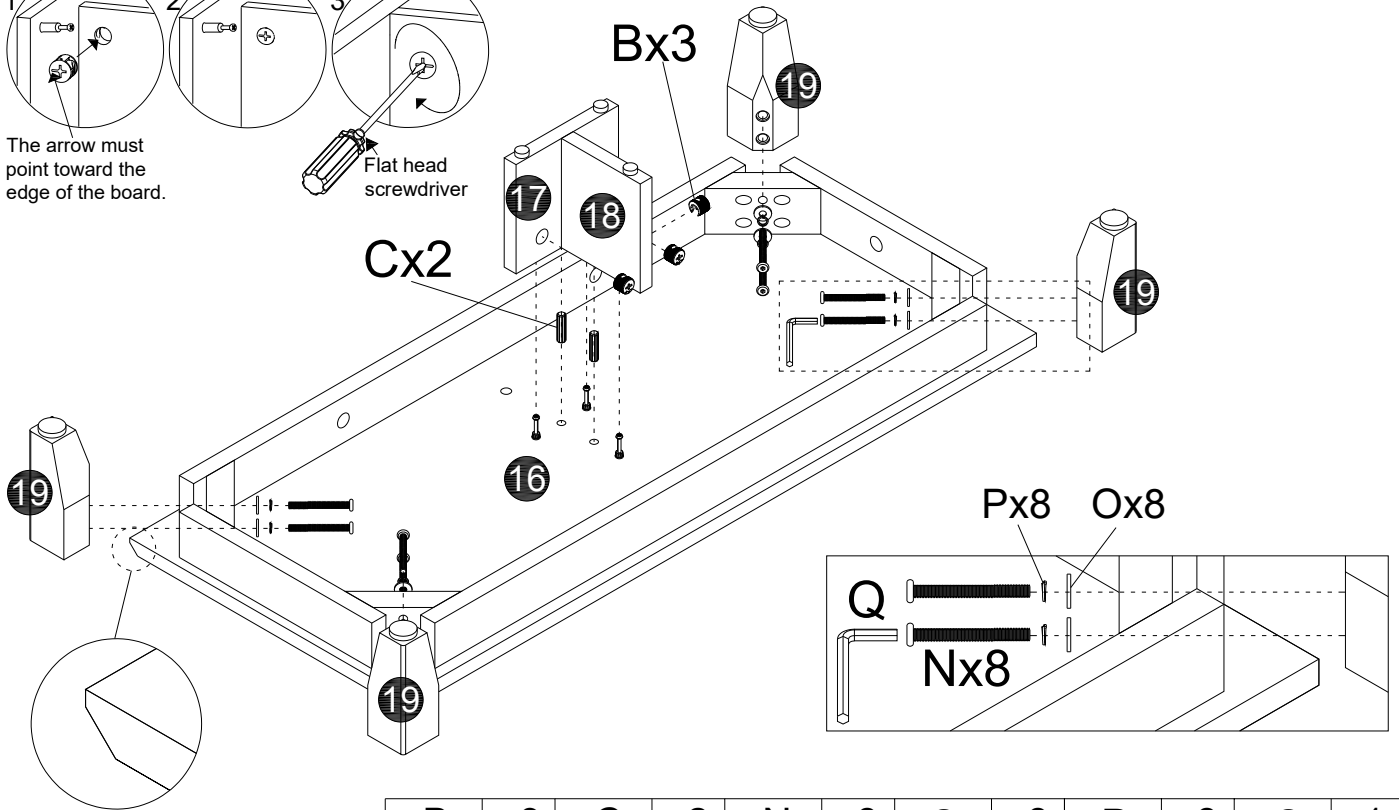




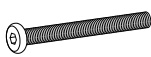



D	x3	E	x4
			
Ø13x5		Ø25x5	

# 15

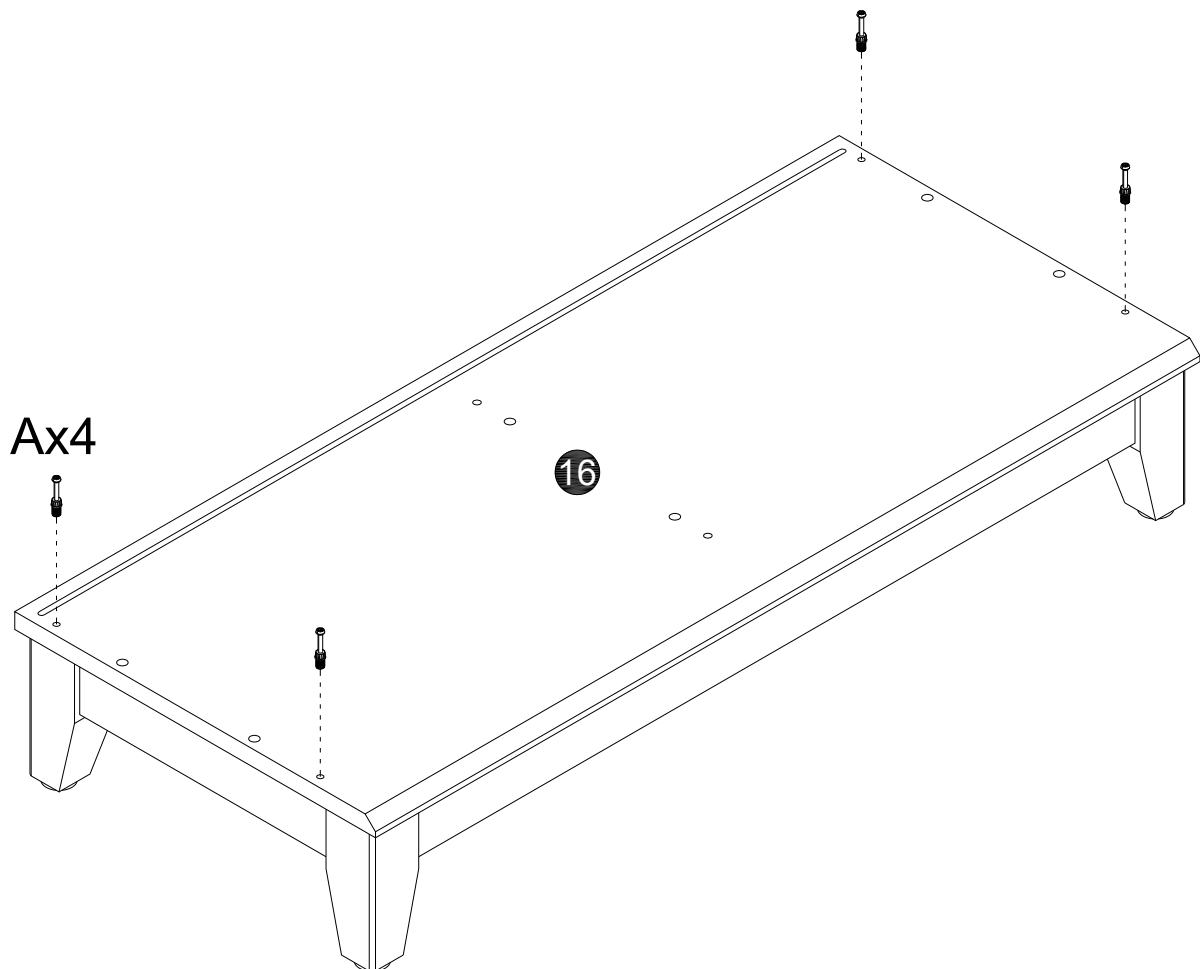


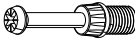
The arrow must point toward the edge of the board.



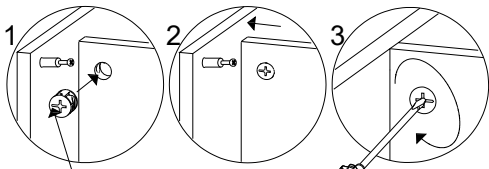
B	x3	C	x2	N	x8	O	x8	P	x8	Q	x1
											
Ø15mm		Ø8x30mm		M6x55mm		Ø16*1.2		Ø10		M4x21x57	

# 16



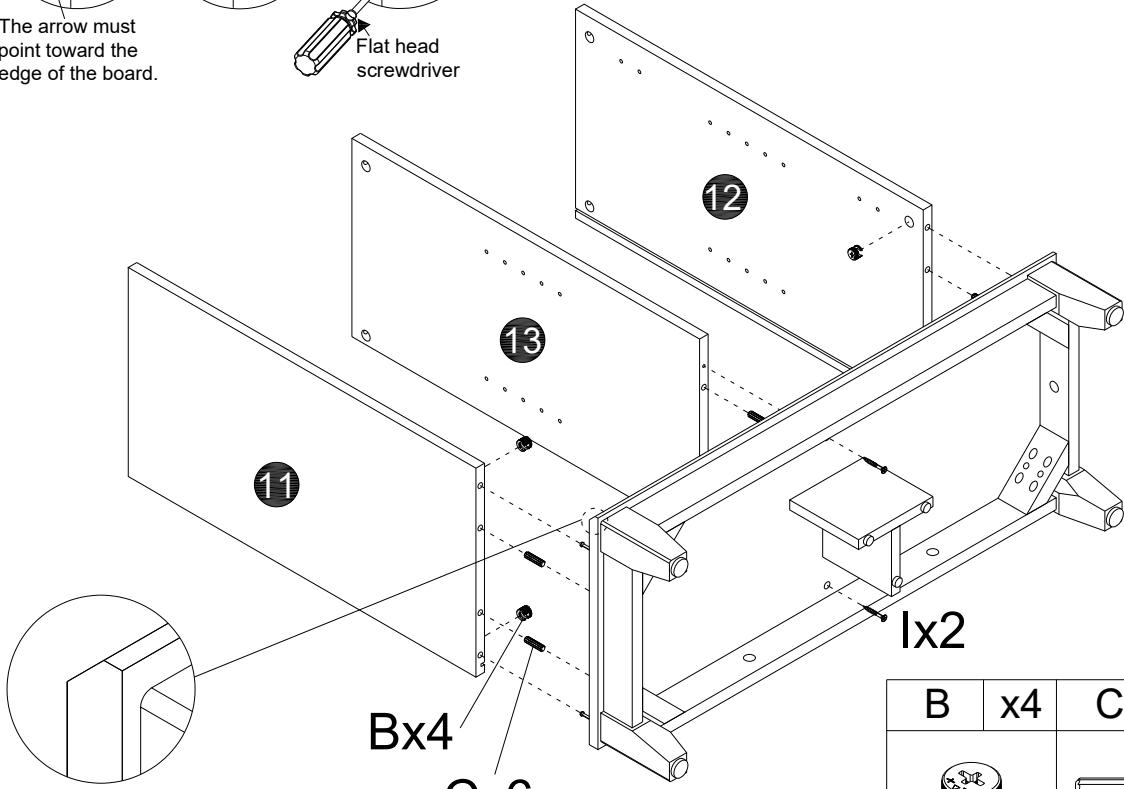
A	x4
	
M6x35mm	



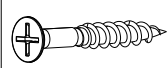
# 17



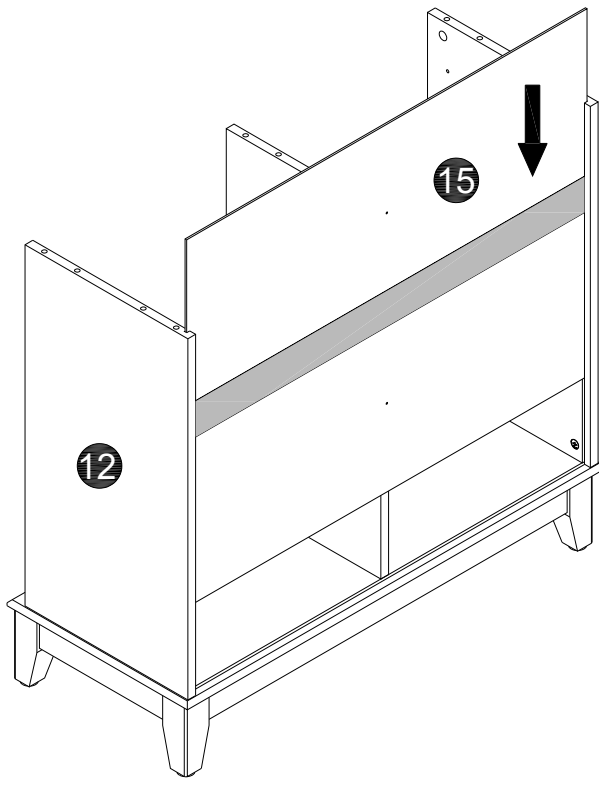
The arrow must point toward the edge of the board.

Flat head screwdriver

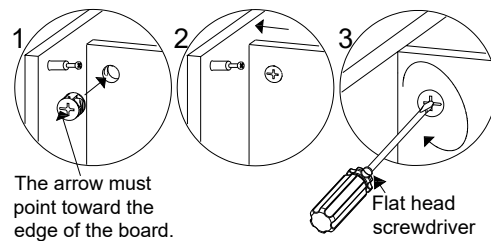
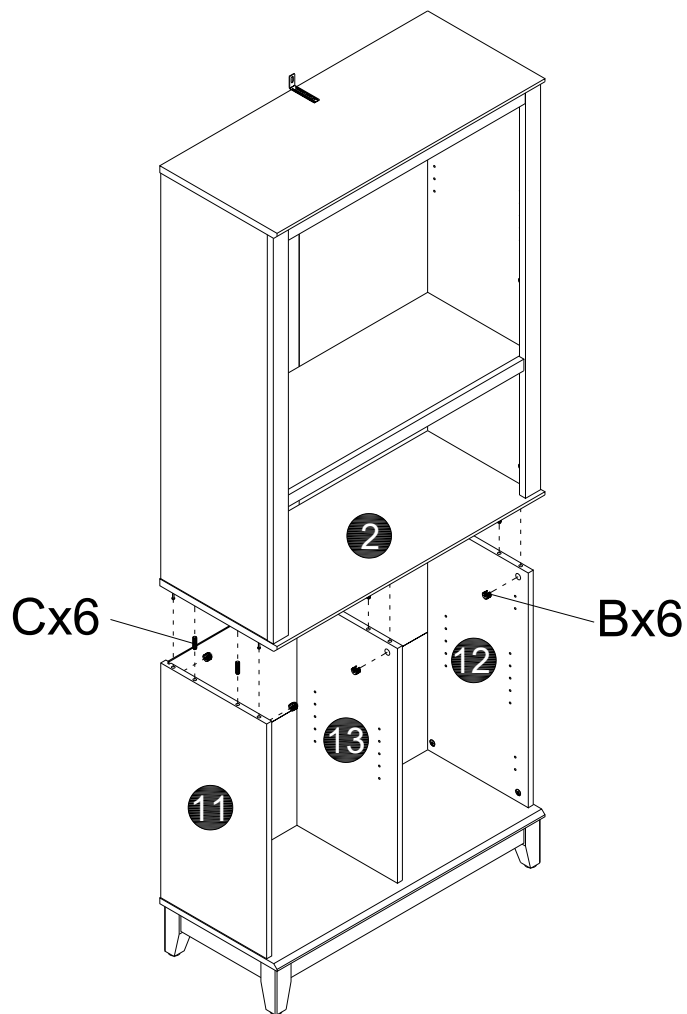




B	x4	C	x6	I	x2
					
Ø15mm		Ø8x30mm		M5x38mm	

# 18

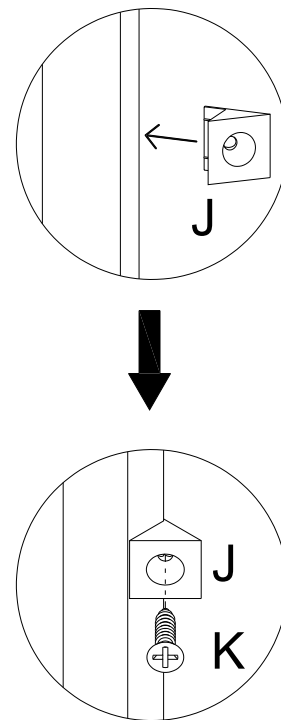
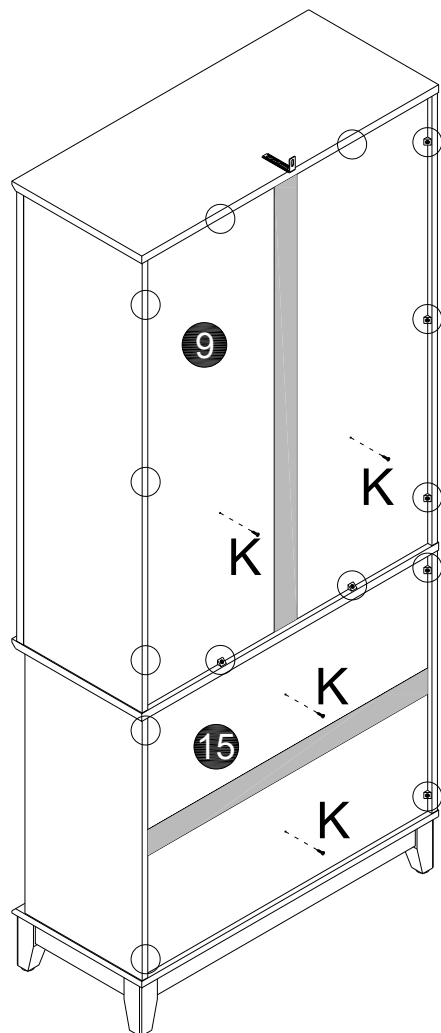



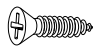
# 19



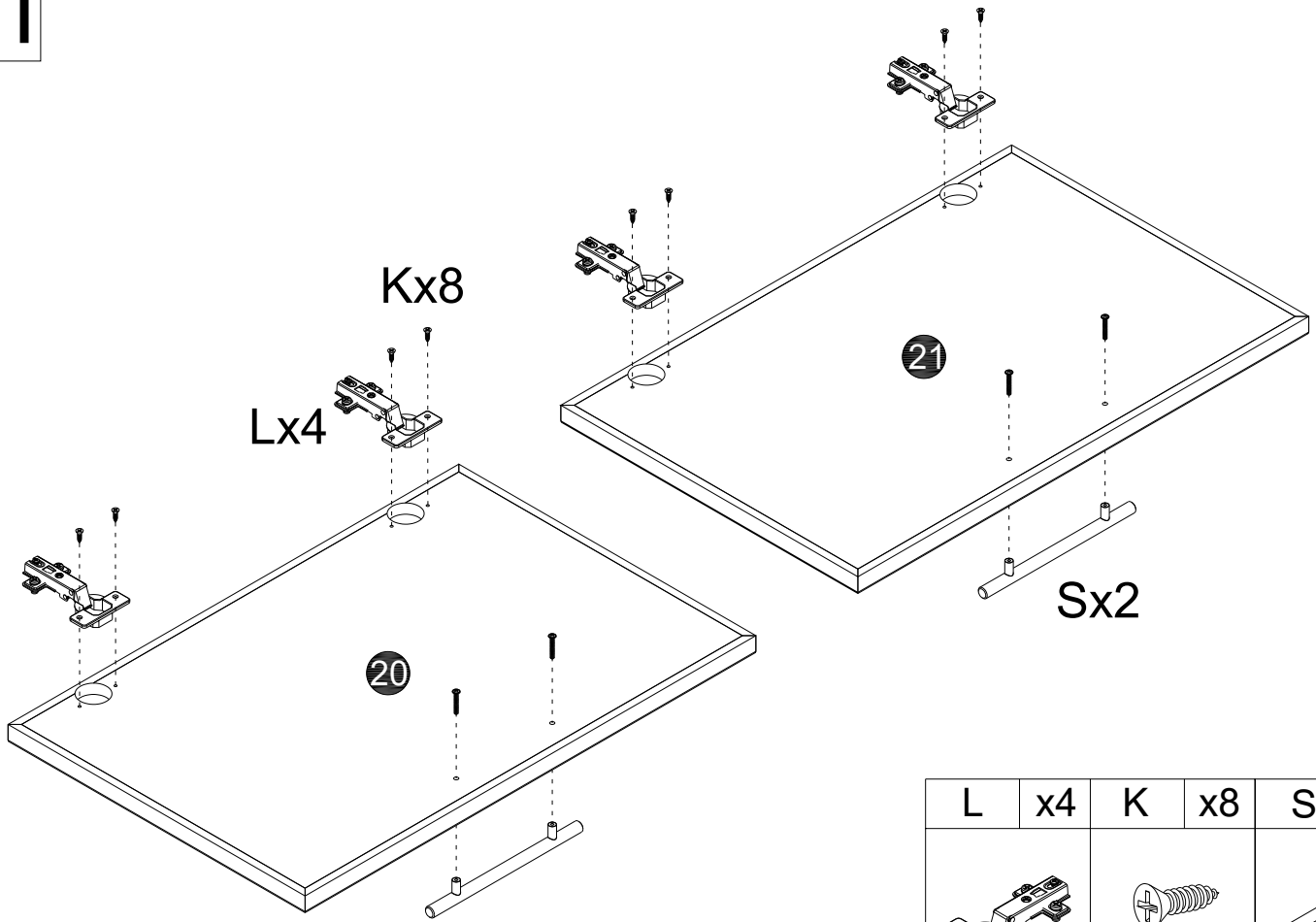
B	x6	C	x6
			
Ø15mm		Ø8x30mm	

# 20

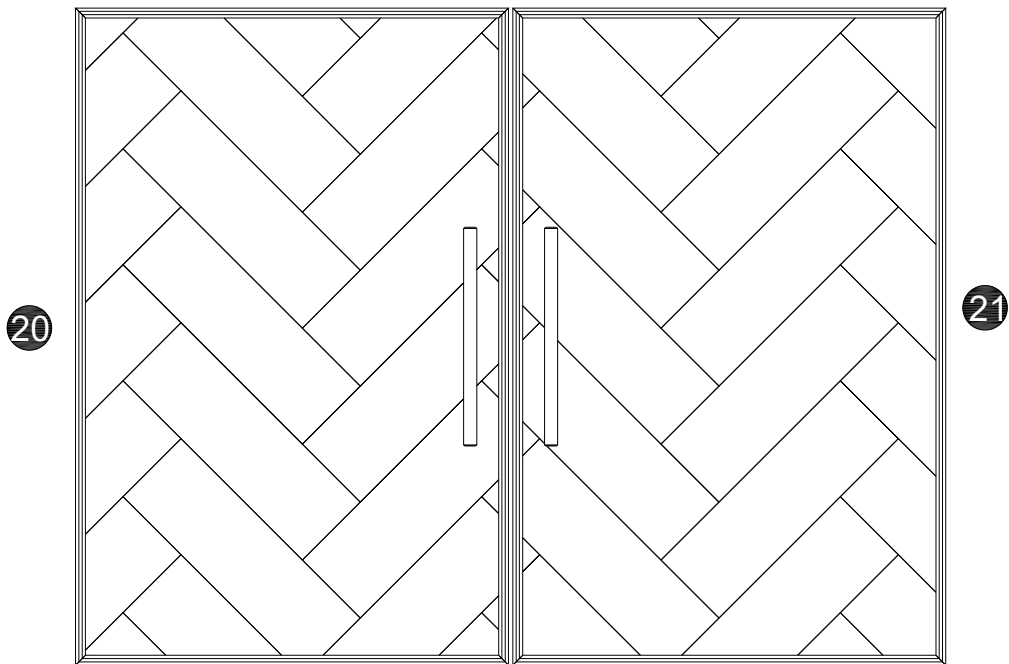


J	x14	K	x18
			
		M3.5x16mm	

# 21

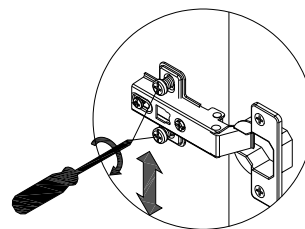
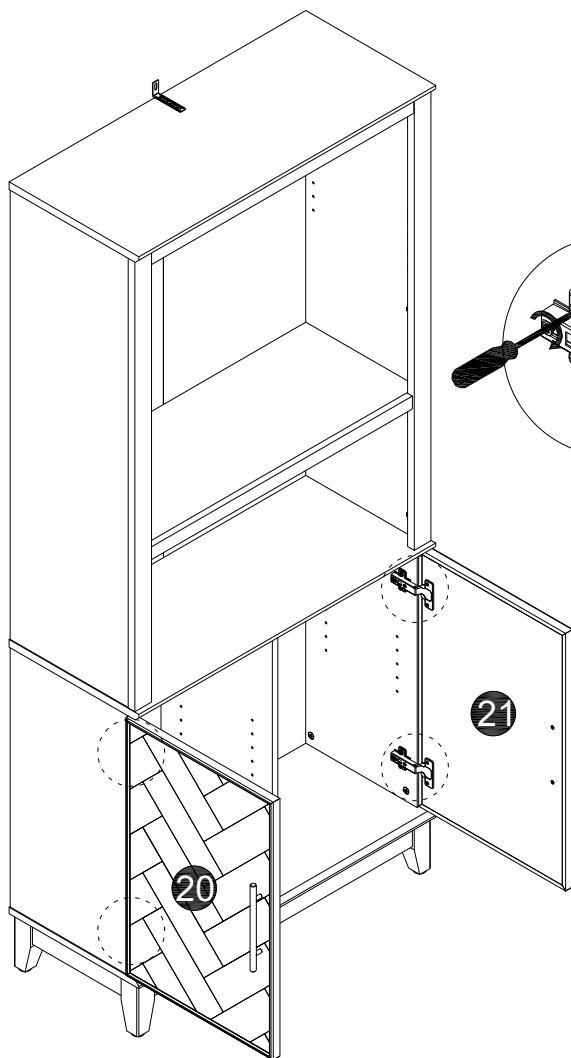


# 22

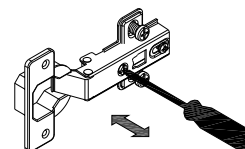
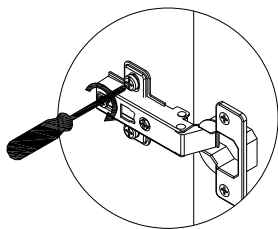


**Please install the door panel in the direction shown in the drawing.**

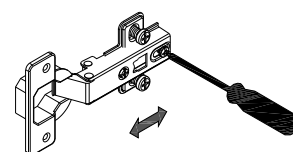
# 23



Align the screws with the reserved holes, adjust the position of the door up and down, and then tighten the screws.

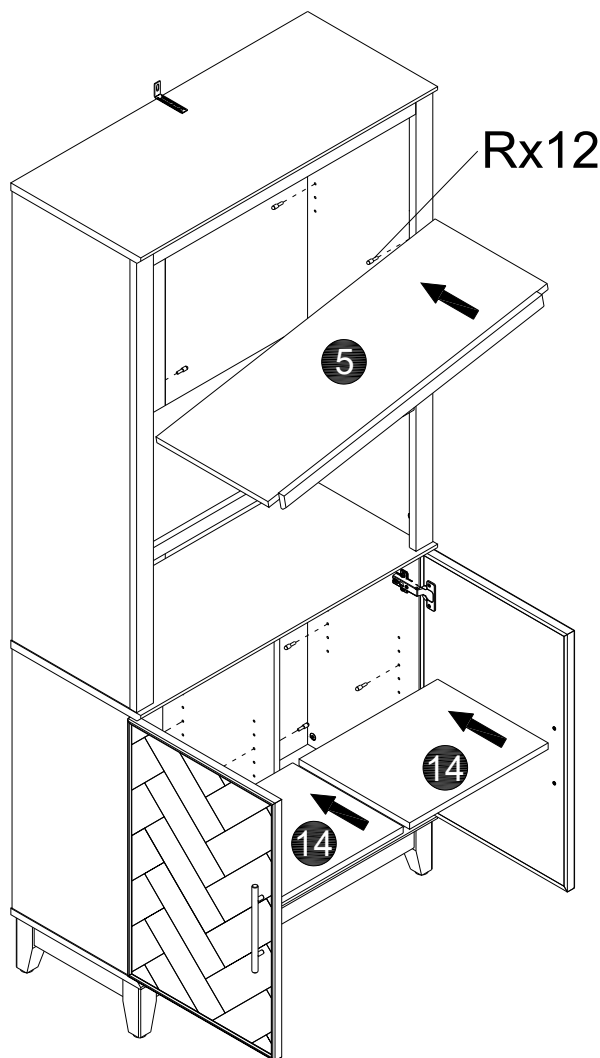


Adjust the left and right position of the door by rotating the screws counterclockwise or clockwise.

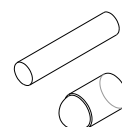


Loosen the screws, move the position of the door forward and backward. Then tighten the screws.

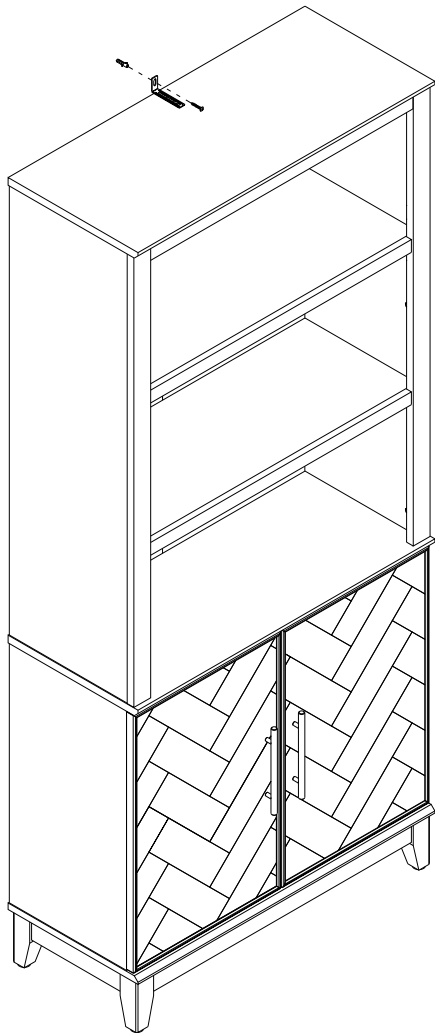
# 24



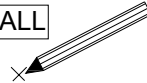
R x12



# 23

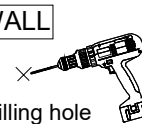


WALL



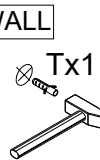
1 x1

WALL

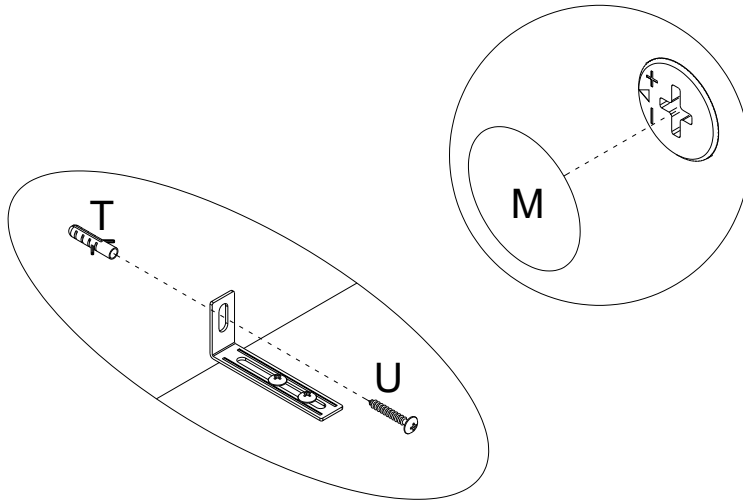


2 x1

WALL



3 x1



T	x1	U	x1	M	x6
		M5x38mm		Ø25	

# 24

