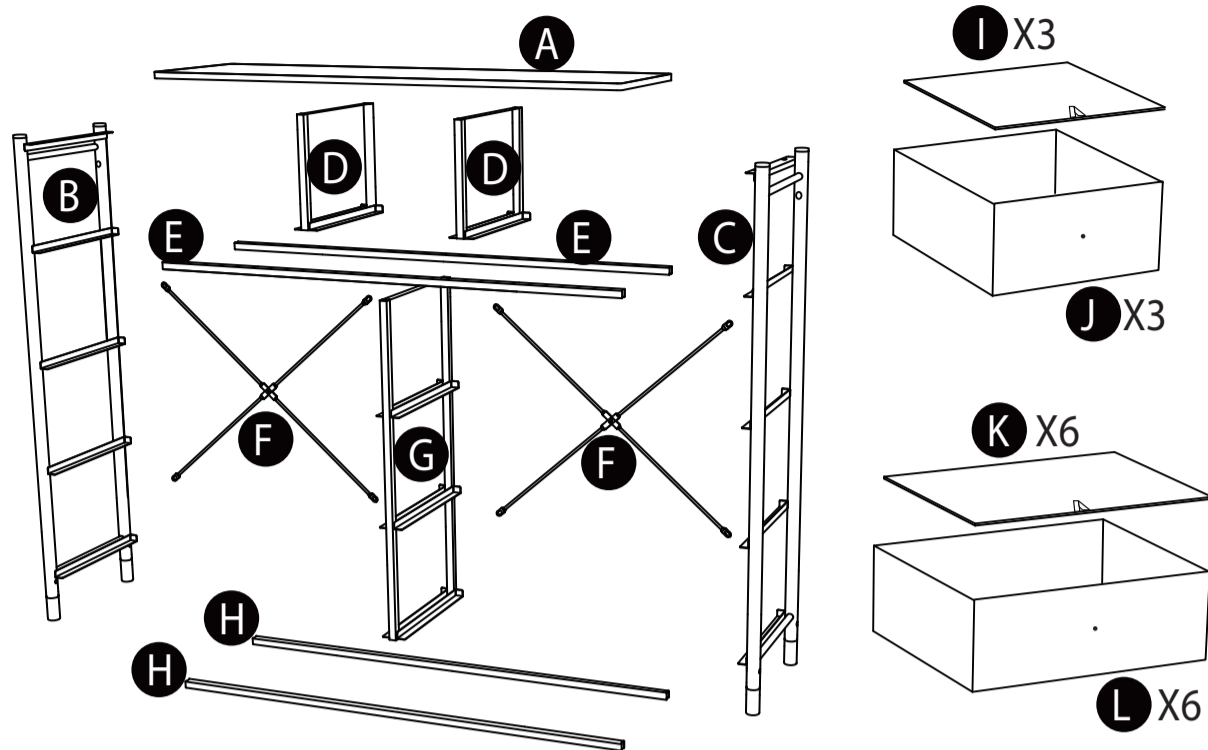



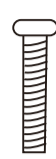
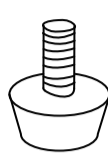
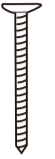

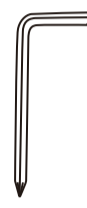

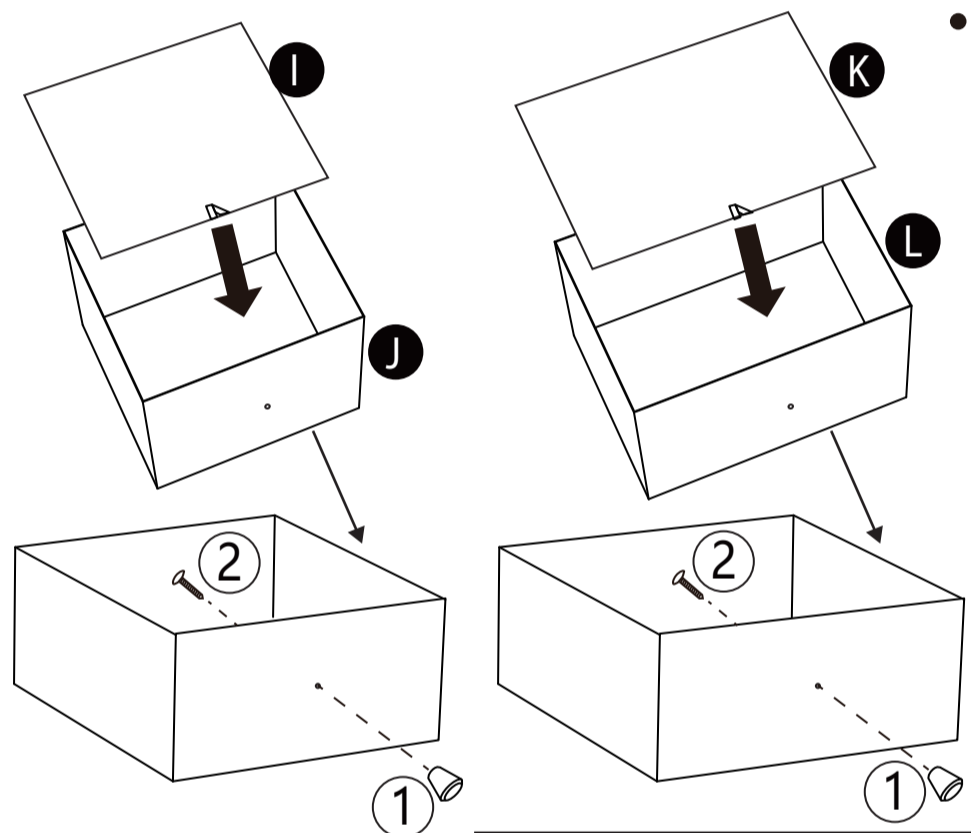


Assemble Instruction

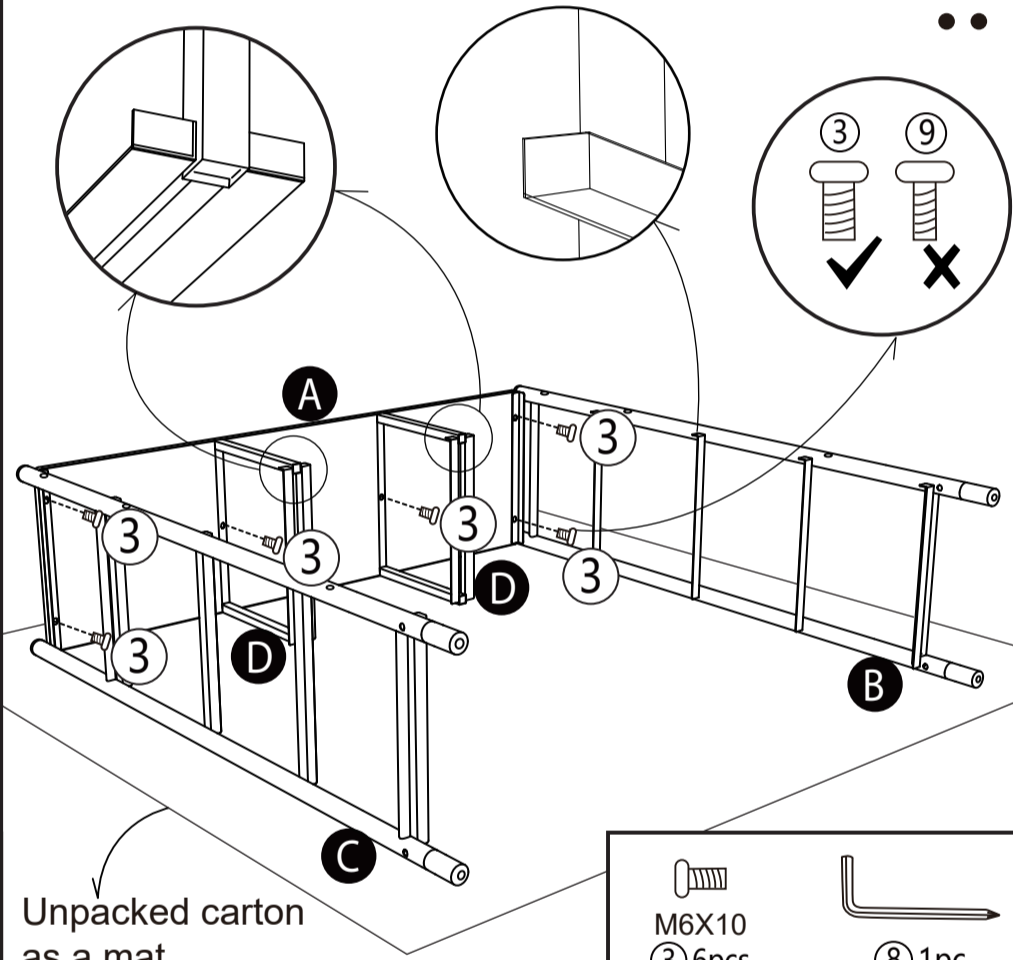
Attention : Do not tighten the screws until you have complete setup assembly.



 ① 9pcs	 M4X14 ② 9pcs	 M6X10 ③ 6pcs
 M6X35 ④ 16pcs	 ⑤ 4pcs	 M4X60 ⑥ 2pcs
 ⑦ 2pcs	 ⑧ 1pc	 M5X10 Special for Part F ⑨ 6pcs

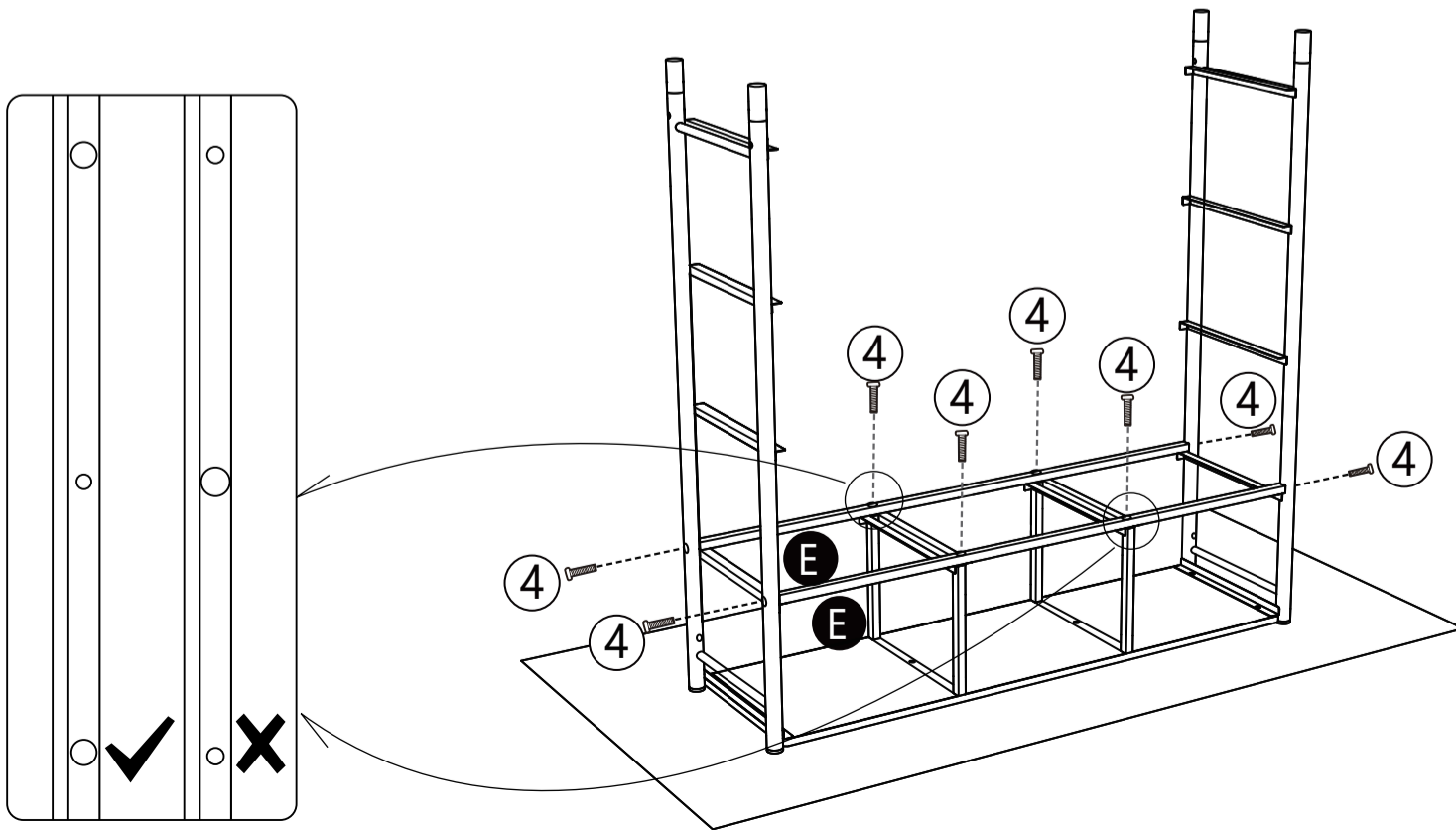




 ① 9pcs	 M4X14 ② 9pcs	 ⑧ 1pc
---	--	---



 M6X10 ③ 6pcs	 ⑧ 1pc
--	--

Attention : To avoid scratches on the surface of product during assembly, please use the carton as a mat.



 M6X35 ④ 8pcs	 ⑧ 1pc
--	--

