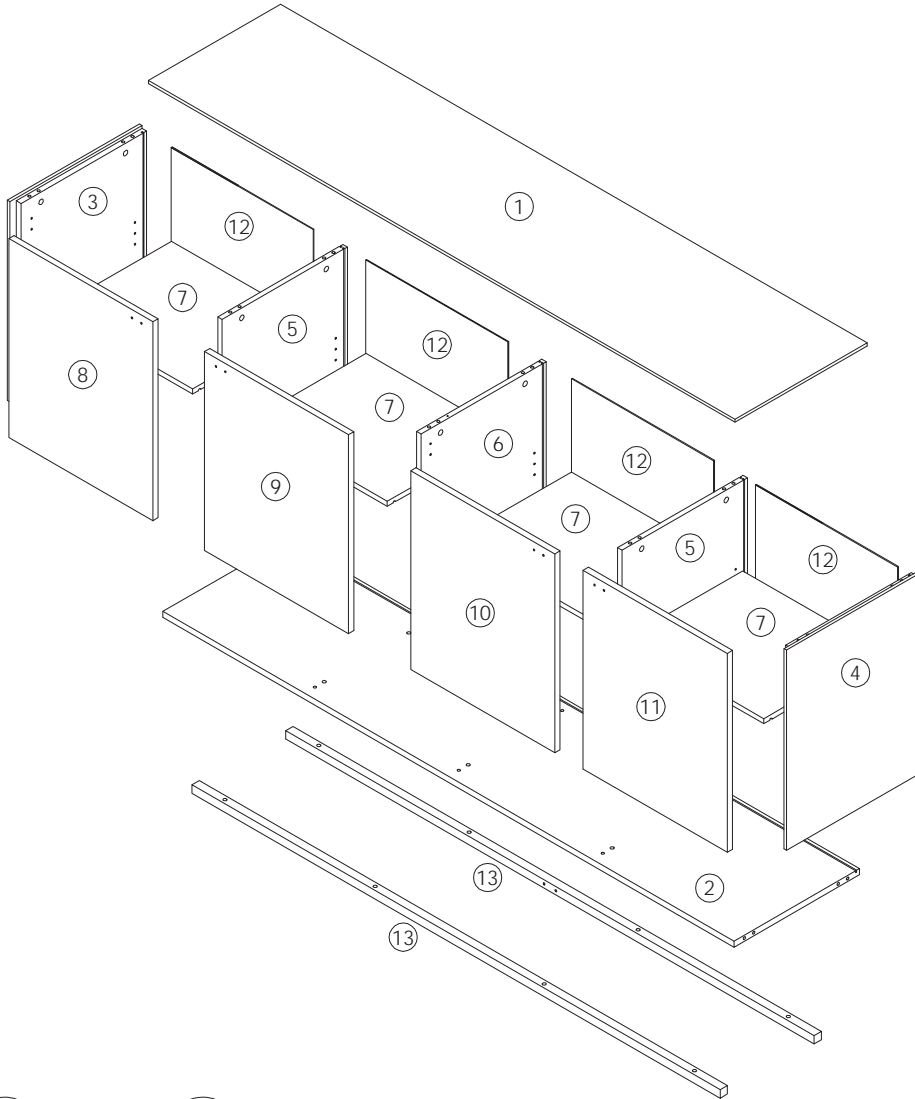


PLEASE NOTE: Check that you have received all components and hardware before assembling.

# Assembly Instructions Sideboard



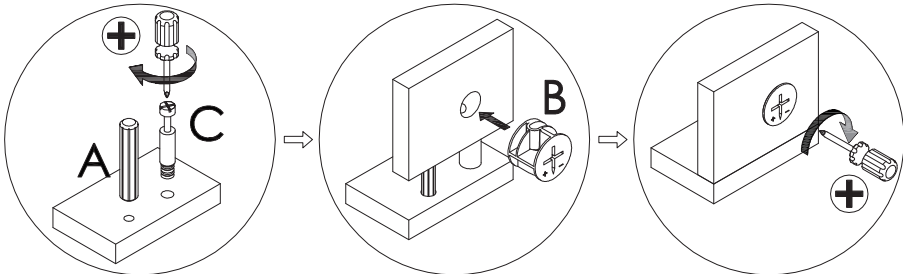
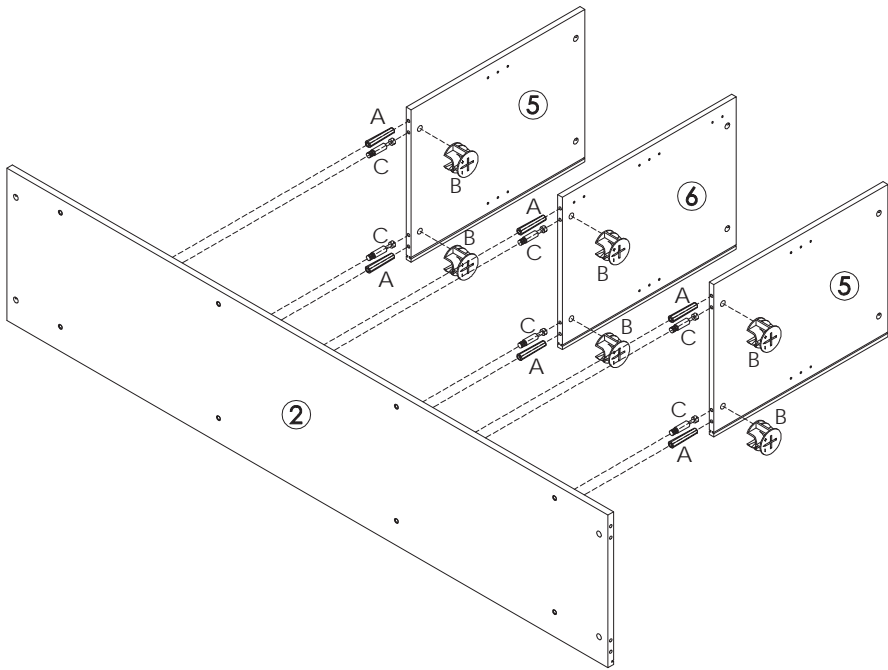
- A (20 pcs) 8x35mm
- B (20 pcs) 15x12mm
- C (20 pcs) 7x35mm
- D (1 pc) 4x21x57mm
- E (8 pcs)
- F (4 pcs)
- G (4 pcs)
- H (8 pcs) 3x18mm
- I (16 pcs) 4x15mm
- J (8 pcs) 4x24mm
- K (4 pcs) 6x15mm
- L (8 pcs) 6x30mm
- M (8 pcs) 6x40mm
- N (20 pcs) 6x10x2mm
- O (20 pcs) 6x14x2mm
- P (8 pcs)
- Q (16 pcs)
- R (4 pcs) 60x25x10mm
- S (1 pc) 295x145x60mm
- T (2 pcs) 438x50x125mm
- U (4 pcs) 20mm
- V (12 pcs) 20mm

During assembly, hand tighten screws only. When the screws are in place, tighten completely.

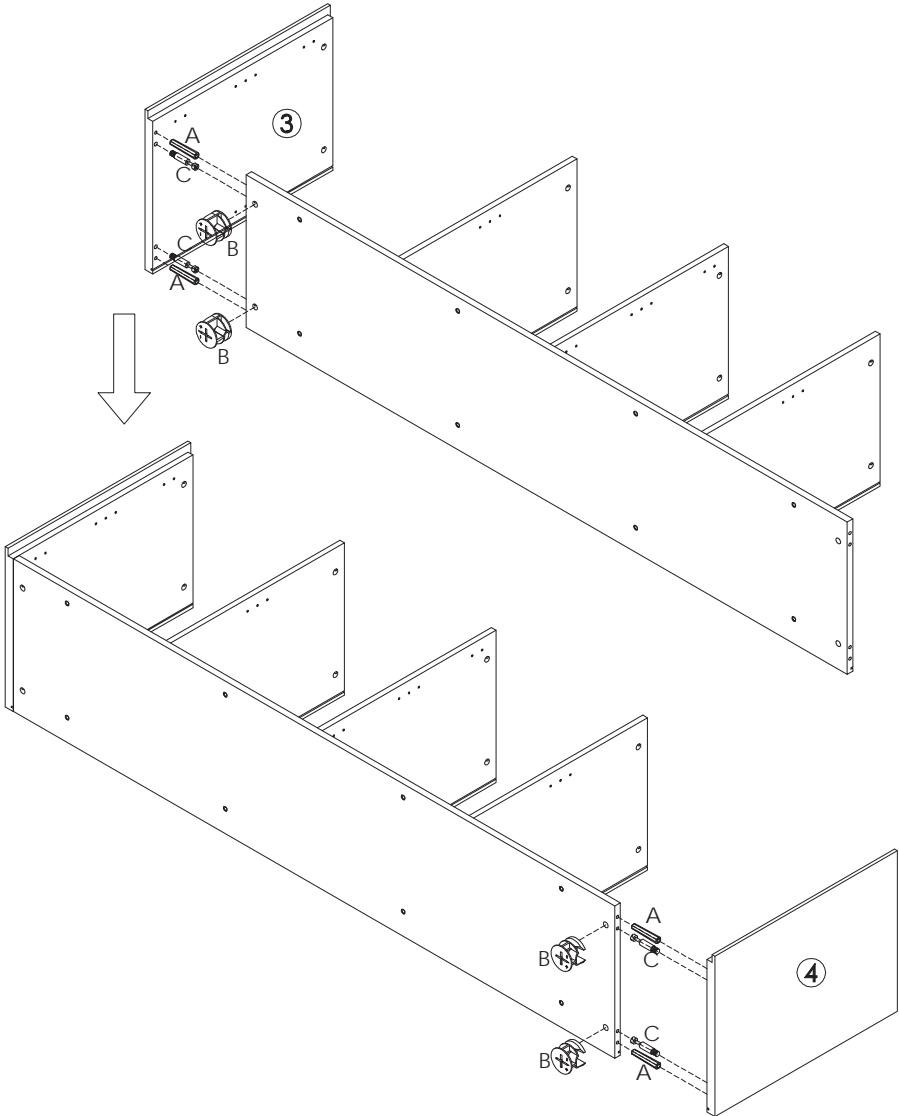
PLEASE NOTE: Check that you have received all components and hardware before assembling.

# Assembly Instructions Sideboard

1



2

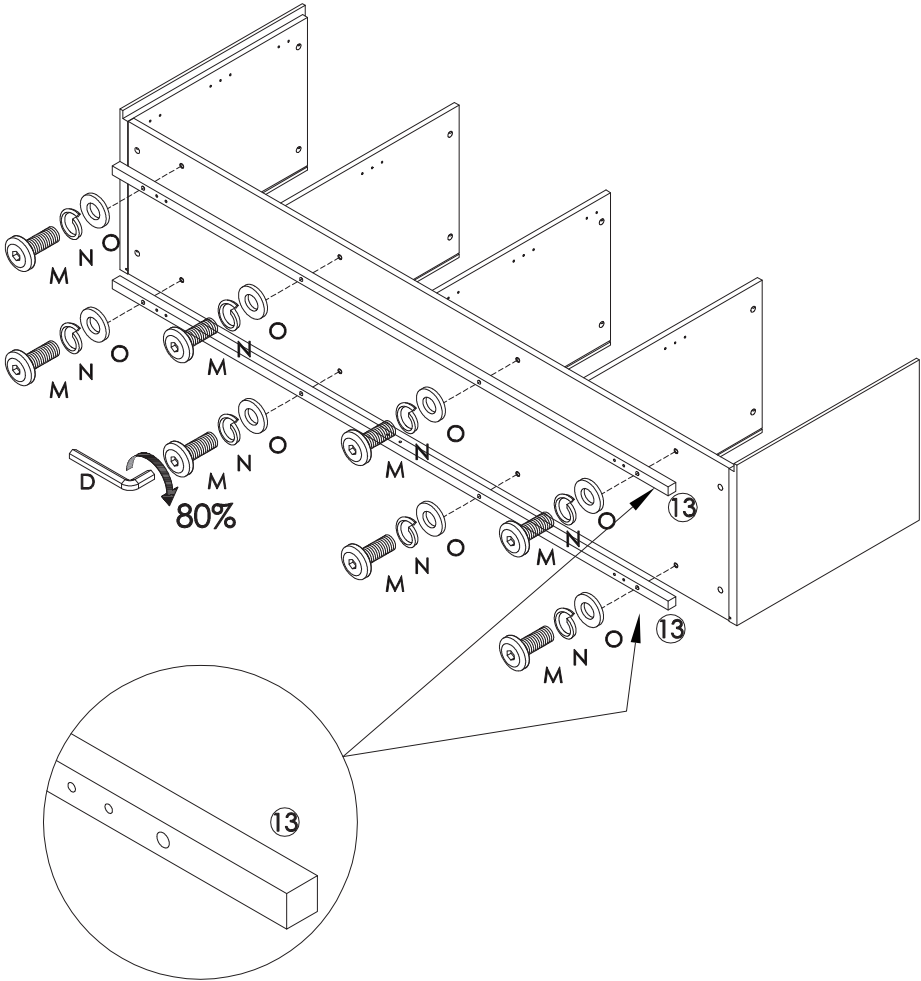


During assembly, hand tighten screws only. When the screws are in place, tighten completely.

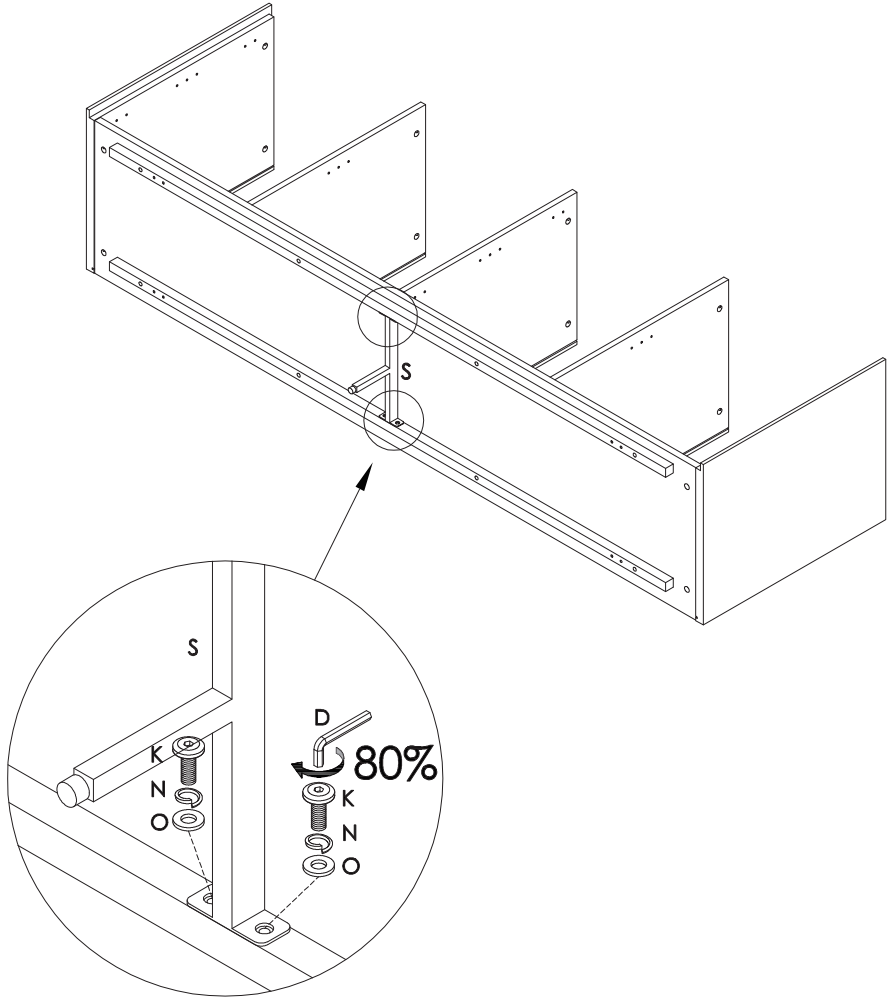
PLEASE NOTE: Check that you have received all components and hardware before assembling.

# Assembly Instructions Sideboard

3



4

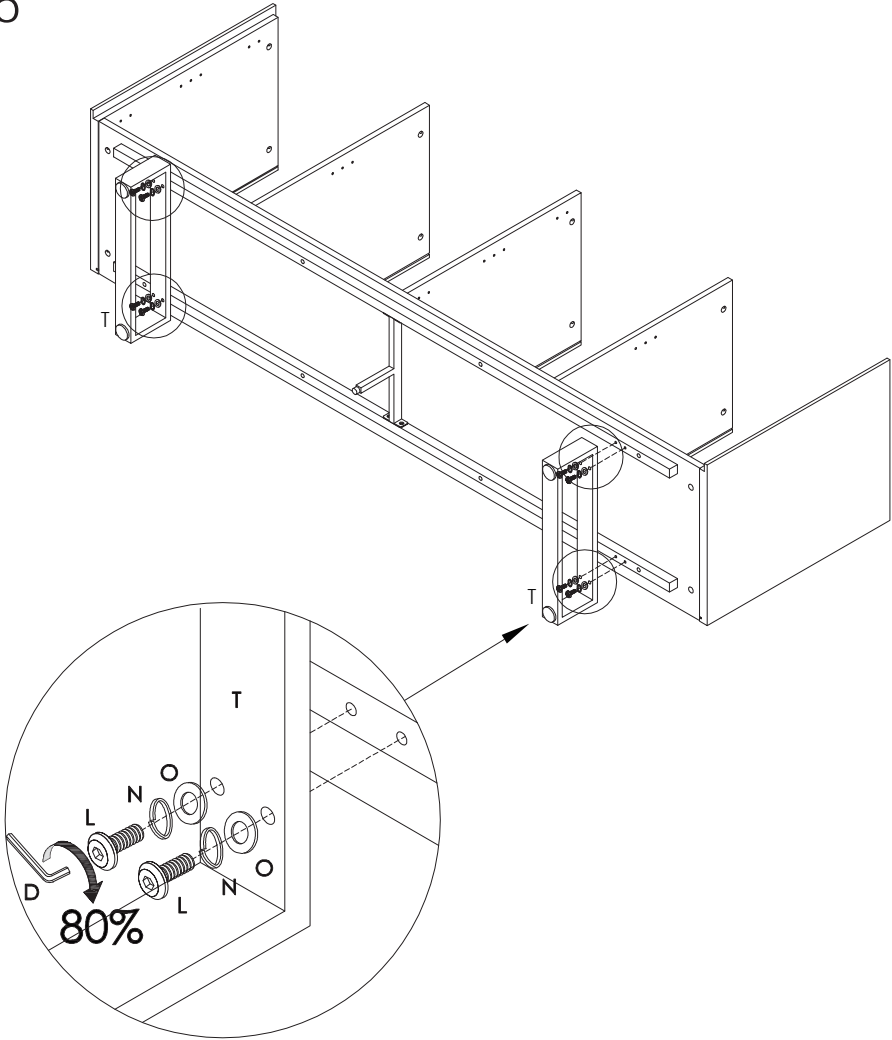


During assembly, hand tighten screws only. When the screws are in place, tighten completely.

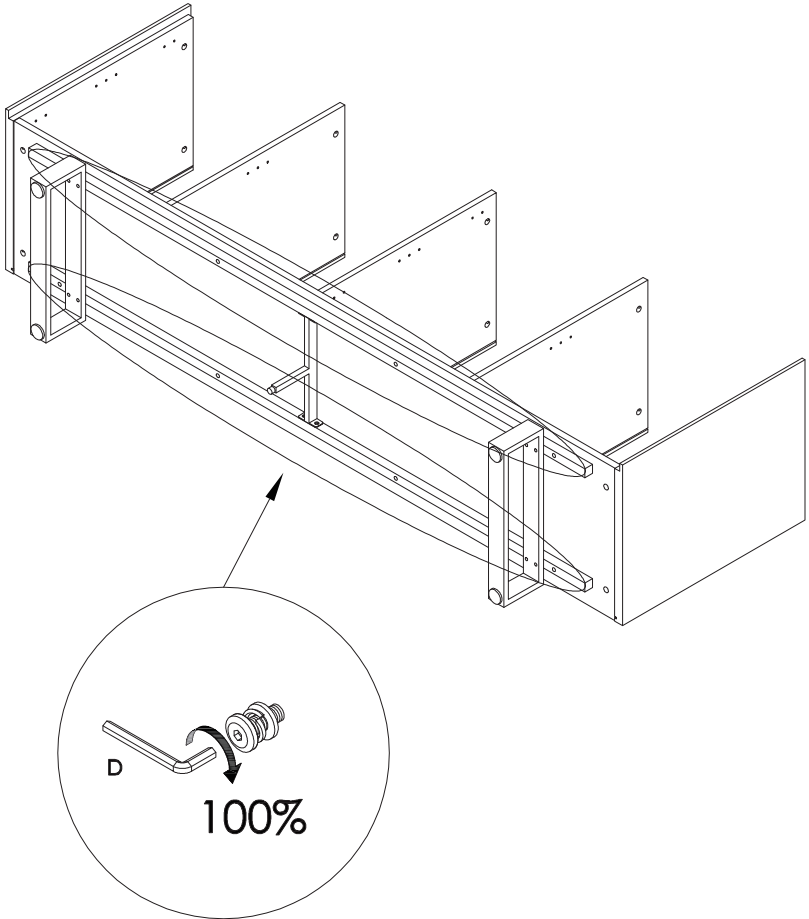
PLEASE NOTE: Check that you have received all components and hardware before assembling.

# Assembly Instructions Sideboard

5



6

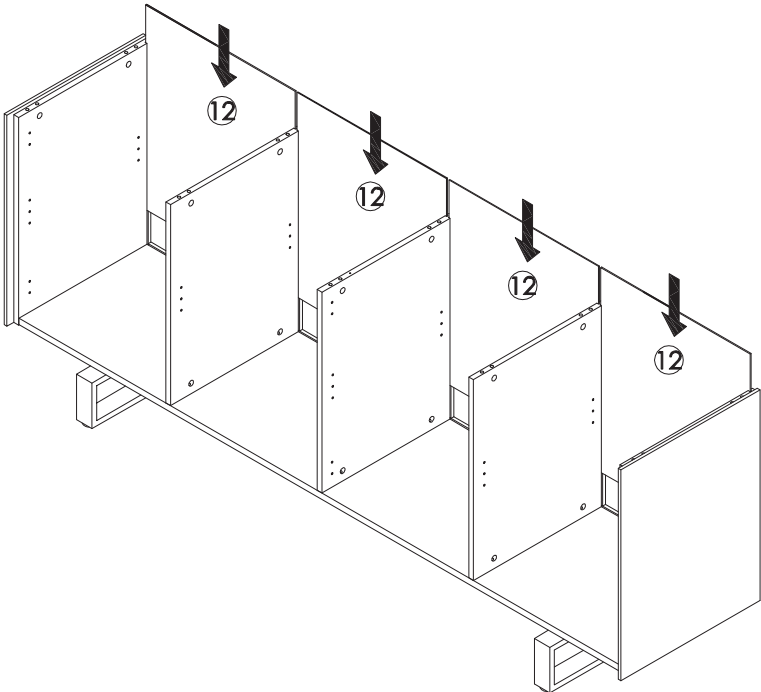


During assembly, hand tighten screws only. When the screws are in place, tighten completely.

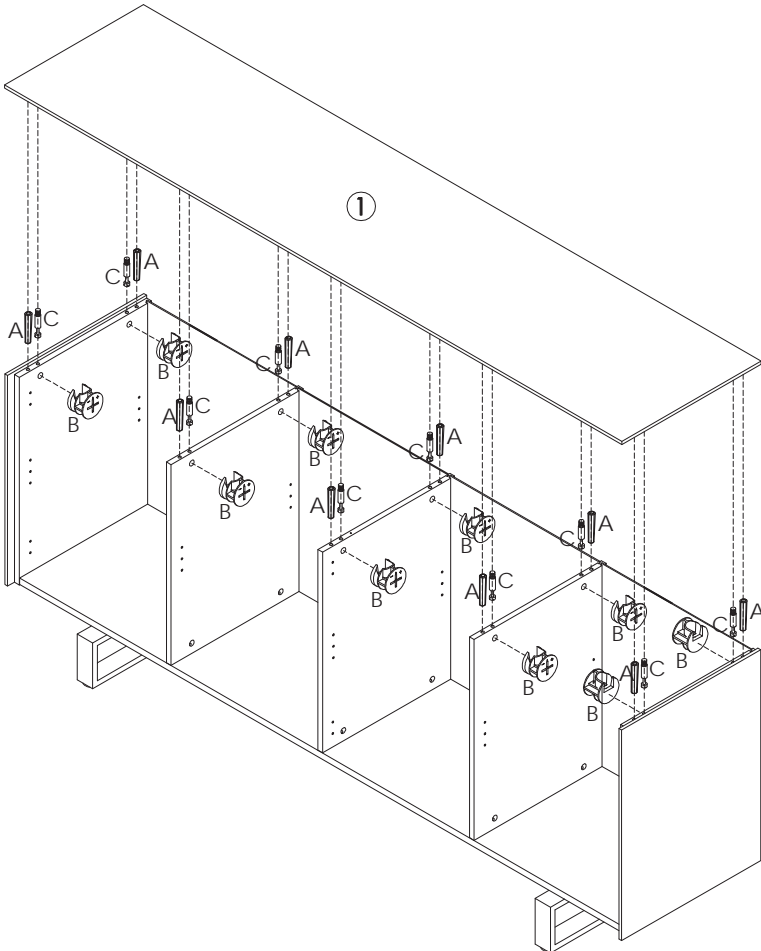
PLEASE NOTE: Check that you have received all components and hardware before assembling.

# Assembly Instructions Sideboard

7



8

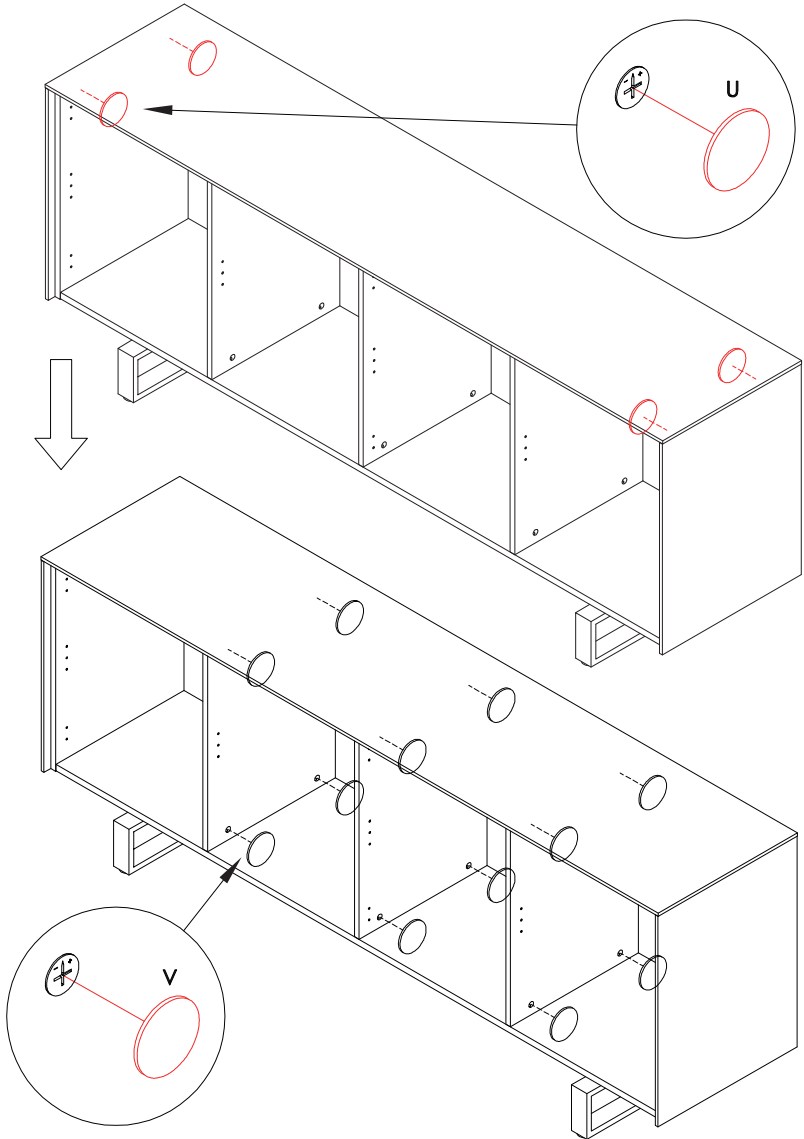


During assembly, hand tighten screws only. When the screws are in place, tighten completely.

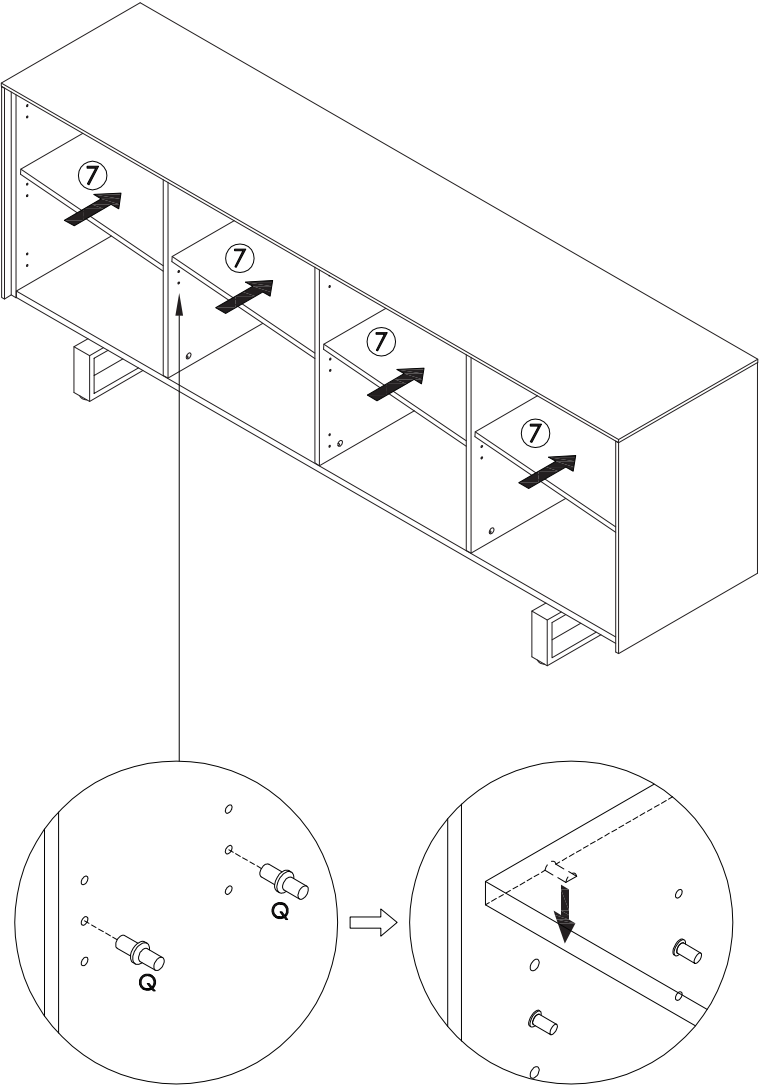
PLEASE NOTE: Check that you have received all components and hardware before assembling.

# Assembly Instructions Sideboard

9



10



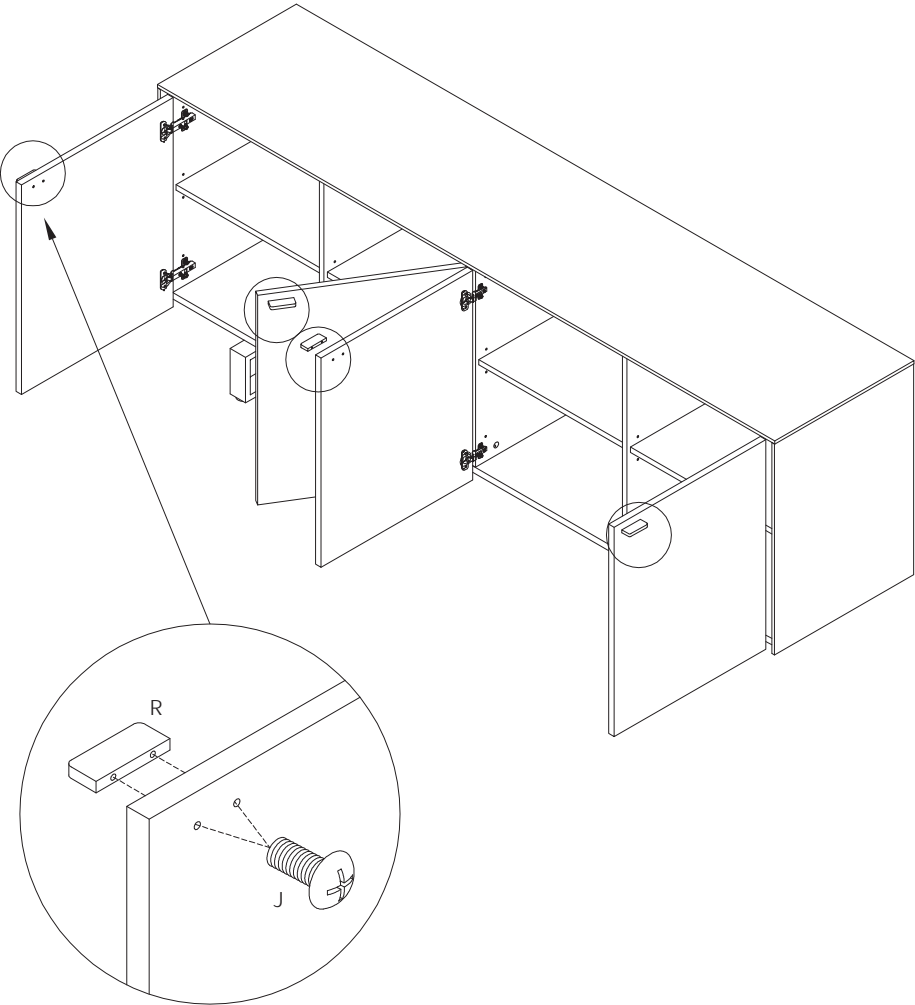
During assembly, hand tighten screws only. When the screws are in place, tighten completely.



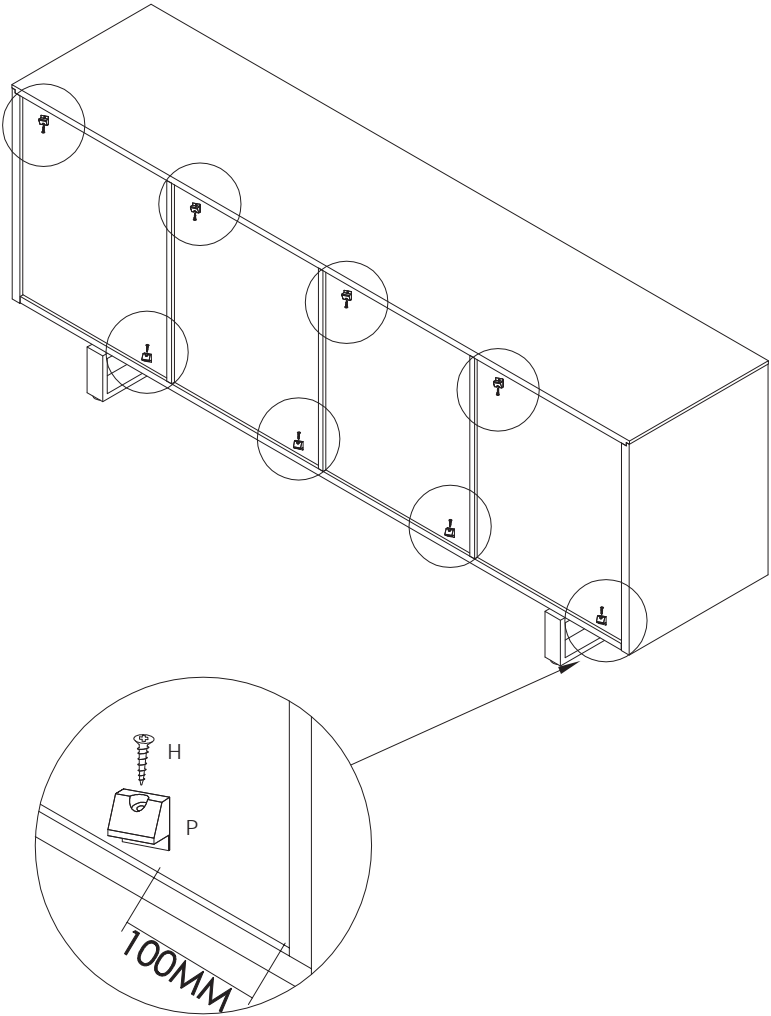
PLEASE NOTE: Check that you have received all components and hardware before assembling.

# Assembly Instructions Sideboard

13



14

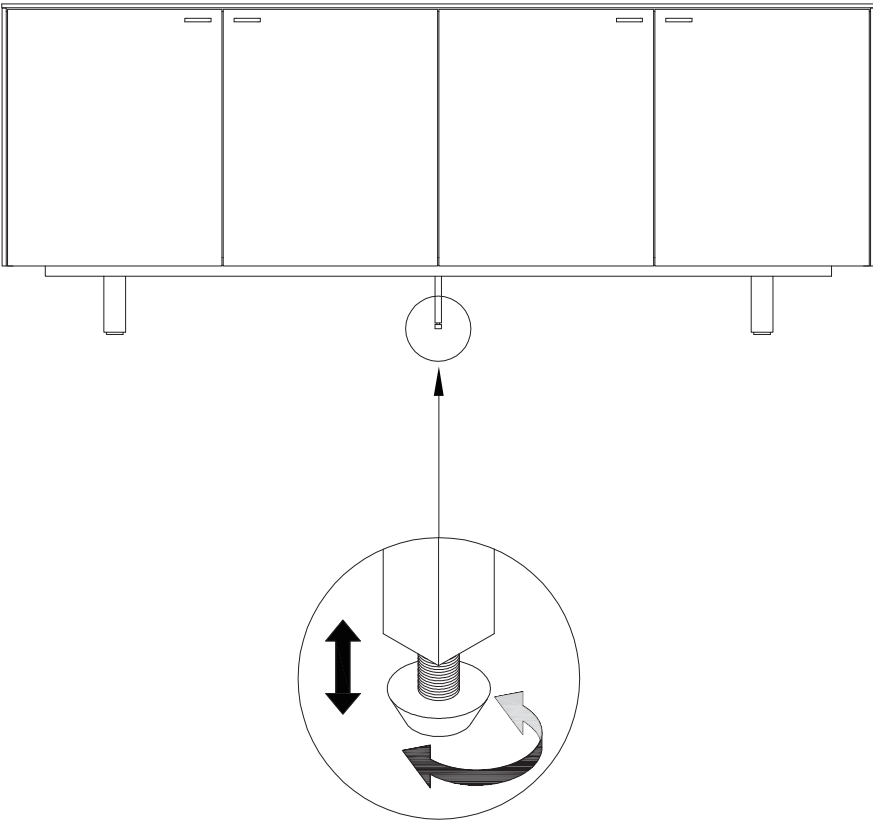


During assembly, hand tighten screws only. When the screws are in place, tighten completely.

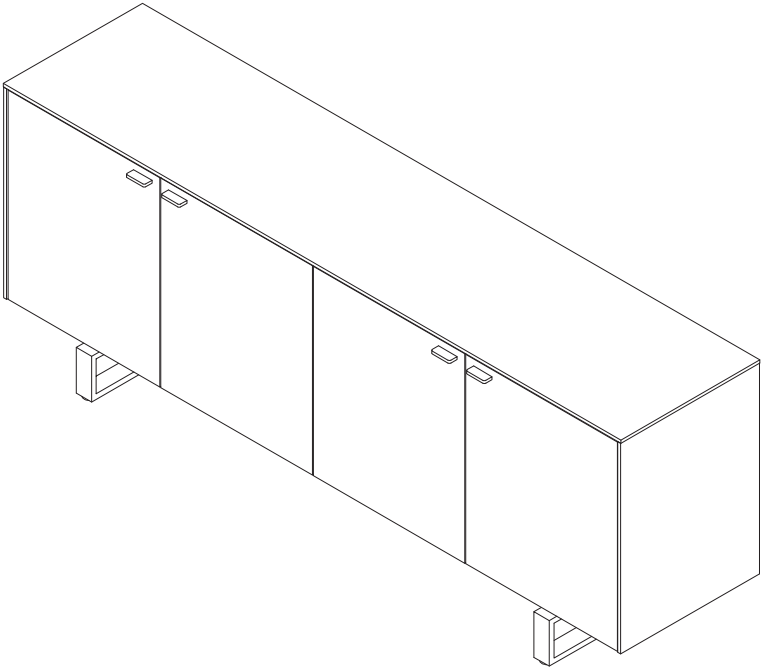
PLEASE NOTE: Check that you have received all components and hardware before assembling.

# Assembly Instructions Sideboard

15



16



During assembly, hand tighten screws only. When the screws are in place, tighten completely.