

240W UFO LED High Bay Light



HIGHVOLTAGE-WEN-HB05-240WSACGH2-BH57

Note:

WEN= Company name

HB05 = Product series, LED High Bay Light

240W = Rating Power

S= Driver manufacturer

A = LED manufacturer, Hongli 2835

CG = Cover type, Flat clear glass

D2 = Version number

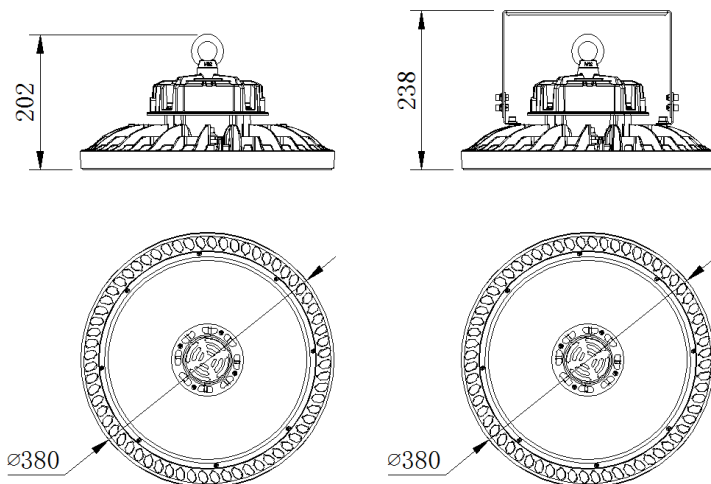
aaK = CCT, 57K=5700K

[all colors]-Lamp body color

[M;Blank]-Motion sensor

[S;Blank]- Surge protector

DIMENSIONS



ADVANTAGE

UL, DLC certificate.

IP65 driver, input voltage 200-480VAC

No UV or IR in the beam.

Easy to install and operate.

Energy saving, long lifespan.

Light is soft and uniform, safe to eyes.

Instant start, NO flickering, NO humming.

Green and eco-friendly without mercury.

APPLICATION

Warehouse, factory and workshops;

Highway toll station and gas station;

Exhibition hall;

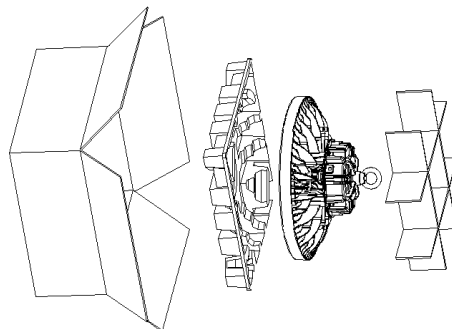
Gymnasium and supermarkets, etc.

SPECIFICATIONS

OPTICAL	Input Power	240W
	Lumen	31000 -34000LM
	Lumen Efficacy	130 -145 LM/W
	Color Temperature	5700K
	CRI	>80
	Viewing Angle	110 Degree
ELECTRICAL	Input Voltage	200-480VAC
	PF	≥0.9
	THD	≤20%
	Driver Model	(1-10Vdc Dimmer)
	Optional Accessory	Motion Sensor/ Surge protector
MATERIALS	LED Type	SMD2835 (0.5W)
	LED QTY	750 PCS
	Housing	Aluminum Alloy
	Housing Color	Any colors
	Cover	Flat clear glass
	Waterproof Rating	WET (IP65)
OTHERS	Operating Temperature	-40℃ TO 50℃
	Operating Humidity	10%-90% RH
	Storage Temperature	-40℃ TO 80℃
	Storage Humidity	10%-95% RH
	Warranty Time	5 Years

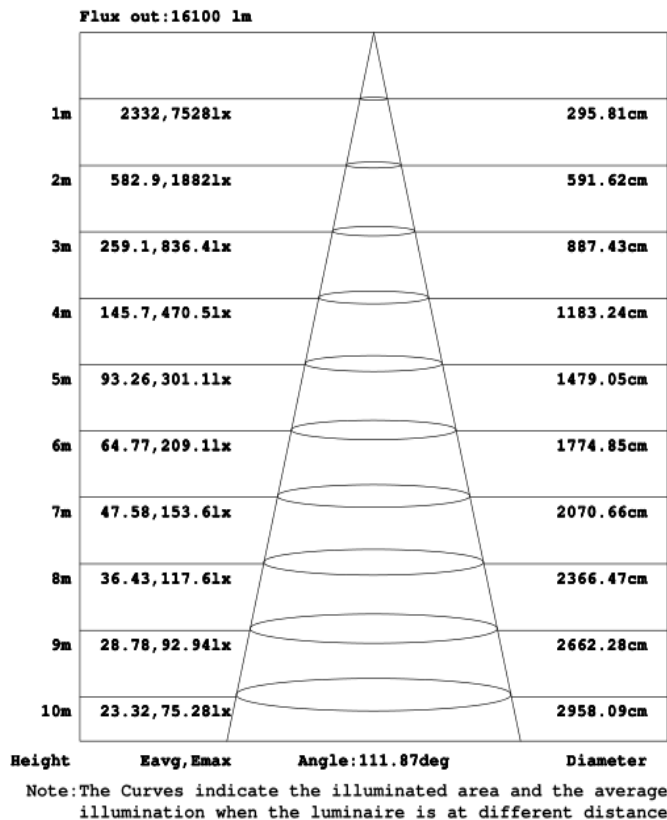
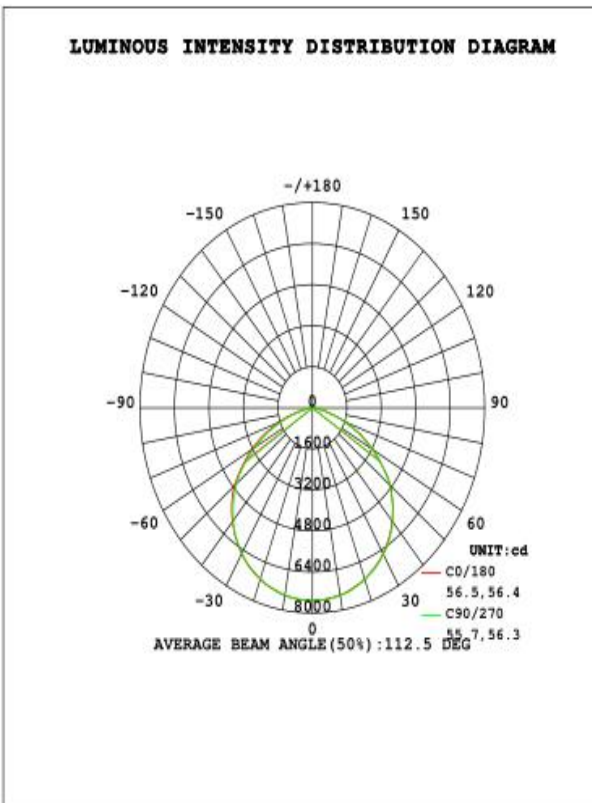
PACKAGE

	Size	Qty / Carton	Net Weight / Carton	Gross Weight / Carton
Outer box	442x442x206 MM	1 PC	5.4 KG	6.5 KG



LIGHT DISTRIBUTION TESTING PARAMETERS

DATA OF LAMP		PHOTOMETRIC DATA Eff: 139.87 lm/W			
MODEL		I _{max} (cd)	7519	S/MH (C0/180)	1.30
NOMINAL POWER (W)	150	LOR (%)	100.0	S/MH (C90/270)	1.29
RATED VOLTAGE (V)	120	TOTAL FLUX (lm)	20799	η UP, DN (C0-180)	0.2, 50.1
NOMINAL FLUX (lm)	20799.1	CIE CLASS	DIRECT	η UP, DN (C180-360)	0.1, 49.6
LAMPS INSIDE	1	η up (%)	0.3	CIBSE SHR NOM	1.25
TEST VOLTAGE (V)	120.0	η down (%)	99.7	CIBSE SHR MAX	1.35



NOTICE FOR USER

- Please turn off power before install or change assembly parts.
- The input voltage and lamps should be matched, after connecting the power line,
- Please make sure the wiring section is insulated.
- No-professionals, must not install and disassemble the lamps.

TROUBLE SHOOTINGS

Troubles	Check points
Flickering of the light	Turn off the power and turn on again in 3 minutes. If same phenomena occur, then call agencies.
Out of working	Please check the connection.