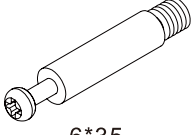
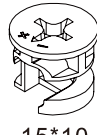

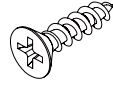
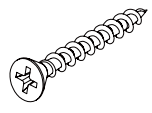
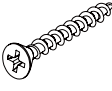
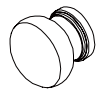
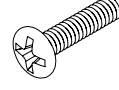
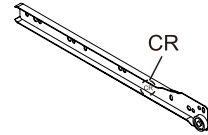
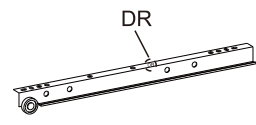
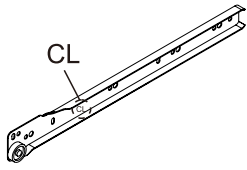
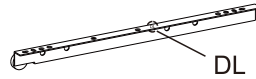
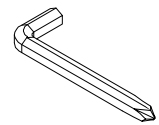




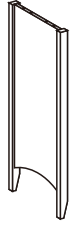



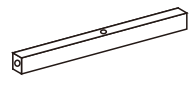
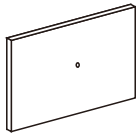


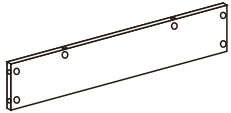



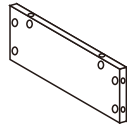
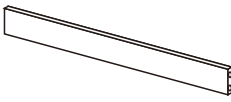
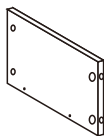
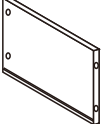
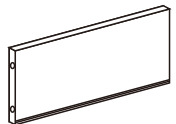
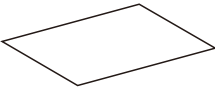
Attention: Don't tighten the screw before all screws are in place

UESR'S MANUAL

Hardware List

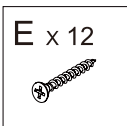
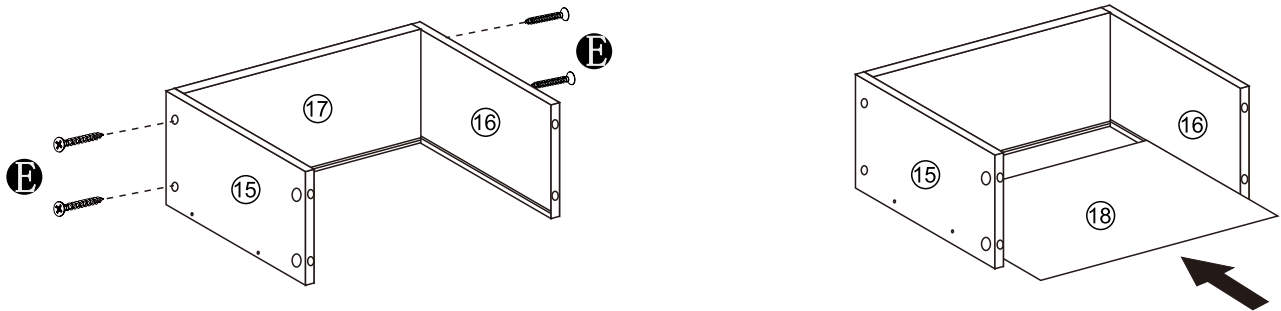
- | | | | | |
|--|--|---|--|--|
| <p>A</p>  <p>6*35
(44PCS)</p> | <p>B</p>  <p>15*10
(44PCS)</p> | <p>C</p>  <p>6*30
(12PCS)</p> | <p>D</p>  <p>M3*12
(30PCS)</p> | <p>E</p>  <p>M4*30
(12PCS)</p> |
| <p>F</p>  <p>M4*25
(1PC)</p> | <p>G</p>  <p>(3PCS)</p> | <p>H</p>  <p>M4*20
(3PCS)</p> | <p>I</p>  <p>CR
(3PCS)</p> | <p>J</p>  <p>DR
(3PCS)</p> |
| <p>K</p>  <p>CL
(3PCS)</p> | <p>L</p>  <p>DL
(3PCS)</p> | <p>M</p>  <p>(1PC)</p> | | |

Panel List

- | | | | | | | | | | |
|---|---|---|---|---|---|---|--|---|---|
| ① |  | ② |  | ③ |  | ④ |  | ⑤ |  |
| | *1 | | *1 | | *1 | | *2 | | *1 |
| ⑥ |  | ⑦ |  | ⑧ |  | ⑨ |  | ⑩ |  |
| | *3 | | *1 | | *1 | | *1 | | *1 |
| ⑪ |  | ⑫ |  | ⑬ |  | ⑭ |  | ⑮ |  |
| | *1 | | *1 | | *1 | | *1 | | *3 |
| ⑯ |  | ⑰ |  | ⑱ |  | | | | |
| | *3 | | *3 | | *3 | | | | |

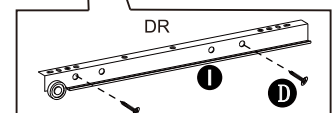
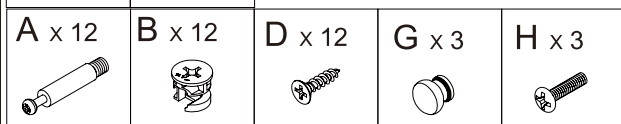
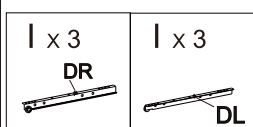
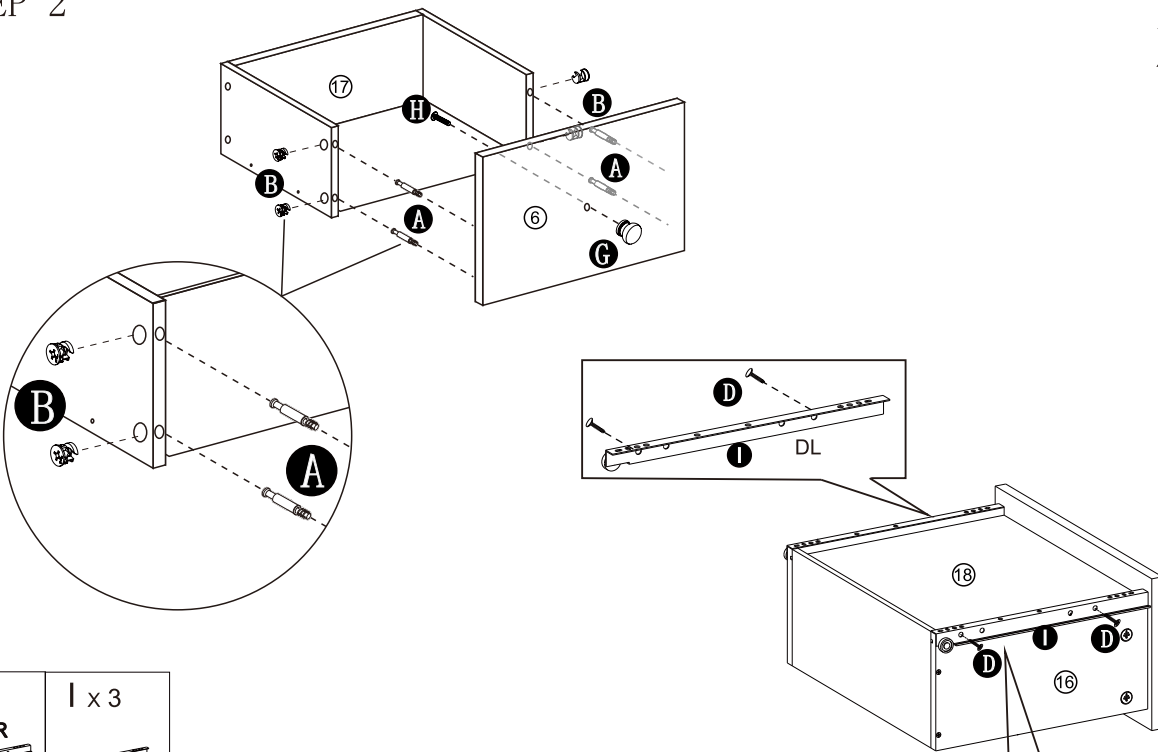
STEP 1

x3

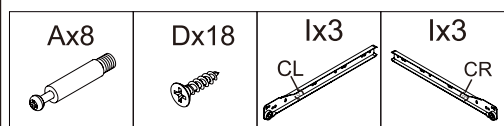
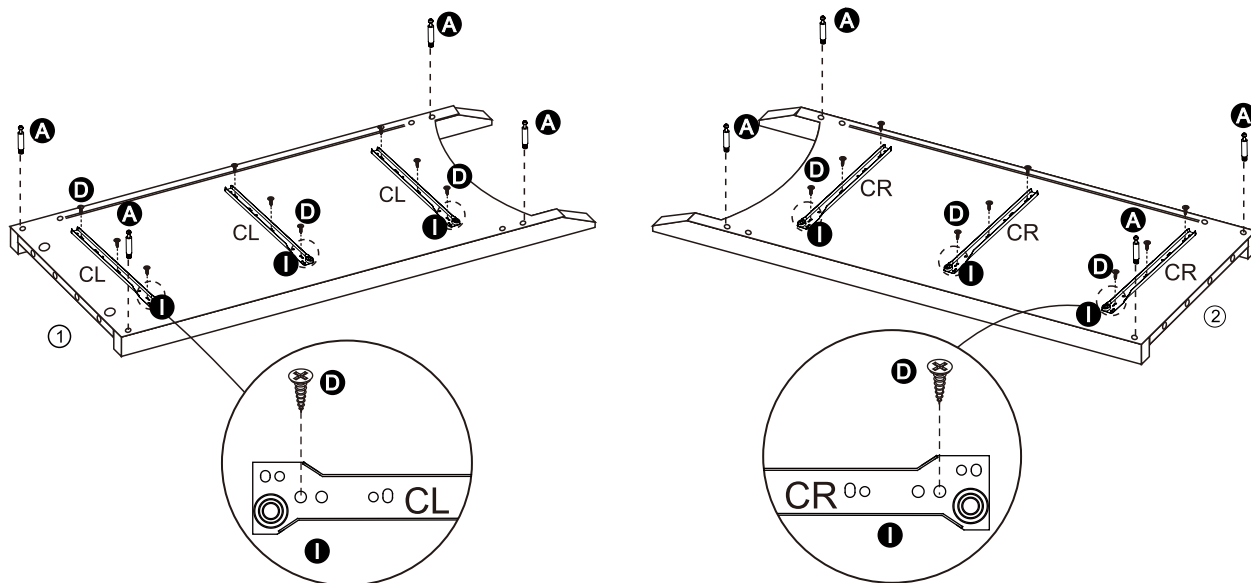


STEP 2

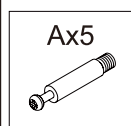
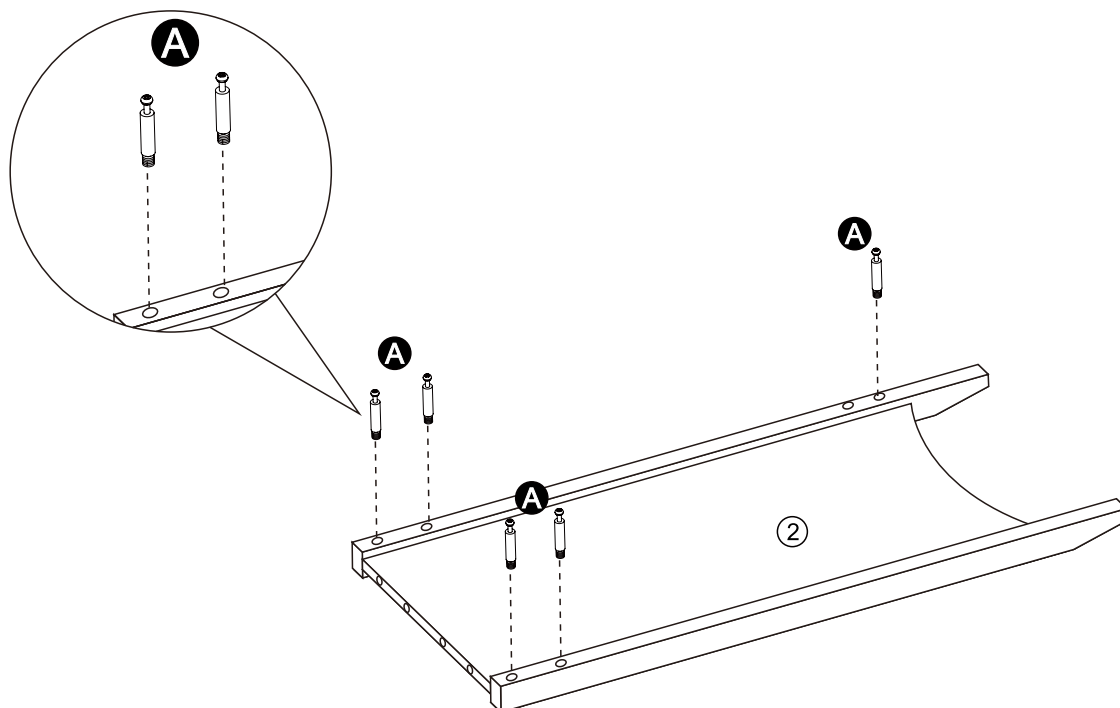
x3



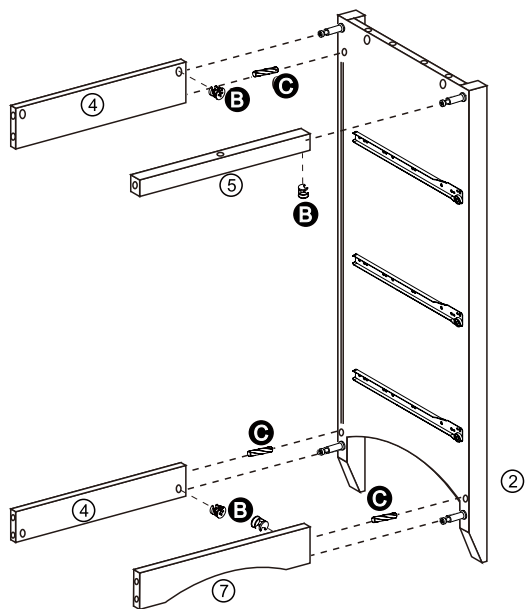
STEP 3



STEP 4



STEP 5

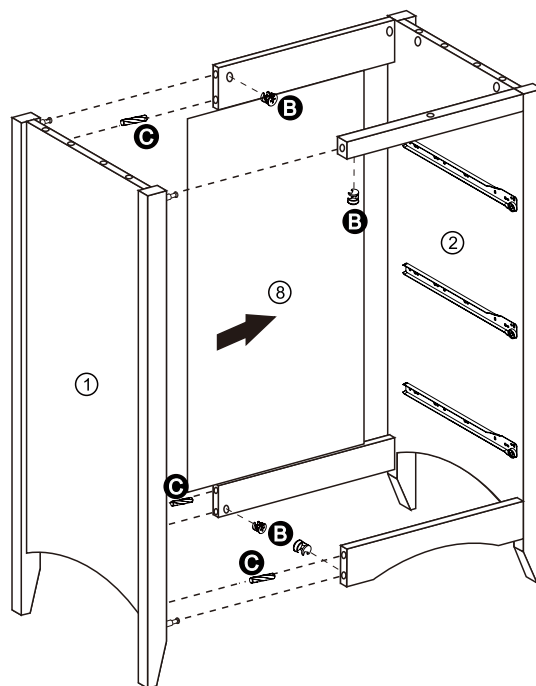


Bx4

Cx3



STEP 6

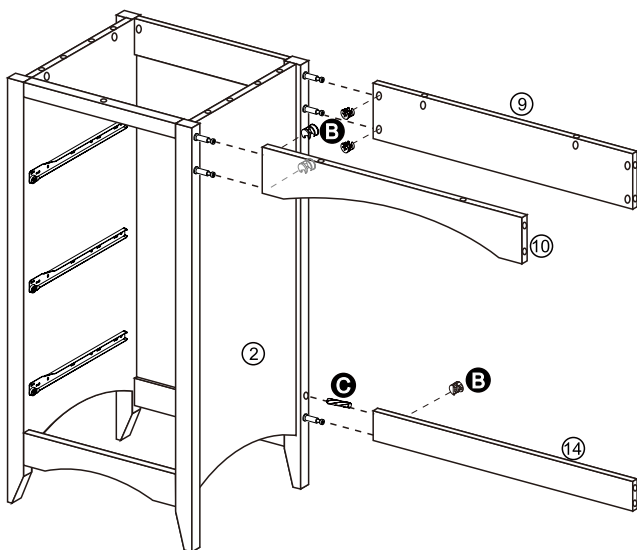


Bx4

Cx3



STEP 7

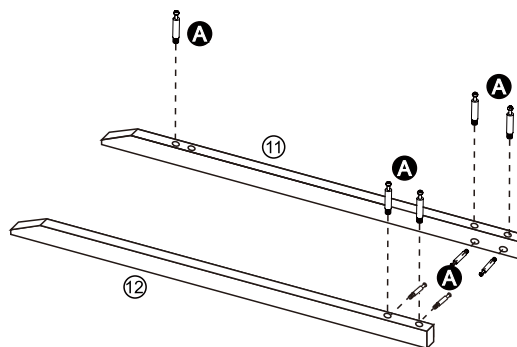


Bx5

Cx1



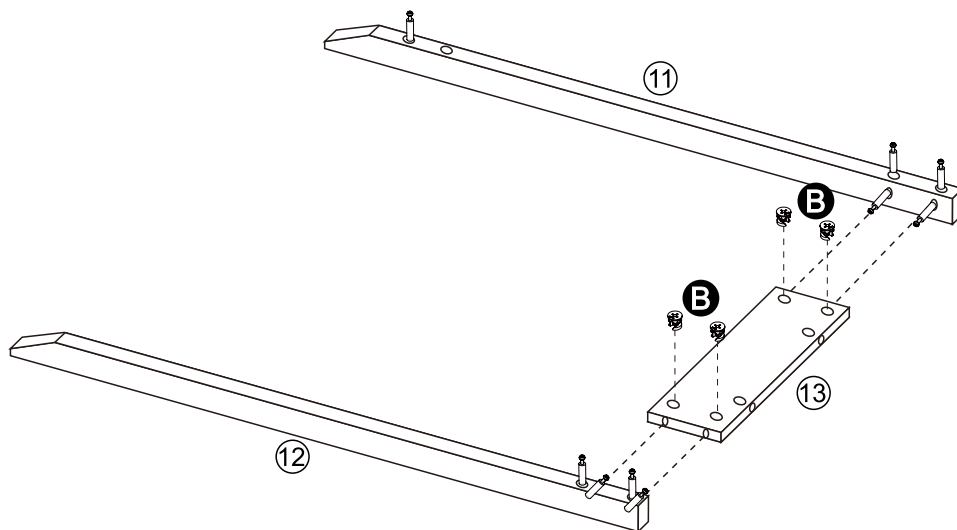
STEP 8



Ax9

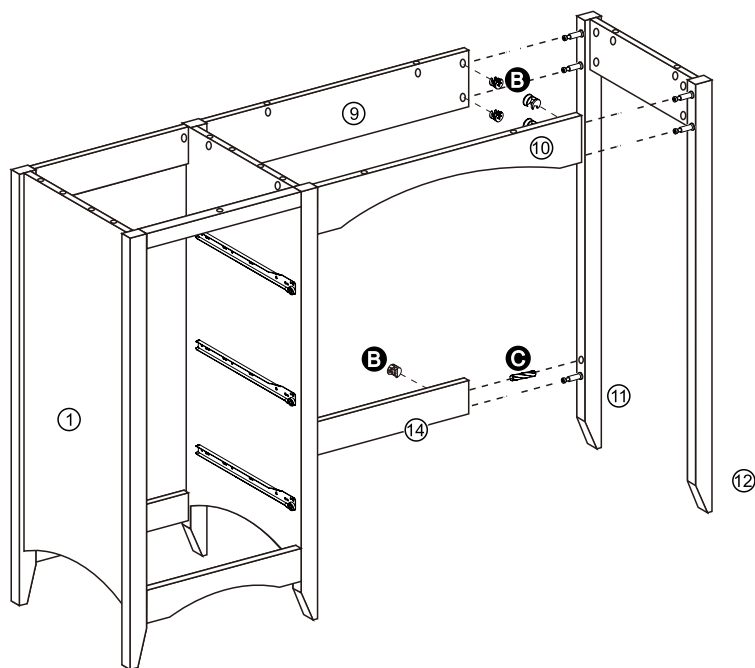


STEP 9



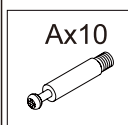
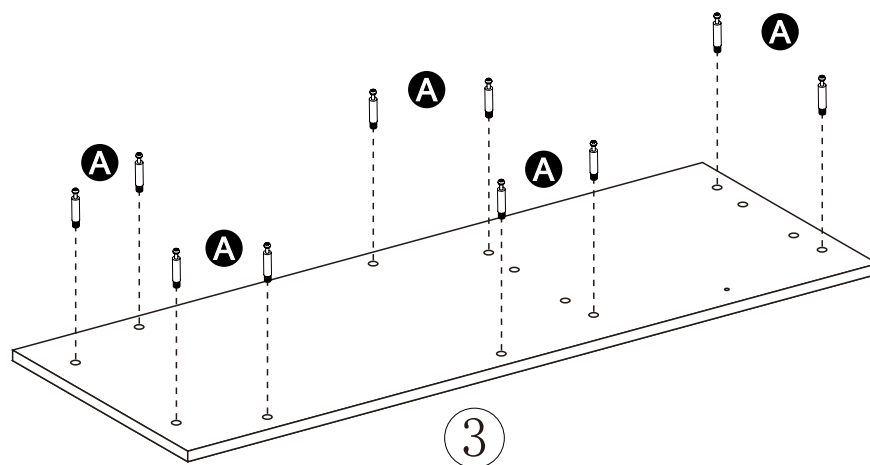
Bx4

STEP 10

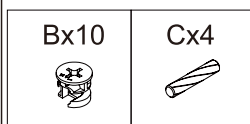
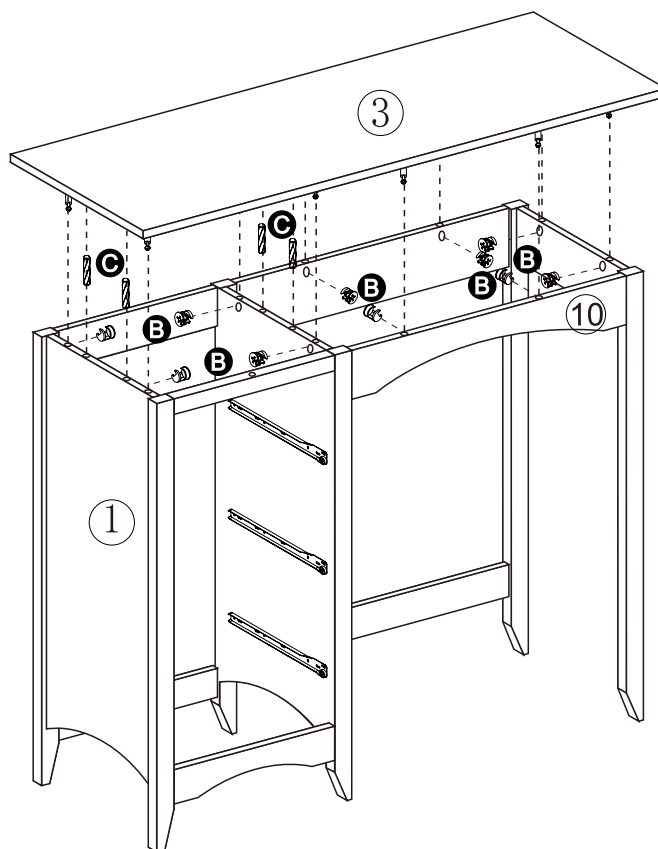


Bx5	Cx1

STEP 11



STEP 12



STEP 13



Fx1



STEP 14

