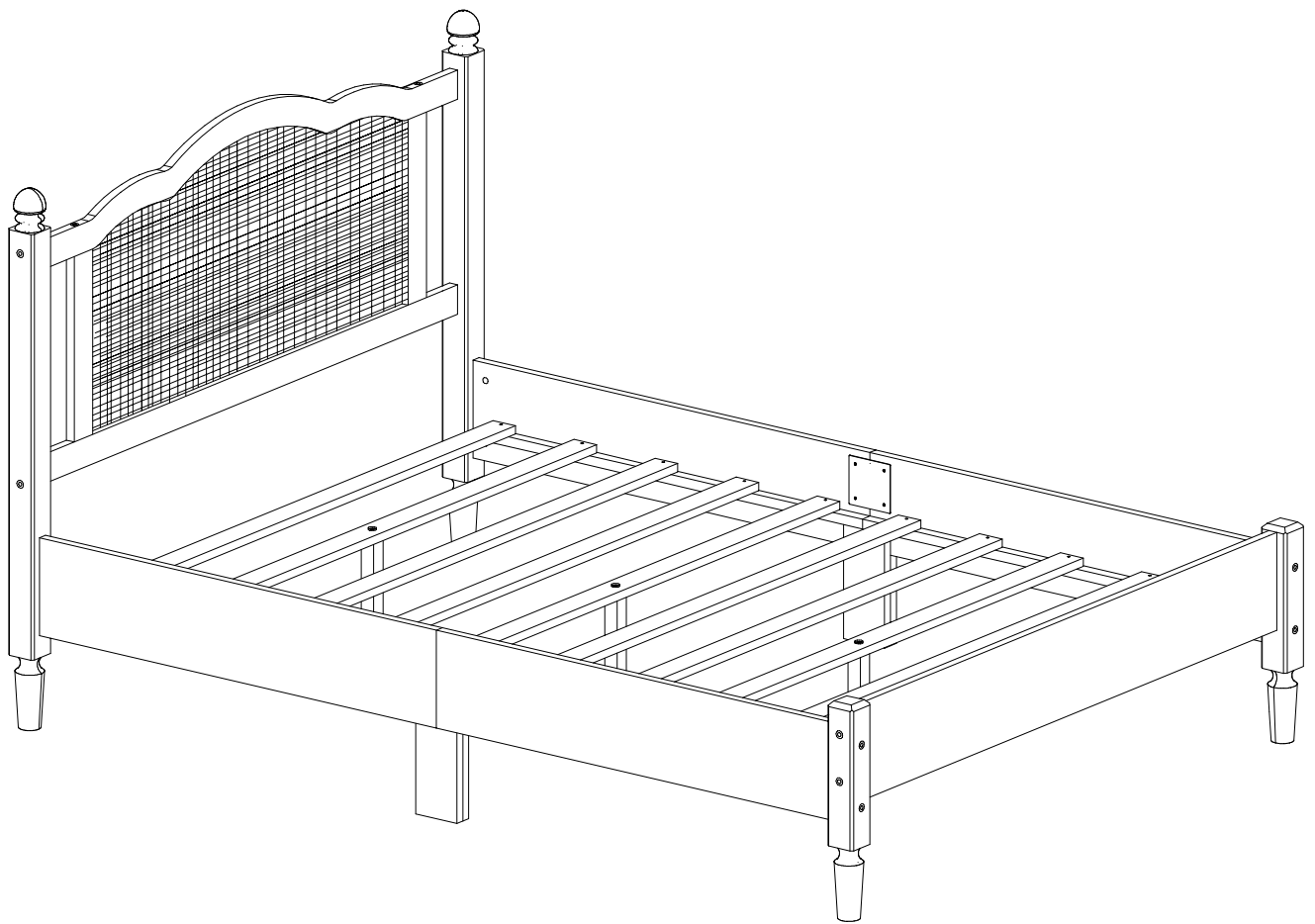


ASSEMBLY INSTRUCTION

SKU CODE: (N733P180014)

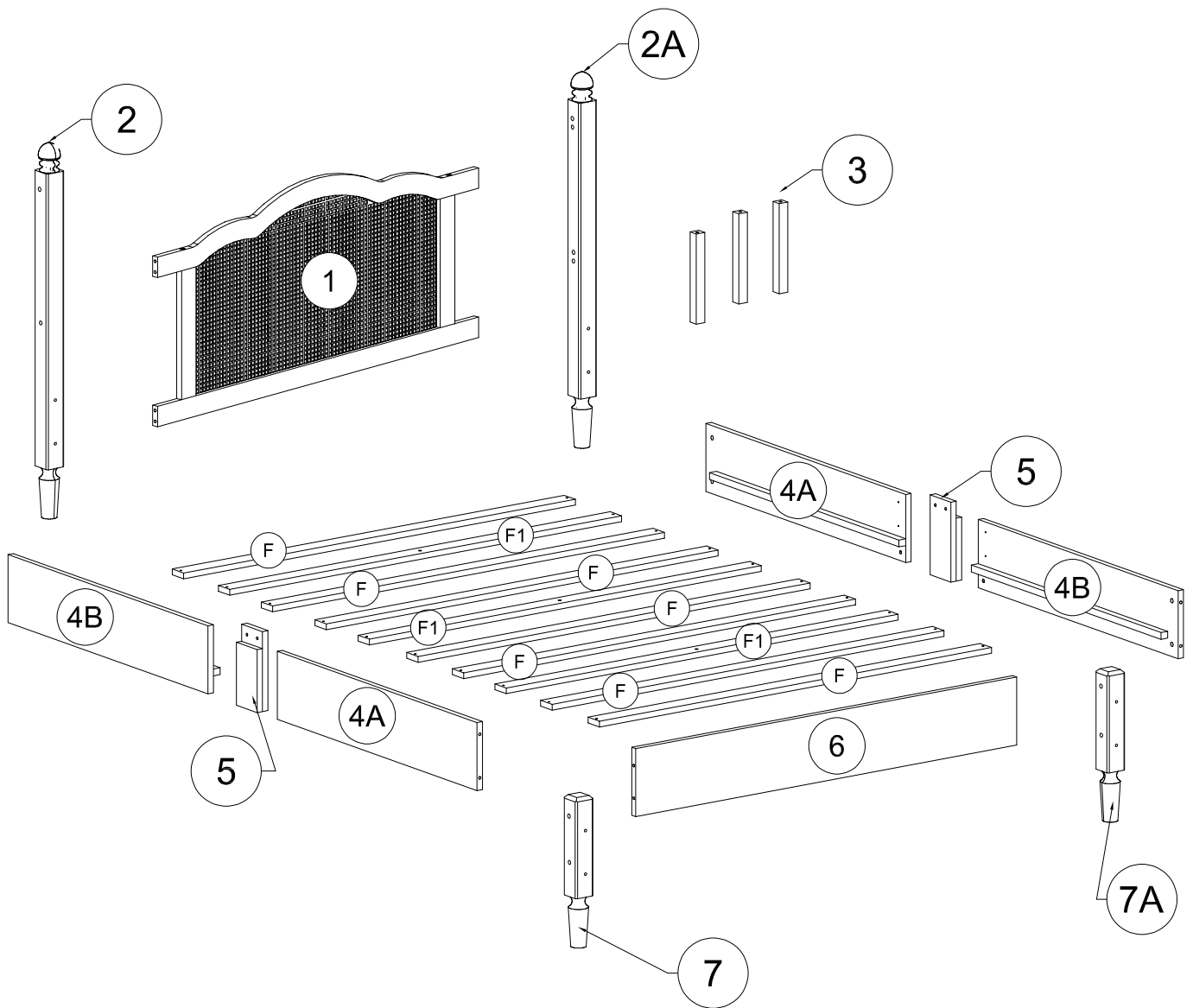
INSTRUCTIONS DE MONTAGE

SKU CODE: (N733P180014)



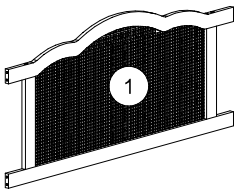
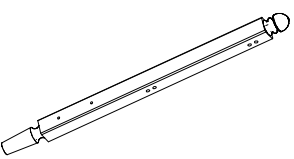
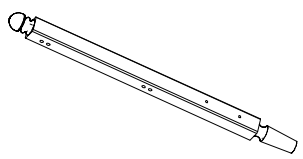
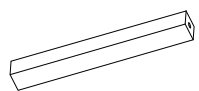
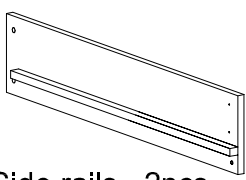
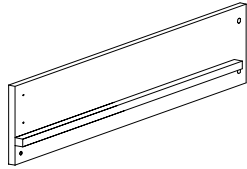
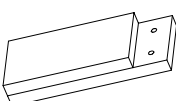
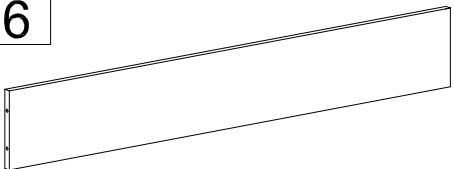
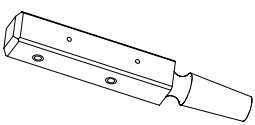
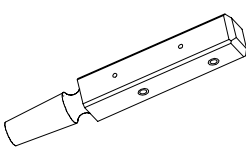
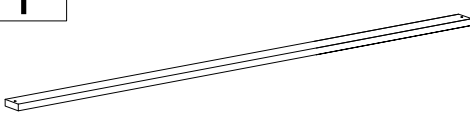
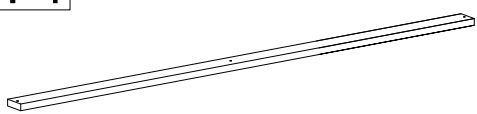
ASSEMBLY INSTRUCTION

INSTRUCTIONS DE MONTAGE



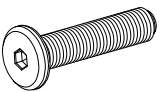
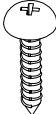
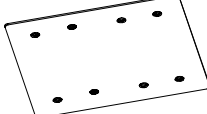
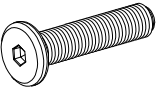
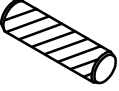
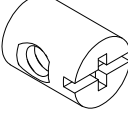


Part List (N733P180014)

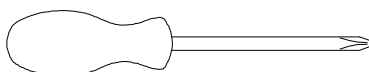
Liste des pièces (N733P180014)

| | | |
|----------------------------------------------------------------------------------------------------------------------------------------------------|---------------------------------------------------------------------------------------------------------------------------------------------------------------|-----------------------------------------------------------------------------------------------------------------------------------------------------------------|
| <p>1</p>  <p>Headboard - 1pc Tête de lit - 1pièces</p> | <p>2</p>  <p>Leg - 1pc Jambe - 1pièces</p> | <p>2A</p>  <p>Leg - 1pc Jambe - 1pièces</p> |
| <p>3</p>  <p>Legs - 3pcs Jambes - 3pièces</p> | <p>4A</p>  <p>Side rails - 2pcs Barrières latérales - 2pièces</p> | <p>4B</p>  <p>Side rails - 2pcs Barrières latérales - 2pièces</p> |
| <p>5</p>  <p>Legs - 2pcs Jambes - 2pièces</p> | <p>6</p>  <p>Footboard - 1pc Marchepied - 1pièces</p> | <p>7</p>  <p>Leg - 1pc Jambe - 1pièces</p> |
| <p>7A</p>  <p>Leg - 1pc Jambe - 1pièces</p> | <p>F</p>  <p>Slats - 7pcs Lattes - 7pièces</p> | <p>F1</p>  <p>Slats - 3pcs Lattes - 3pièces</p> |

Hardware List (N733P180014)

Liste du matériel (N733P180014)

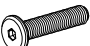
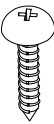

| | | |
|---------------------------------------------------------------------------------------------------------------------------------------------------------------------------------------|--------------------------------------------------------------------------------------------------------------------------------------------------------------------|------------------------------------------------------------------------------------------------------------------------------------------------------------------------------------------------|
| A  1/4" x 30mm Hex-Head bolts 7pcs Boulons à tête hexagonale 1/4" x 30 mm 7pièces | B  #4 x 15 mm Wood Screws 16pcs Vis à bois n° 4 x 15 mm 16pièces | C  iron plate 2pcs plat en fer 2pièces |
| D  1/4" x 100mm Hex-Head bolts 16pcs Boulons à tête hexagonale 1/4" x 100mm 16pièces | E  Ø8 x 30 mm Wood dowel 4pcs Cheville en bois Ø8 x 30 mm 4pièces | G  1/4" x 15mm Horizontal -Hole bolts 16pcs Boulons à trou horizontal 1/4" x 15 mm 16pièces |
| H  #4 x 30 mm Wood Screws 20pcs Vis à bois n° 4 x 30 mm 20pièces | I  Allen Key 1pcs Clé Allen 1pièces | |

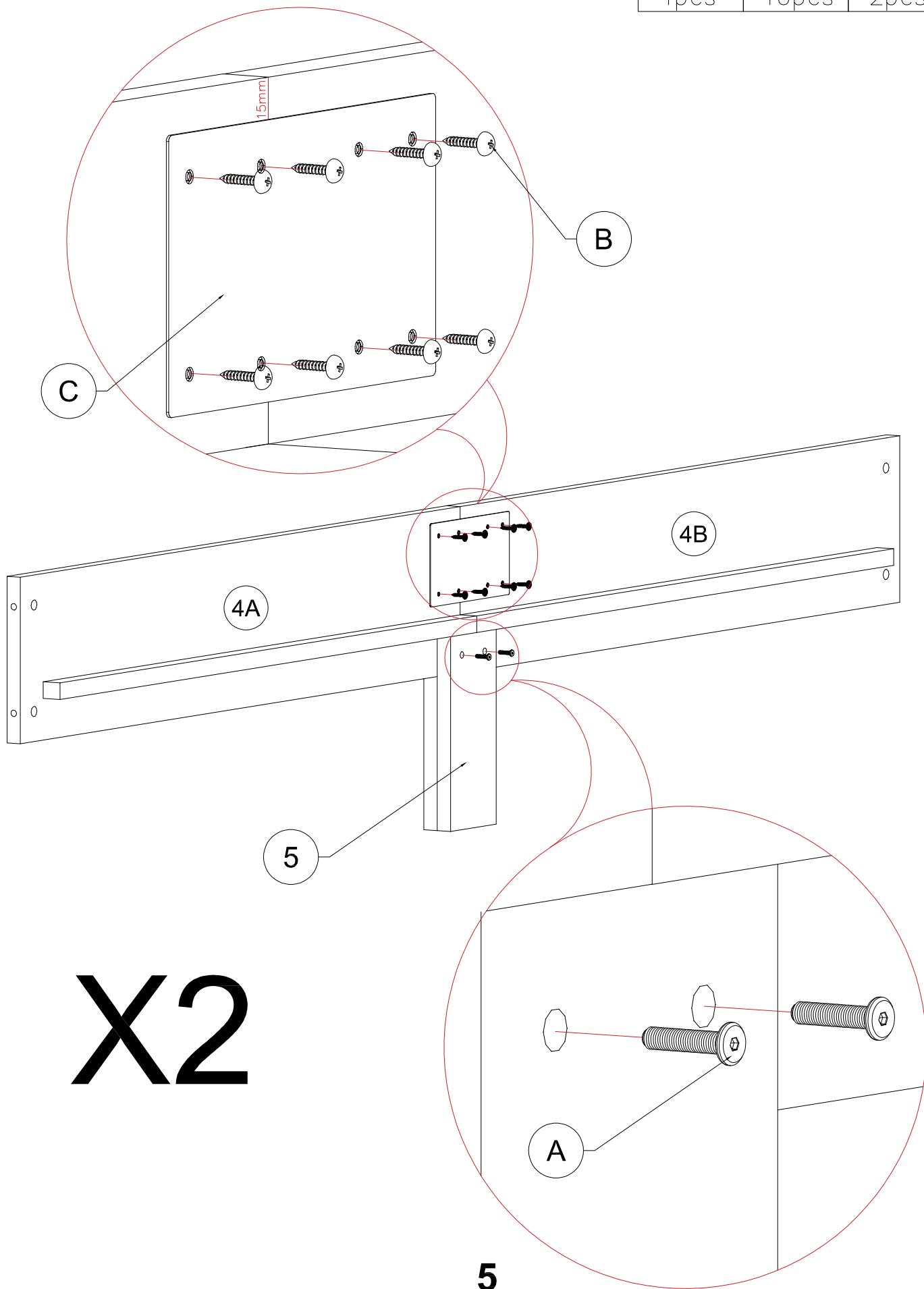


Assembly Tools Required (Not Included)
Outils d'assemblage requis (non inclus)

STEP 1: Following below illustration:

ÉTAPE 1 : Suivez l'illustration ci-dessous :

| A | B | C |
|-------------------------------------------------------------------------------------|------------------------------------------------------------------------------------|-------------------------------------------------------------------------------------|
|  |  |  |
| 4pcs | 16pcs | 2pcs |

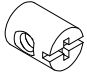
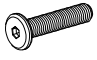



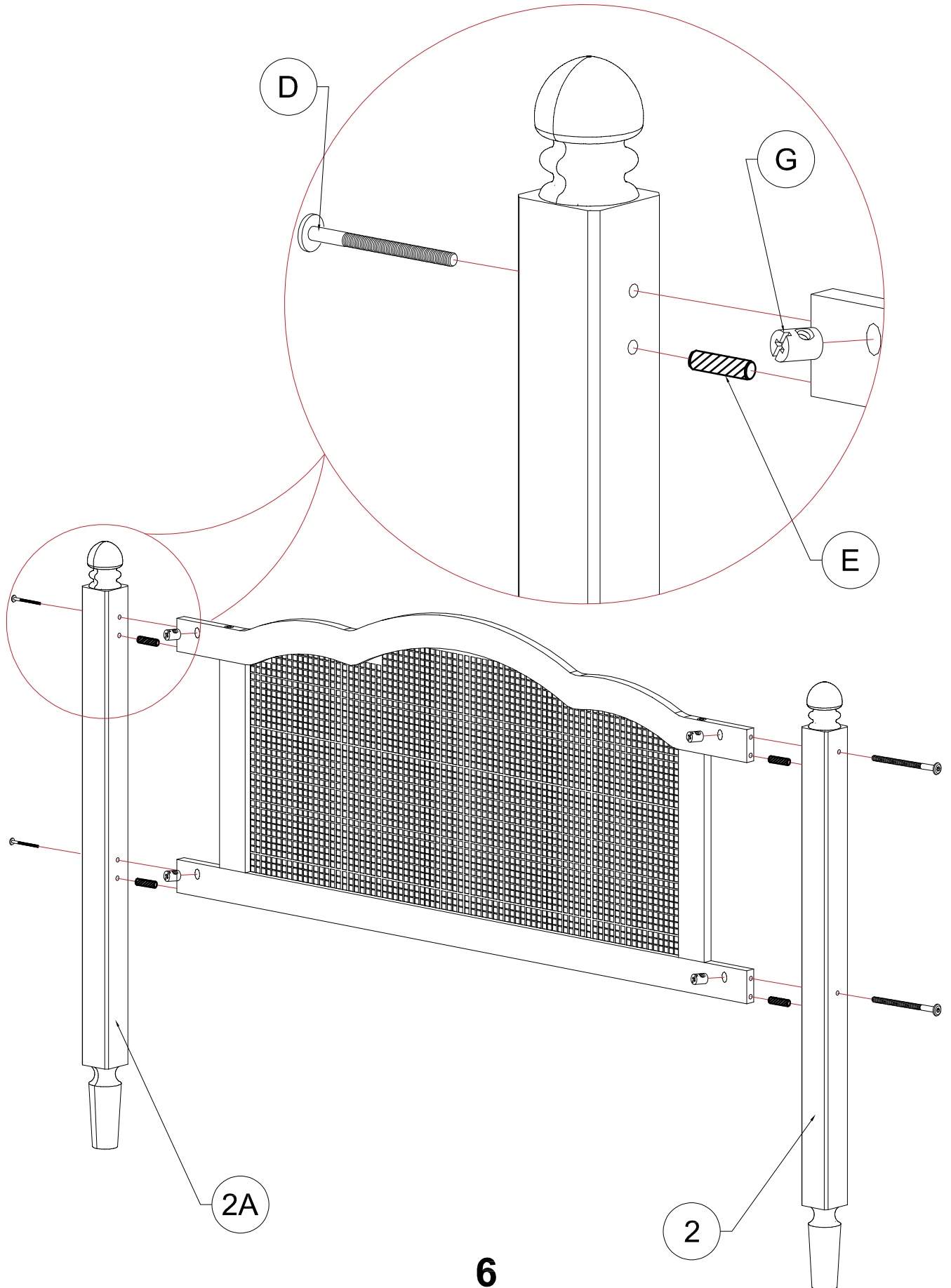
X2

5

STEP 2: Following below illustration:

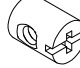

ÉTAPE 2 : Suivez l'illustration ci-dessous :

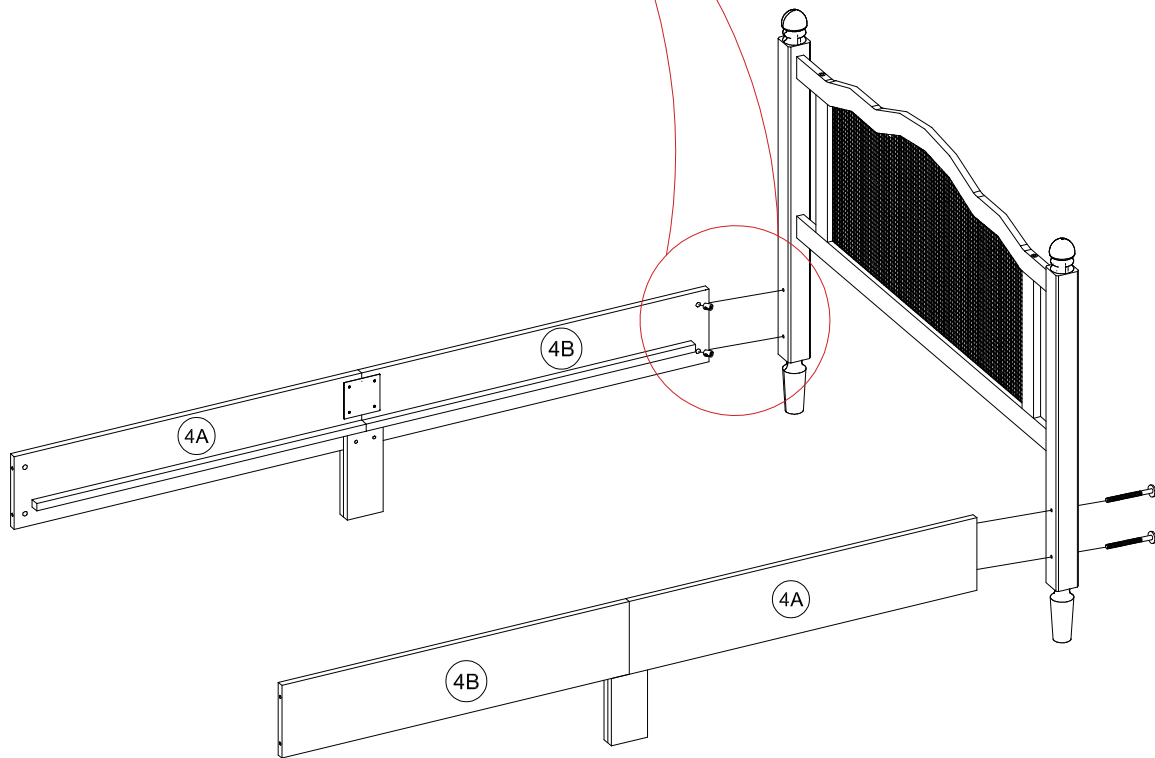
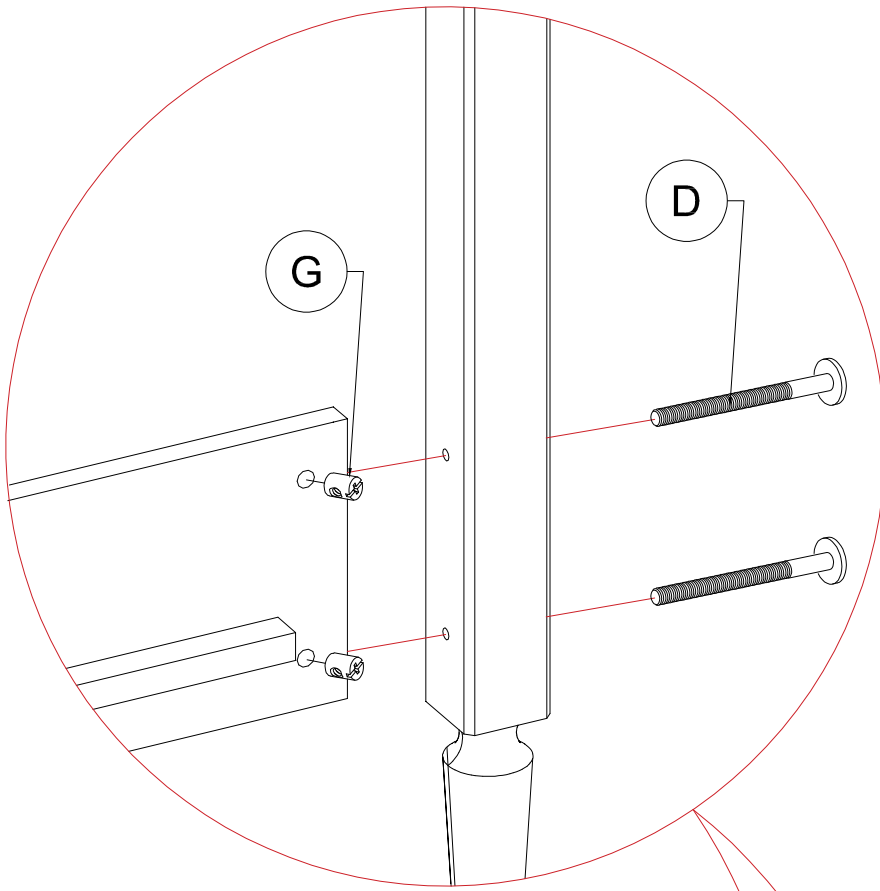
| | | |
|-------------------------------------------------------------------------------------------------|-------------------------------------------------------------------------------------------------|-------------------------------------------------------------------------------------------------|
| G  | D  | E  |
| 4pcs | 4pcs | 4pcs |



STEP 3: Following below illustration:

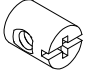
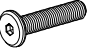
ÉTAPE 3 : Suivez l'illustration ci-dessous :

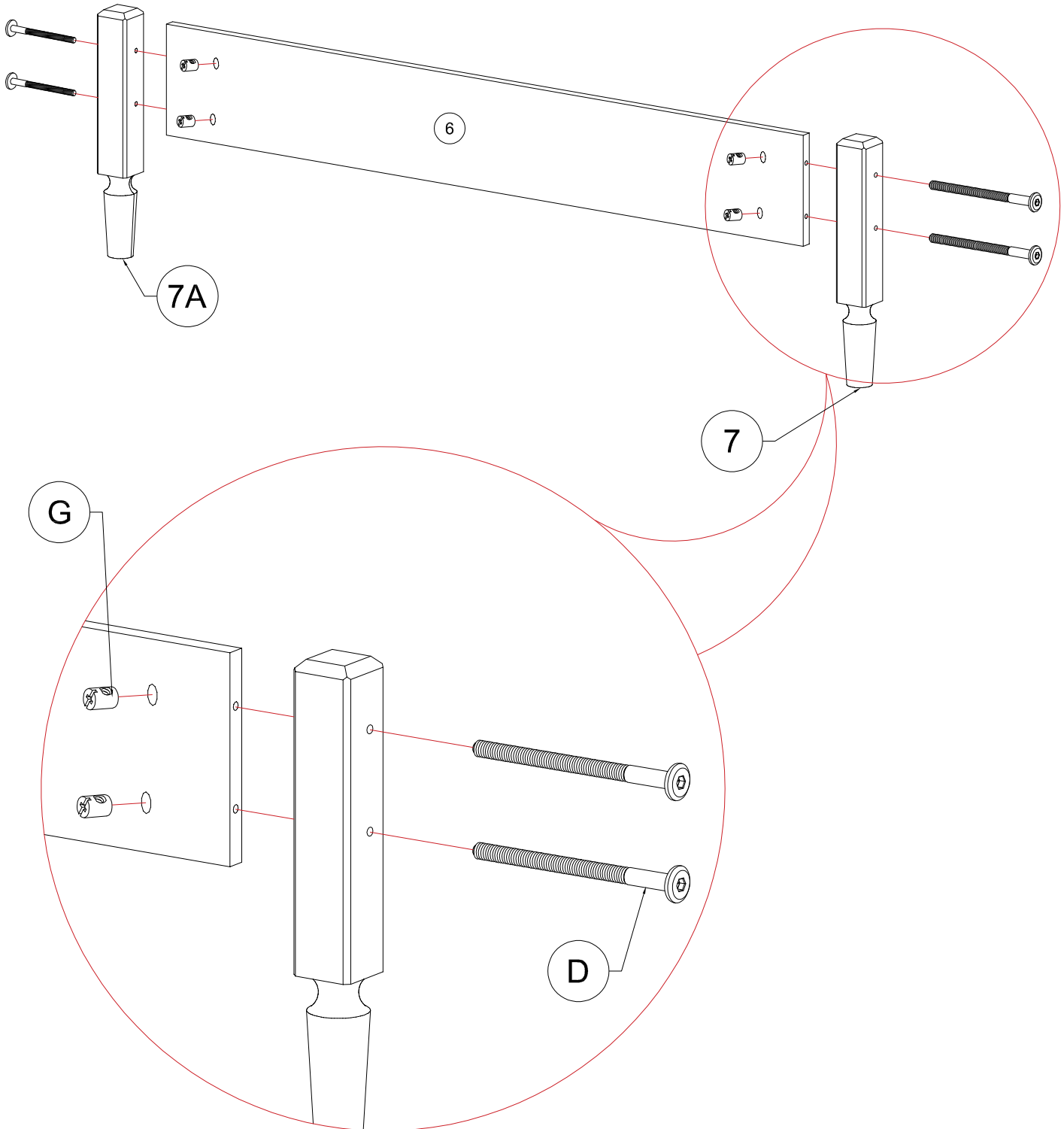
| | |
|-------------------------------------------------------------------------------------|-------------------------------------------------------------------------------------|
| G | D |
|  |  |
| 4pcs | 4pcs |



STEP 4: Following below illustration:

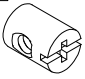
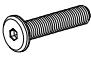
ÉTAPE 4 : Suivez l'illustration ci-dessous :

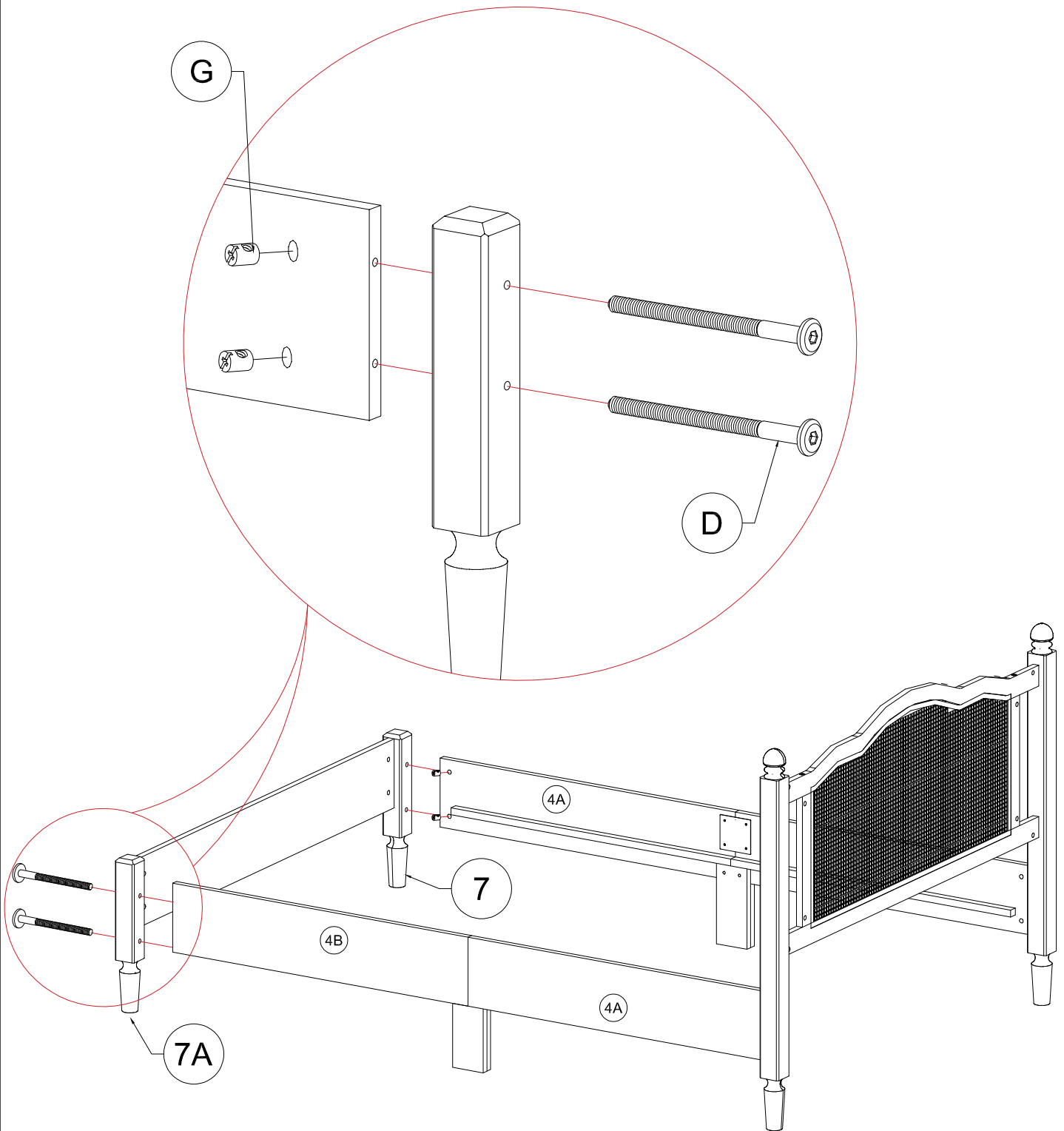
| | | | |
|----------|-------------------------------------------------------------------------------------|----------|-------------------------------------------------------------------------------------|
| G |  | D |  |
| 4pcs | | 4pcs | |



STEP 5: Following below illustration:

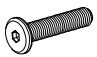

ÉTAPE 5 : Suivez l'illustration ci-dessous :

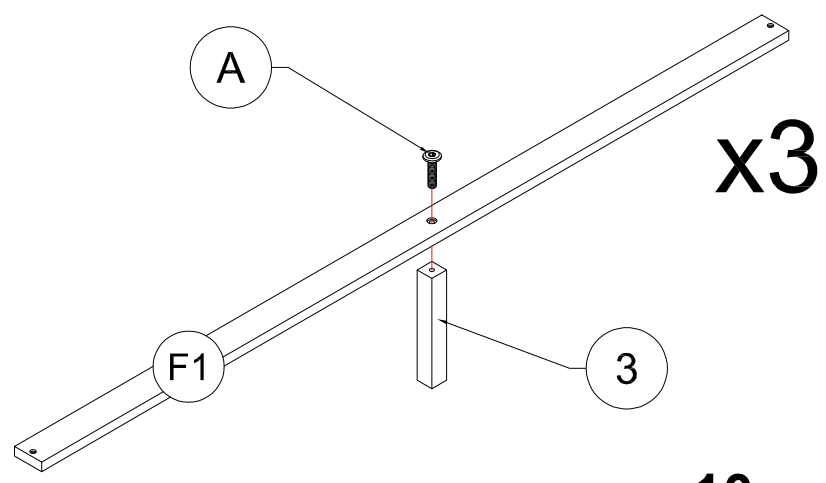
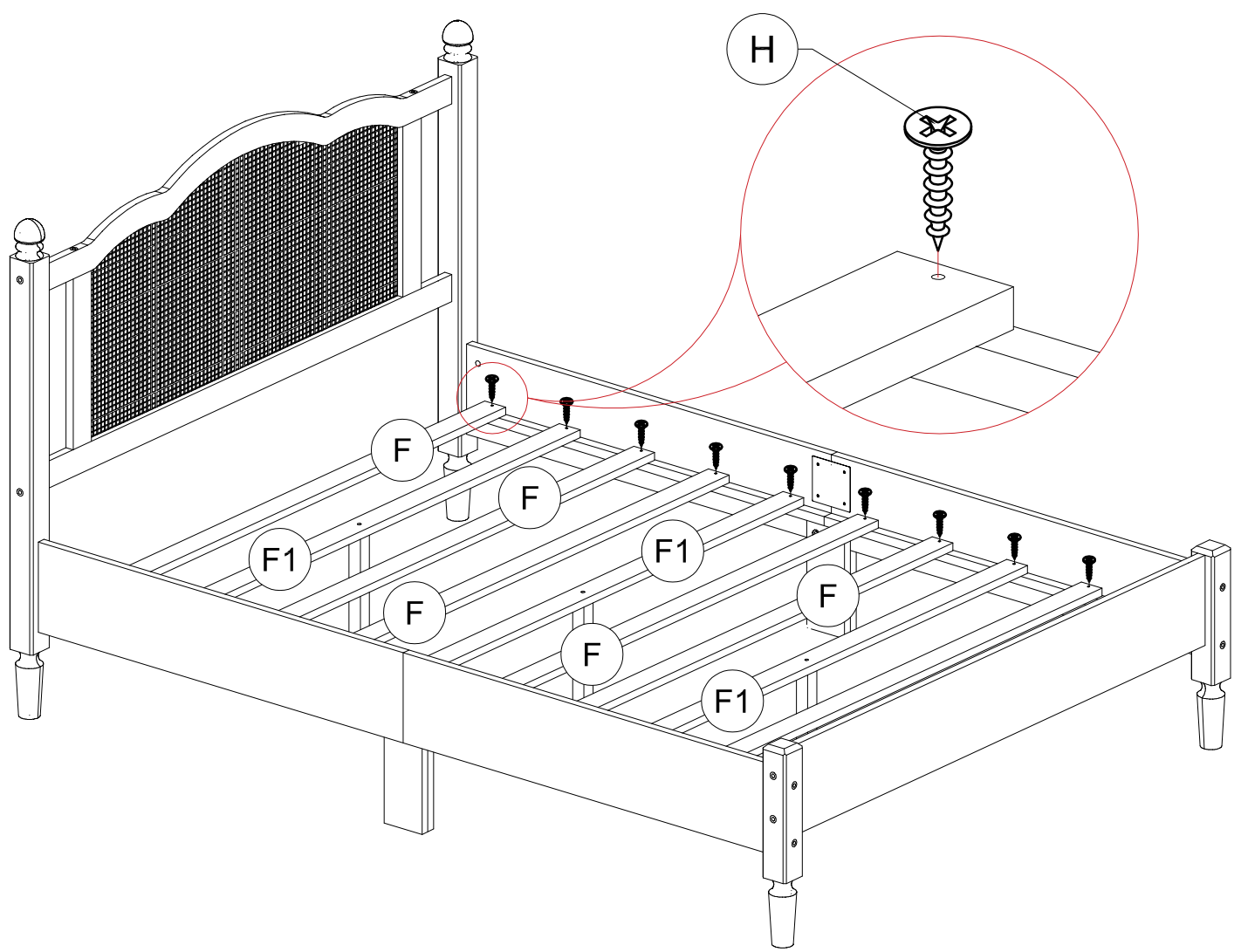
| | |
|-------------------------------------------------------------------------------------|-------------------------------------------------------------------------------------|
| G | D |
|  |  |
| 4pcs | 4pcs |



STEP 6: Following below illustration:

ÉTAPE 6 : Suivez l'illustration ci-dessous :

| | |
|-------------------------------------------------------------------------------------|-------------------------------------------------------------------------------------|
| A | H |
|  |  |
| 3pcs | 20pcs |



FINISH

FINITION

