



Buy it for looks. Buy it for life.®

### FAUCET DESCRIPTION

- Metal construction with various finishes identified by suffix
- Includes showerhead, arm, flange and diverter spout

### OPERATION

- Lever style handle with temperature indicator on the escutcheon, pull-on/push-off operation
- Temperature operates through an 180° arc of handle travel (full cold to full hot)
- Adjustable temperature limit stop to control maximum hot water temperature
- Pressure balancing mechanism maintains selected discharge temperature to  $\pm 2^\circ$

### FLOW

- Showerhead limited to 2.5 gpm (9.5 L/min)
- NH Suffix models contain no showerhead

### CARTRIDGE

- 1225° cartridge design
- Nonmetallic/nonferrous and stainless steel materials
- Accommodates back to back installations

### STANDARDS

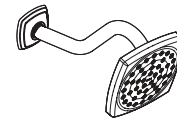
- Third party certified to ASME A112.18.1/CSA B-125-1, and all applicable requirements referenced therein
- ADA for lever handles

### WARRANTY

- Lifetime limited warranty against leaks, drips and finish defects to the original homeowner
- 10 year limited warranty when used in a multifamily installation
- 5 year limited warranty when used in a commercial installation

Visit [www.moen.com/support](http://www.moen.com/support) for complete details and limitations

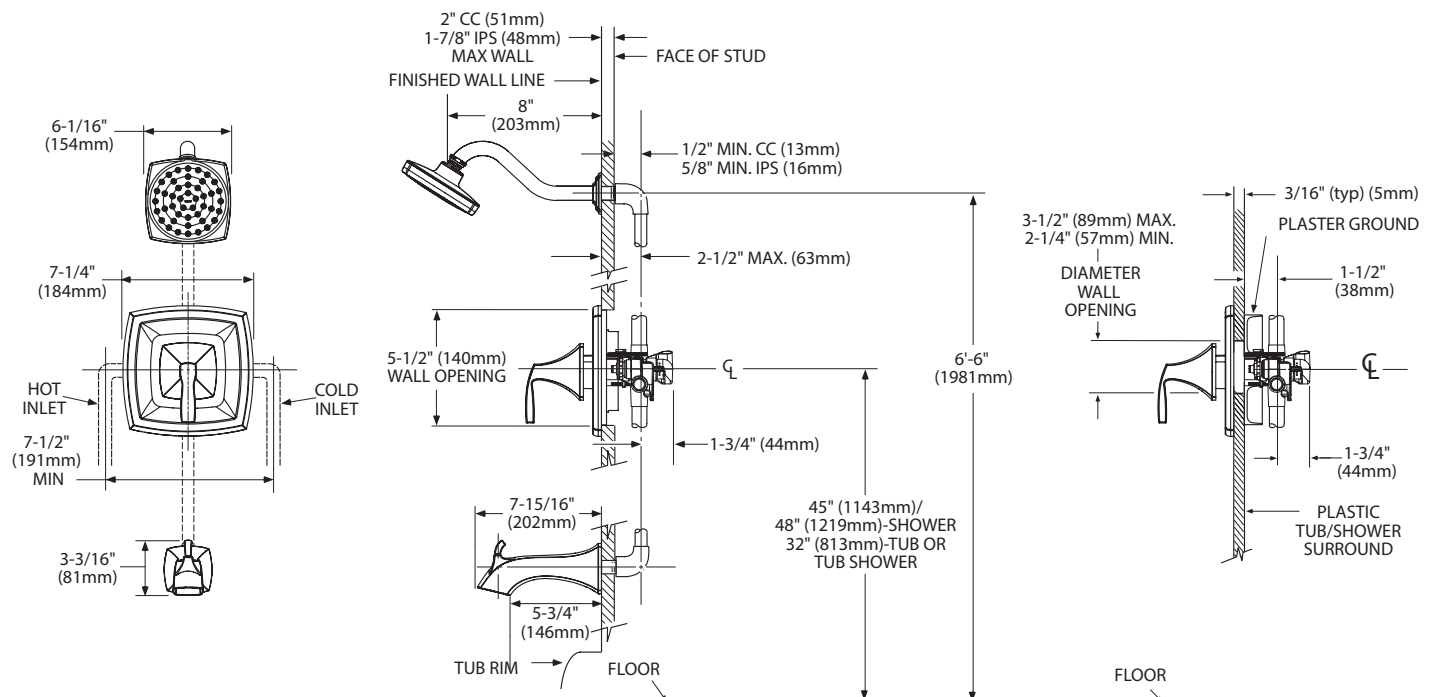
# Specifications



## VOSS™ MOENTROL® Single-Handle Tub/Shower Trim Only

**Models:** T3691 series - valve trim only  
T3692 series - shower trim only  
T3693 series - tub/shower trim

**Valves:** 63100, 3500 Series



### THICK WALL APPLICATION

### THIN WALL APPLICATION

## CRITICAL DIMENSIONS

(DO NOT SCALE)

