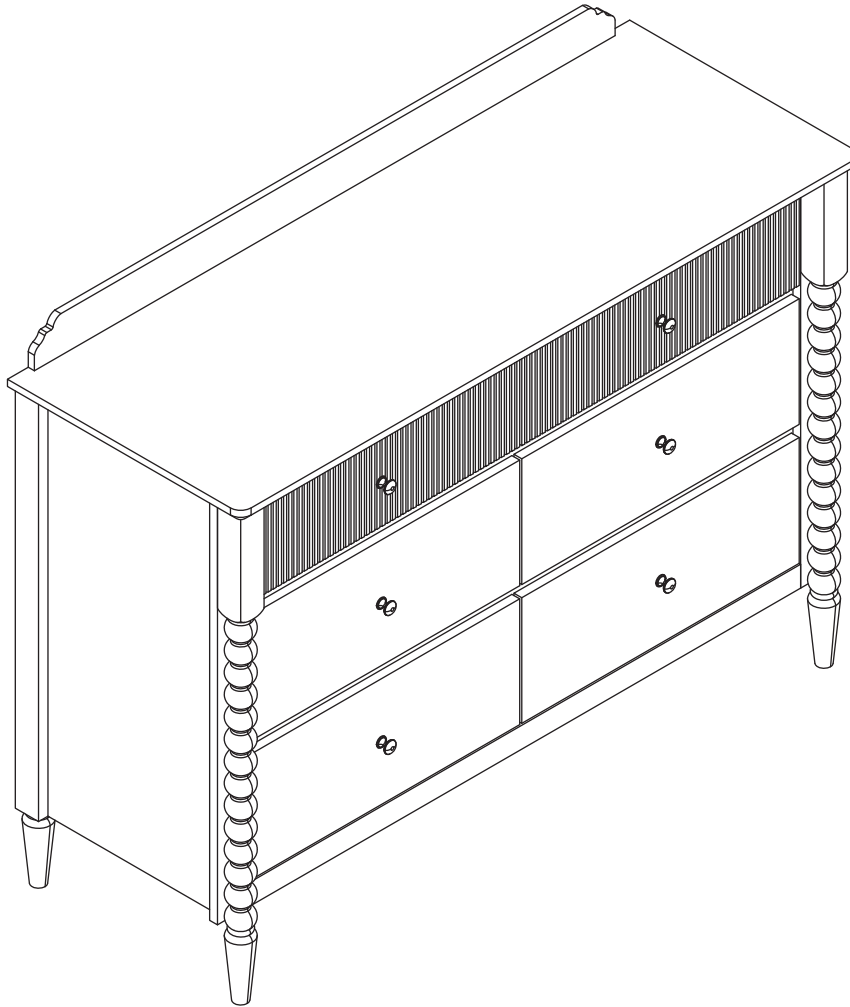


# 6-Drawer Dresser

---



Please make sure to read the instruction manual carefully before installing the product.

---

## Do Not Return This Product!

Contact our customer service team  
for help first.

## WARNING

- Unit can tip over causing severe injury or death.
- Anchor unit to stud in wall ( if instructed to )
- Do Not allow children to climb on unit.
- put heavy items on lower shelves or drawers.

**PEOPLE NEEDED  
FOR ASSEMBLY: 2**

# CONTACT US!

## Do NOT return this product!

Contact our friendly customer service team first for help.

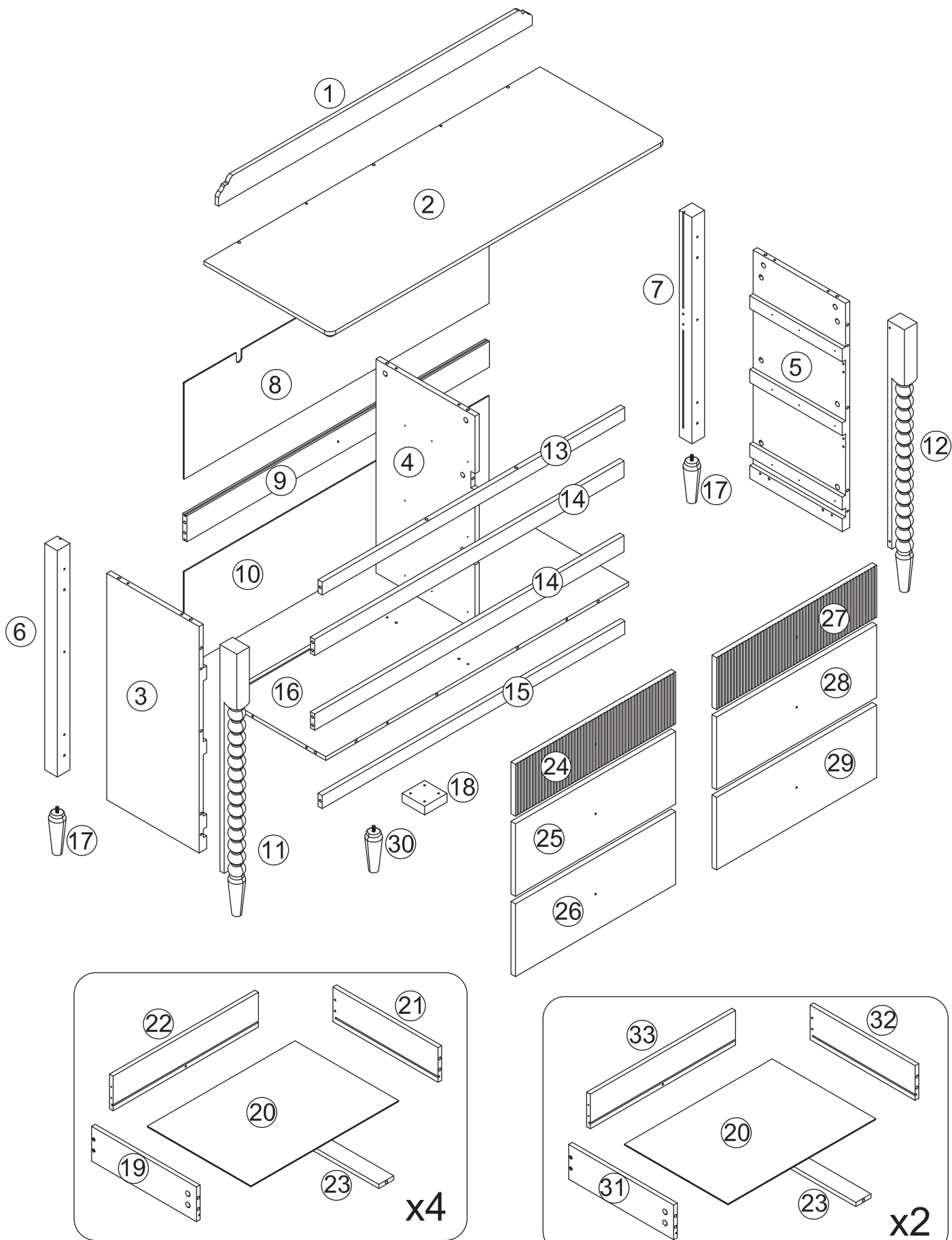
- Open your item in the area you plan to keep it to avoid excessive heavy lifting.
- Identify, sort and count the parts before attempting assembly.
- Back panel must be used to make sure your unit is sturdy.
- Do NOT use harsh chemicals or abrasive cleaners on this item.
- Never push,pull,or drag your furniture.



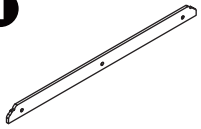
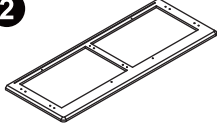
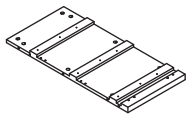
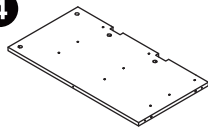
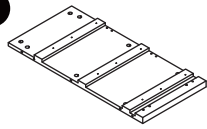
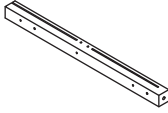
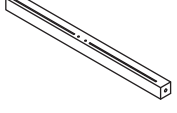
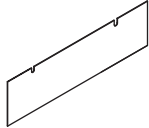
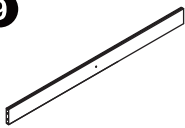
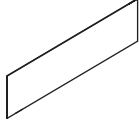
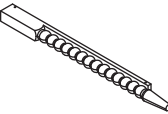
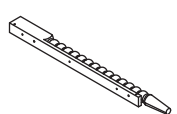
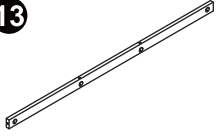
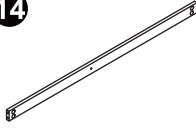
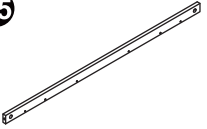
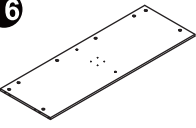

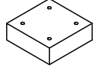
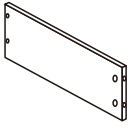
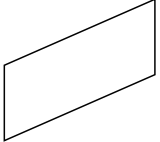
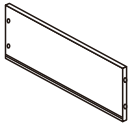
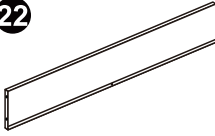
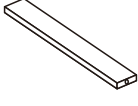
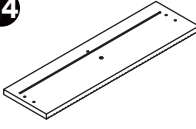
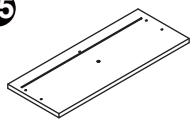
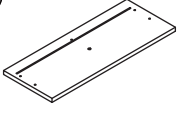
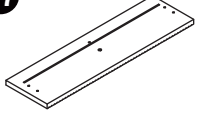
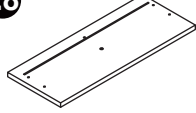
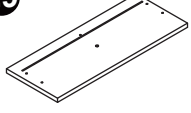

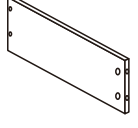
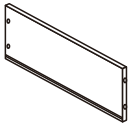
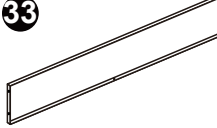
## BEFORE YOU START

- Read through each step carefully and follow the proper order
- Separate and count all your parts and hardware
- Give yourself enough room for the assembly process
- Have the following tools:Flat Head Screwdriver,#2 Phillips Head Screwdriver and Hammer
- Caution: IF using a power drill or power screwdriver for screwing,please be aware to slow down and stop when screw is tight.Failure to do so may result in stripping the screw.

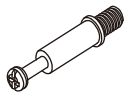


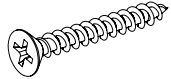
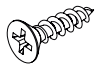



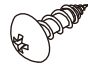

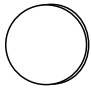

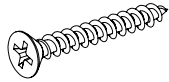

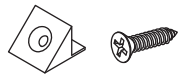




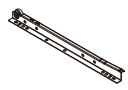
# BOARD IDENTIFICATION



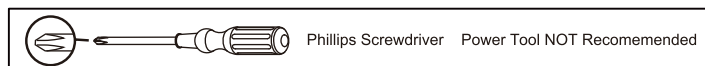
# BOARD IDENTIFICATION

<b>1</b>  1PC	<b>2</b>  1PC	<b>3</b>  1PC	<b>4</b>  1PC	<b>5</b>  1PC
<b>6</b>  1PC	<b>7</b>  1PC	<b>8</b>  1PC	<b>9</b>  1PC	<b>10</b>  1PC
<b>11</b>  1PC	<b>12</b>  1PC	<b>13</b>  1PC	<b>14</b>  2PCS	<b>15</b>  1PC
<b>16</b>  1PC	<b>17</b>  2PCS	<b>18</b>  1PC	<b>19</b>  4PCS	<b>20</b>  6PCS
<b>21</b>  4PCS	<b>22</b>  4PCS	<b>23</b>  6PCS	<b>24</b>  1PC	<b>25</b>  1PC
<b>26</b>  1PC	<b>27</b>  1PC	<b>28</b>  1PC	<b>29</b>  1PC	<b>30</b>  1PC
<b>31</b>  2PCS	<b>32</b>  2PCS	<b>33</b>  2PCS		

# THE HARDWARE

<b>A</b> x79	<b>B</b> x79	<b>C</b> x24	<b>D</b> x3	<b>E</b> x72
				
Cam Bolt	Cam Lock	Wood Dowel	Screw	Screw
Ø6x35mm	Ø15x10mm	Ø6x30mm	Ø4x40mm	Ø3.5x10mm
<b>F</b> x6	<b>G</b> x2	<b>H</b> x2	<b>I</b> x2	<b>J</b> x1
				
Handle and Screw	Wall Anchor	Safety bracket kit	Screw	Foot Screw
Ø4x16mm			Ø4x14mm	
<b>K</b> x4	<b>L</b> x4	<b>M</b> x30	<b>N</b> x2	<b>O</b> x8
				
Pad	Screw	Screw	Screw	Screw
Ø20mm	Ø4x25mm	Ø4x30mm	Ø4x35mm	Ø3x14mm
<b>P</b> x1	<b>CL</b> x6	<b>CR</b> x6	<b>DL</b> x6	<b>DR</b> x6
				
Hex Key Wrench	Drawer Slide Kit	Drawer Slide Kit	Drawer Slide Kit	Drawer Slide Kit
	300mm	300mm	300mm	300mm

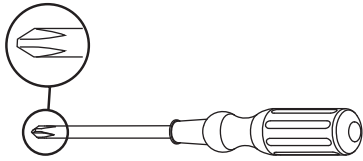
IMPORTANT :



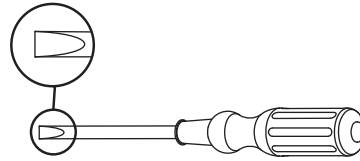
1. Do not tighten bolts / screws completely until all bolts / screws are lined up and inserted into holes.
2. Do not over tighten screws and bolts to avoid stripping.
3. Please use hand tools to assemble this product. Do not use power tools.

# CAM LOCK FASTENING SYSTEM

Phillips Screwdriver

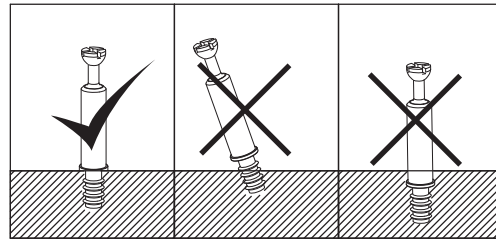


Straight Screwdriver



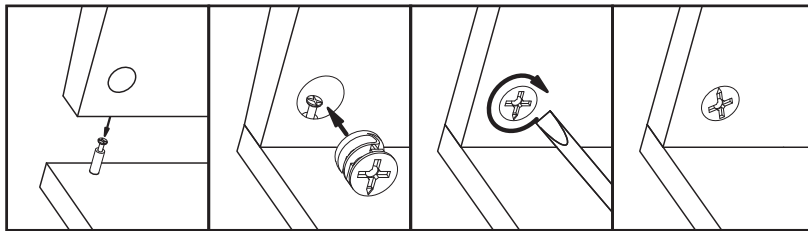
Power Tool NOT Recommended

To ensure proper assembly we have included the following guides:



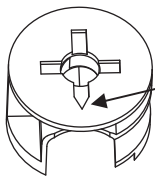
Insert threads of Locking Bolts completely and stop once threads are no longer visible.

Do NOT overturn.



Reference this guide when assembling all Cam Locks.

Do NOT overturn.



Notice: "pointer arrow" on cam face the Bolt when inserted the cam.

## IMPORTANT :

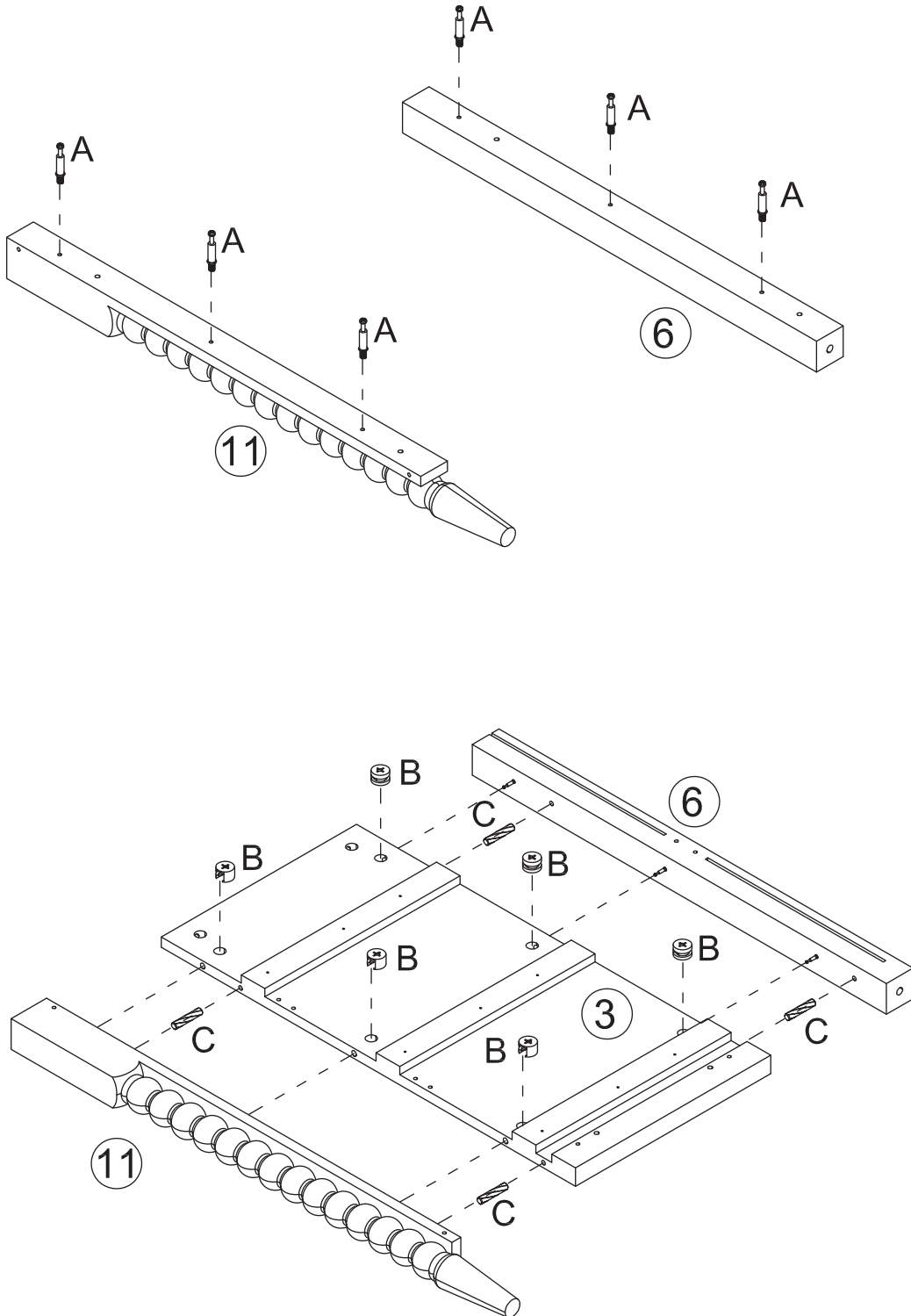
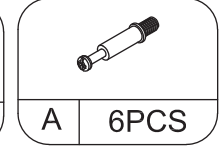
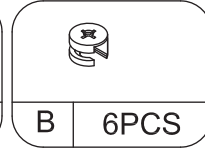
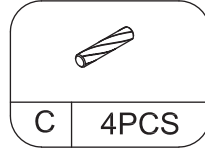
1. Do not tighten bolts / screws completely until all bolts / screws are lined up and inserted into holes.
2. Do not over tighten screws and bolts to avoid stripping.
3. Please use hand tools to assemble this product. Do not use power tools.
4. Must need 2 people to assemble this product.



2 PERSONS

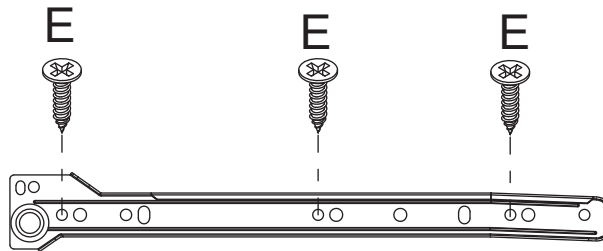
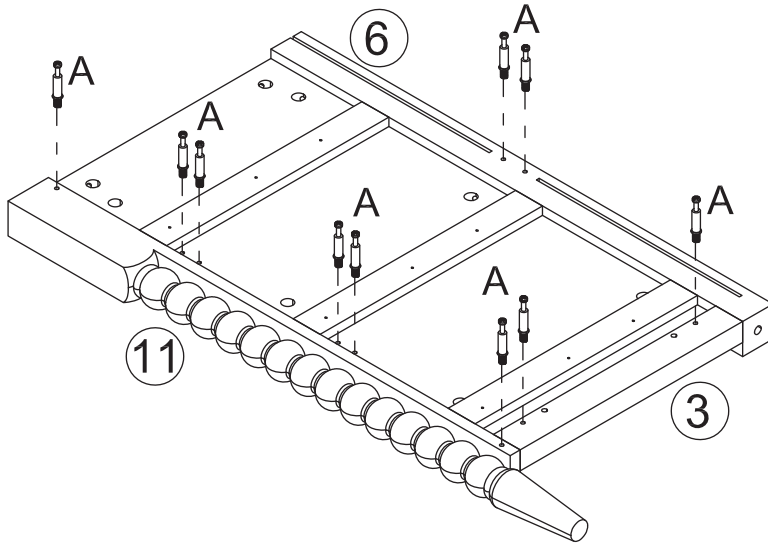
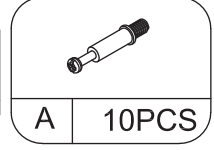
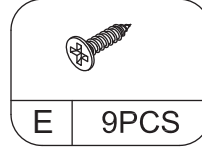
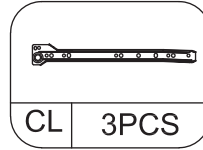
# INSTALLATION STEPS

## STEP 1

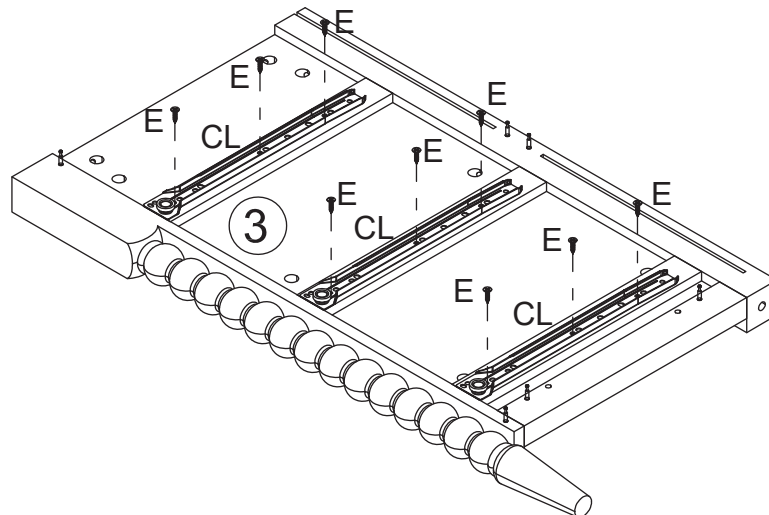


# INSTALLATION STEPS

## STEP 2

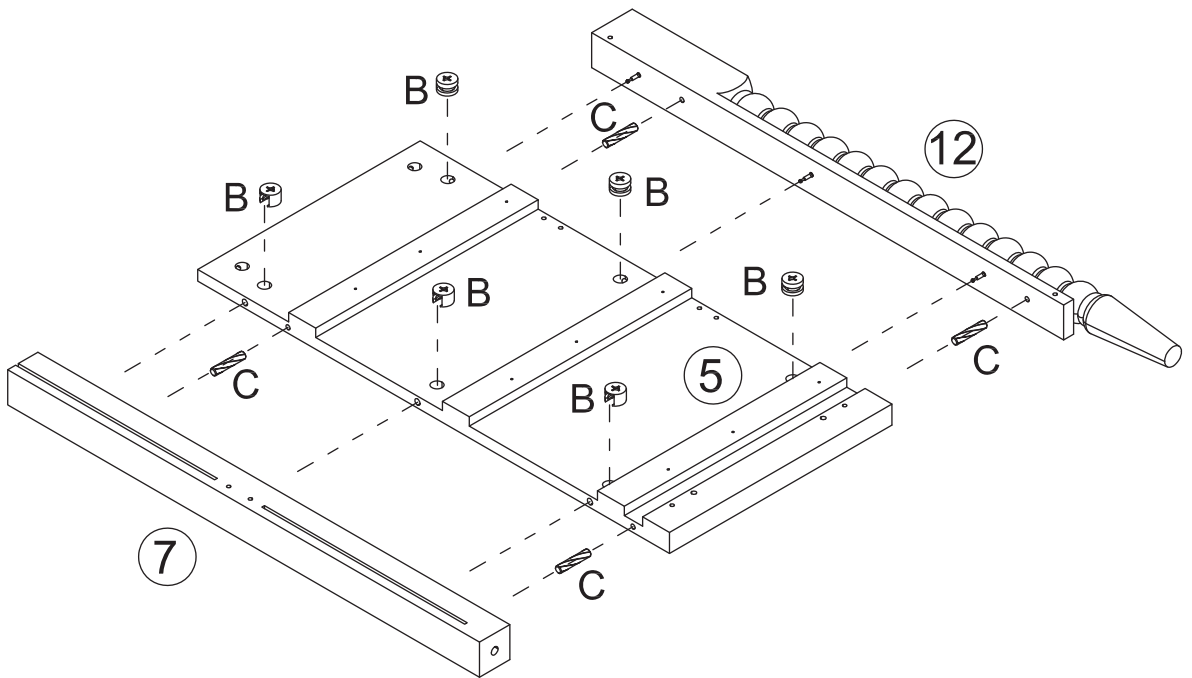
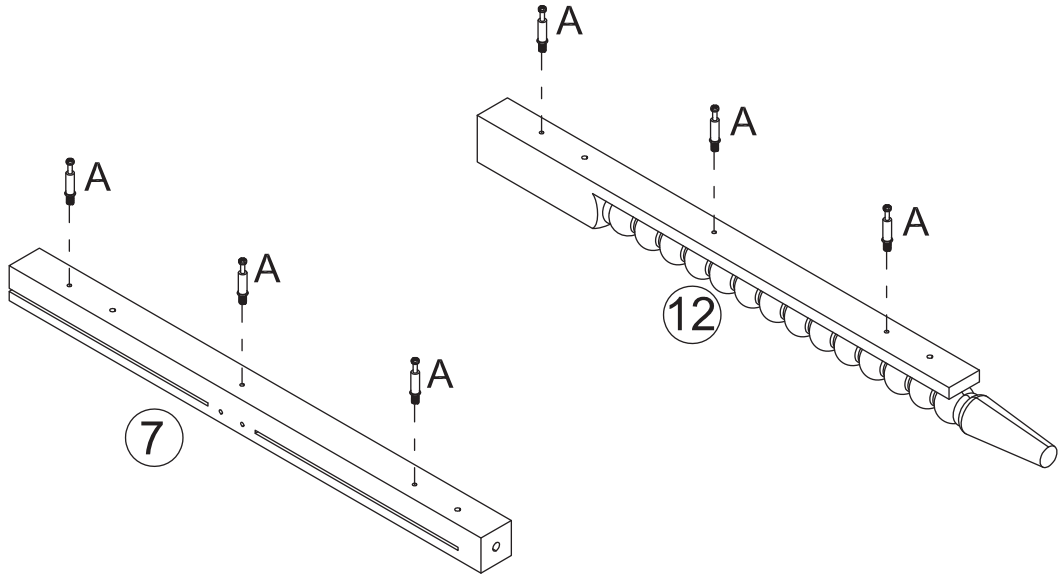
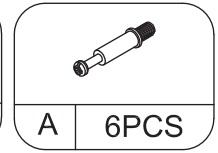
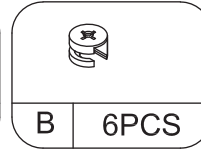
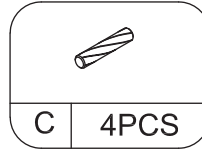


CL



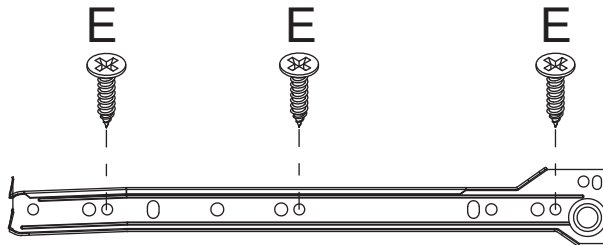
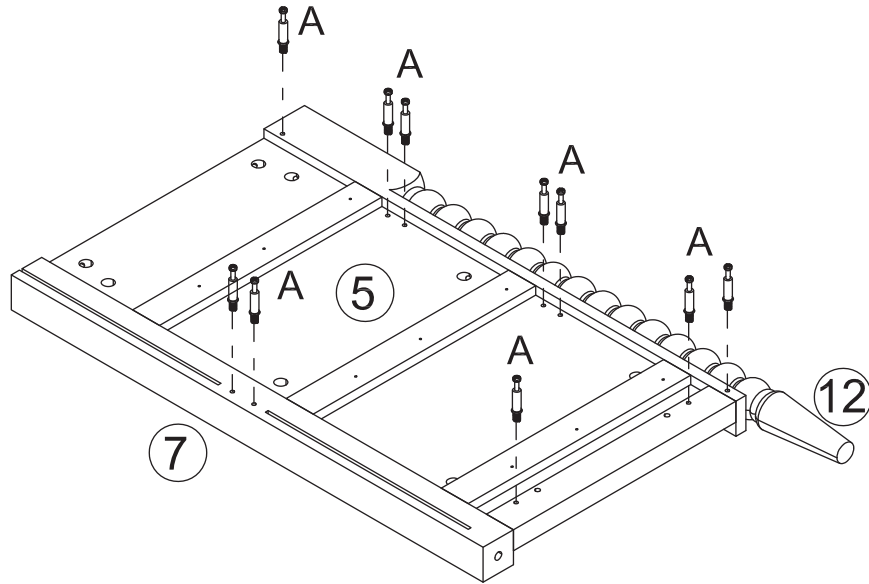
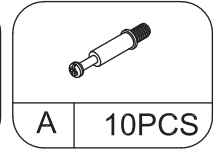
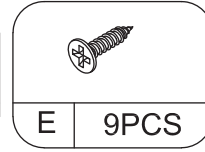
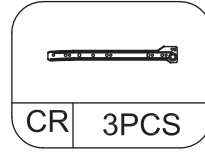
# INSTALLATION STEPS

## STEP 3

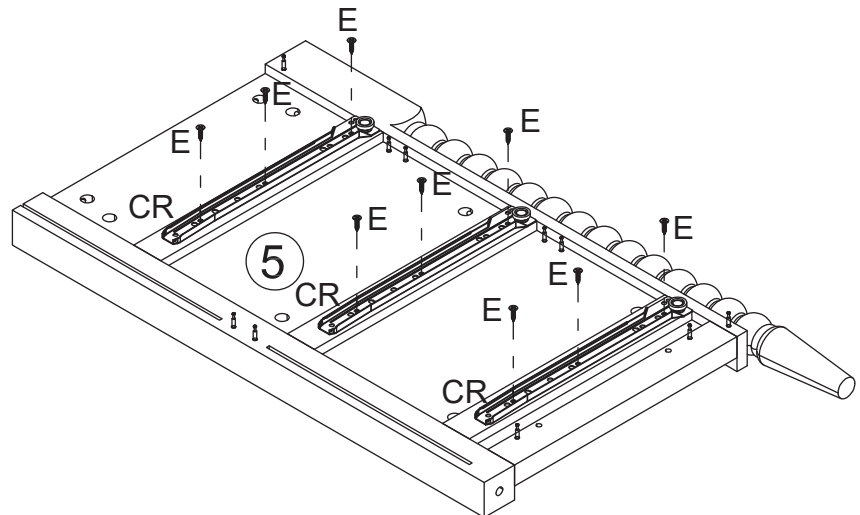


# INSTALLATION STEPS

## STEP 4






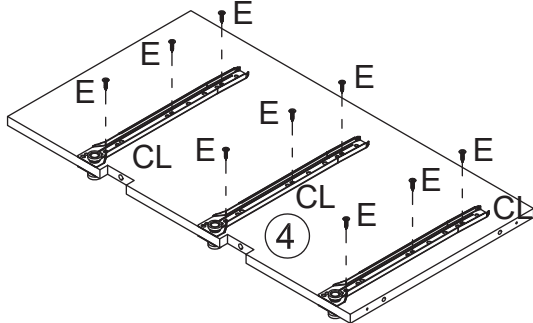
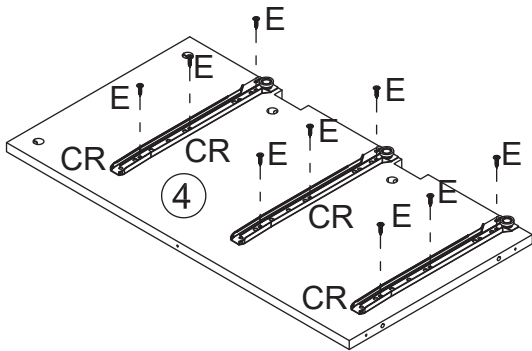
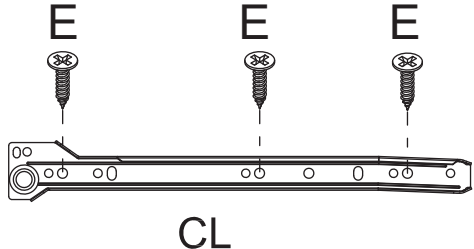
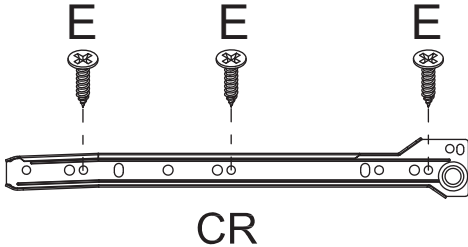
CR






# INSTALLATION STEPS

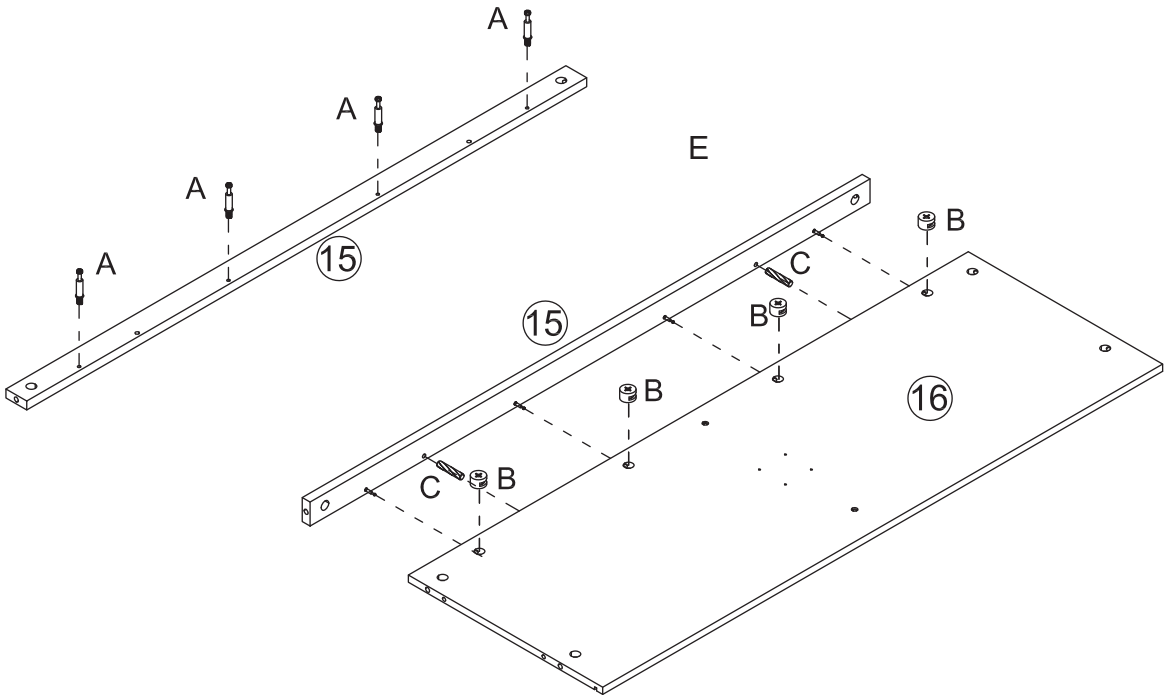
## STEP 5

		
CR	CL	E
3PCS	3PCS	18PCS



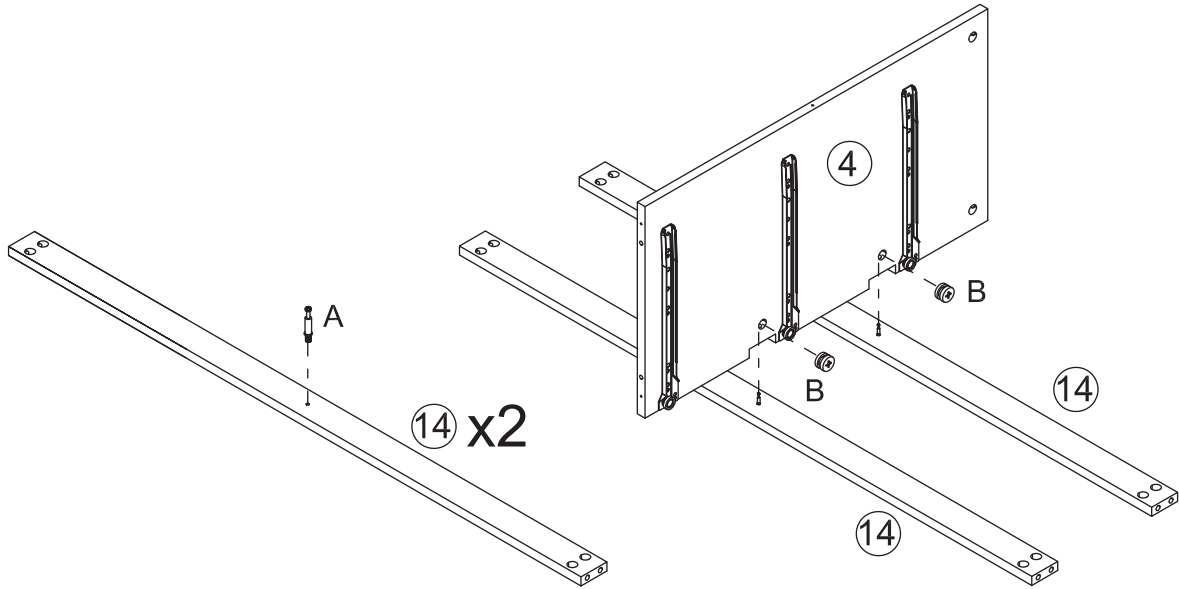
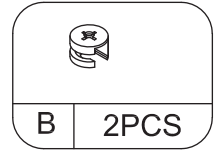
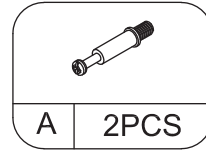
## STEP 6

		
A	B	C
4PCS	4PCS	2PCS

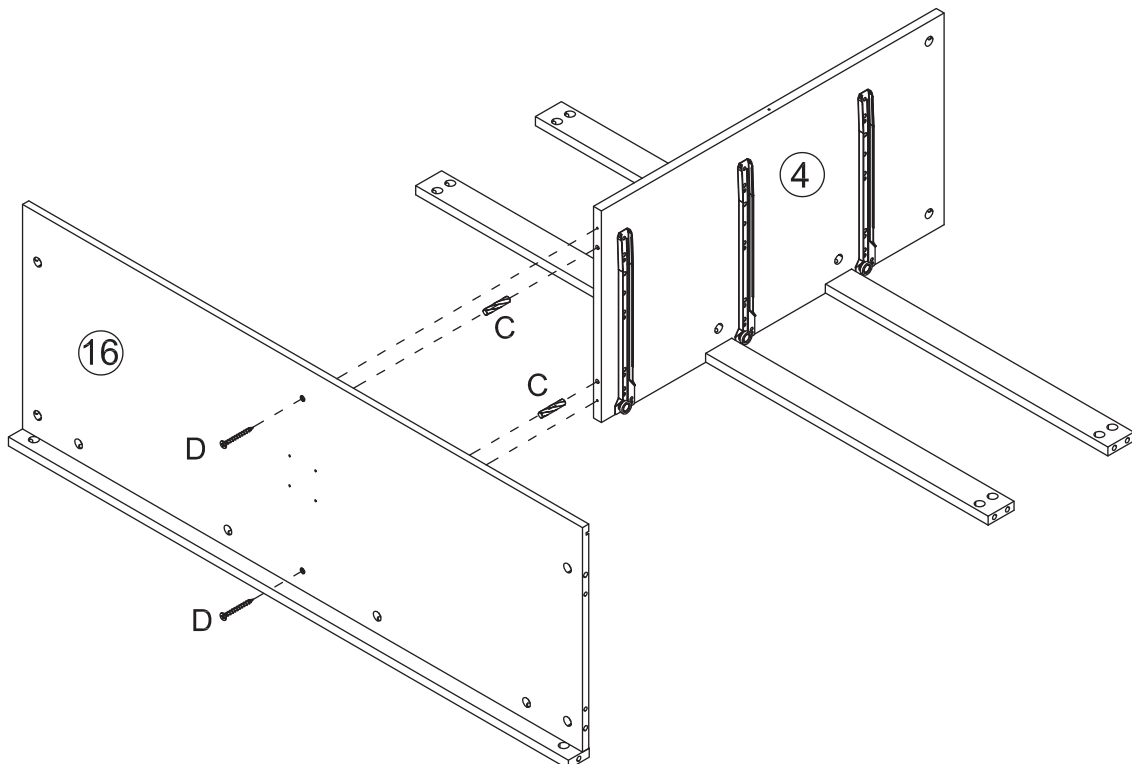
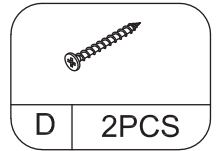
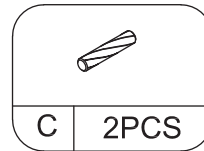


# INSTALLATION STEPS

## STEP 7

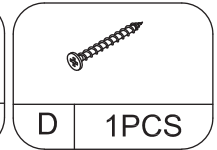
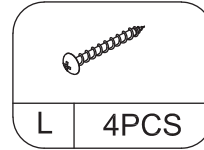
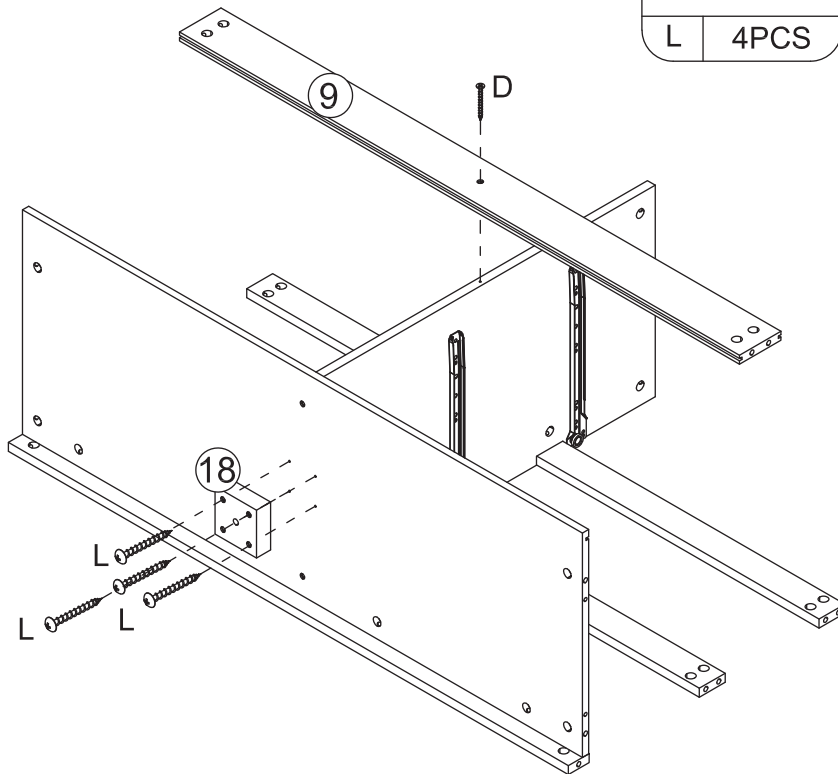


## STEP 8

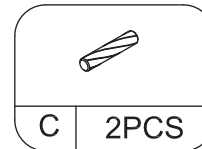
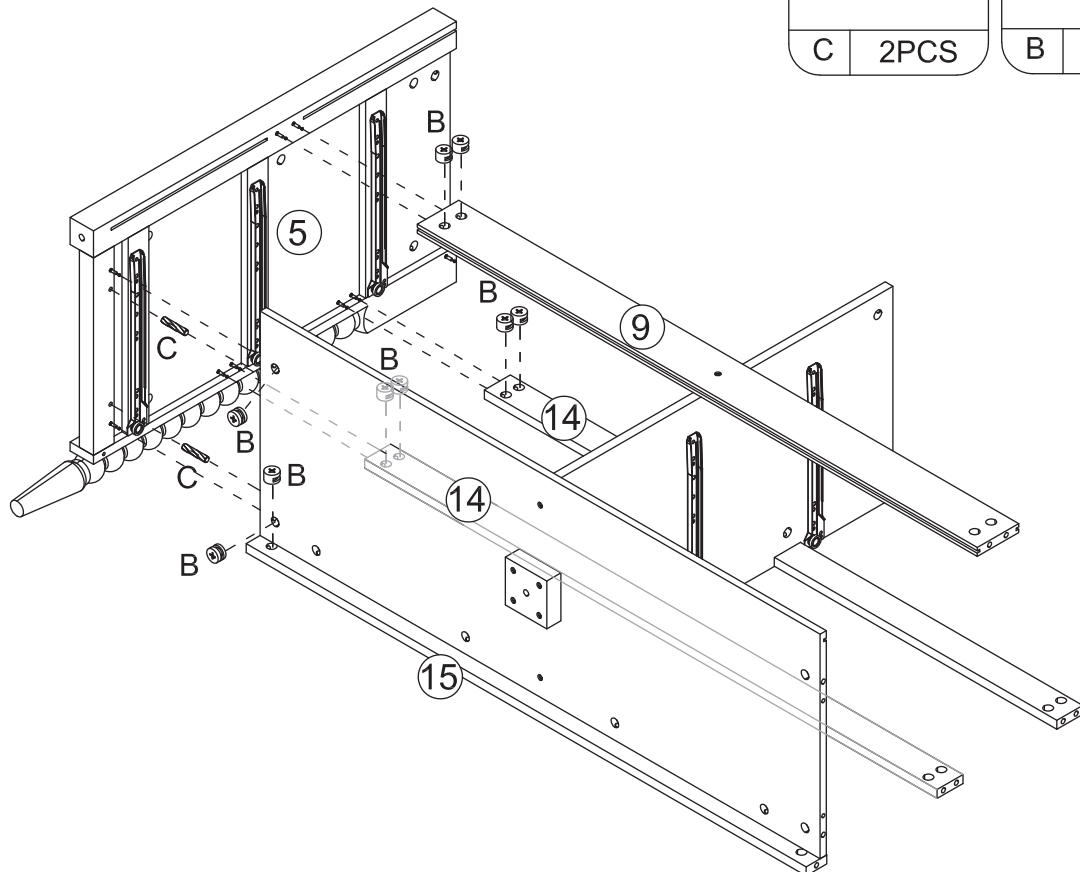


# INSTALLATION STEPS

## STEP 9

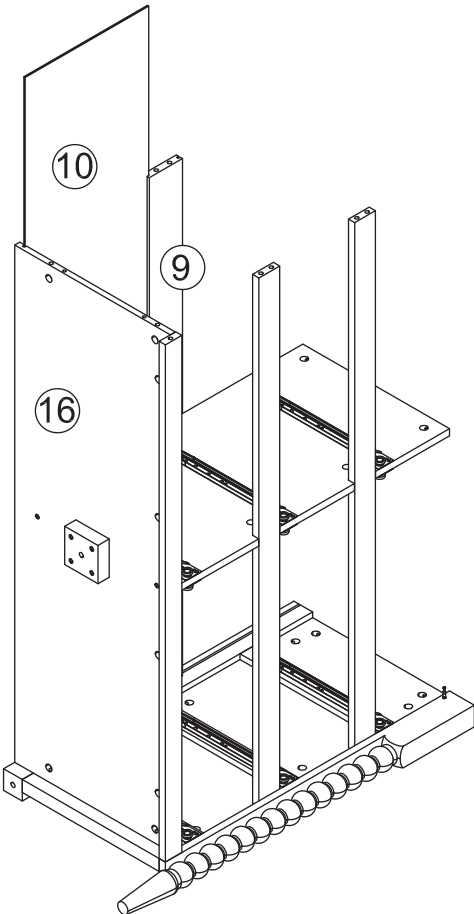


## STEP 10

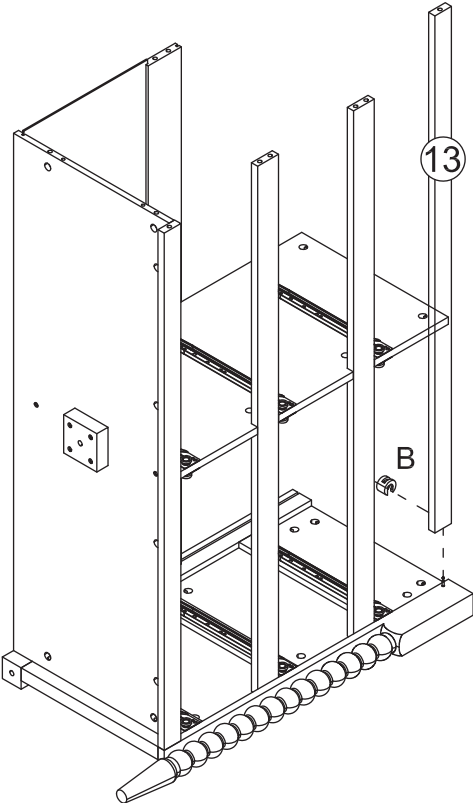



# INSTALLATION STEPS

## STEP 11




## STEP 12




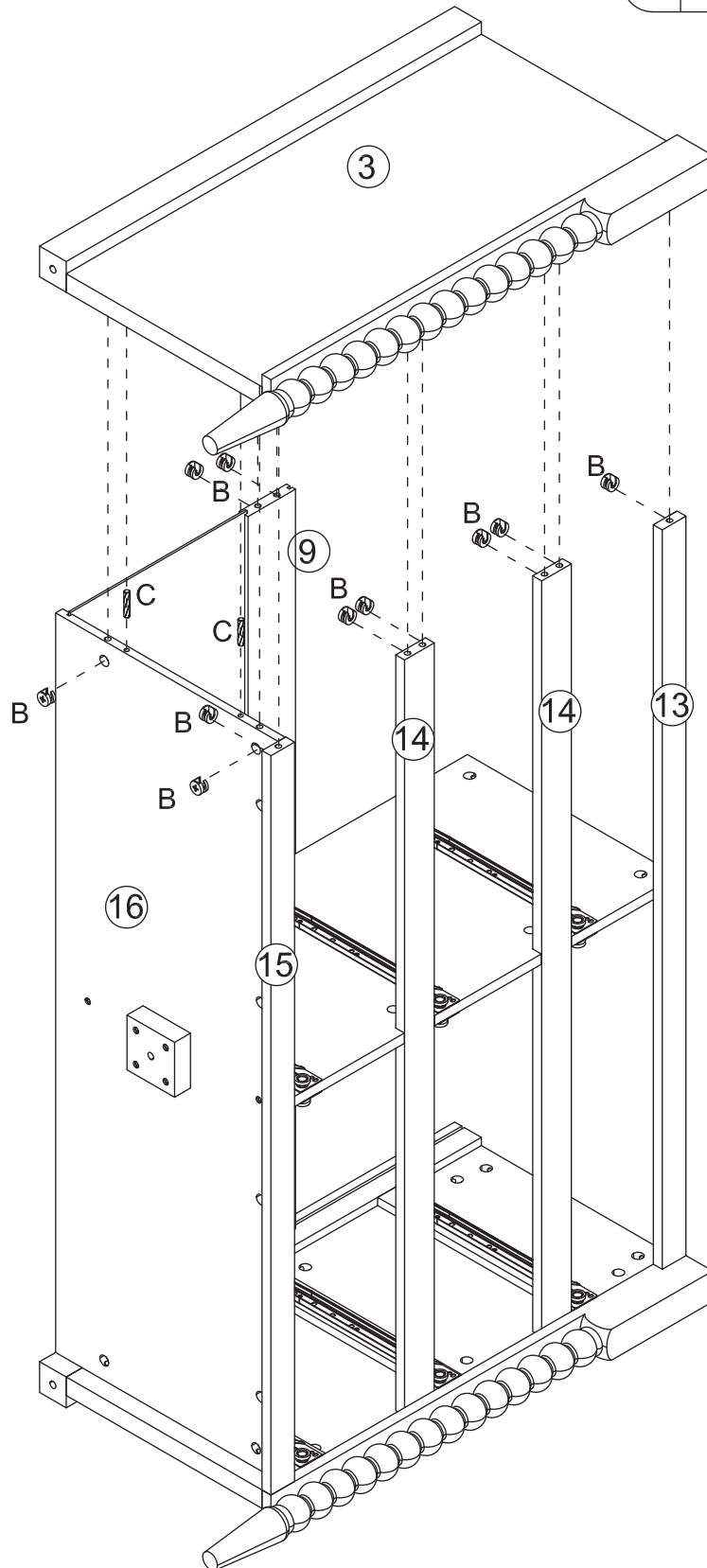
	
B	1PC

# INSTALLATION STEPS

## STEP 13

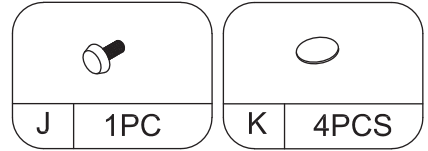
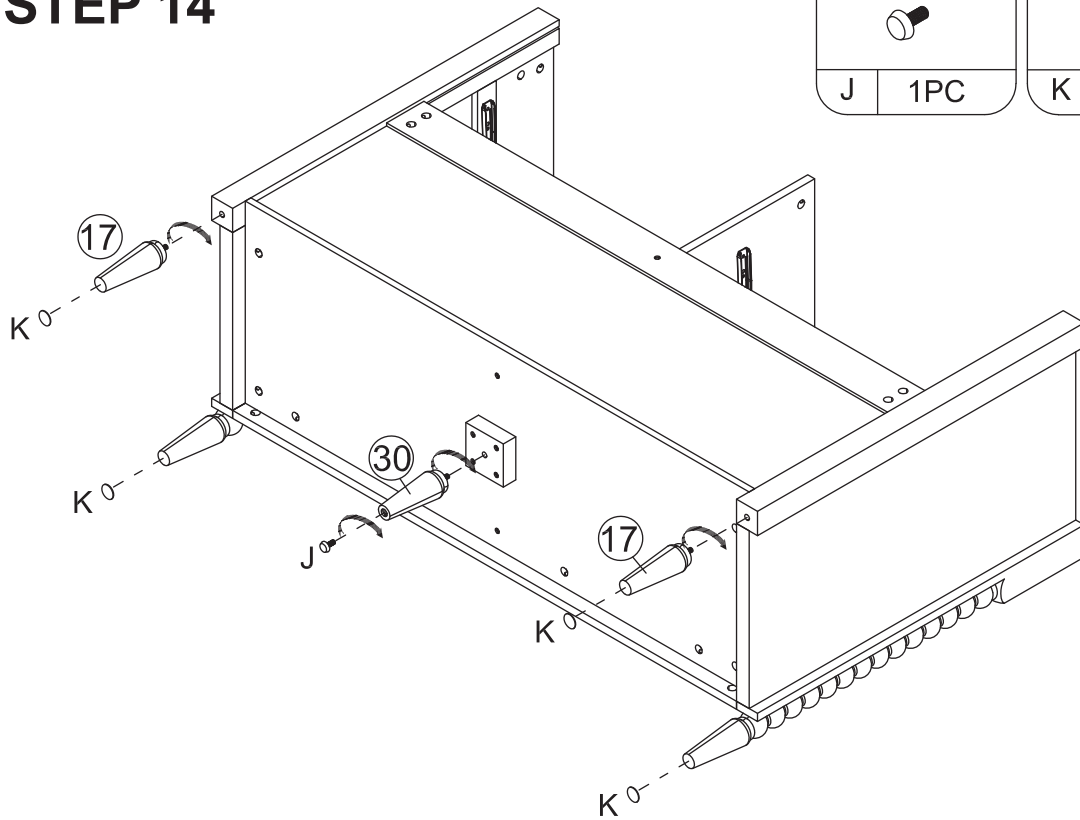
	
C	2PCS

	
B	10PCS

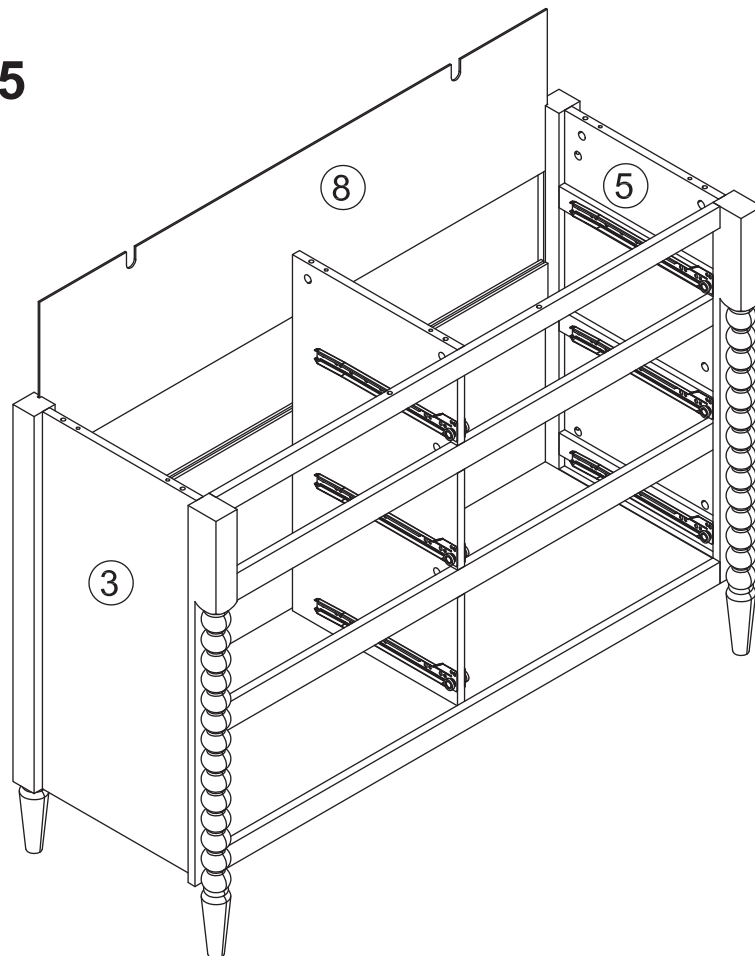


# INSTALLATION STEPS

## STEP 14

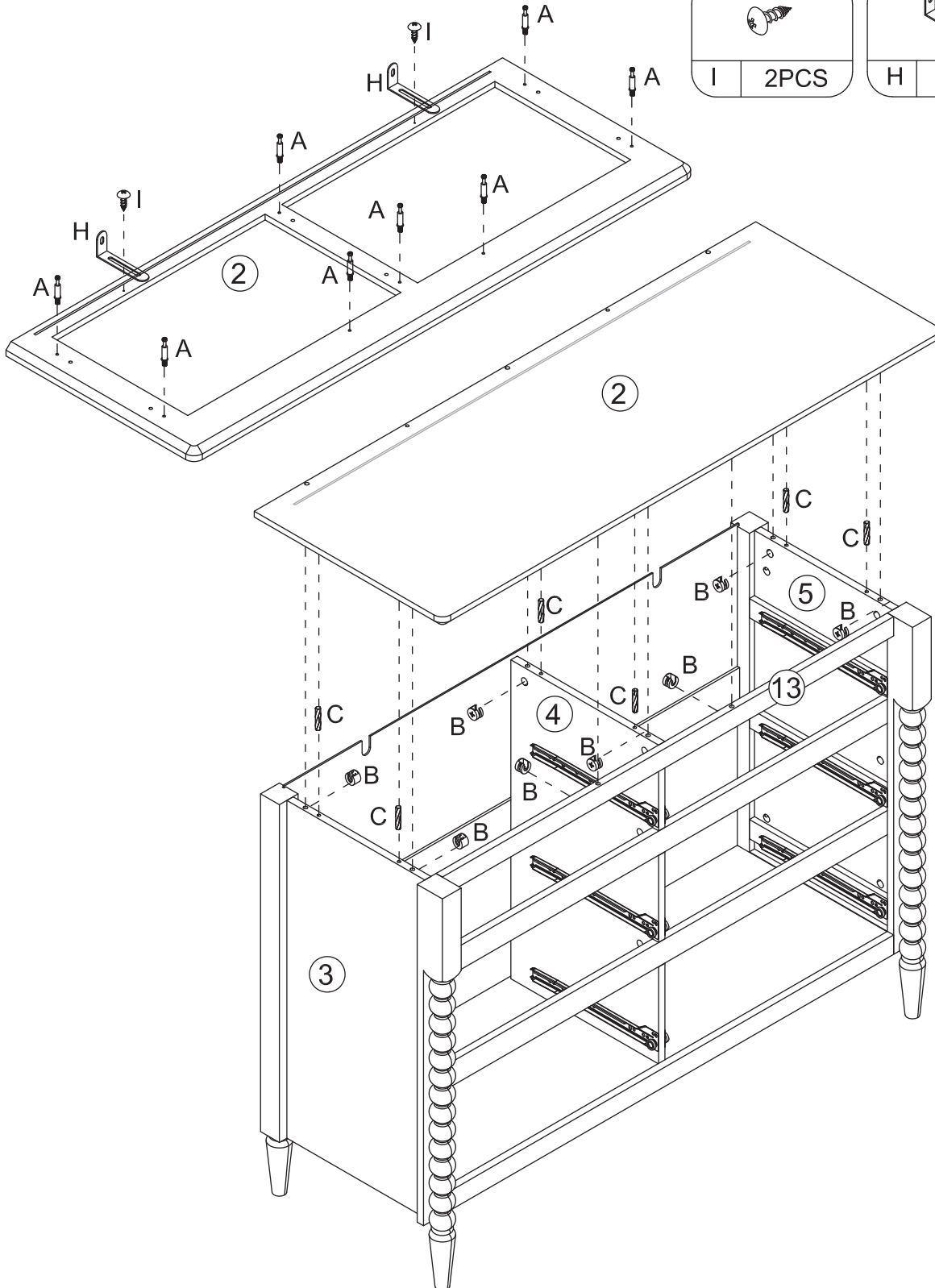
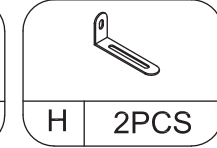
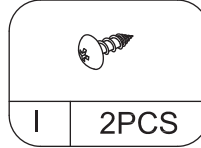
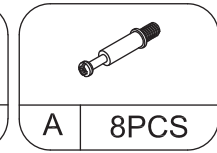
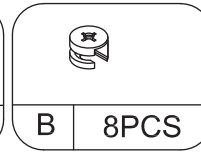
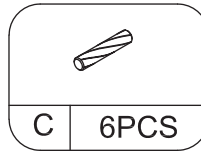


## STEP 15



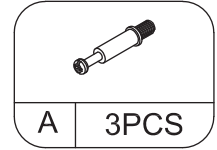
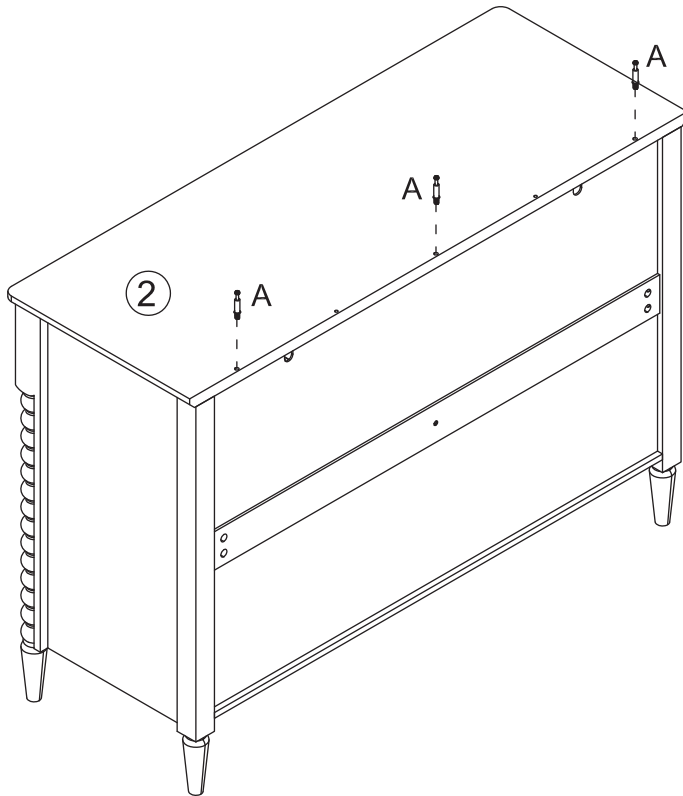
# INSTALLATION STEPS

## STEP 16

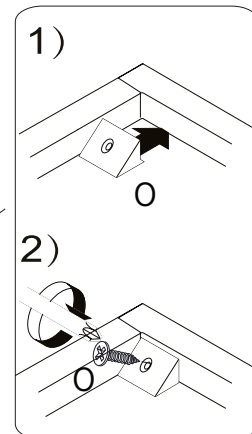
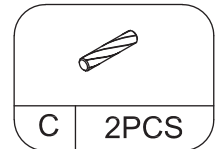
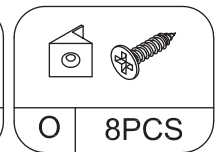
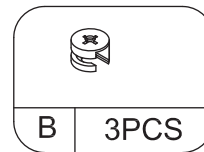
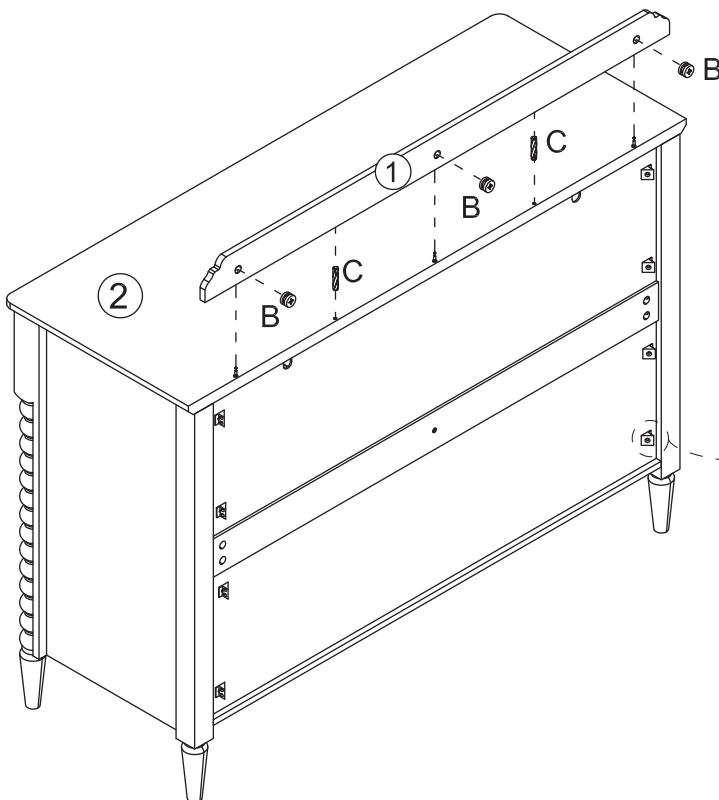


# INSTALLATION STEPS

## STEP 17

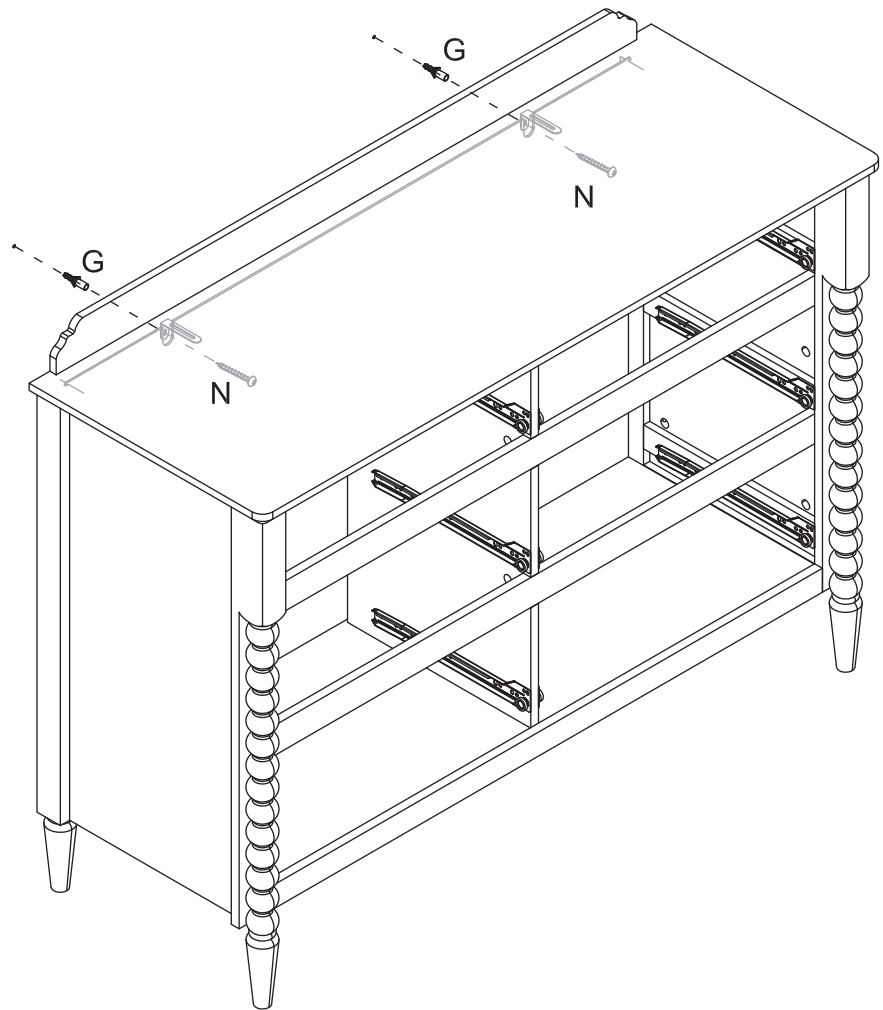
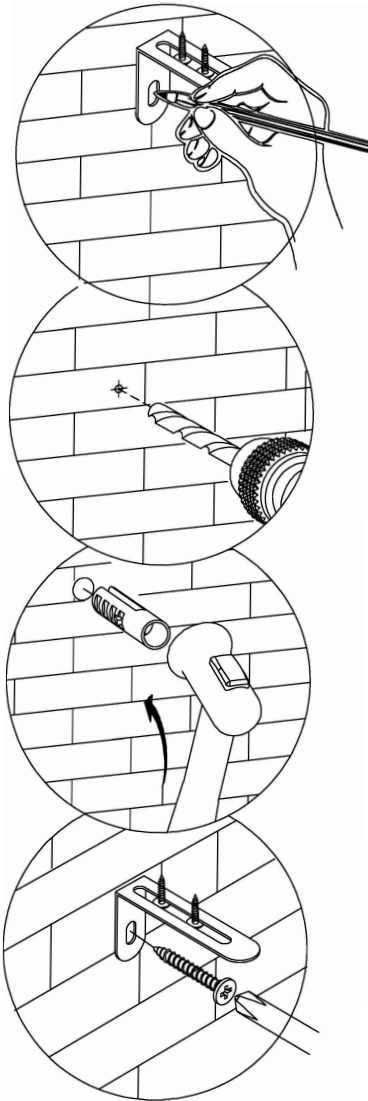
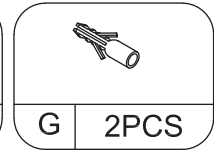
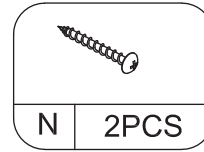


## STEP 18



# INSTALLATION STEPS

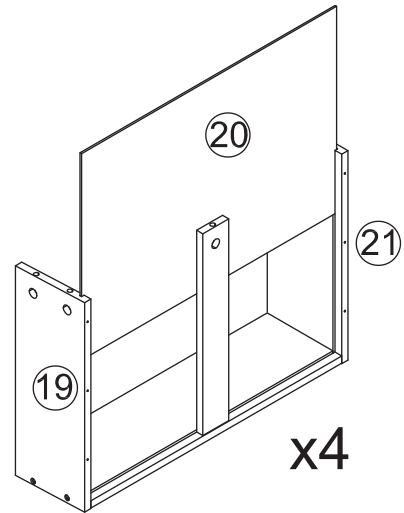
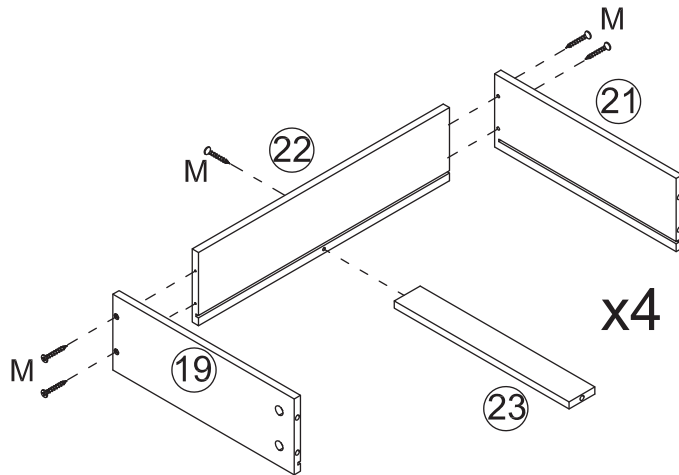
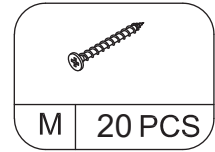
## STEP 19



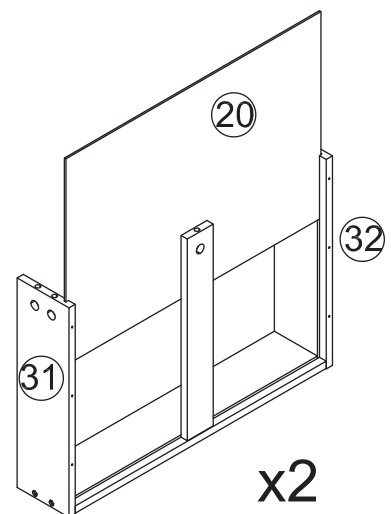
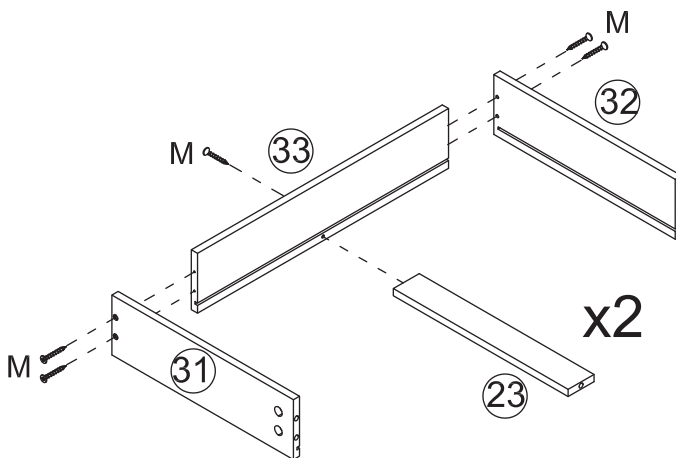
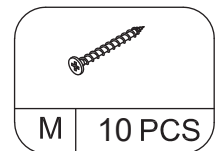
Tips: This step is to install the anti-tipping device system, which requires drilling holes in the wall

# INSTALLATION STEPS

## STEP 20

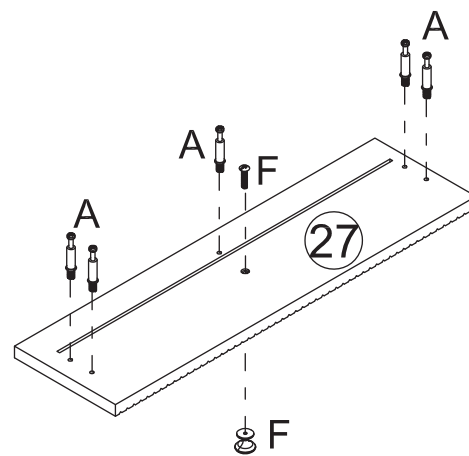
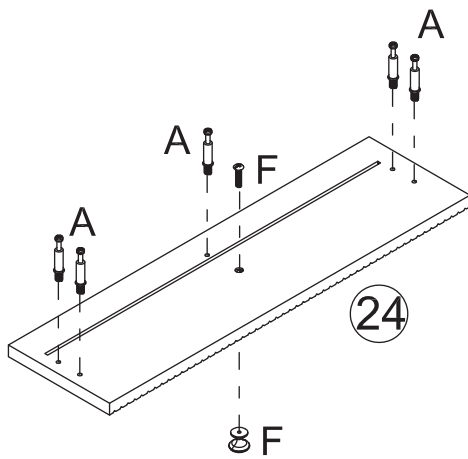
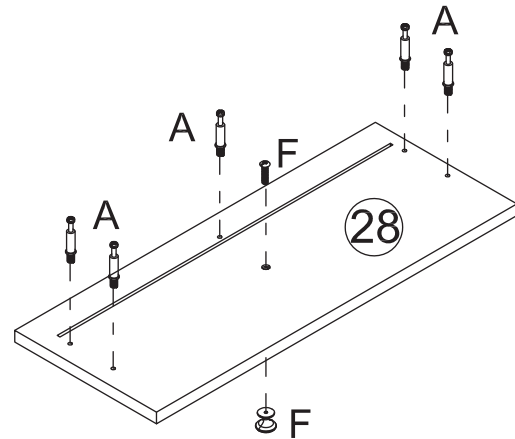
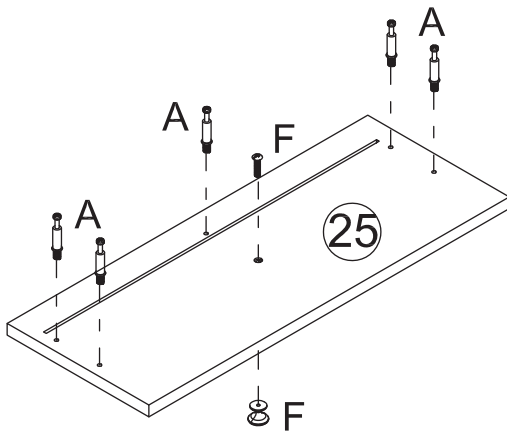
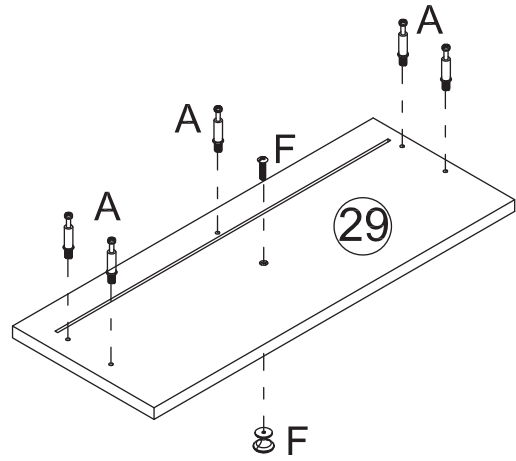
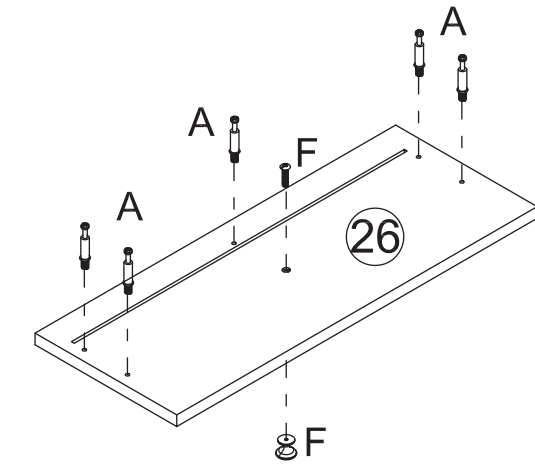
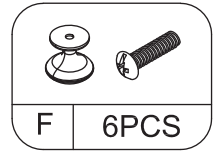
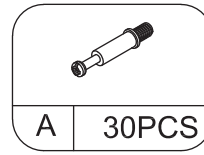


## STEP 21



# INSTALLATION STEPS

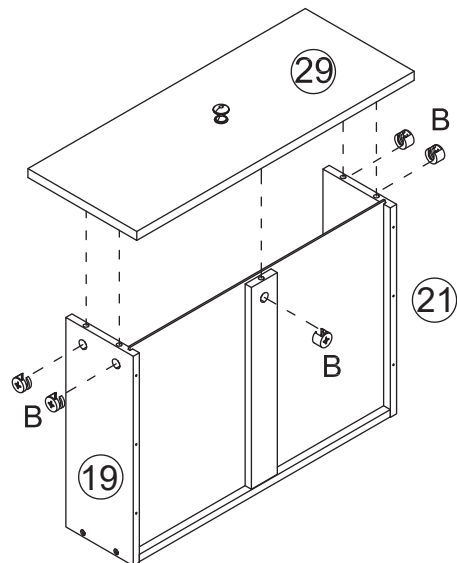
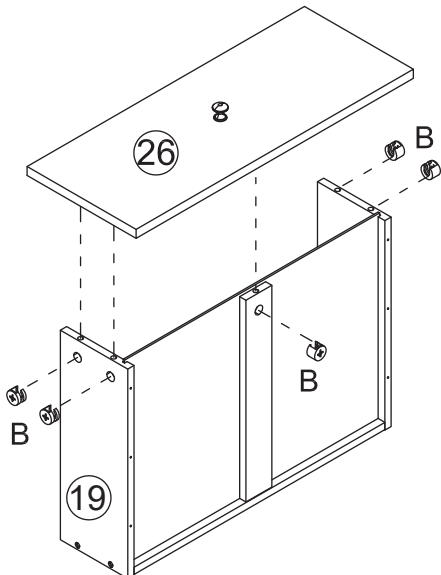
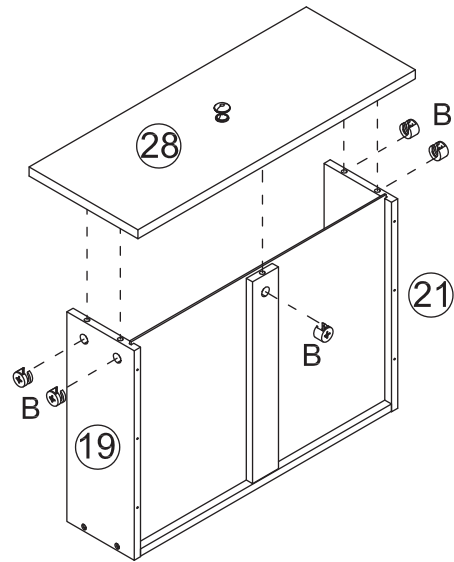
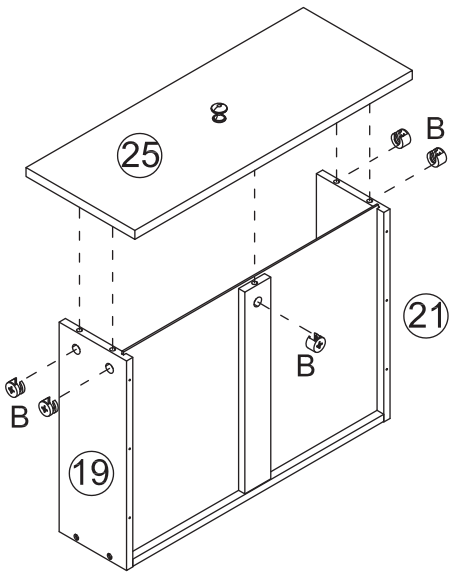
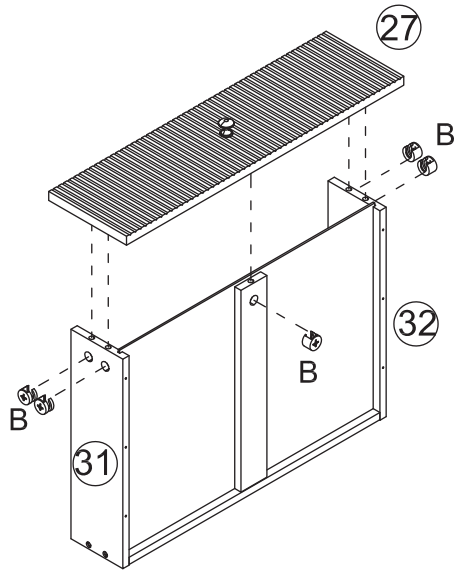
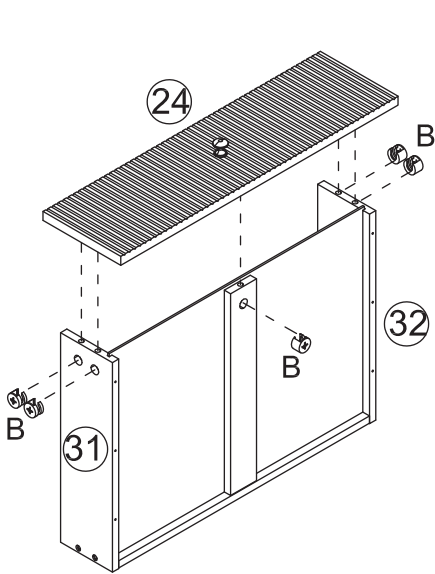
## STEP 22



# INSTALLATION STEPS

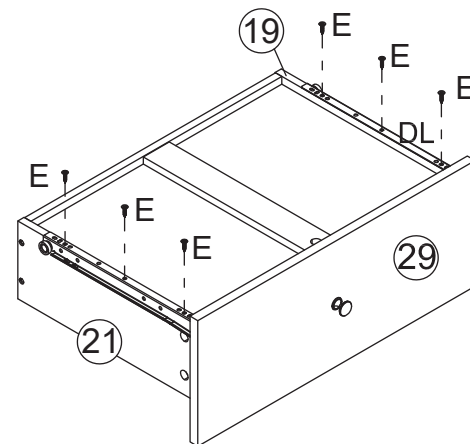
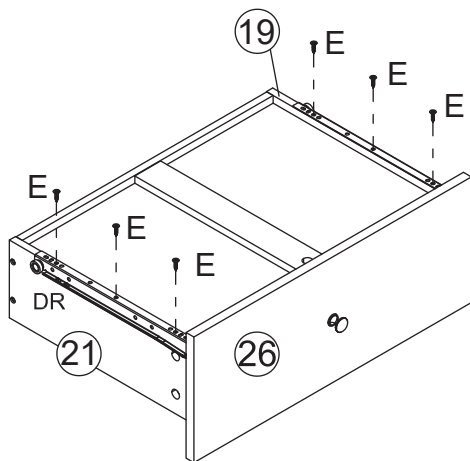
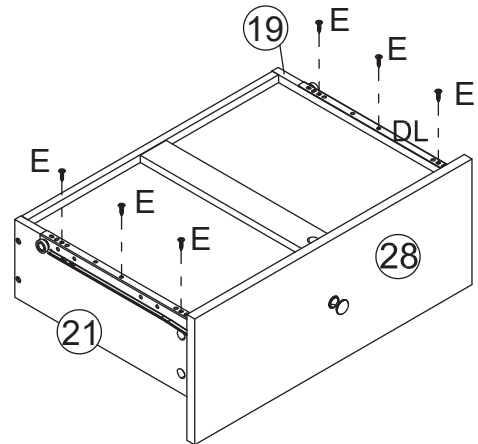
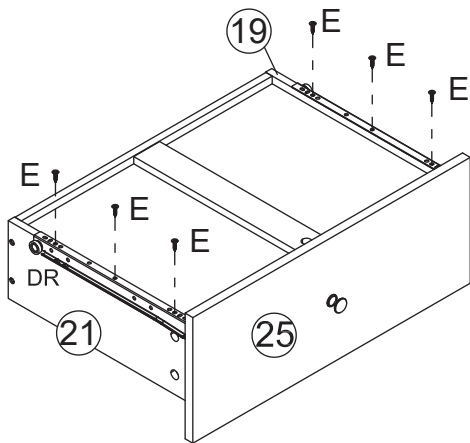
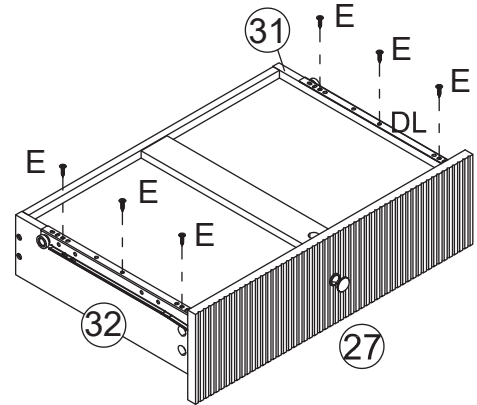
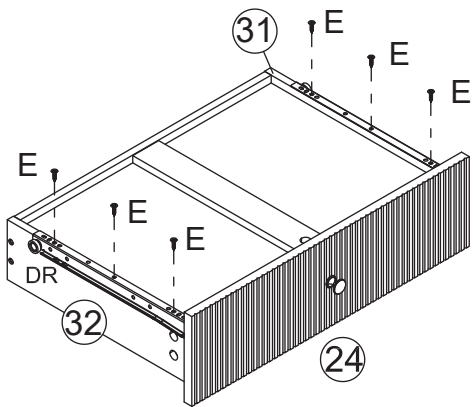
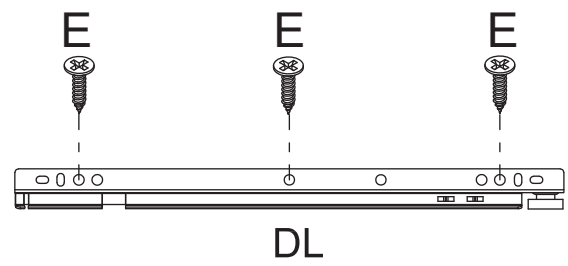
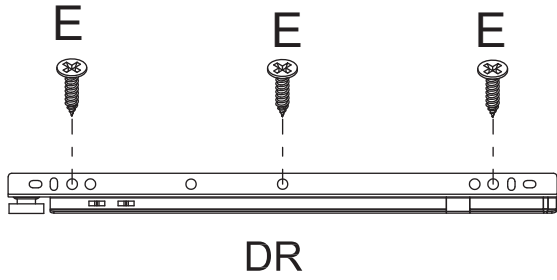
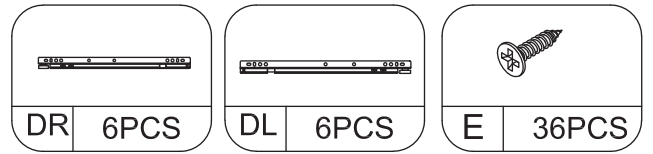
## STEP 23

B	30PCS



# INSTALLATION STEPS

## STEP 24



# INSTALLATION STEPS

## STEP 25

