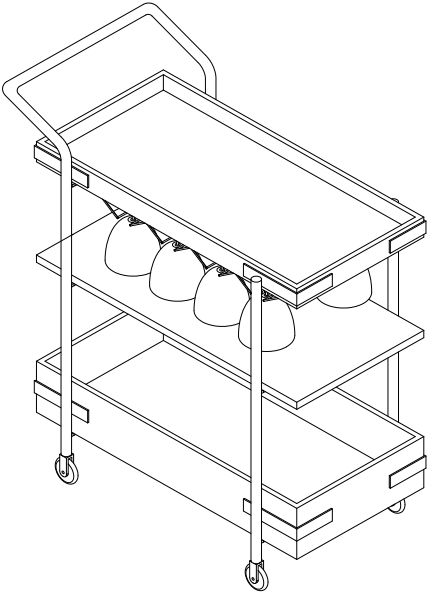

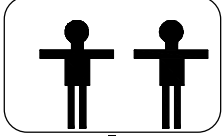

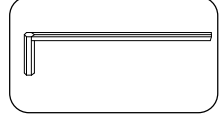
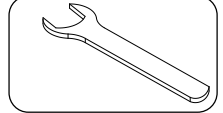


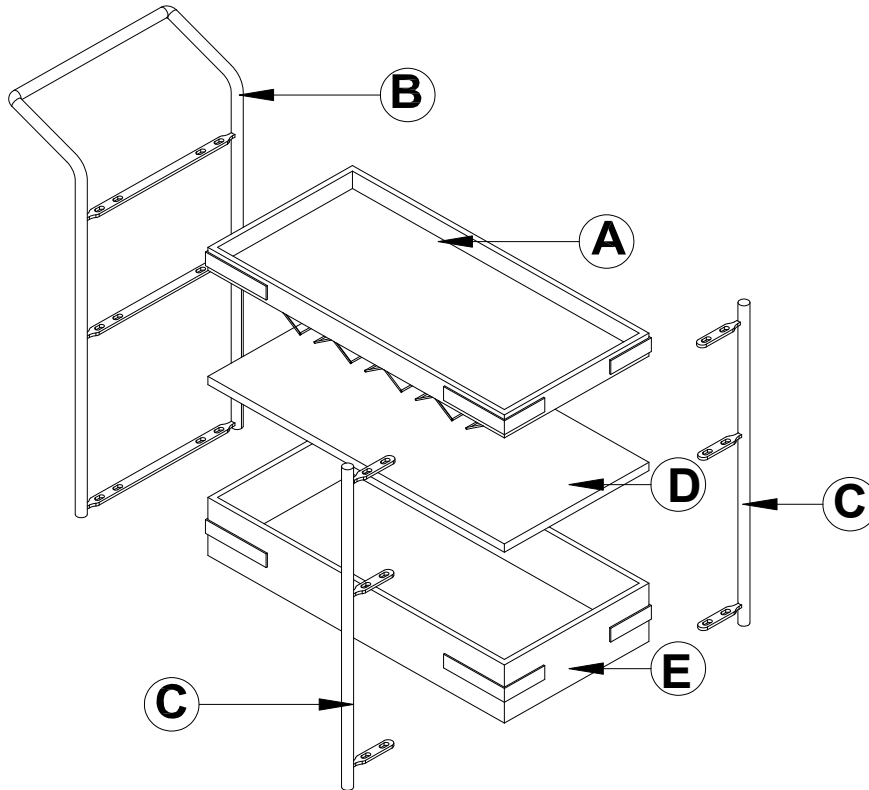
# ASSEMBLY INSTRUCTIONS

## BAR CART

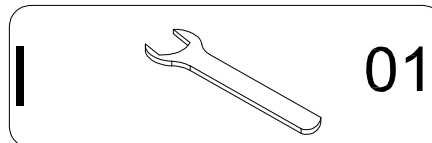
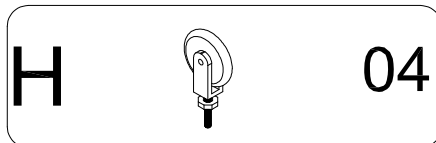
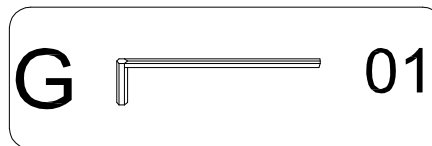
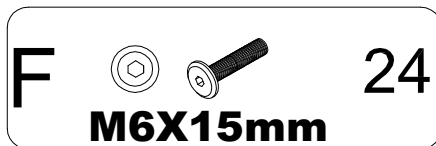


 <p><b>. Use of power tool to assemble this product will invalidate any claim and damage this product making it unsafe!!!</b> <b>. Please assemble on a clean soft surface to avoid damage.</b></p>	 <p>+</p>  <p><b>30 minutes</b></p>	<p><b><u>Tool Included</u></b></p>  
--	---	---

## Part List-Bar Cart



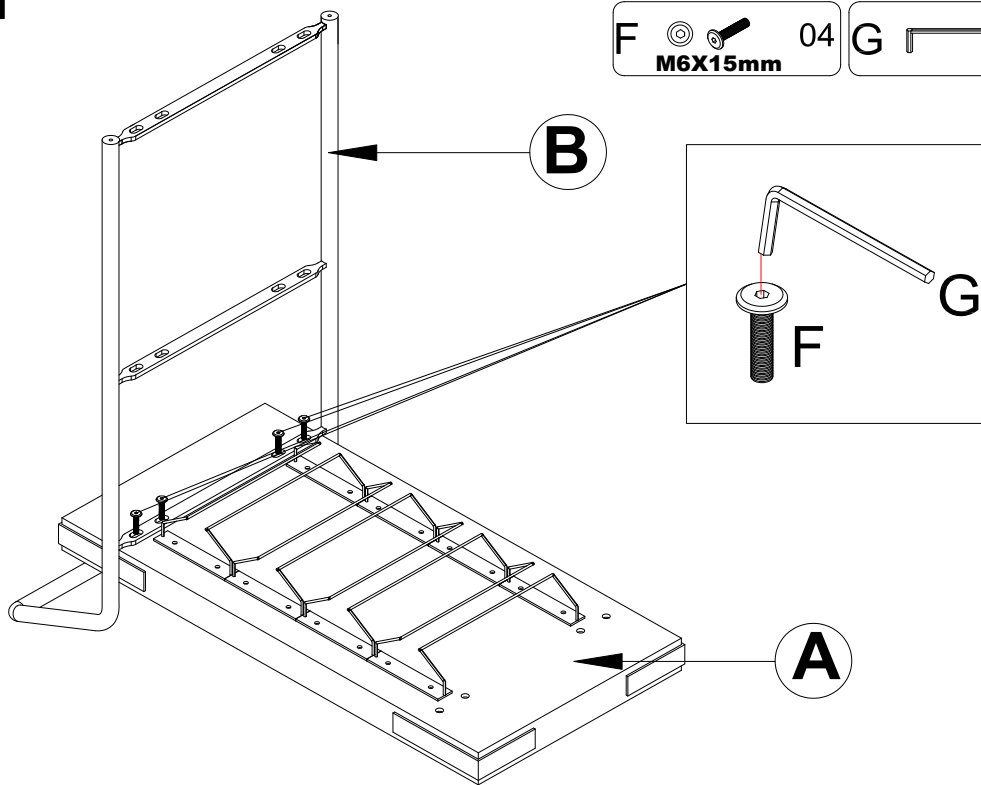
**Identifying the hardware**-Identify the hardware using the illustrations below.



# STEP 1


F  04  
M6X15mm

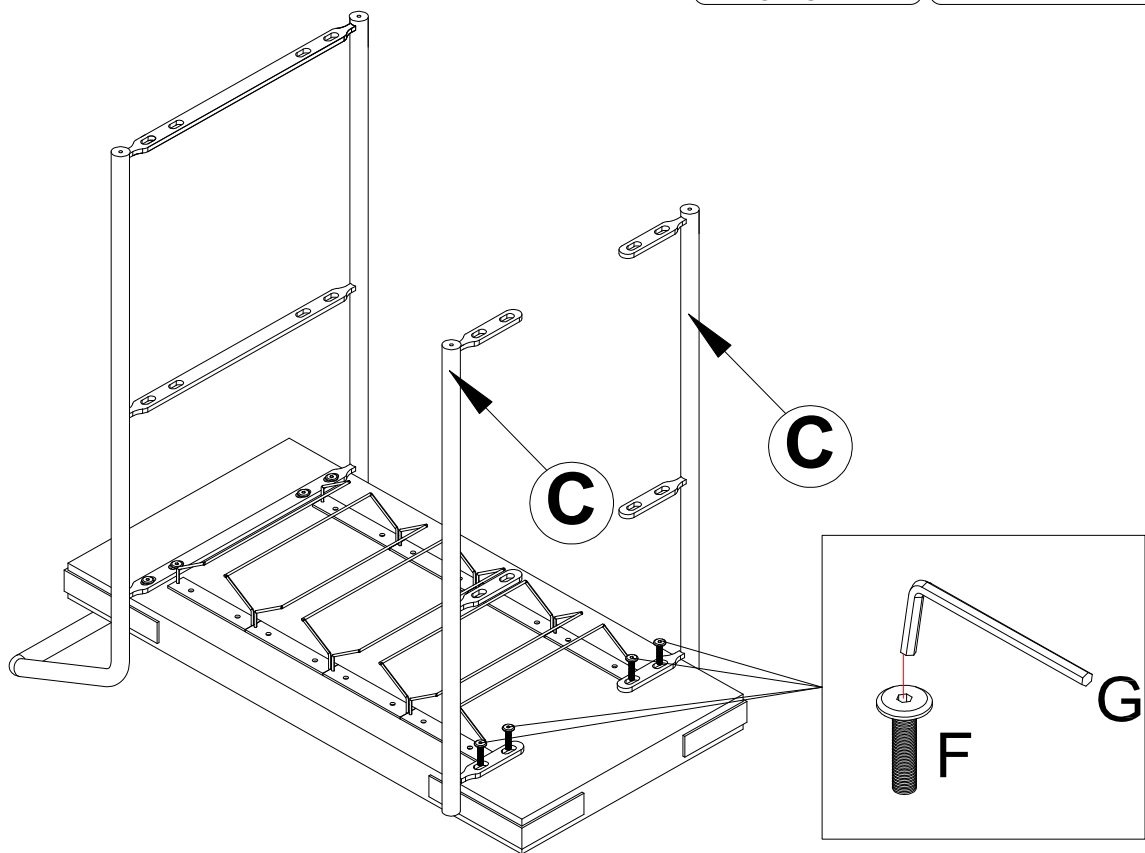
G  01



# STEP 2

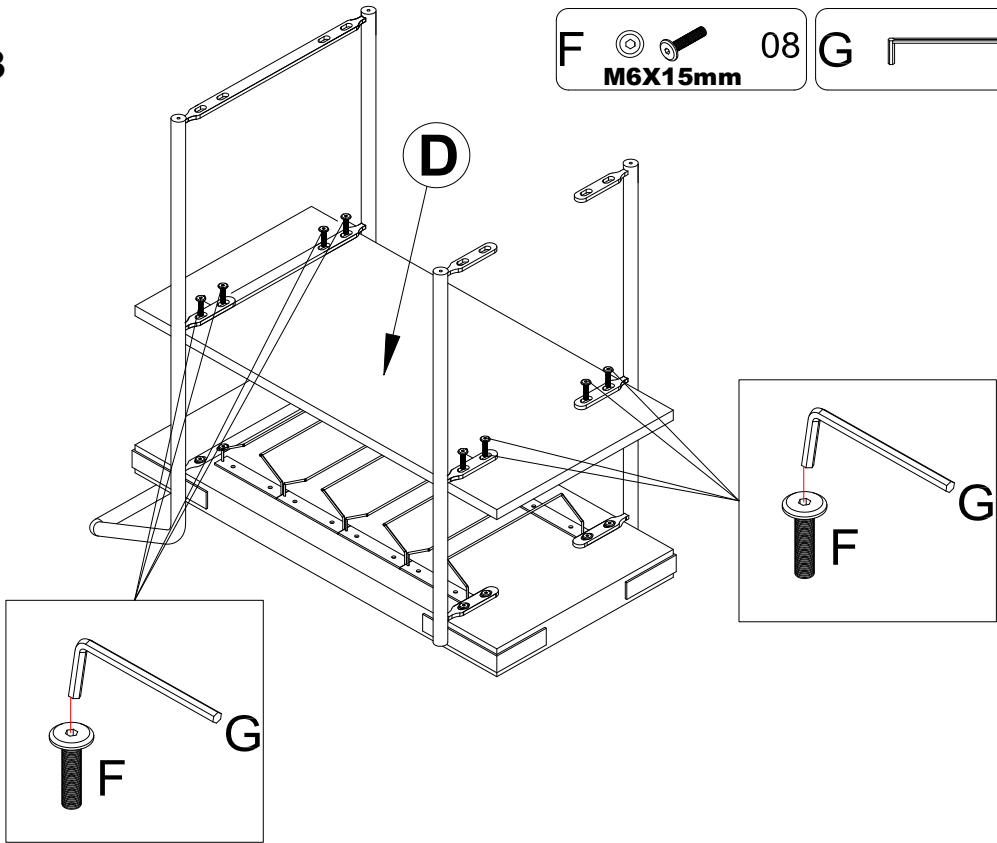
F  04  
M6X15mm

G  01



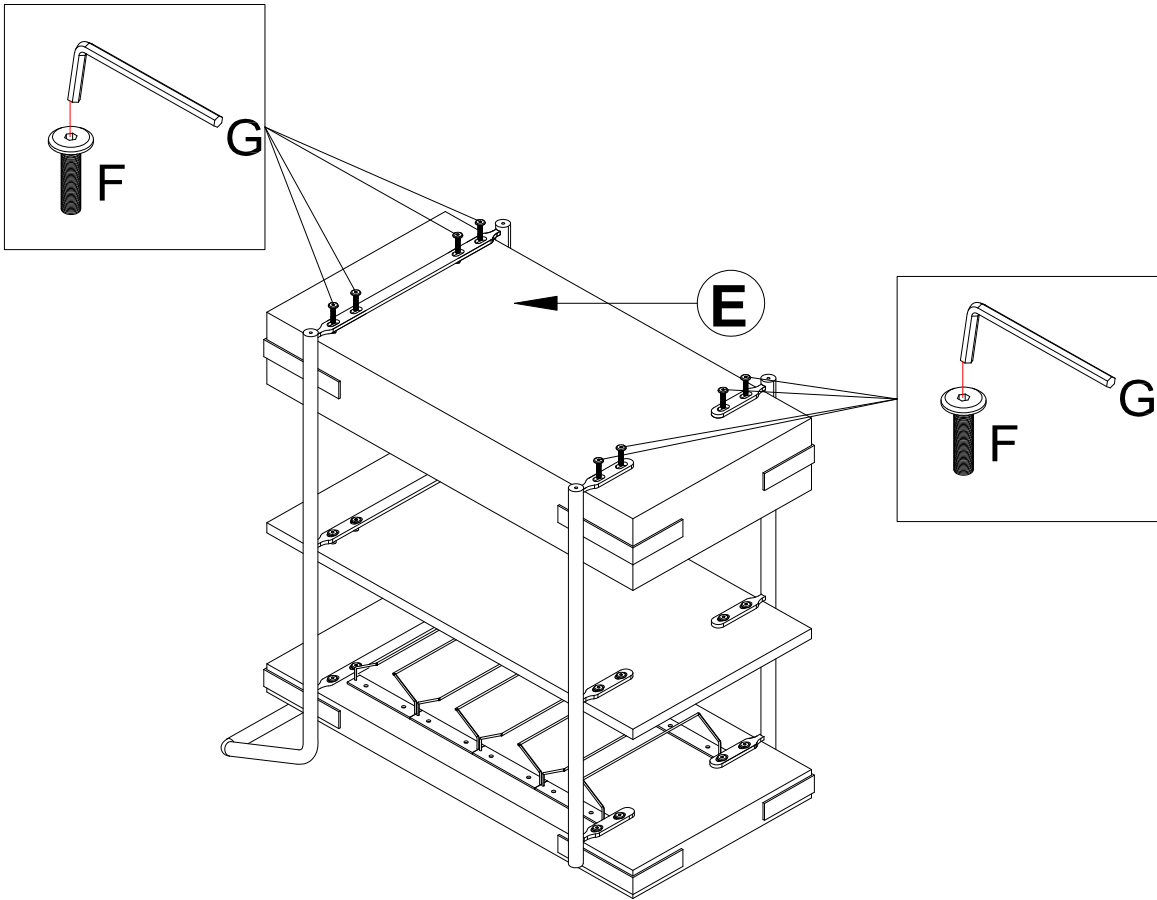
**STEP 3**

<b>F</b>  08 <b>M6X15mm</b>	<b>G</b>  01
---	--



**STEP 4**

<b>F</b>  08 <b>M6X15mm</b>	<b>G</b>  01
---	--



# STEP 5

H 04

I 01

