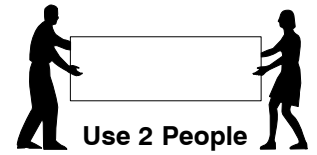
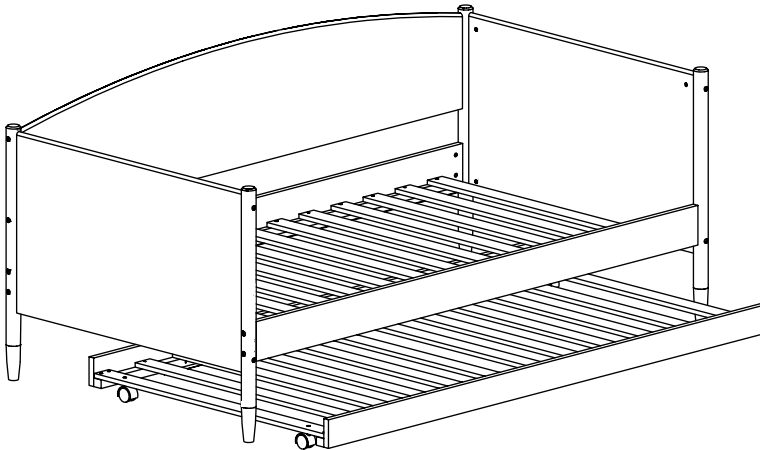


Daybed

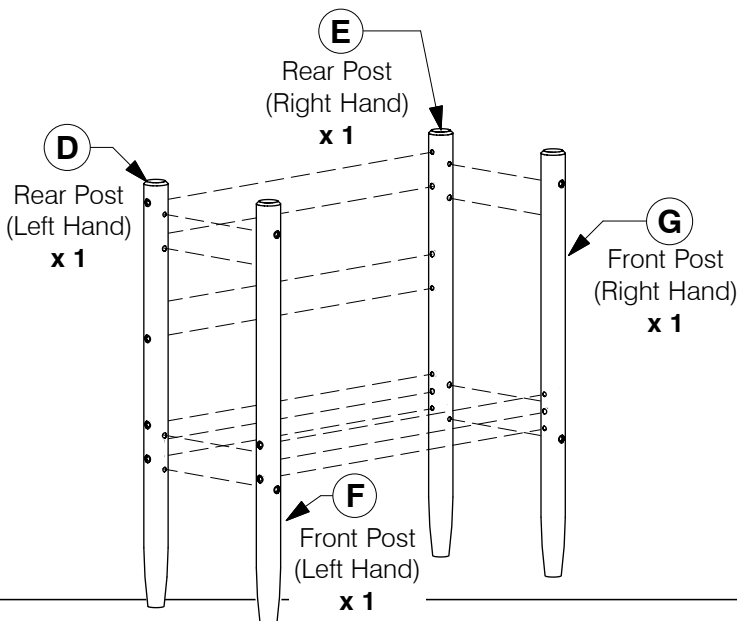
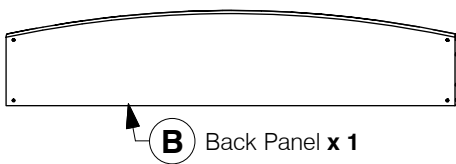
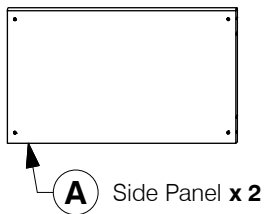
Assembly Instructions

1 Assembled View

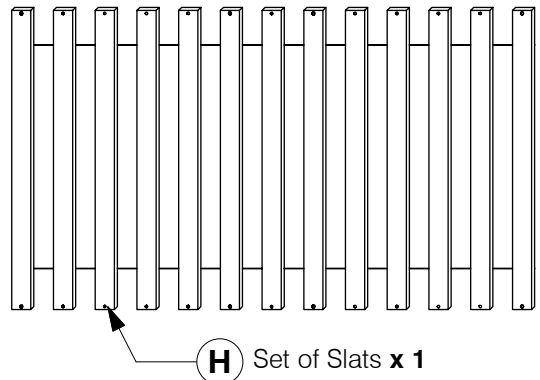


Note: Do not assemble using power tools. This can cause the bolts to be overtightened

2 Parts in this Box



Slats are packed in separately in Box B



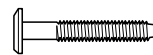
3 Hardware in this Box



1 M6 x 90mm JCB x 20



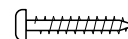
4 Barrel Nut x 20



2 M6 x 40mm JCB x 8



5 Wood Dowel (10 x 40mm) x 16



3 Wood Screw (M4 x 32mm) x 18

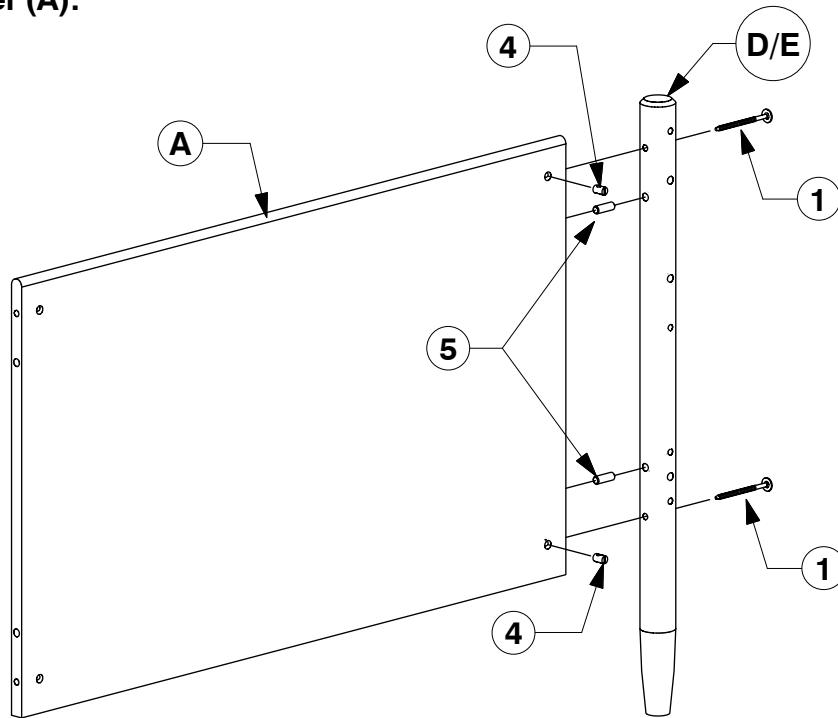


6 Allen Key x 1

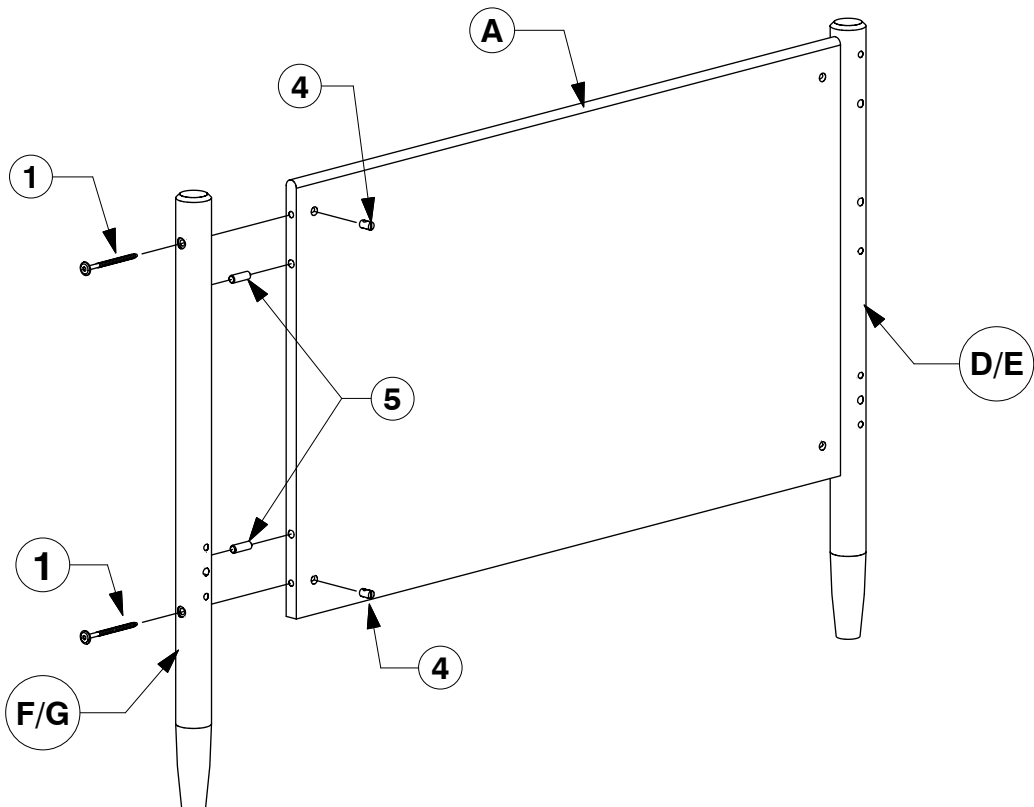
Daybed

Assembly Instructions

- 4** Assemble the Rear Post (D/E) to the Side Panel (A).



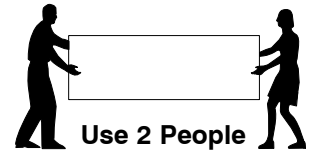
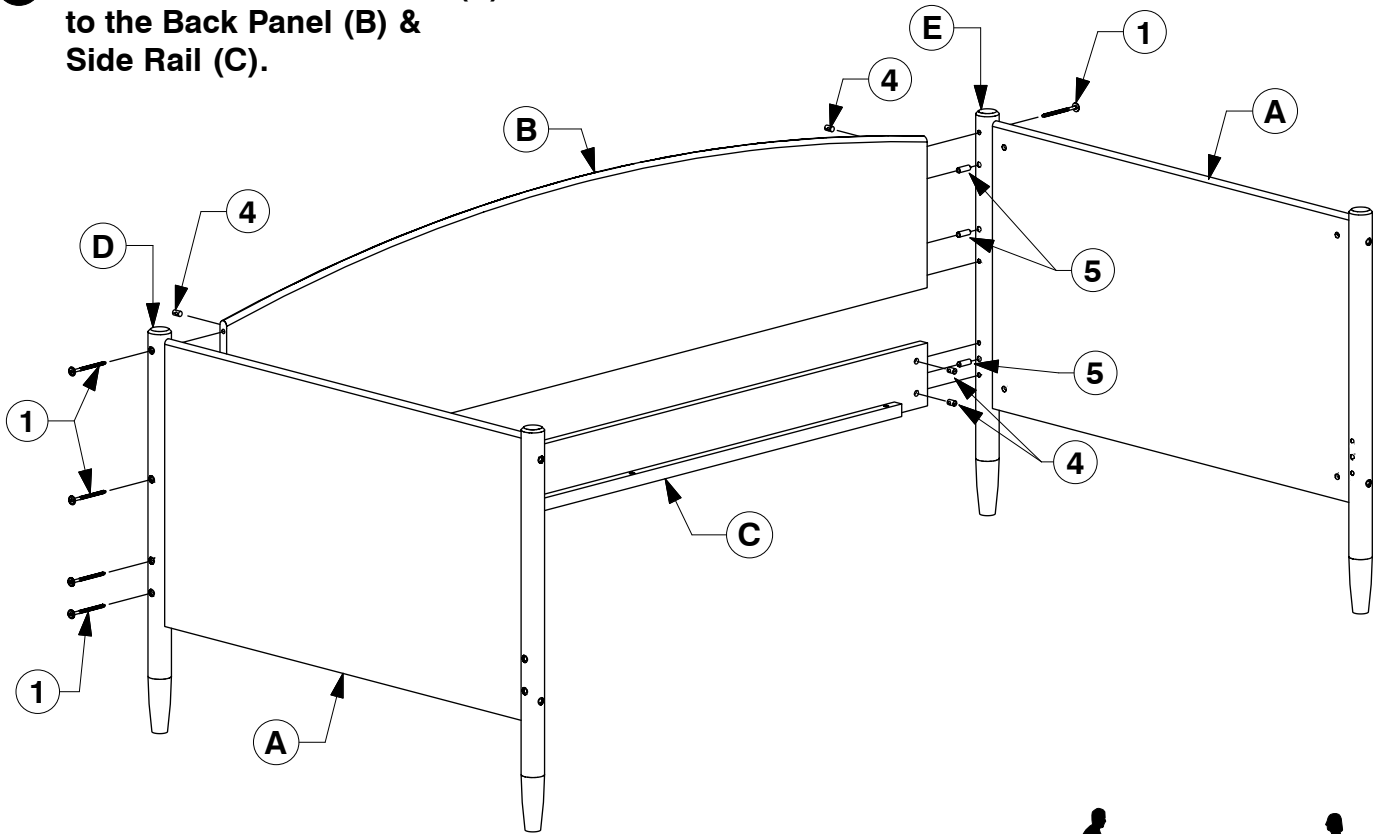
- 5** Assemble the Front Post (F/G) to the Side Panel (A).



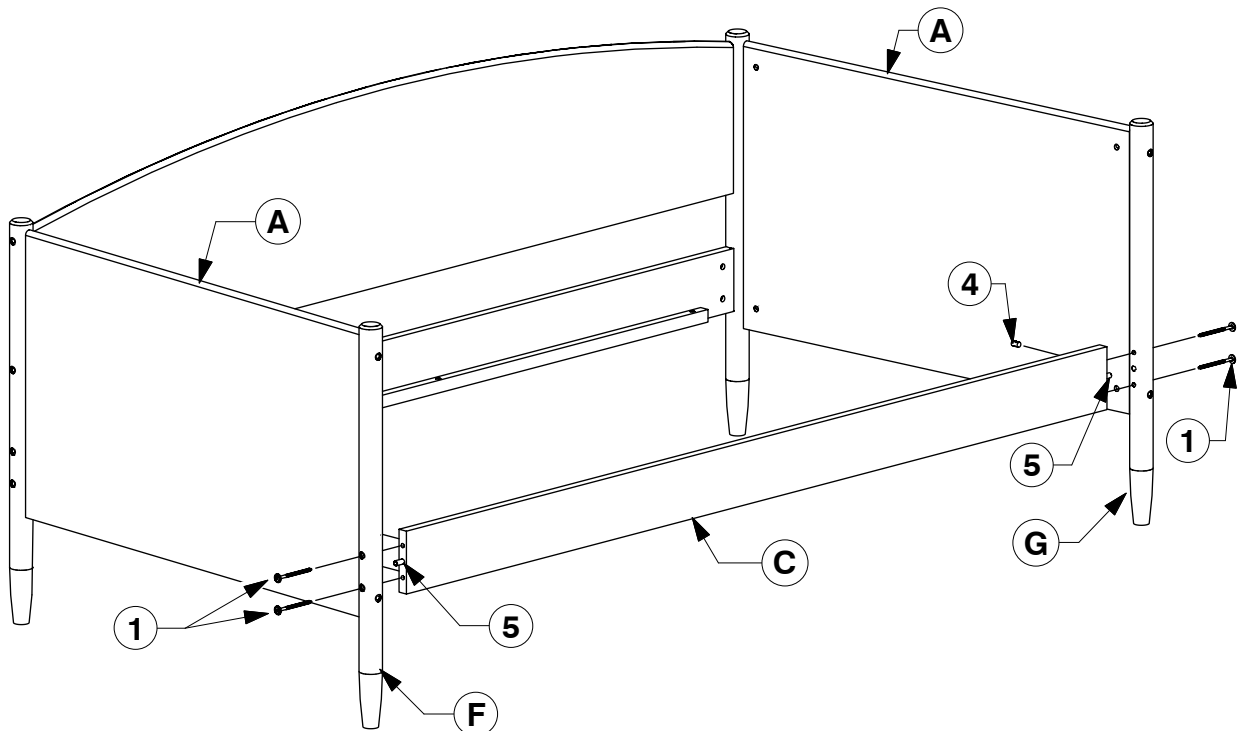
Daybed

Assembly Instructions

6 Assemble the Side Panel (A) to the Back Panel (B) & Side Rail (C).



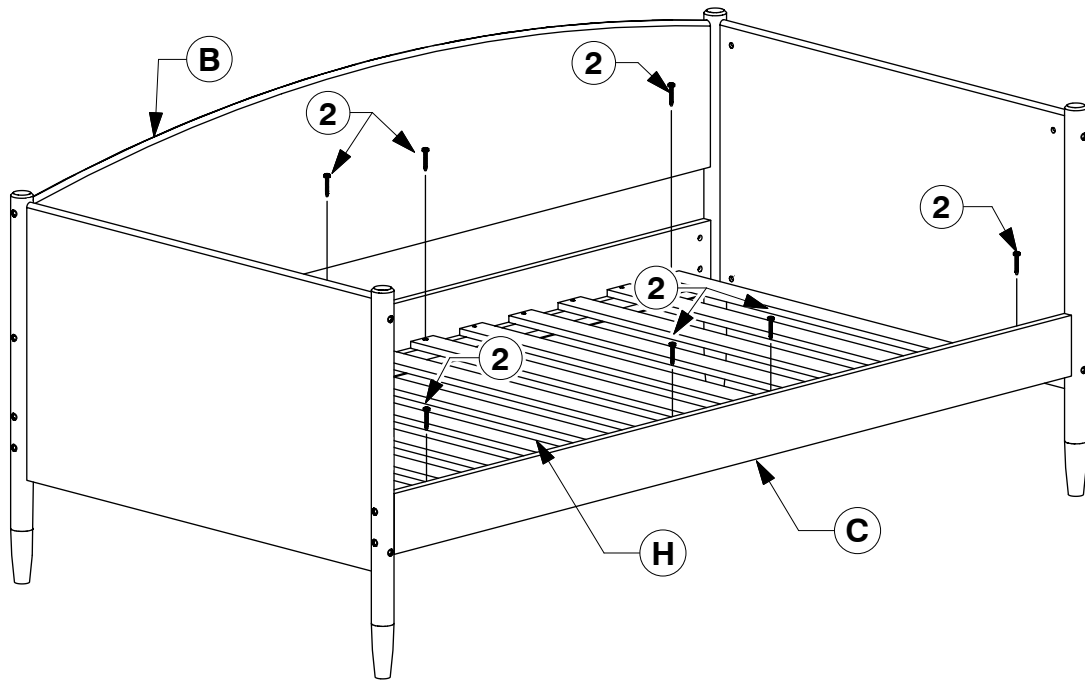
7 Assemble the Side Rail (C) to the Front Post (F/G).



Daybed

Assembly Instructions

- 8** Bolt the Set of Slats (H) between the Side Rail (C).



- 9** Screw the Set of Slats (H) between the Side Rail (C).
Finally, fit the assembled Trundle.

