












# Assembly Instructions

**Caution : You must read this before you proceed**

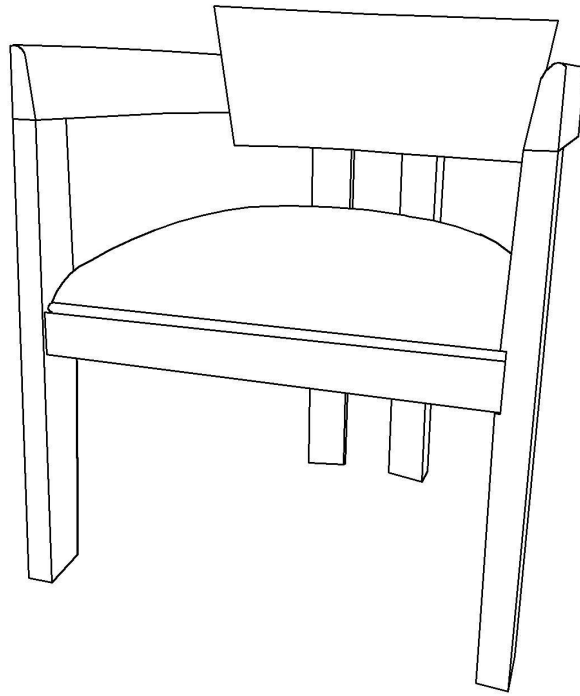
## **Care & Maintenance**

- ⊘  ● Not for commercial use. For residential use only.
- ✓  ● Furniture may scratch floors. We recommend using furniture pads to protect your floors.
- ⊘  ● Do not put hot items directly on furniture surface.
- ⊘  ● Do not clean furniture with harsh cleansers or polish.
- ⊘  ● Do not place furniture under direct sunlight.
- ⊘  ● Do not place furniture near heating or cooling vents.
- ⊘  ● Do not write on furniture without a padded barrier to protect the surface.
- ⊘  ● Do not place furniture outside . For indoor use only.
- ⊘  ● Stains may be removed with mild soap solution and damp cloth.
- ⊘  ● Children should not climb or jump on the furniture.
- ✓  ● Dust and pick-up spills using a clean, non-colored, lint-free cloth.

Please look in Seat frame for hardware packs and legs.

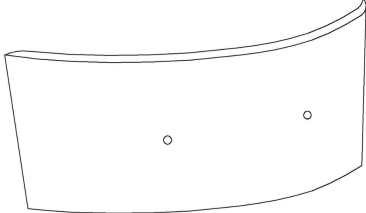
Sets often ship in multiple boxes and may arrive a day or two apart.

# CHAIR


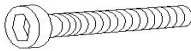
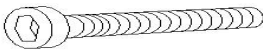



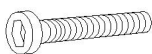


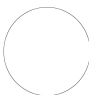



## Parts List

Label	Picture	Description	QTY
A	A line drawing of the left armrest of the chair, showing its curved shape and attachment points.	Chair Left Armrest	1
B	A line drawing of the right armrest of the chair, showing its curved shape and attachment points.	Chair Right Armrest	1
C	A line drawing of the seat cushion of the chair, showing its rectangular shape and thickness.	Seat Cushion	1

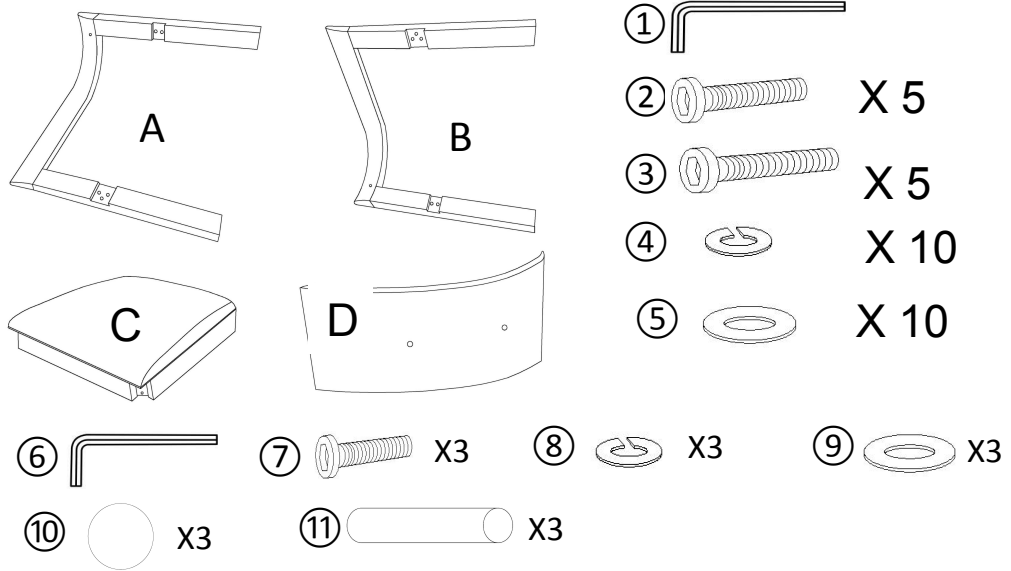
D		Chair Backrest	1
---	---	----------------	---

## Hardware

Label	Picture	Description	QTY
①		Allen Wrench (M8)	1
②		Bolt (M8x45mm)	5
③		Bolt (M8x83mm)	5
④		Spring Washer (M8)	10
⑤		Flat Washer (M8)	10
⑥		Allen Wrench (M6)	1
⑦		Bolt (M6x38mm)	3
⑧		Spring Washer (M6)	3
⑨		Flat Washer (M6)	3
⑩		Hole Sticker	3
⑪		Wood tenon (Φ 10x40mm)	3

# Assembly Preparation

Before Beginning Assembly:



- Read instructions, cover to cover-



- Have 2 adults on hand for assembly-



- Do not assemble on flooring or carpet-



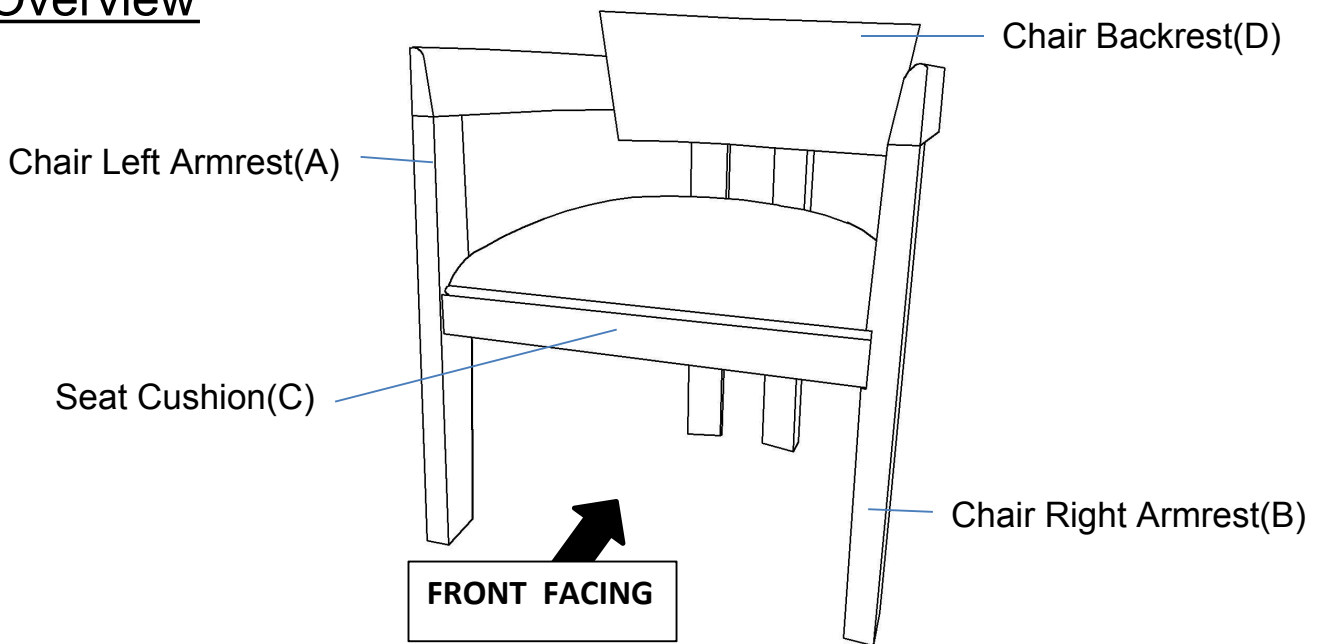
- Assemble on a clean non-marring surface (packing foam)-



- Save all packaging until finished-

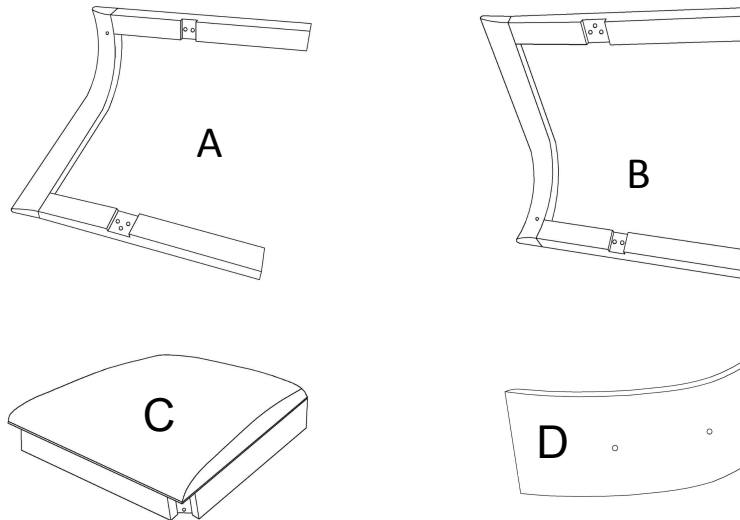
# Assembly Steps

## Overview



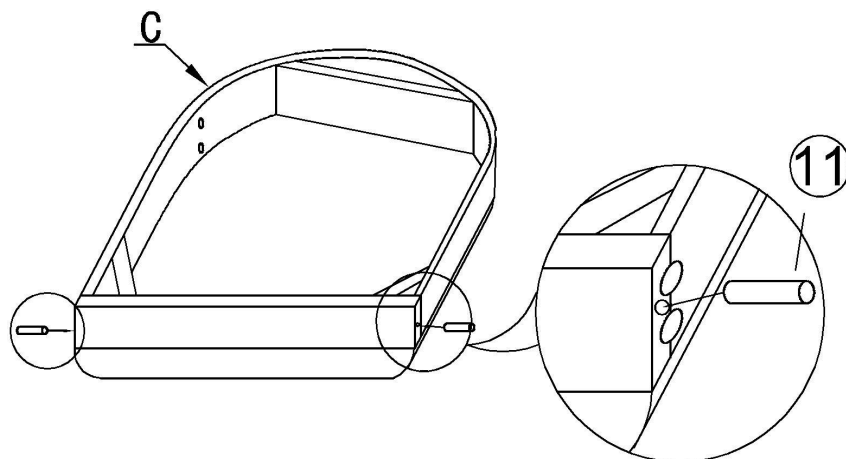
This Chair has multiple parts and may require up to some 30 minutes to assemble. To give you an overview of the Chair parts, the above picture is to help you put the various parts into perspective. Please read through the instructions below to familiarise yourself with the parts and steps before assembly.

### Step 1



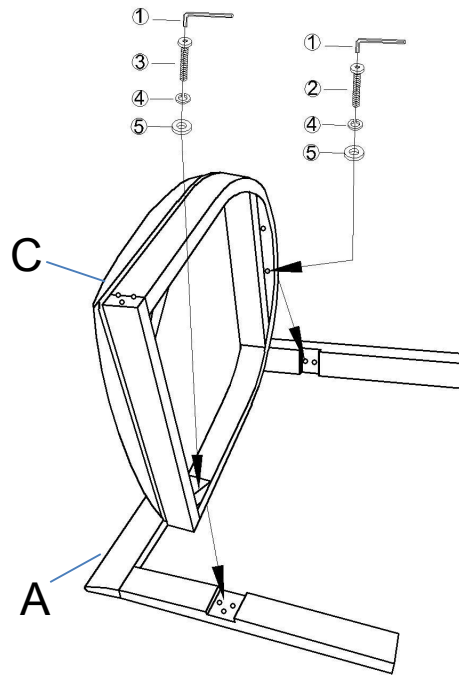
Place all Parts on a clean and flat surface.

### Step 2



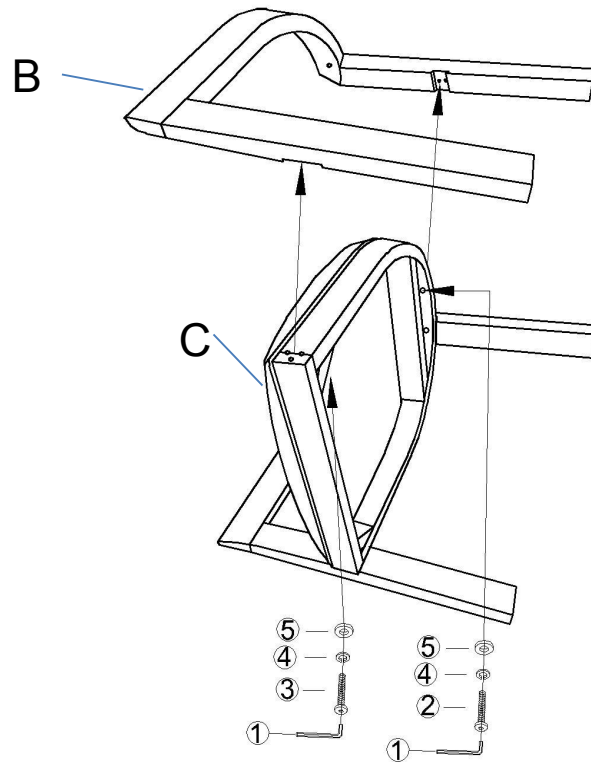
As shown in the picture, place the Wooden tenon (⑪) in the wooden tenon hole on the side of the Seat cushion (C).  
Place on a clean soft surface to avoid scratches or damage to the product.

### Step 3



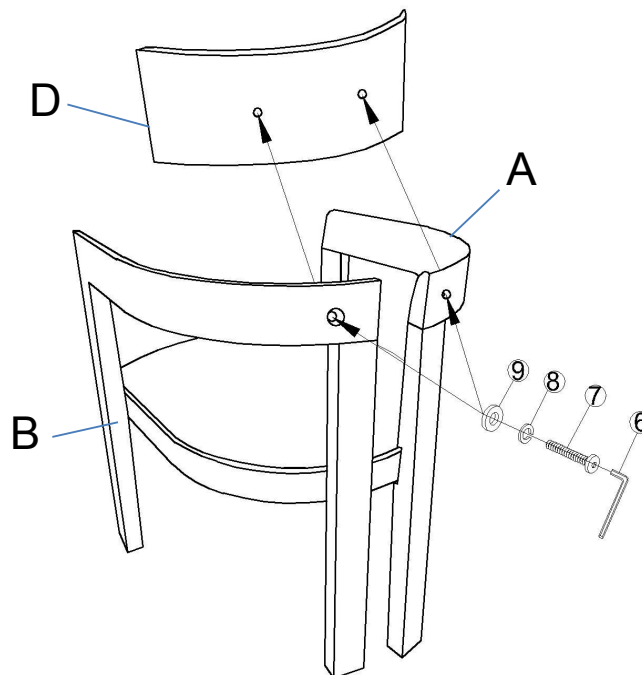
Use the Allen Wrench (①), bolts (②), (③), spring washers (④) and flat washers (⑤) to install the seat cushion (C) as shown in the figure above.  
**Do not fully tighten the Bolts at this time.**

## Step 4



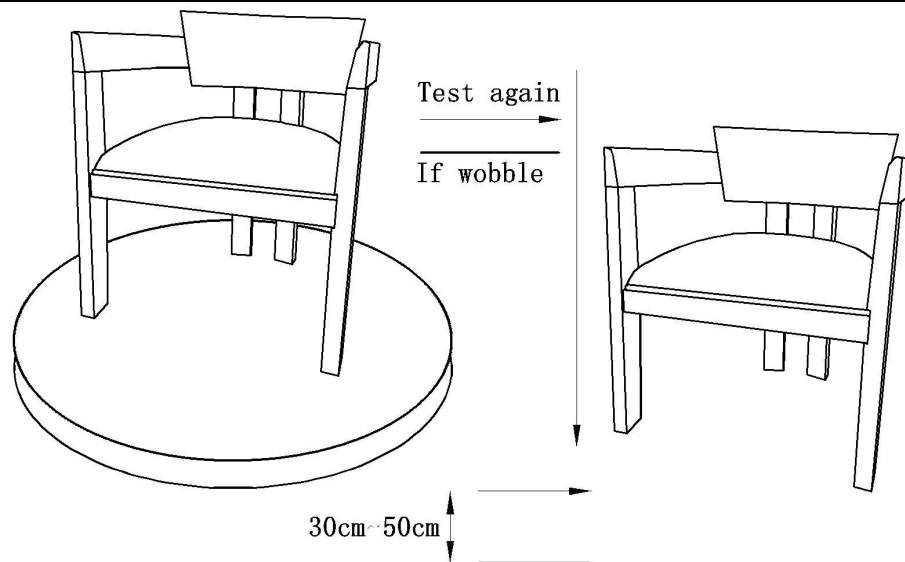
Use the Allen Wrench (①), bolts (②), (③), spring washers (④) and flat washers (⑤) to install the seat cushion (C) as shown in the figure above. **Do not fully tighten the Bolts at this time.**

## Step 5



Install the Chair Backrest (D) as shown in the figure above using the Allen Wrench (⑥), bolts (⑦), spring washers (⑧) and flat washers (⑨). **Do not fully tighten the Bolts at this time.**

## Step 6



Place the Chair on a level Surface to check for wobbles.

If it wobbles, lift the Chair some 30cm to 50cm high from the ground.

Keep your feet and toes well away from the drop zone.

Drop the Chair freely and vertically, with all four legs hitting the ground at the same time.

This Drop Test will help to ensure that all Bolts and gaps reach full alignment status.

Test again for evenness on a Level Surface.

If no wobbles are found, proceed to tighten all the Bolts.

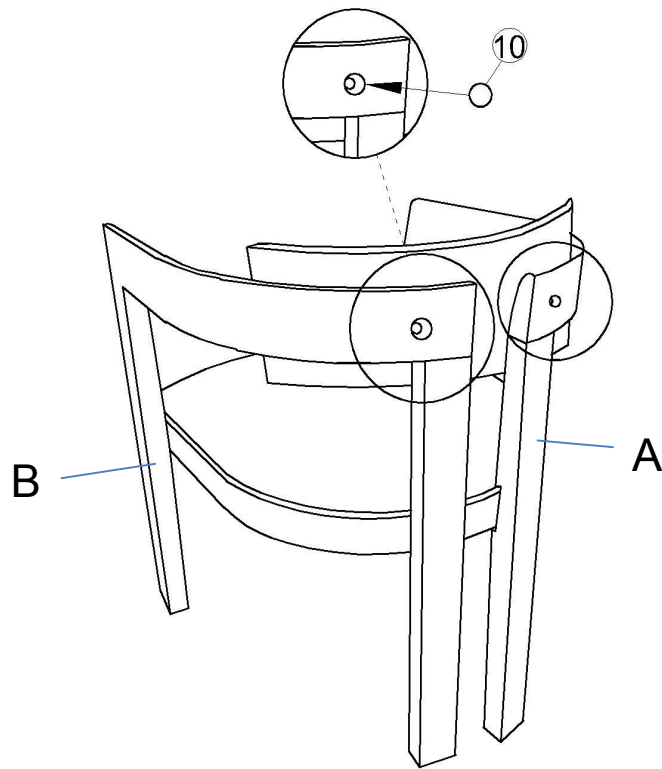
When tightening the Bolts, tighten sequentially.

Do not fully tighten any Bolt fully and then move on towards the next one.

This may cause the frame to warp.

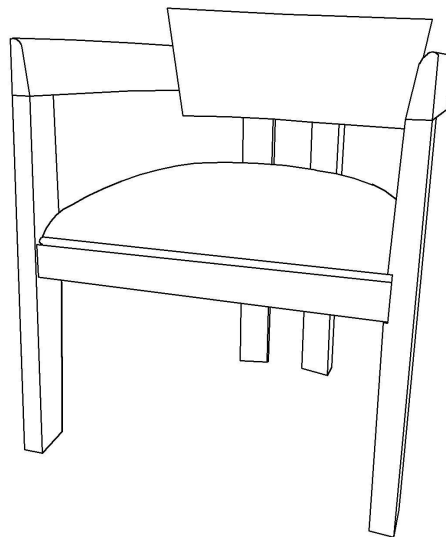
If there are still wobbles, loosen the Bolts and execute this same drop test.

### Step 7



As shown in the figure, stick the Hole Sticker (⑩) to the bolt slot on the Seat back (A) (B).

### Step 8



Your Chair is ready for use.  
This Chair can only be used on a flat, level surface.