

# **IMPORTANT, RETAIN FOR FUTURE REFERENCE: READ CAREFULLY.**

## **Only for domestic use**

### **Instructions for use:**

- \*Put the chair stably on a flat floor.
- \*Stay away from open flames.
- \*Avoid the overload at the chair.

### **Precautions before assembly:**

- \*Prepare a clean and dry mounting area.
- \*Verify that the product is not damaged.
- \*Check that none of the pieces are missing.

### **Maintenance:**

- \*Clean with a soft fabric.
- \*Check the seating regularly.

### **Storage conditions:**

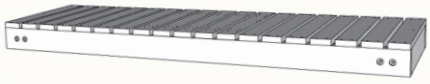


- \*The fabric should be stored completely dry, in a clean and dry place to avoid the risks of mold.

## **Beware of crushing and cutting hazards during assembly.**





**The manufacturer declines all responsibility in case of damages due to a bad installation or withering.**

**If the seating is fitted with powered seat height adjustments, only trained personnel may replace or repair those components.**

# PARTS LIST

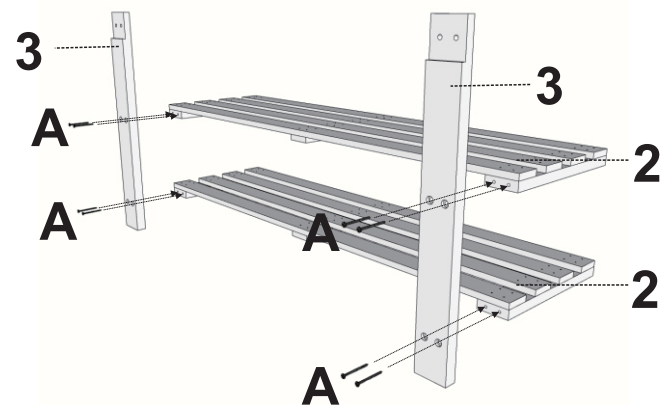
<p>1</p>  <p>1pc</p>	<p>2</p>  <p>2pcs</p>	<p>3</p>  <p>4pcs</p>
---	---	--

# HARDWARE LIST

<p>A</p>  <p>Ø 4x40mm 16pcs</p>	<p>B</p>  <p>Ø 6x30mm 8pcs</p>	<p>C</p>  <p>8pcs</p>	<p>D</p>  <p>4pcs</p>
--	---	---	--

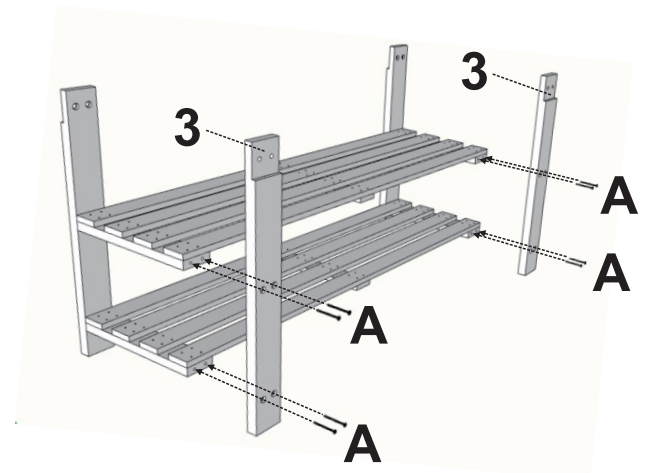
1

Ax8 



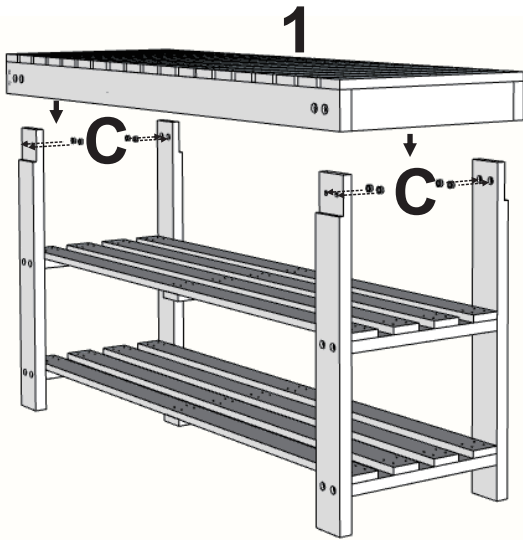
2

Ax8 



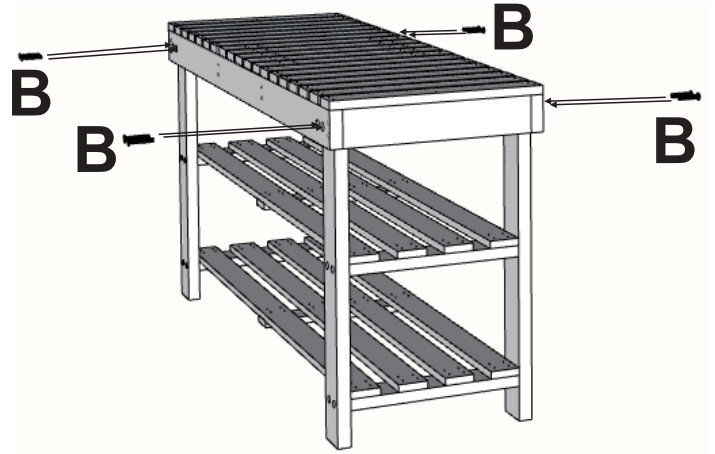
3

Cx8



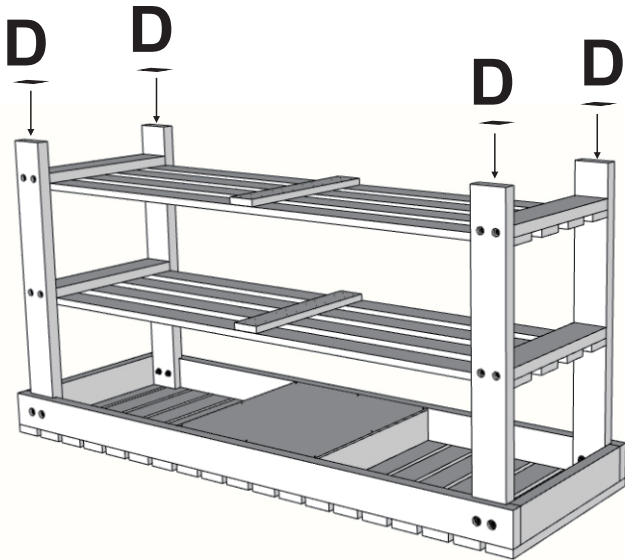
4

Bx8



5

Dx4



6

