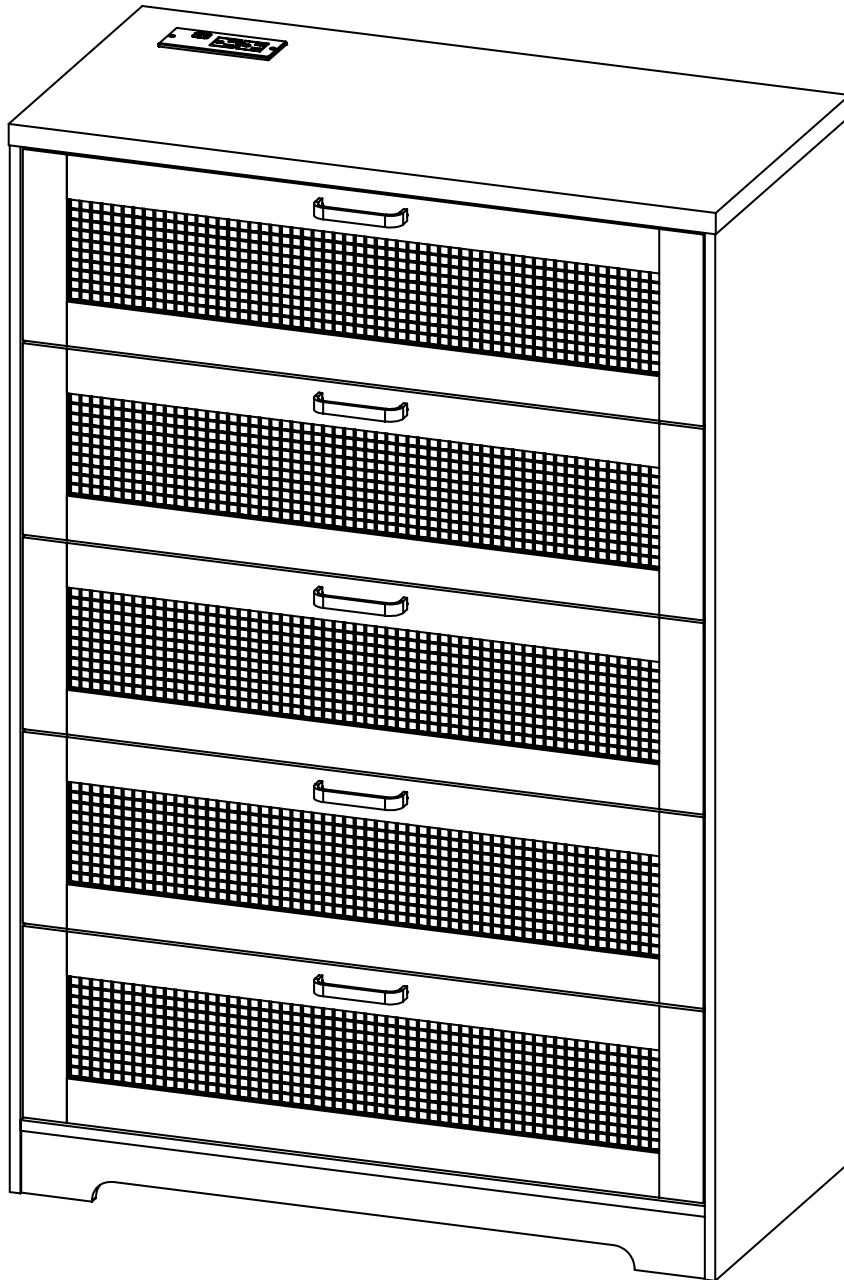
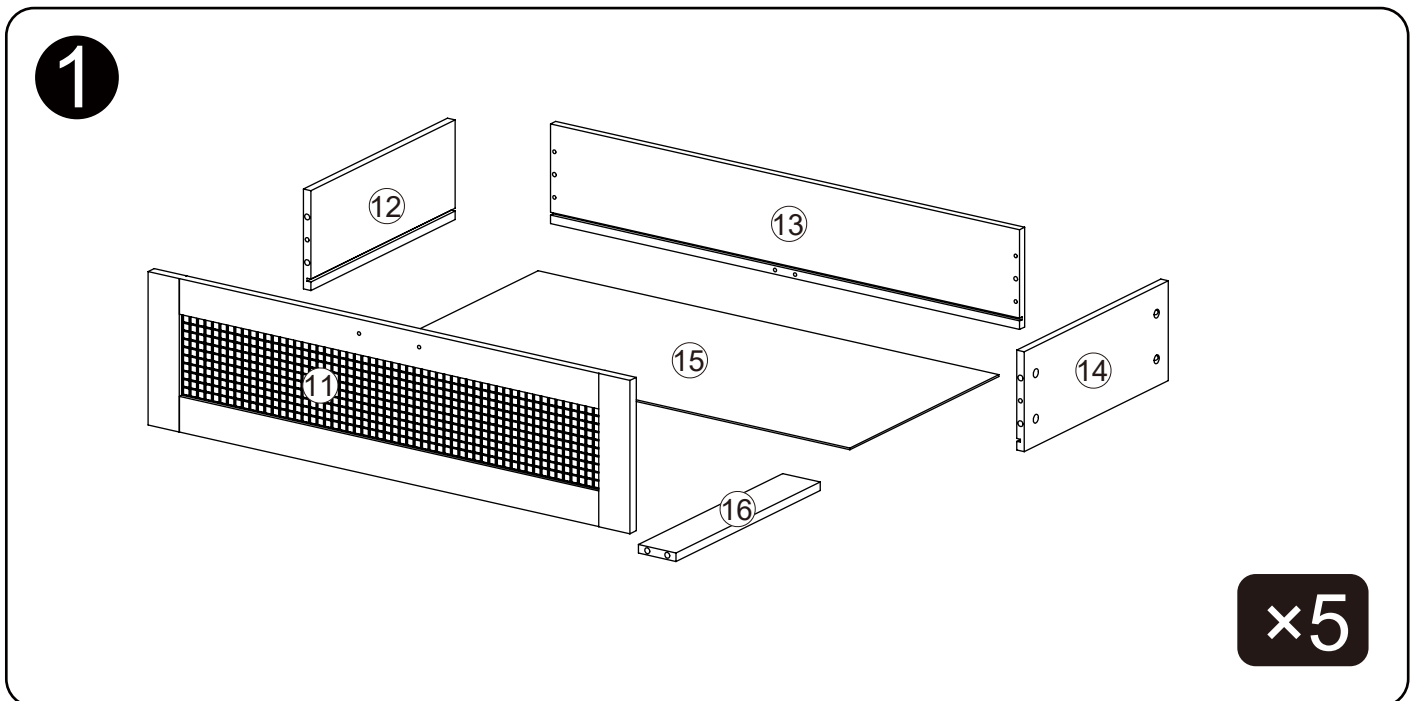
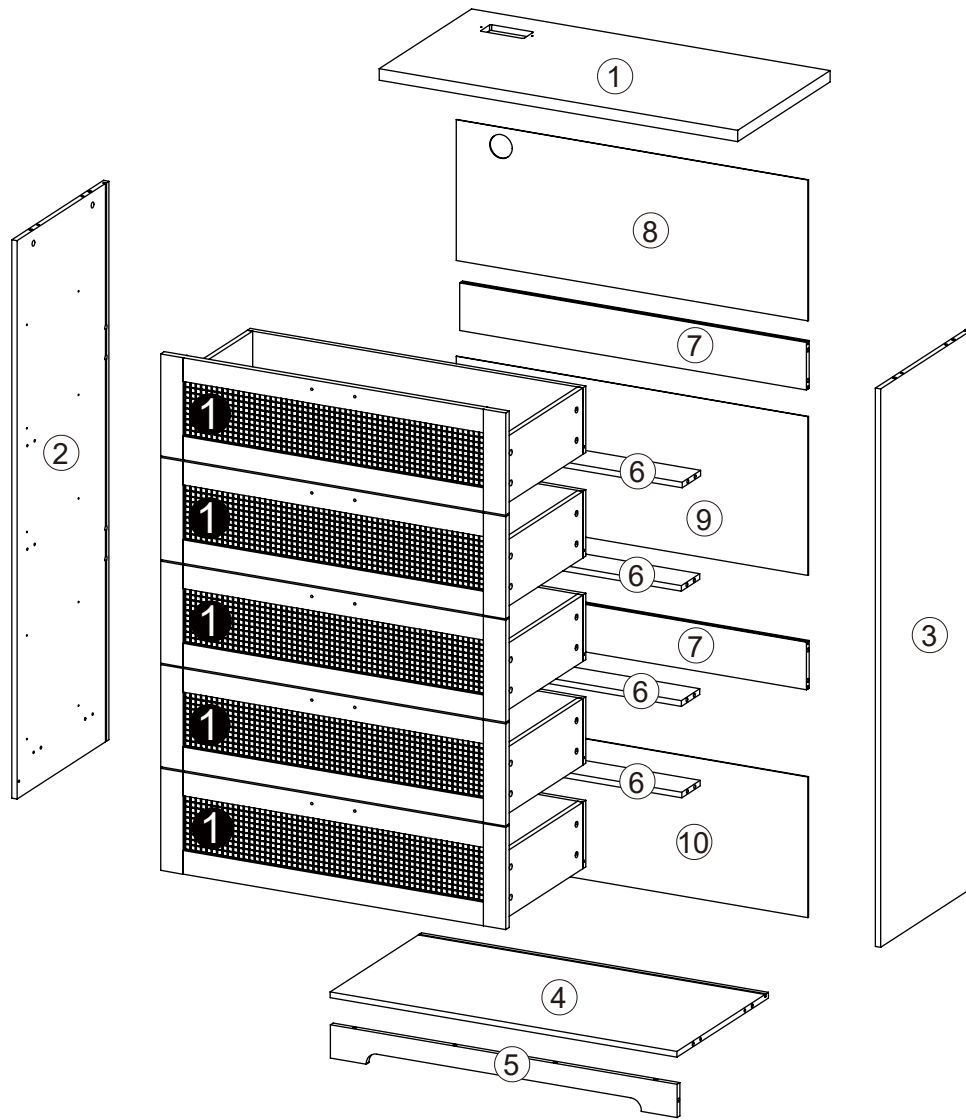


INSTALLATION INSTRUCTION

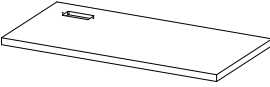



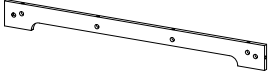


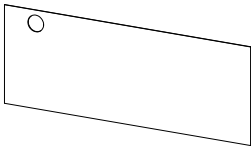
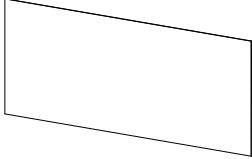
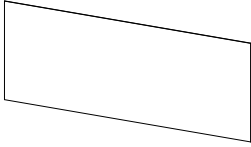
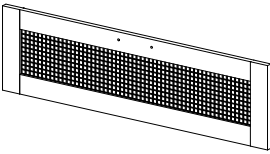
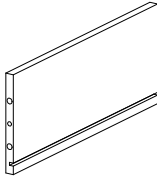
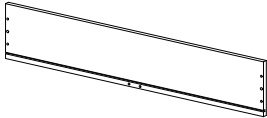
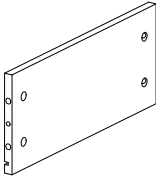

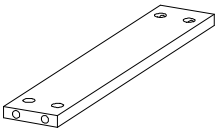


Thank you for purchasing our products. Please contact us if you have difficulty with assembly or need replacement parts. Our customer service is here to assist you. Please attach your User Name and Order ID so that we can assist you better. support@jojoka.net

BOARD IDENTIFICATION



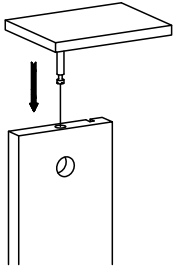
BOARD IDENTIFICATION

				
1 × 1	2 × 1	3 × 1	4 × 1	5 × 1
				
6 × 4	7 × 2	8 × 1	9 × 1	10 × 1
				
11 × 5	12 × 5	13 × 5	14 × 5	15 × 5
				
16 × 5				

BOARD IDENTIFICATION

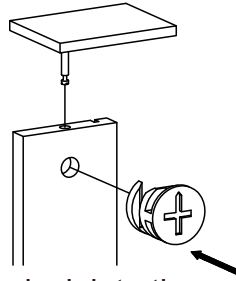
Installation of Eccentric Wheel Nut Set

1



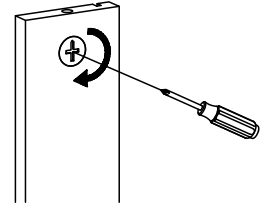
Screw the end of cambolt on the board, find the corresponding board and insert the other end.

2

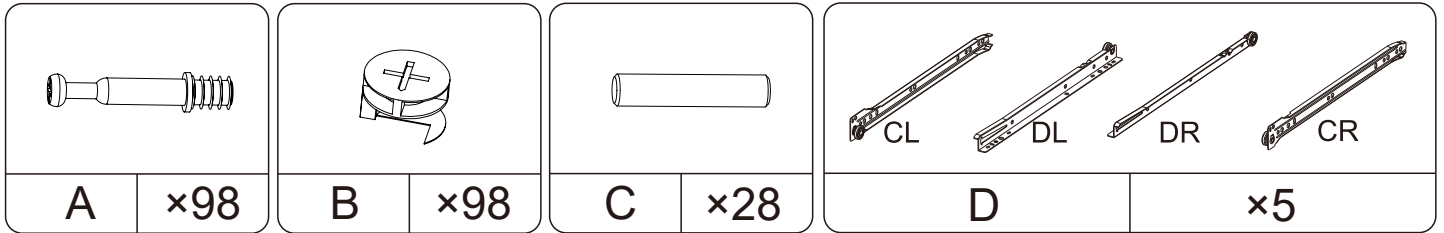


Stuff the camlock into the round hole. The arrow points to the cambolt.

3



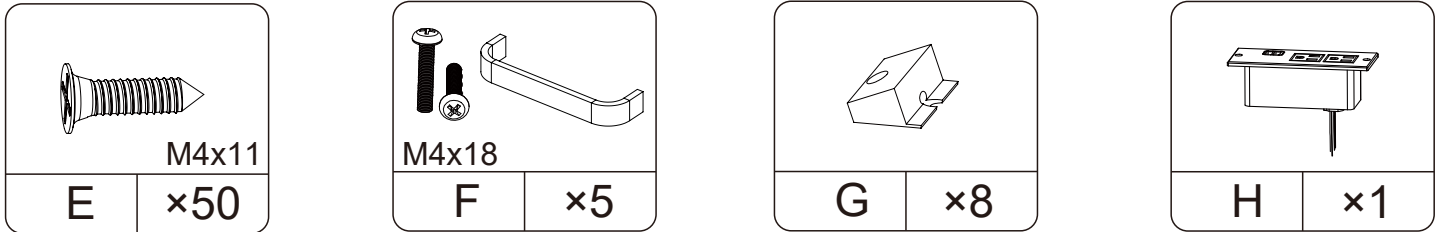
Turn clockwise about 180° to lock the plate.



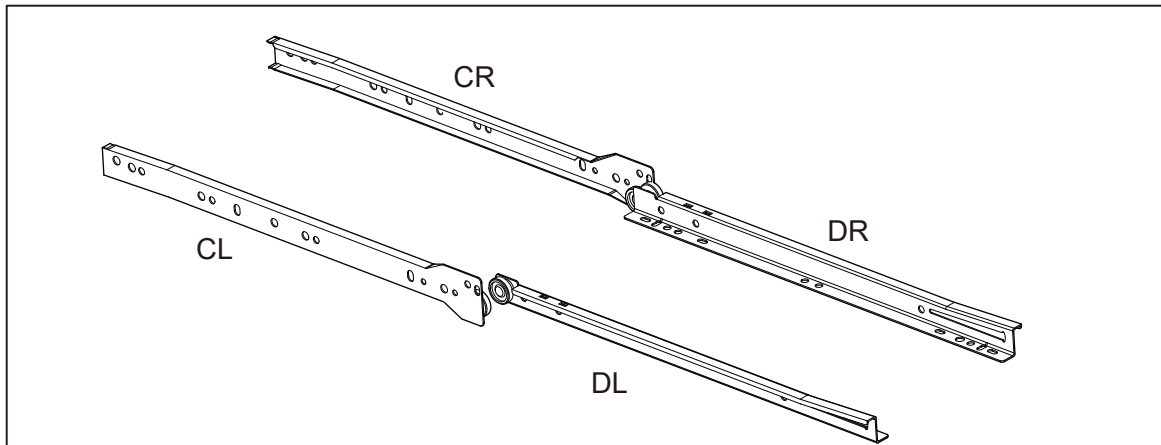
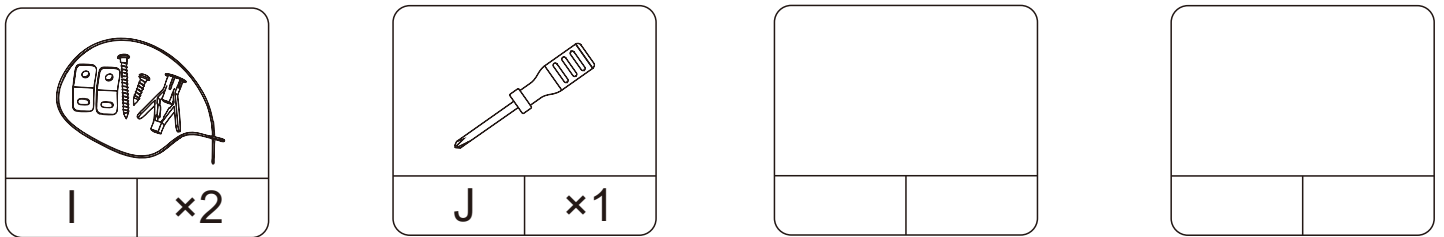
Cam bolt

Cam lock

Wood dowel

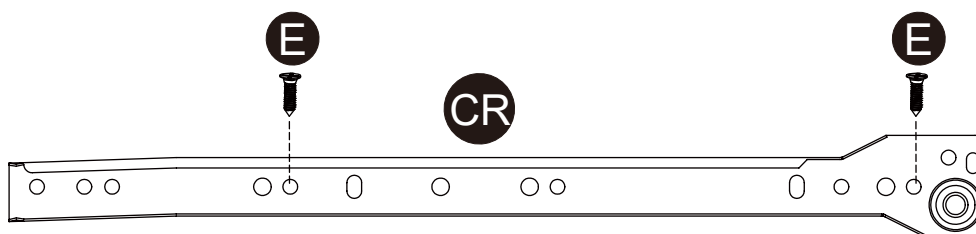
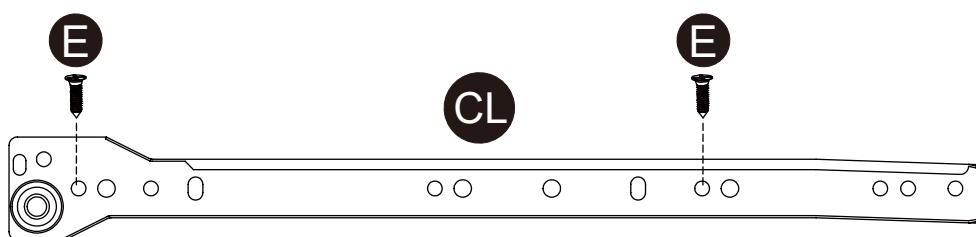
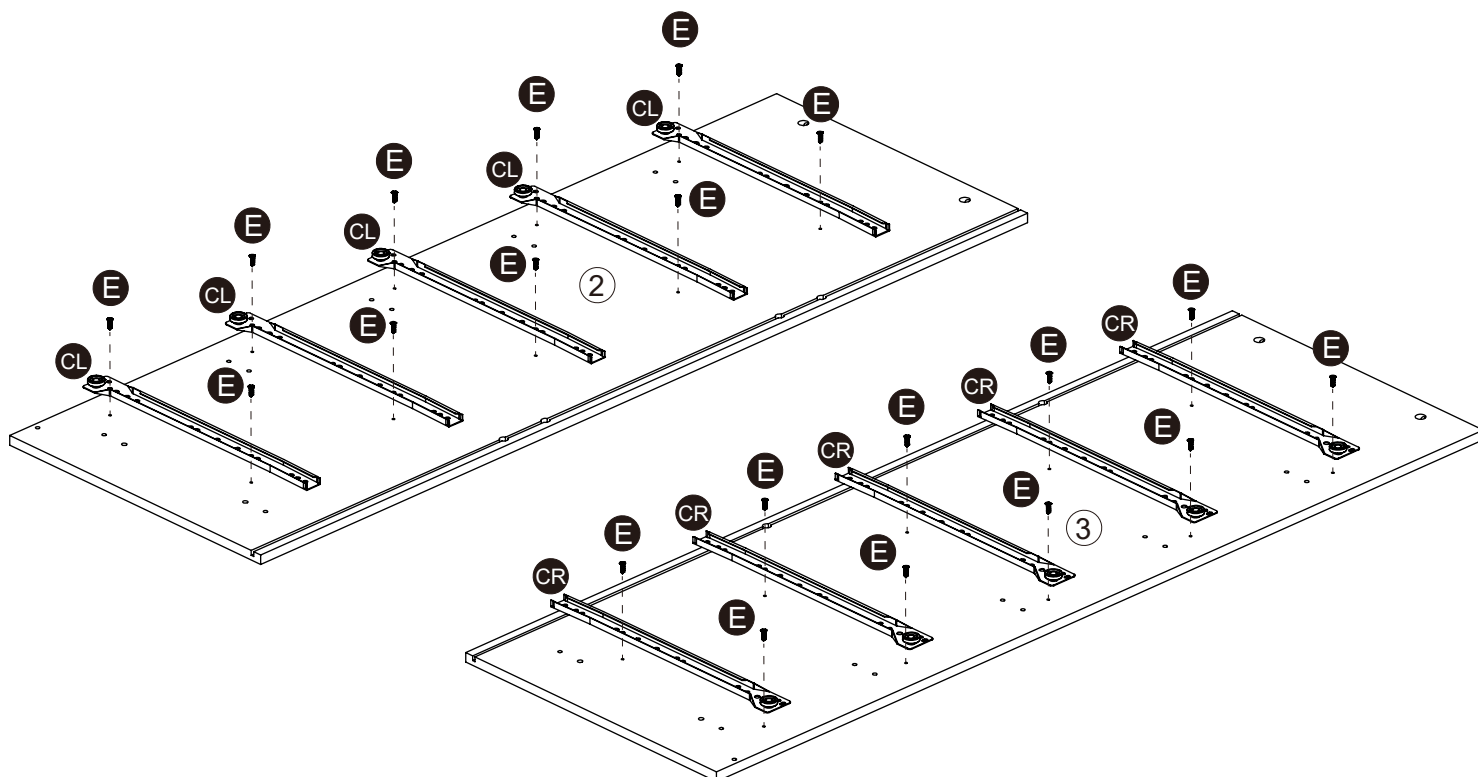
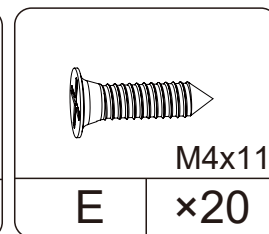
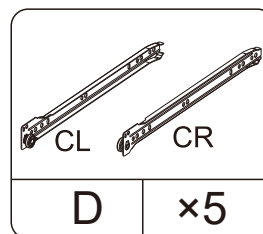


Screws



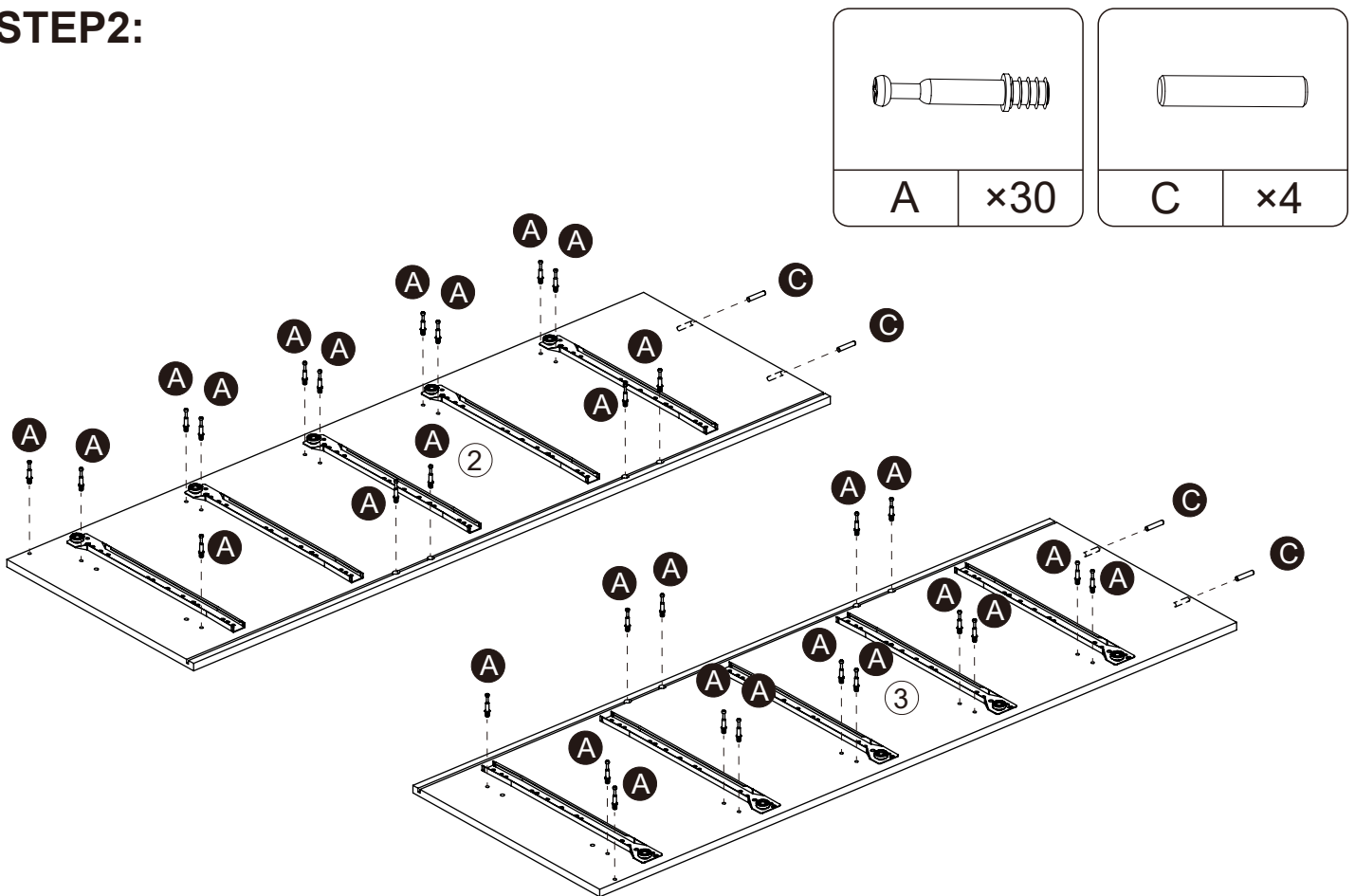
INSTALLATION STEPS

STEP 1:

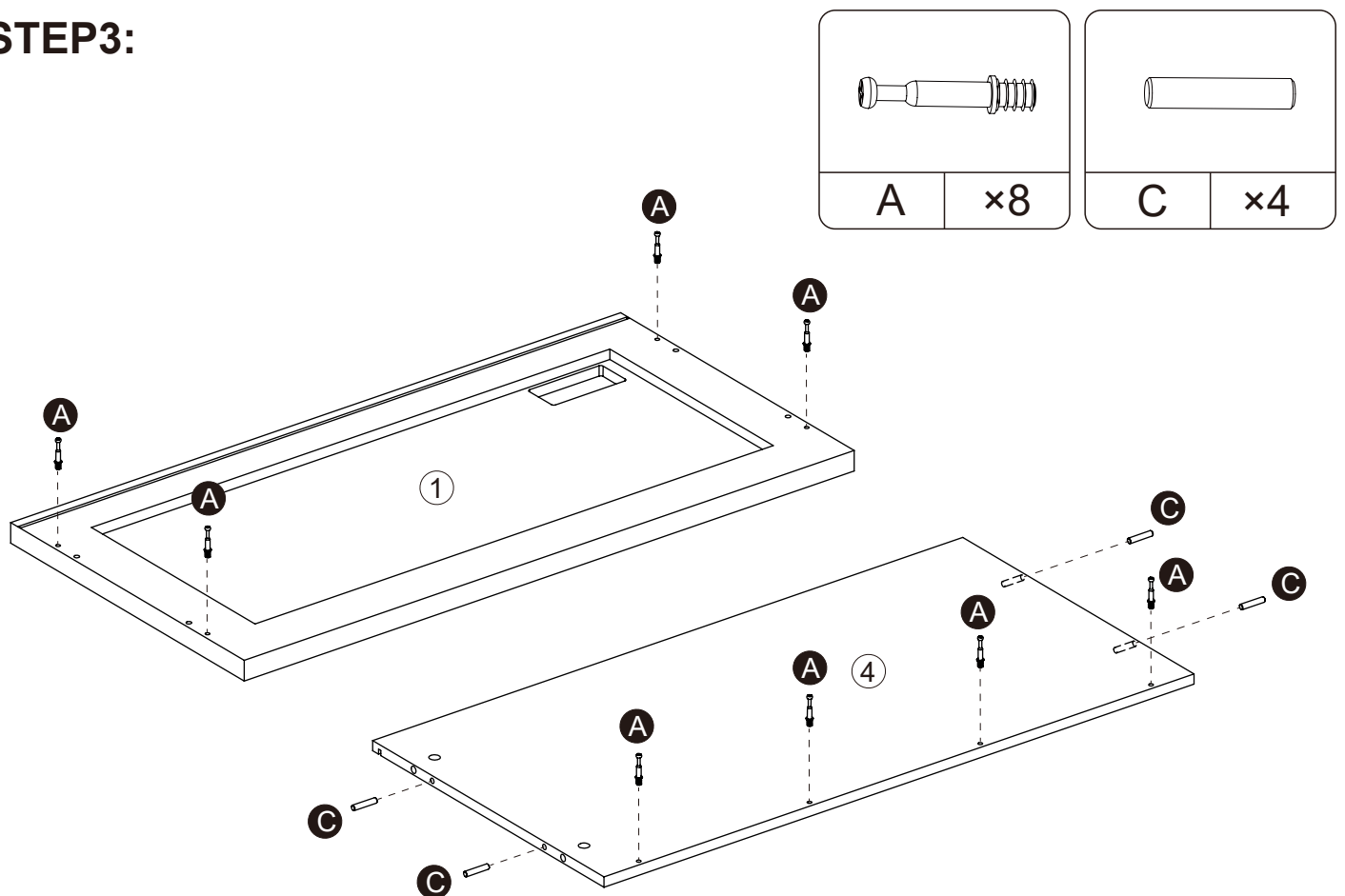


INSTALLATION STEPS

STEP2:

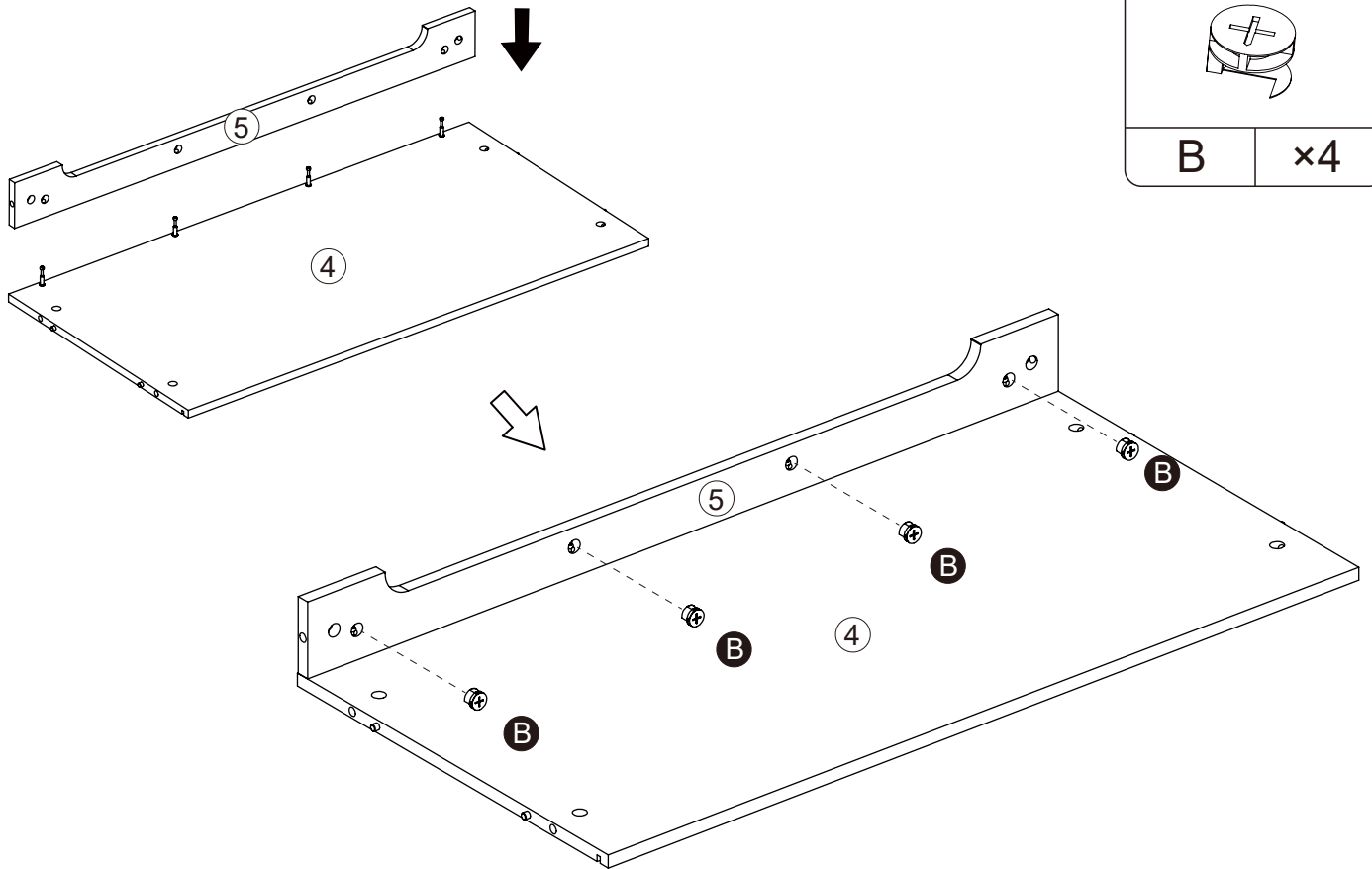


STEP3:

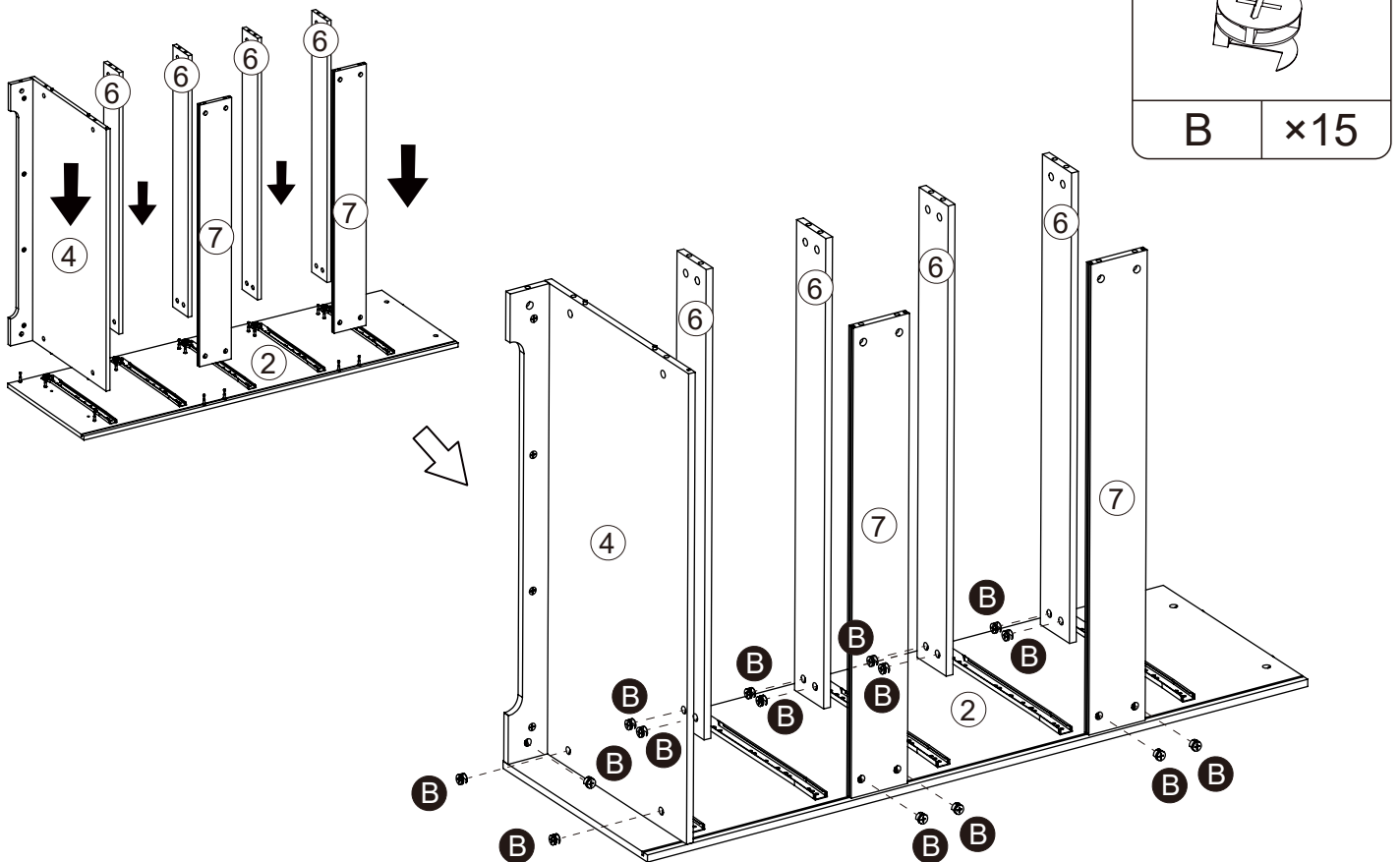


INSTALLATION STEPS

STEP4:

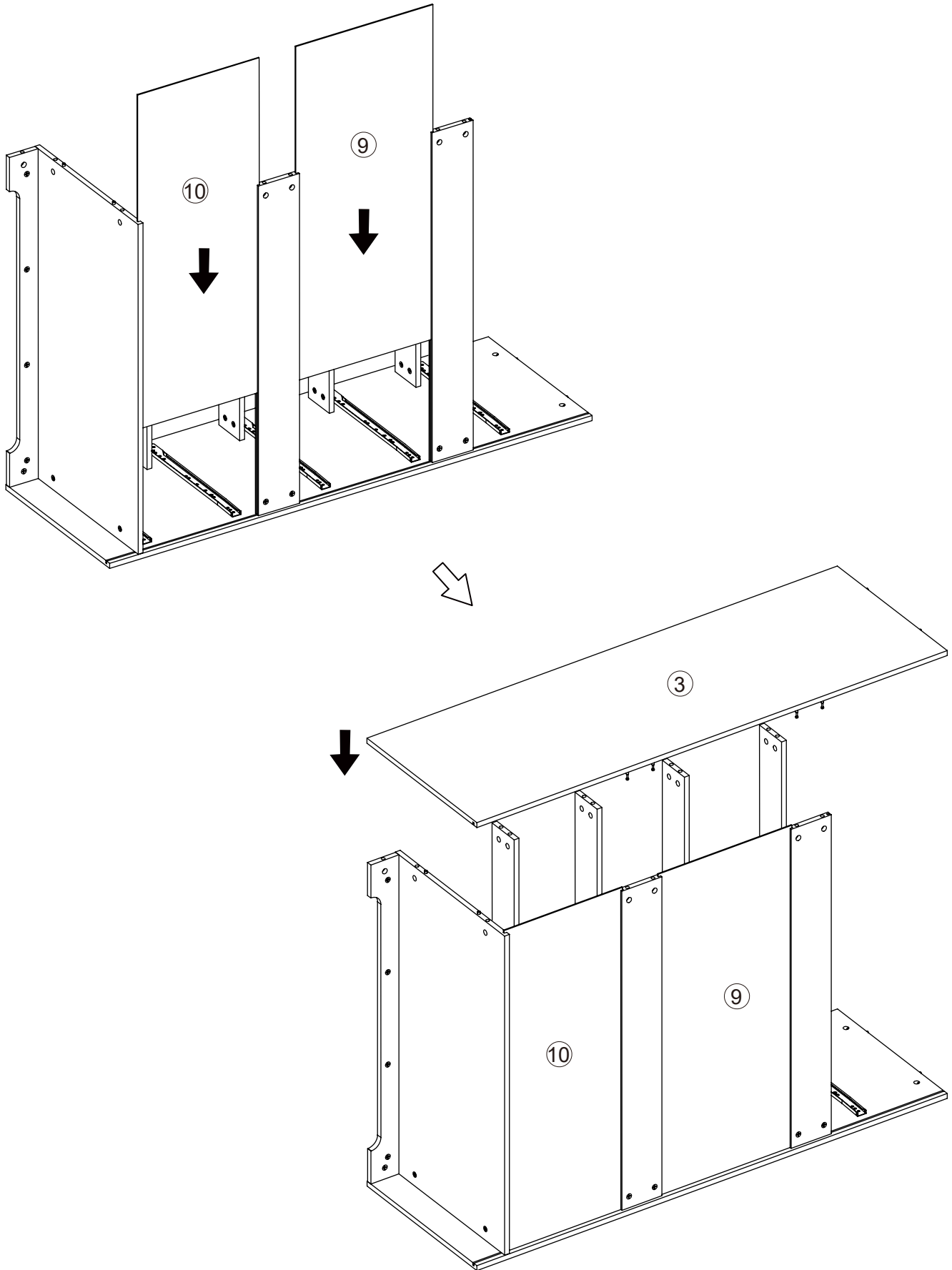


STEP5:



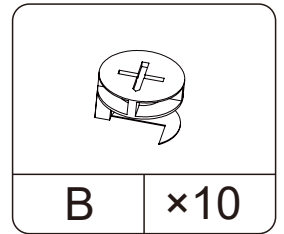
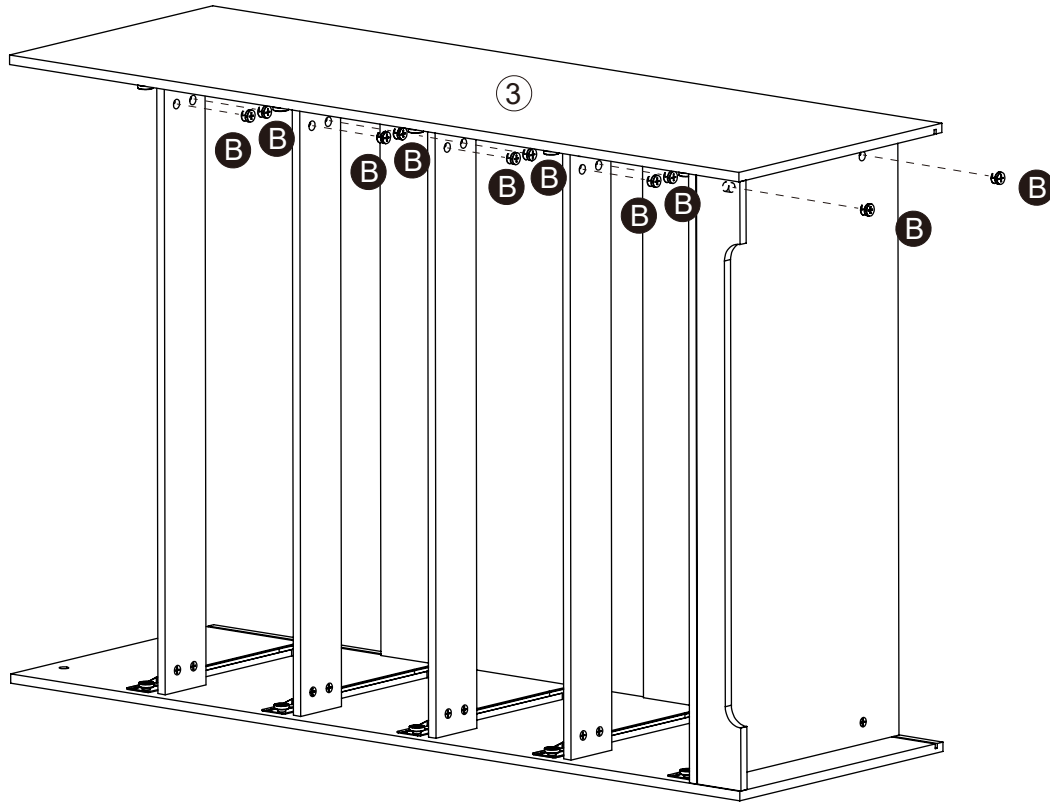
INSTALLATION STEPS

STEP 6:

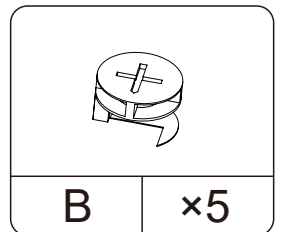
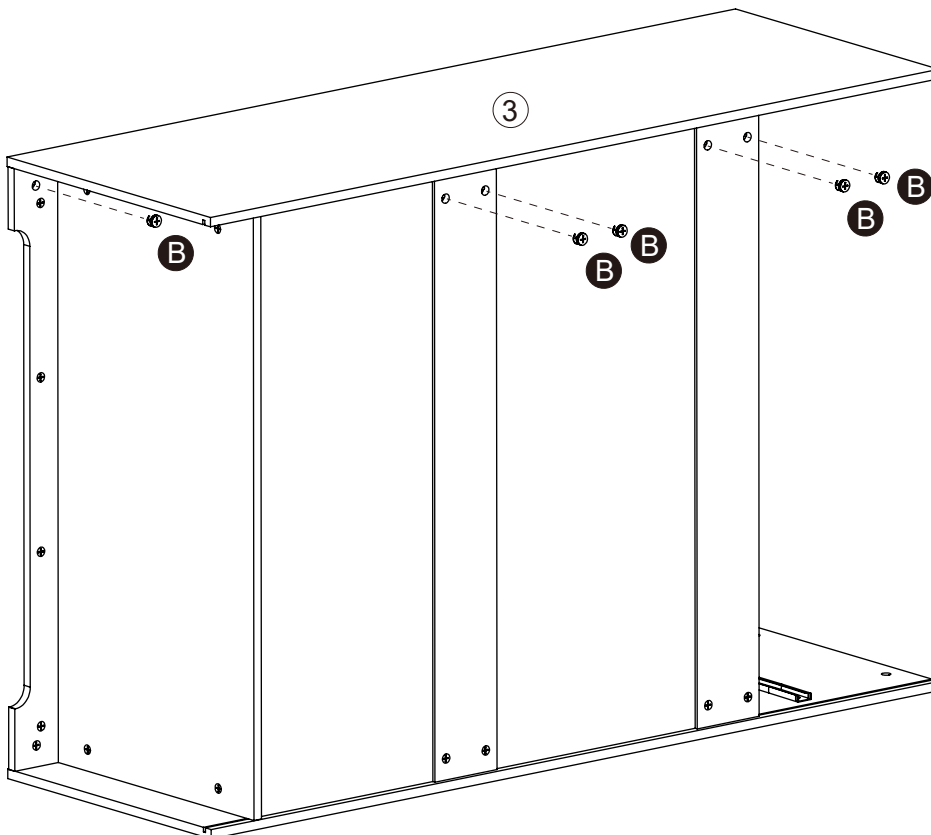


INSTALLATION STEPS

STEP7:

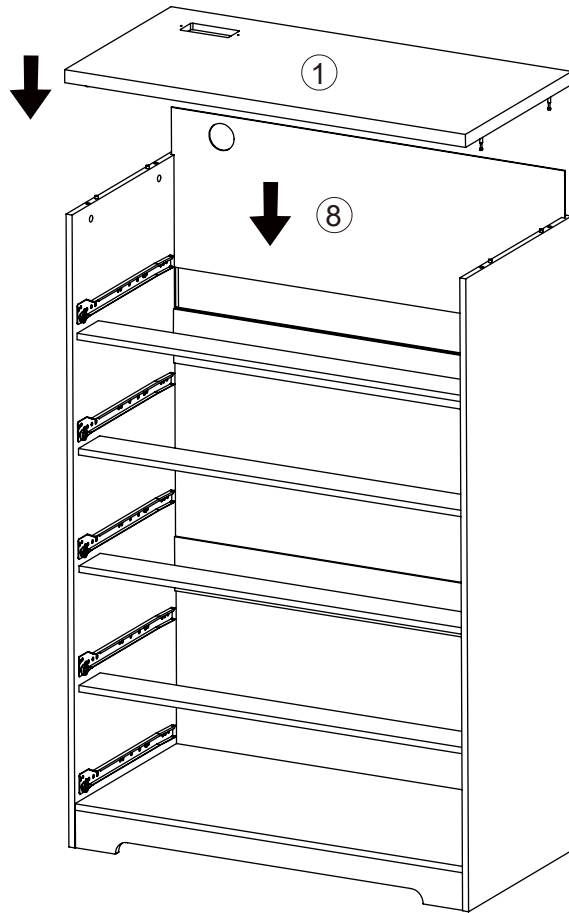


STEP8:

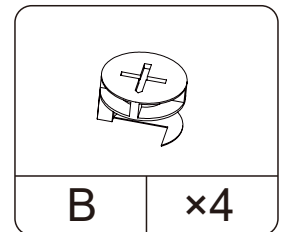
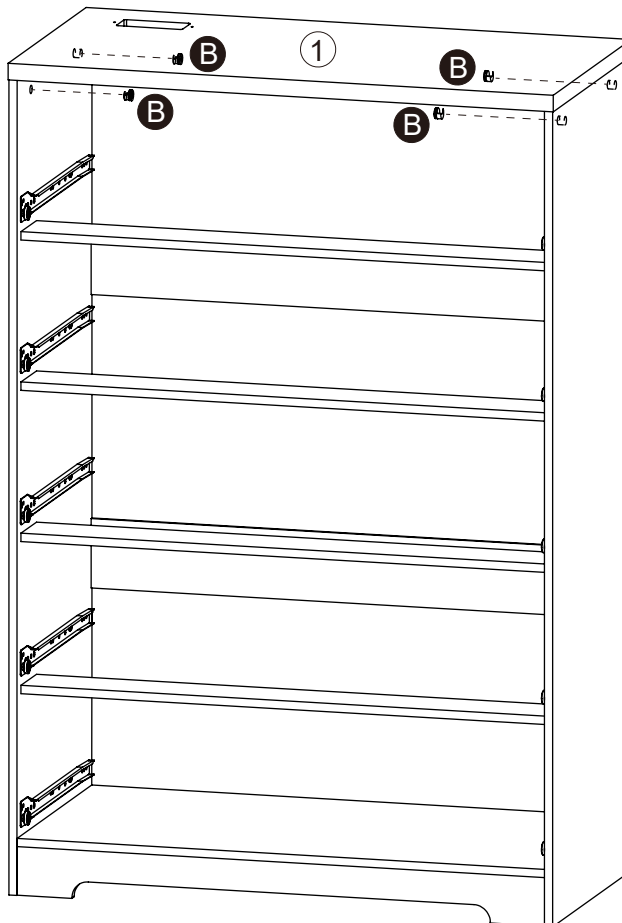


INSTALLATION STEPS

STEP9:



STEP10:

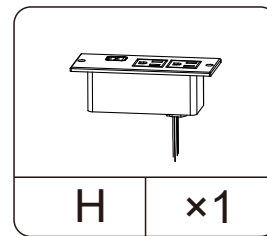
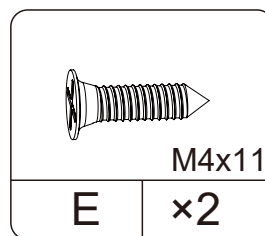
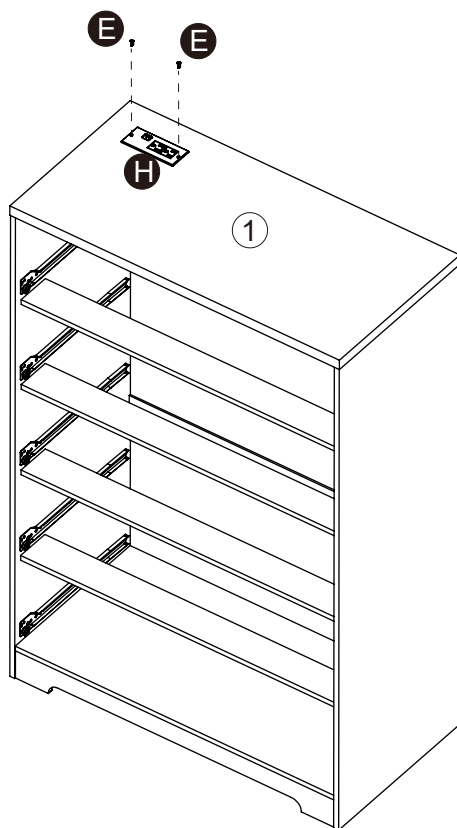


B x4

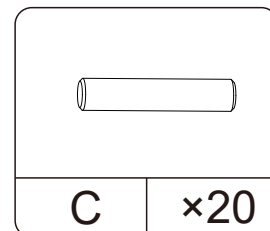
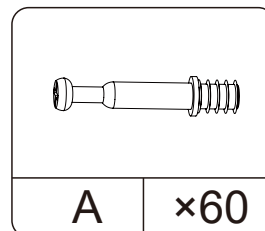
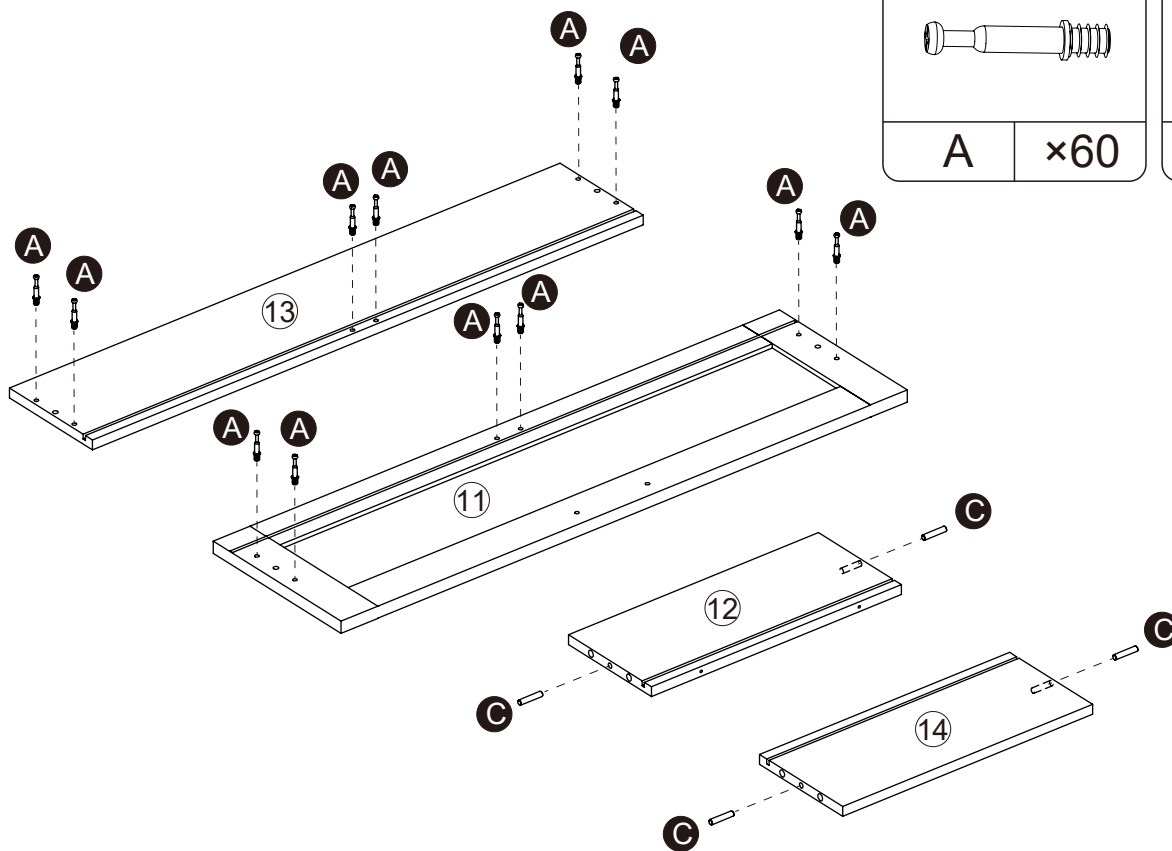
INSTALLATION STEPS

STEP11:

Place the **H** power outlets into the groove and secure it with **E** screws.



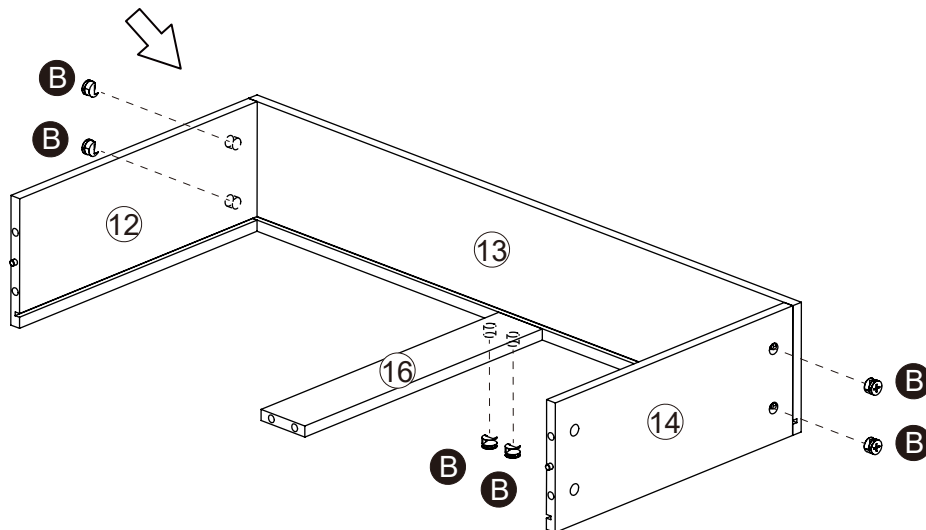
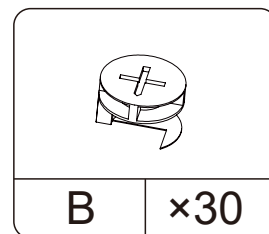
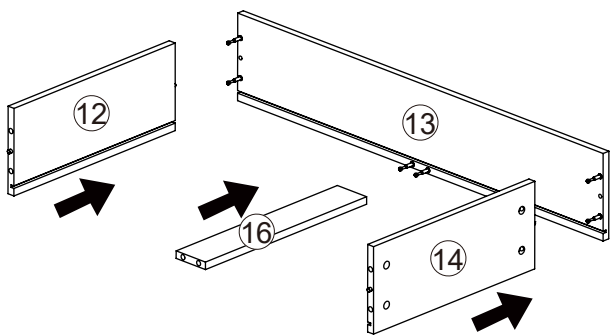
STEP12:



x5

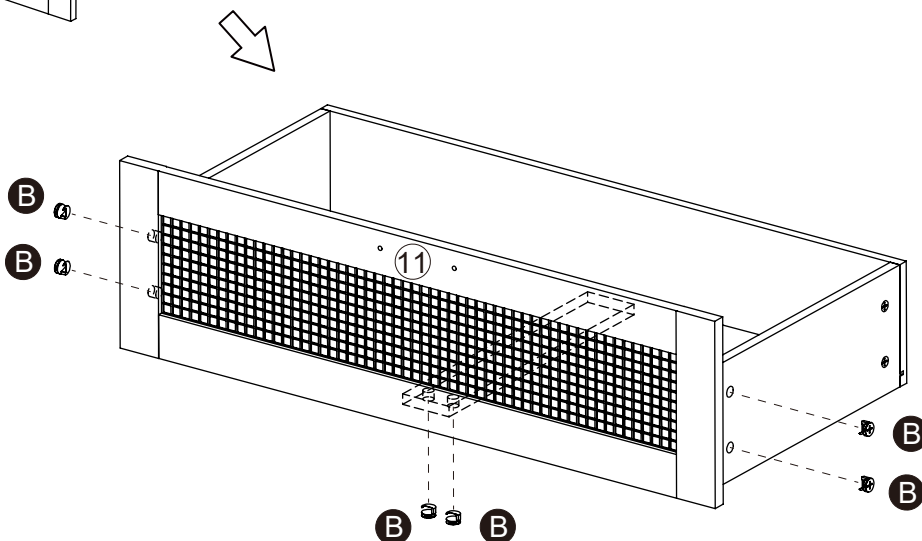
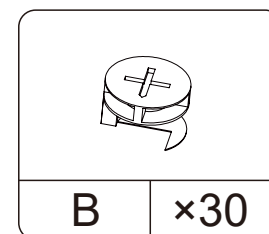
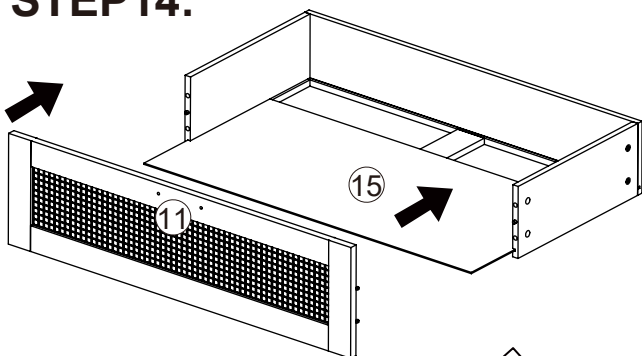
INSTALLATION STEPS

STEP13:



x5

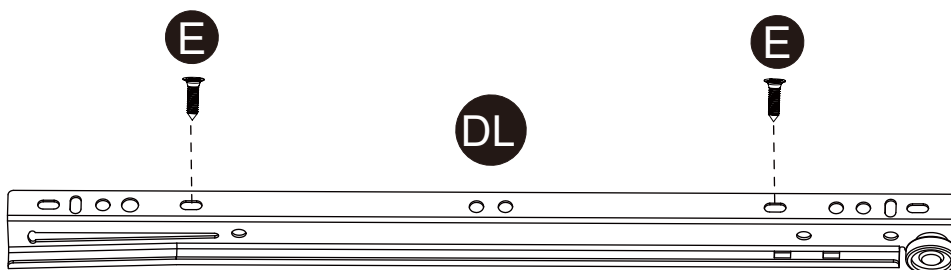
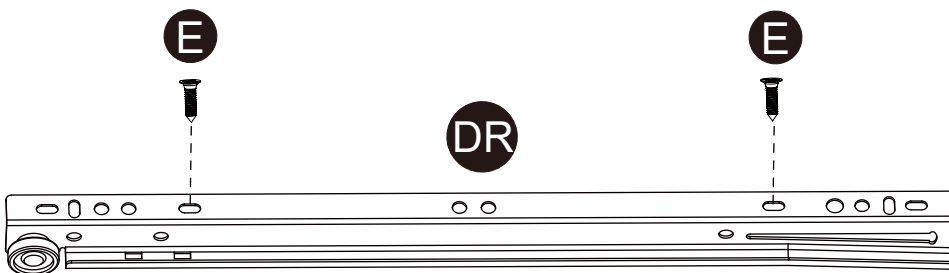
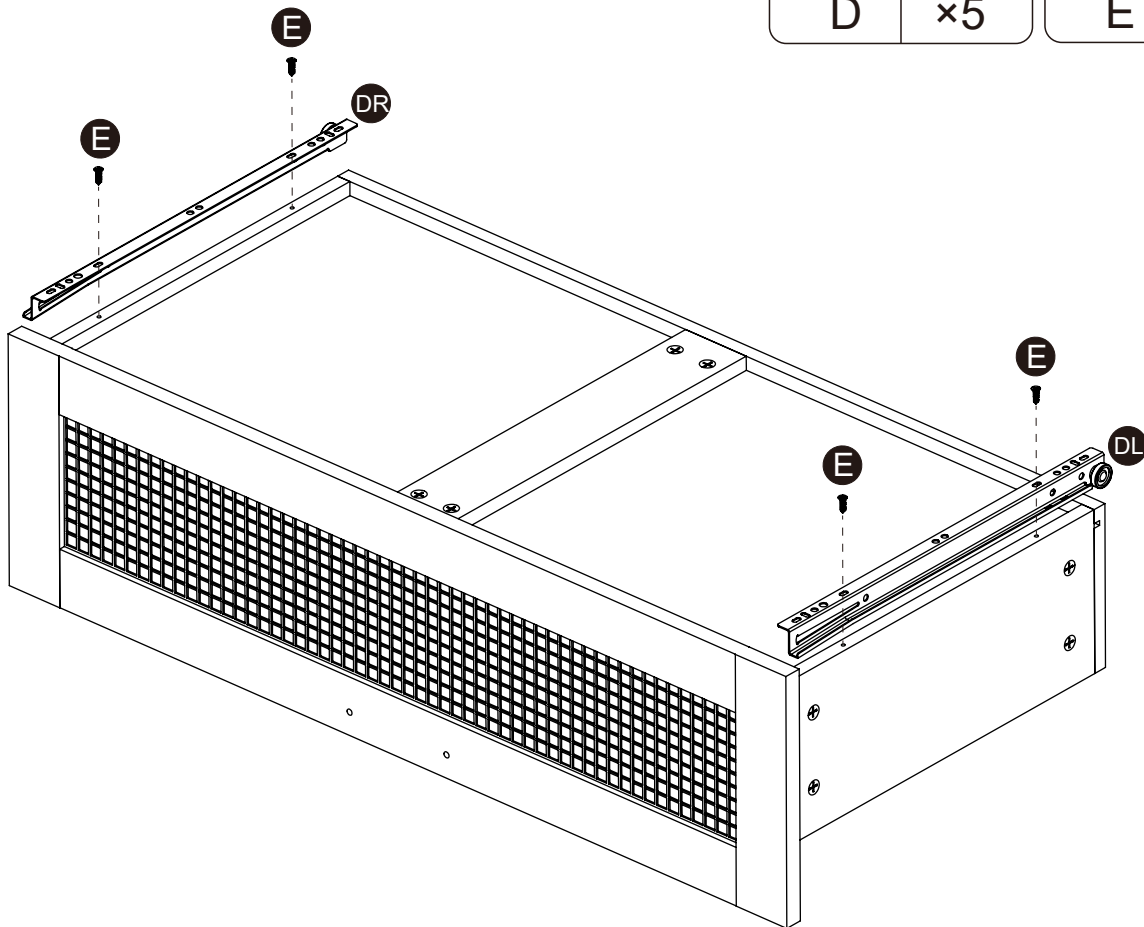
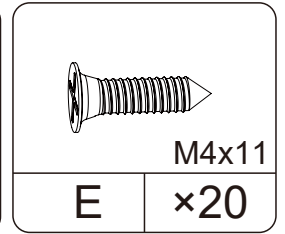
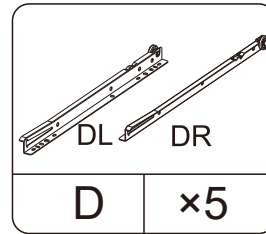
STEP14:



x5

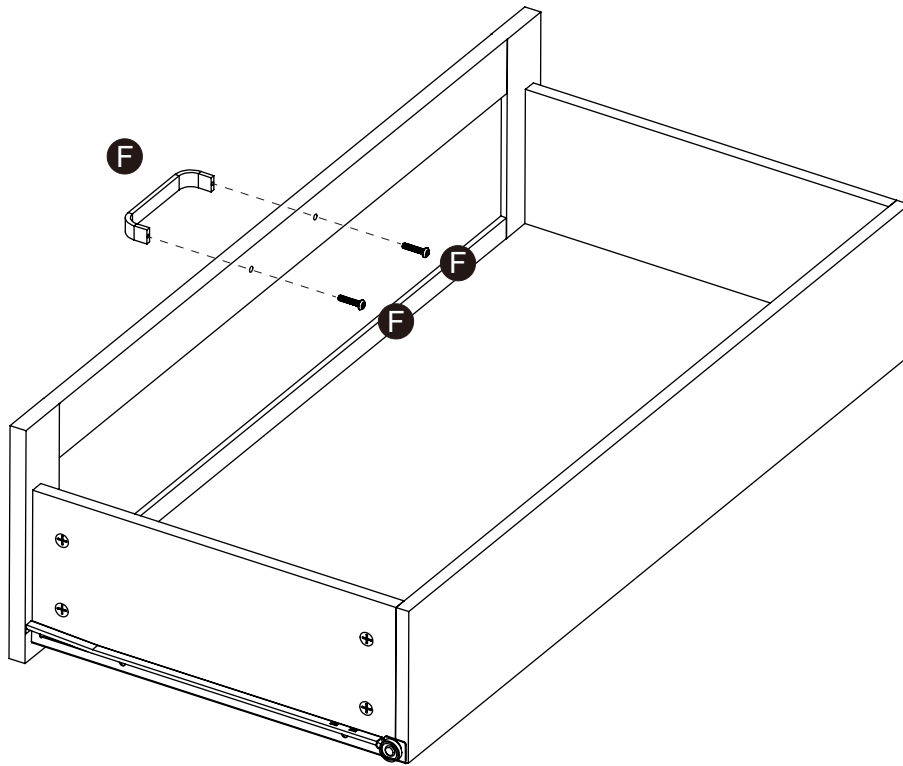
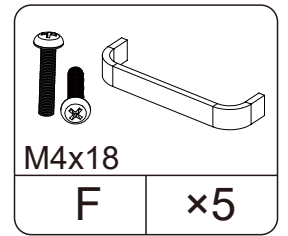
INSTALLATION STEPS

STEP 15:



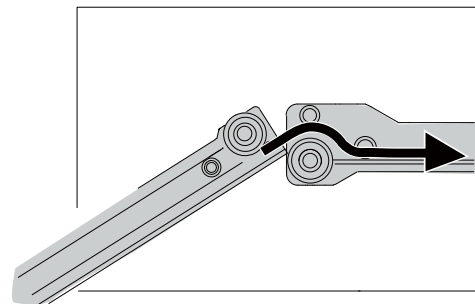
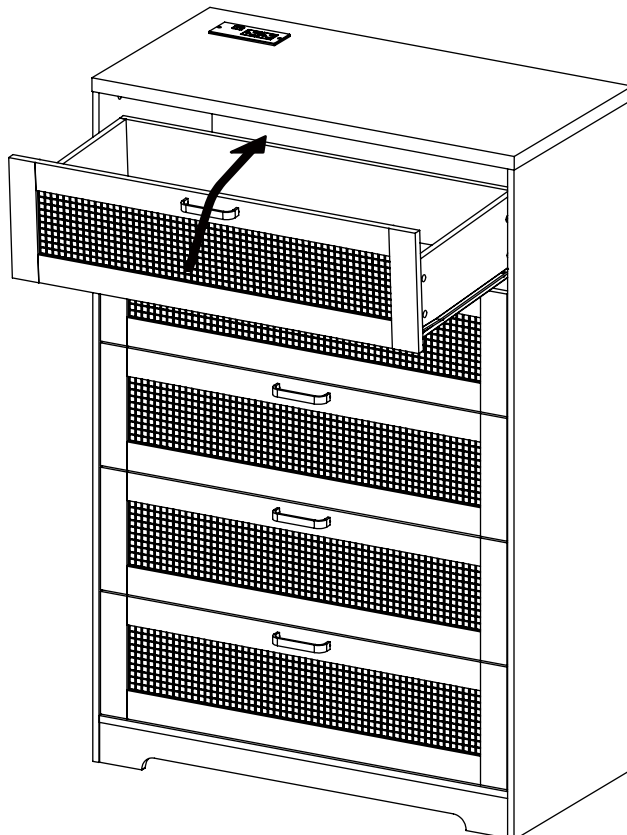
INSTALLATION STEPS

STEP16:



x5

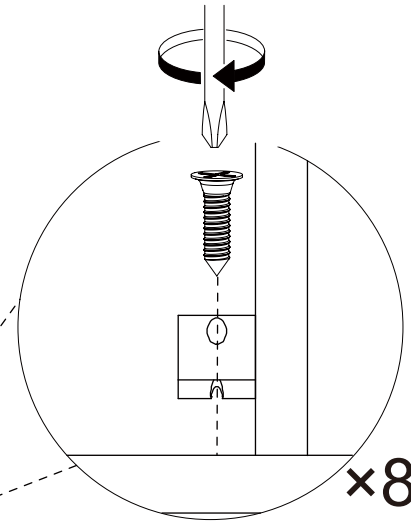
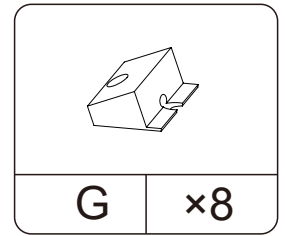
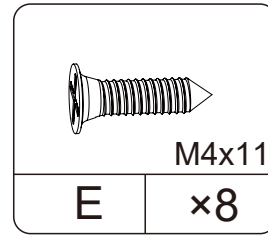
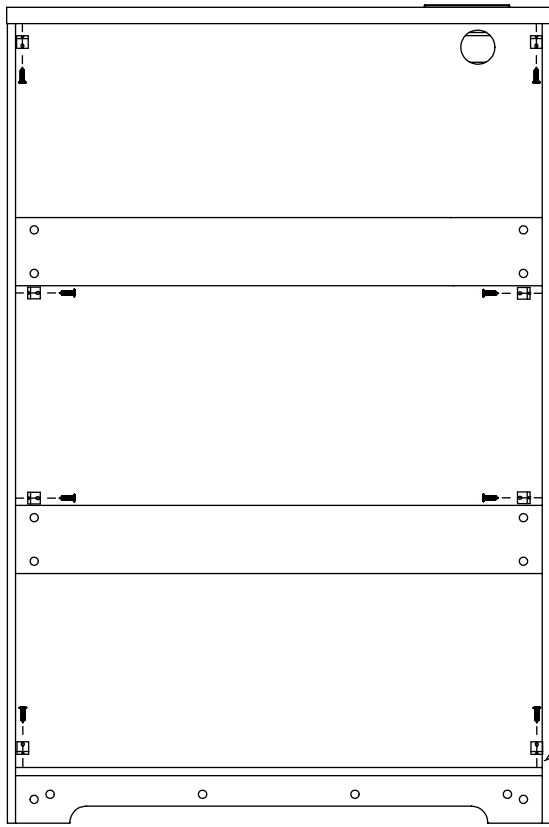
STEP17:



x5

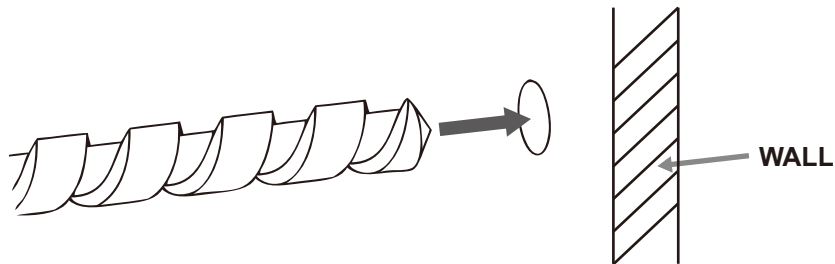
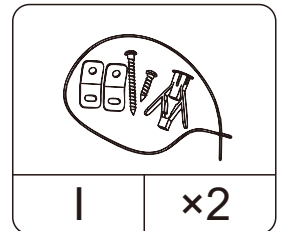
INSTALLATION STEPS

STEP18:

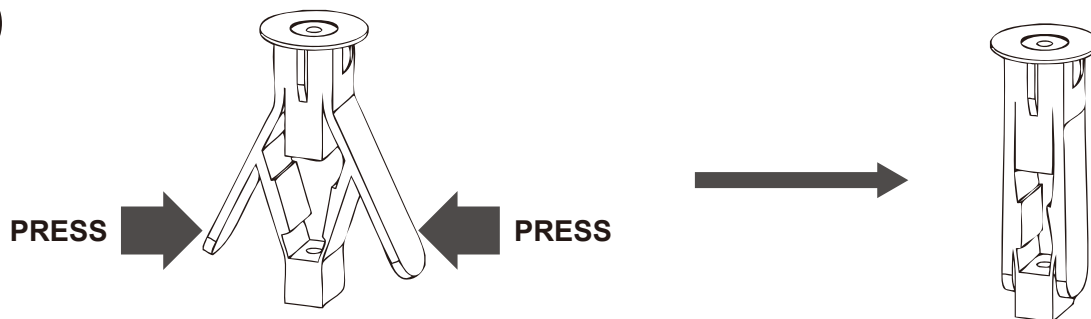


STEP19:

- ① Drill a hole in the solid wall (Wood wall or Concrete wall) :
using a 0.41~0.43 inches (10.5~11mm) drill bit.



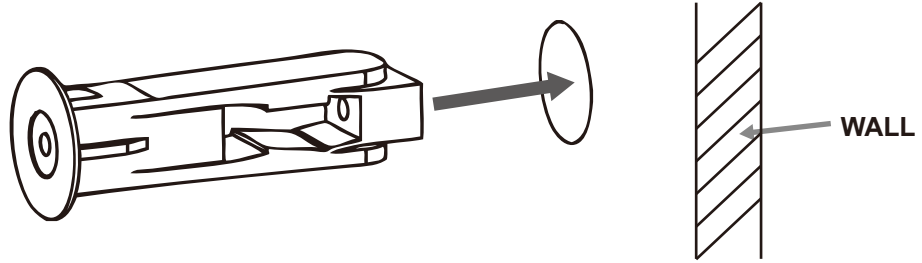
②



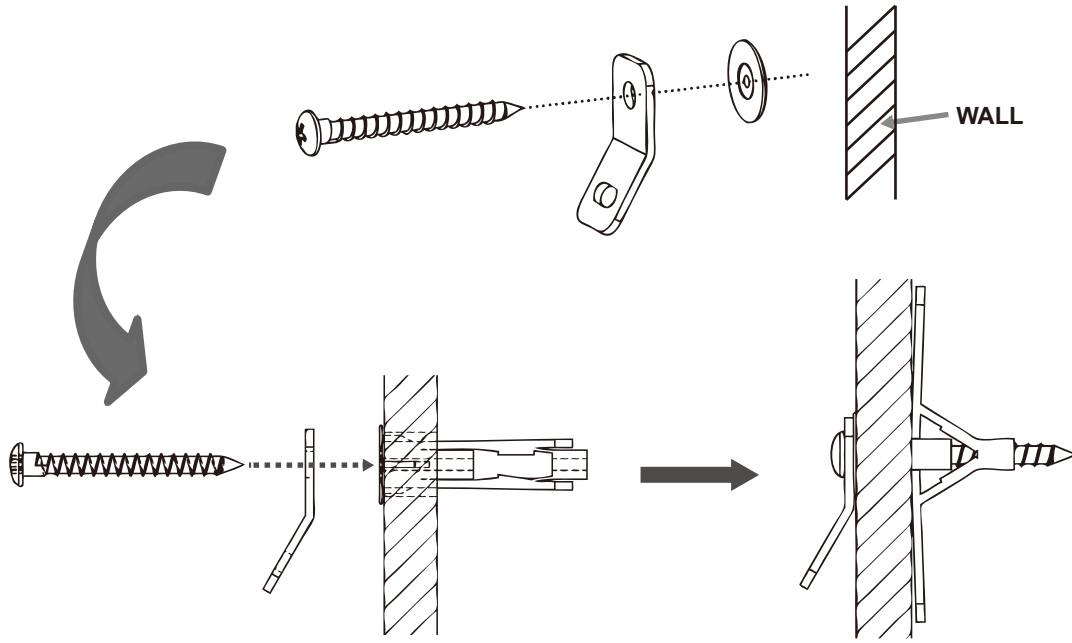
INSTALLATION STEPS

STEP 19:

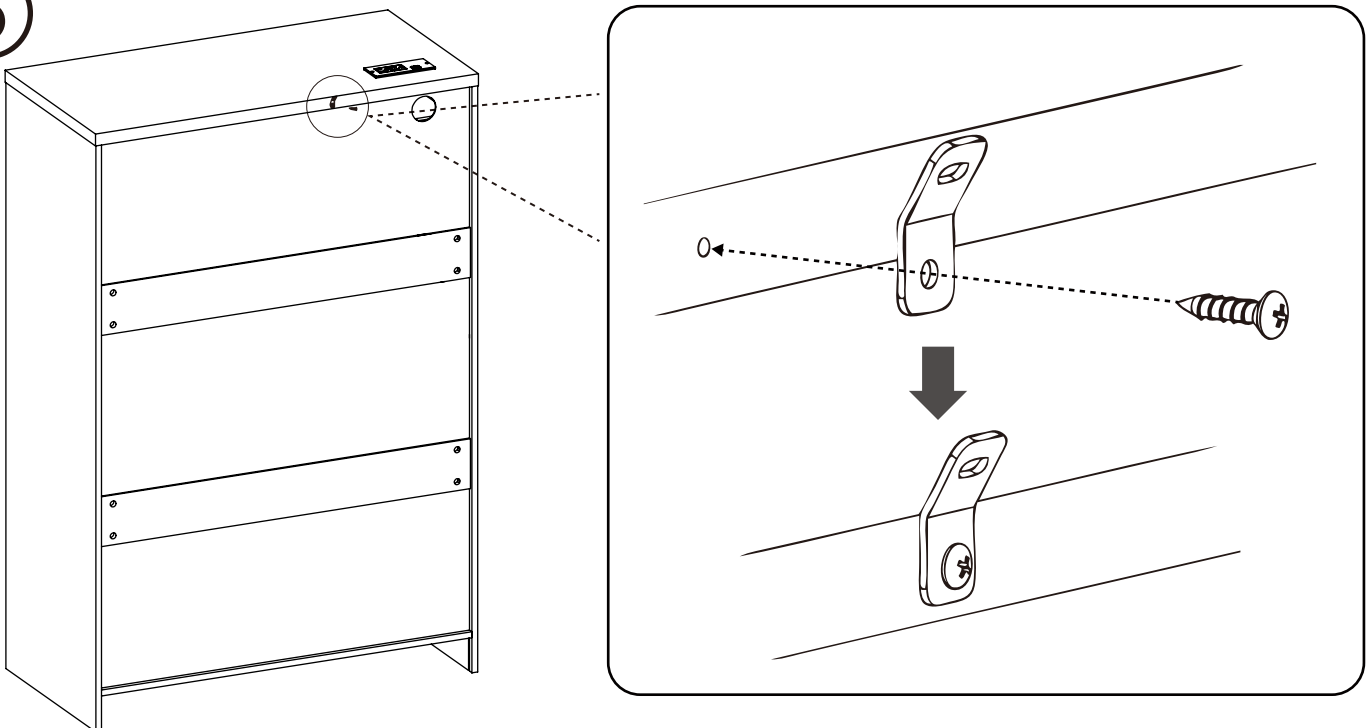
3



4



5



INSTALLATION STEPS

STEP19:

⑥

