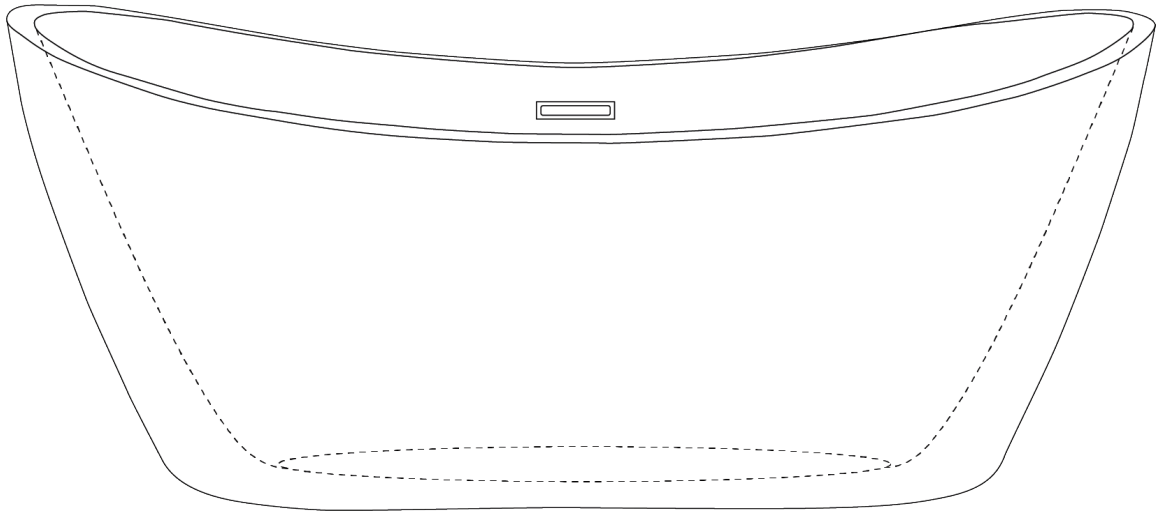
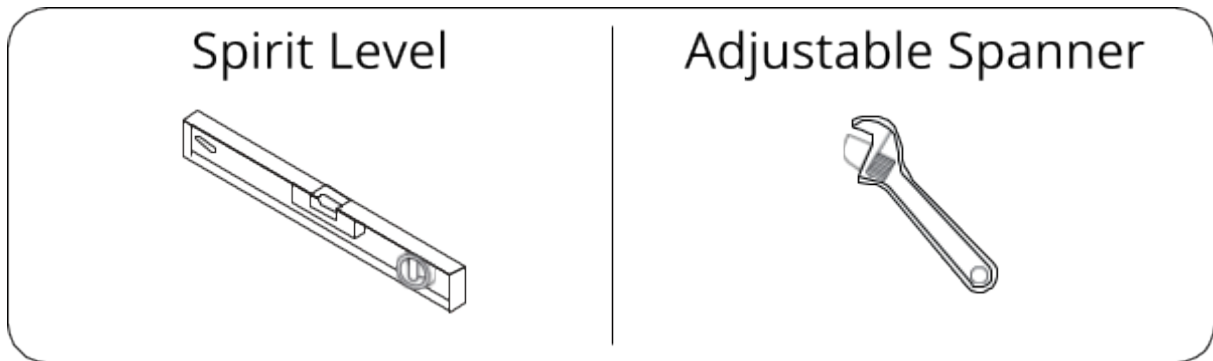


Bathtub Mounting Guide

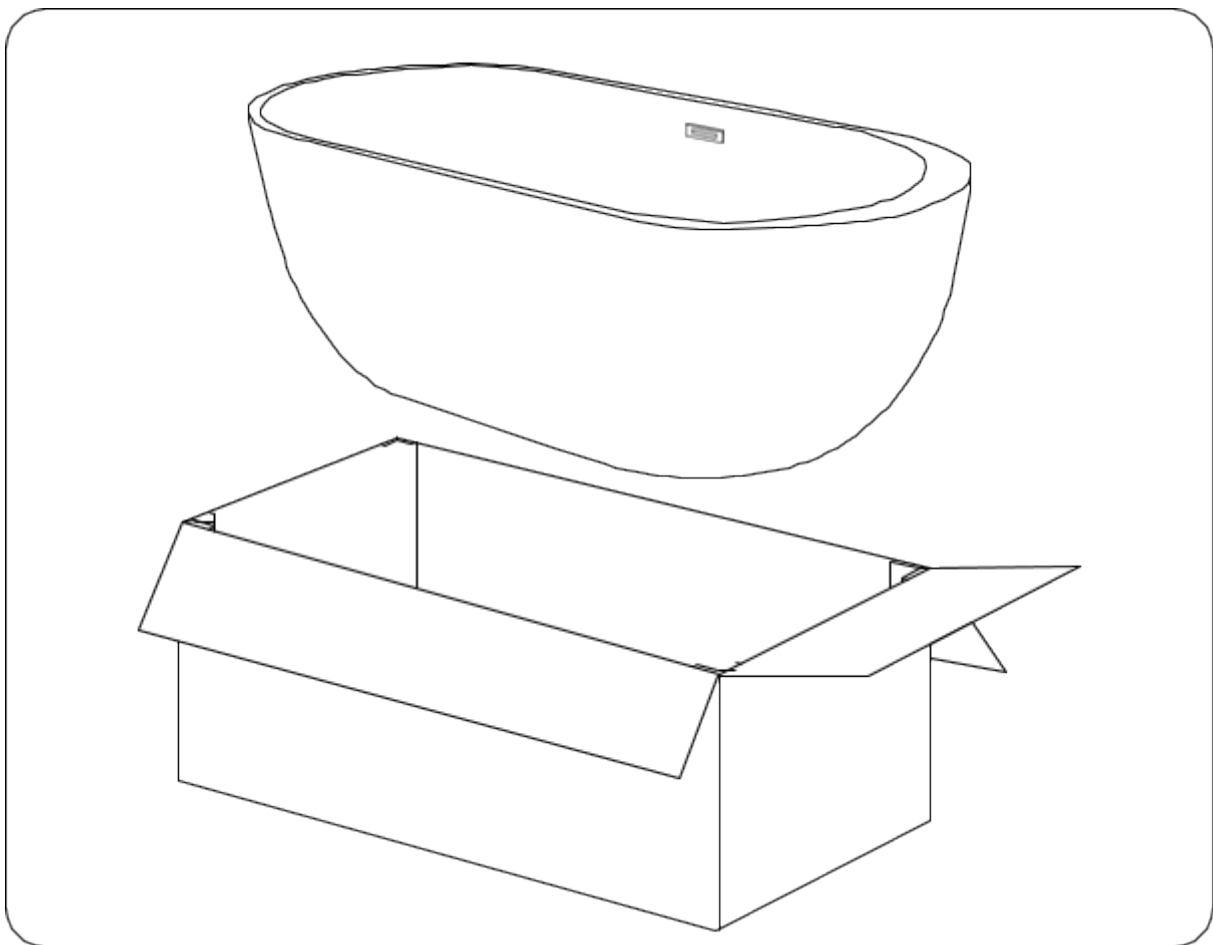


Freestanding bathtub installation instructions

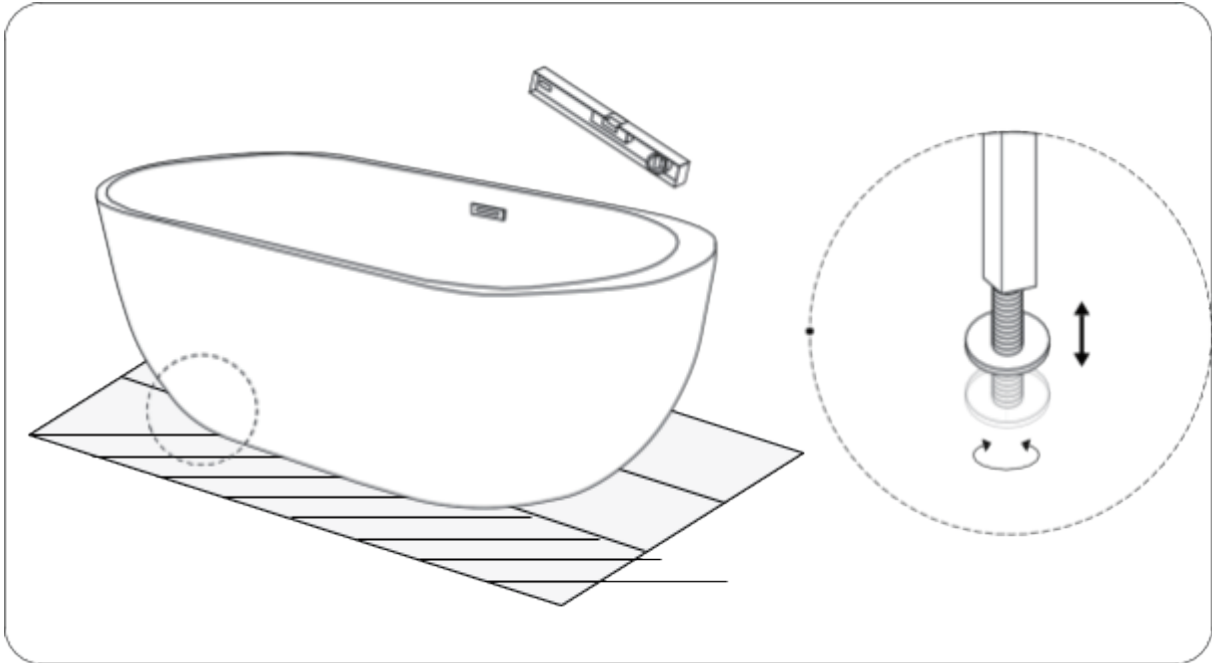
Thank you for choosing our acrylic bathtub. Before installation, you should have:



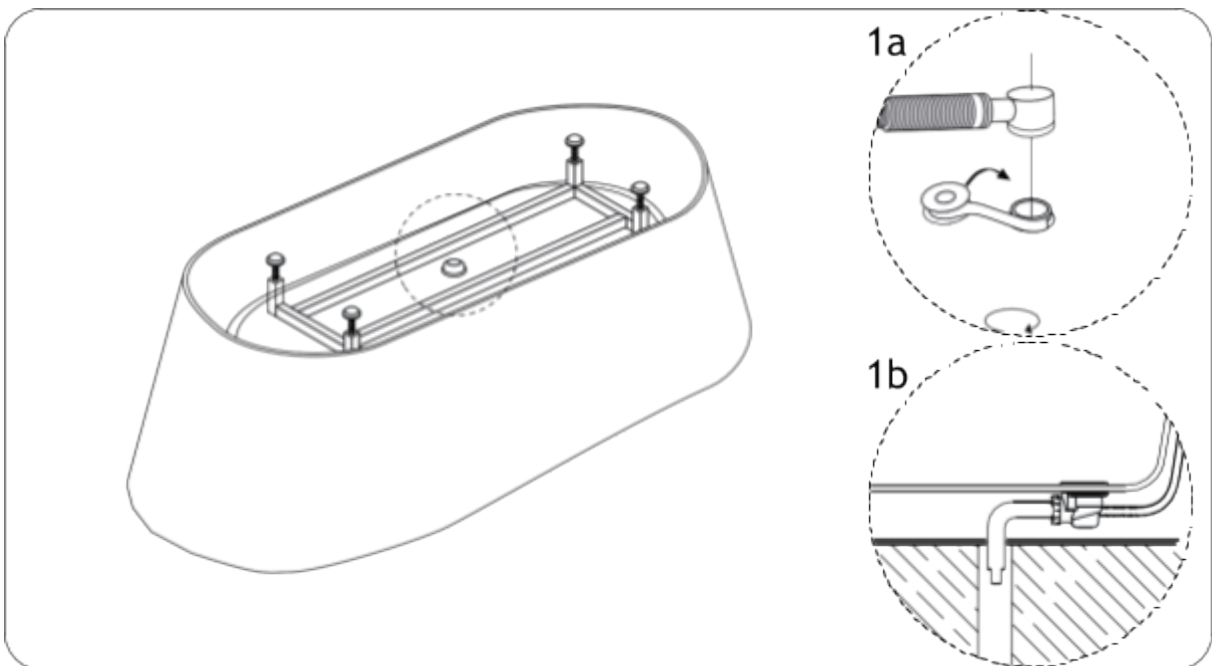
1. To start with the installation process, please take the bathtub out from the box and put it onto the cardboard box, which should be placed on a carpet or another soft surface on the floor. Please make sure that the bathtub is not touching the ground or any other objects that could damage it.



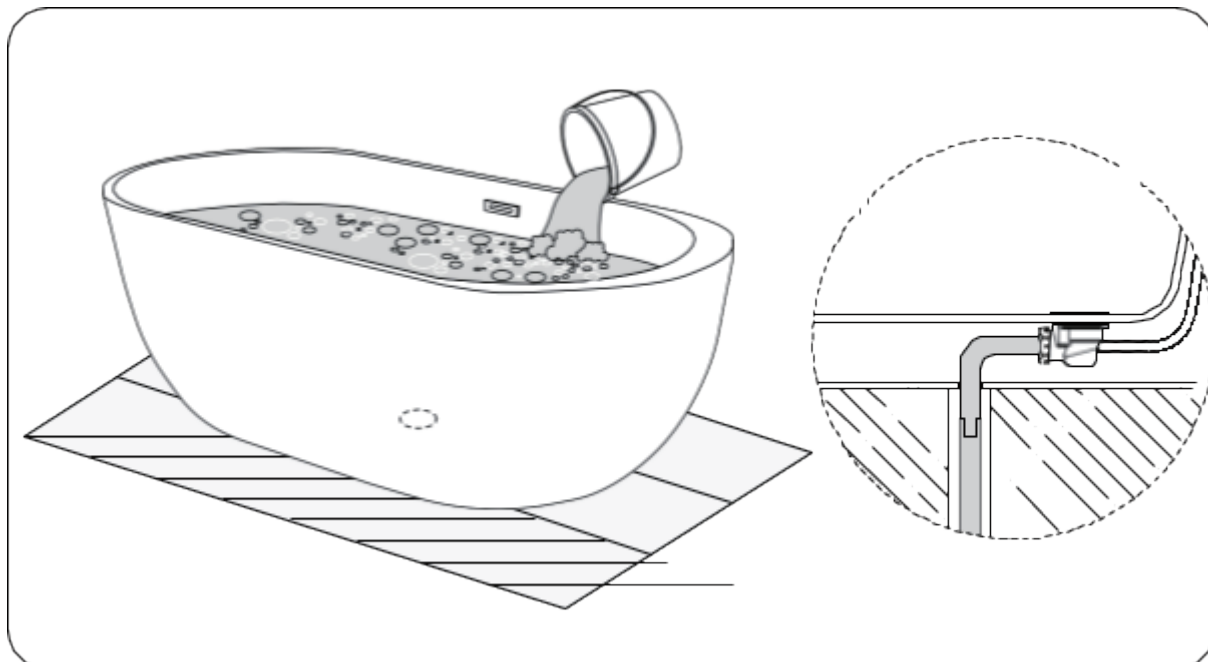
2. Make sure the floor that you want to install the bathtub on is flat. Adjust the height of the bathtub's legs to ensure stability. If not done correctly, the water might not drain properly, damaging the piece.



3. Connect the bathtub to the waste outlet.



4. After the installation, please test the bathtub by filling it with water. If it drains properly and completely, the bathtub has been installed correctly and is ready to be used.



Maintenance:

1. To keep the bathtub away to touch any painting, enamel, organic impregnant, the lighting smoke stump etc.
2. Only wash it with the soap water instead of any steam and grinding tings.
3. To keep it dry and clean. We suggest you fill up it with some cold water or slight warm water firstly.