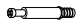



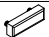





ASSEMBLY INSTRUCTIONS

ITEM NO.: 95002
Pet Bed With Cushion

Thank you for purchasing this quality product. Place all wooden parts on a clean and smooth surface such as a rug or carpet to avoid the parts from being scratched. Be sure to check all packing materials carefully for small parts may have come loose inside the carton during shipment, clarify and count all parts and compare with the parts list below. Do not tighten all screws / bolts until all completely assembled.

Parts List		
No.	Description	Q.ty
A	LEFT SIDE PANEL	1 PC
B	RIGHT SIDE PANEL	1 PC
C	UPRIGHT PANEL	1 PC
D	TOP PANEL	1 PC
E	BACK PANEL	1 PC
F	BOTTOM PANEL	3 PCS
G	LEG PANEL	1 PC
H	DRAWER FRONT PANEL	1 PC
J	DRAWER LEFT PANEL	1 PC
K	DRAWER RIGHT PANEL	1 PC
L	DRAWER BACK PANEL	1 PC
M	DRAWER BOTTOM PANEL	1 PC

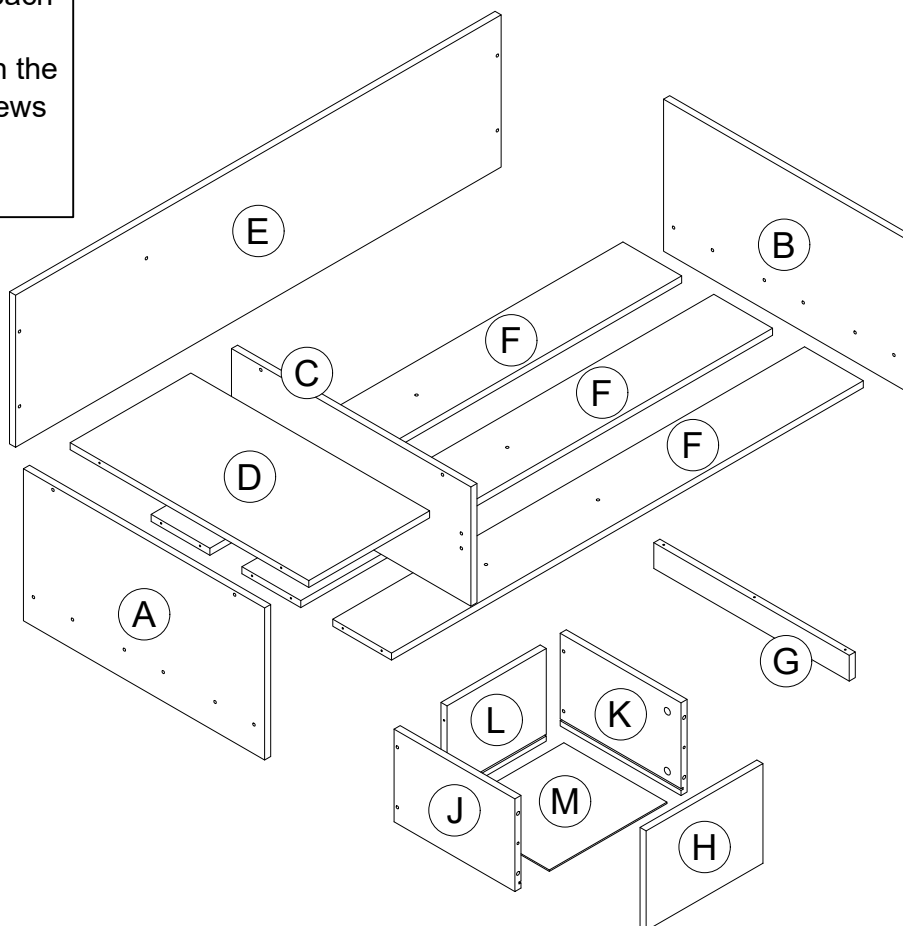
Hardware List				
No.	Description	Sketch	Size	Q.ty
1	CAM SCREW		M7.5 x 42MM	4 PCS
2	HIDDEN CAM		M15 x 12MM	4 PCS
3	C/B SCREW		M4.5 x 45MM	31 PCS
4	PE DOWEL		M5 x 30MM	2 PCS
5	STOPPER		45MM x 14MM x 10MM	2 PCS
6	NAIL LEG		15MM	8 PCS
7	STICKER		20MM	21 PCS
8	CUSHION		845MM x 555MM x 80MM	1 PC

NOTE: YOU WILL ALSO NEED A SCREWDRIVER (NOT PROVIDED)

These parts are cumbersome and heavy. Therefore, two people are recommended in order to prevent personal injury and insure the parts are not damaged during the assembly.

Important Notes

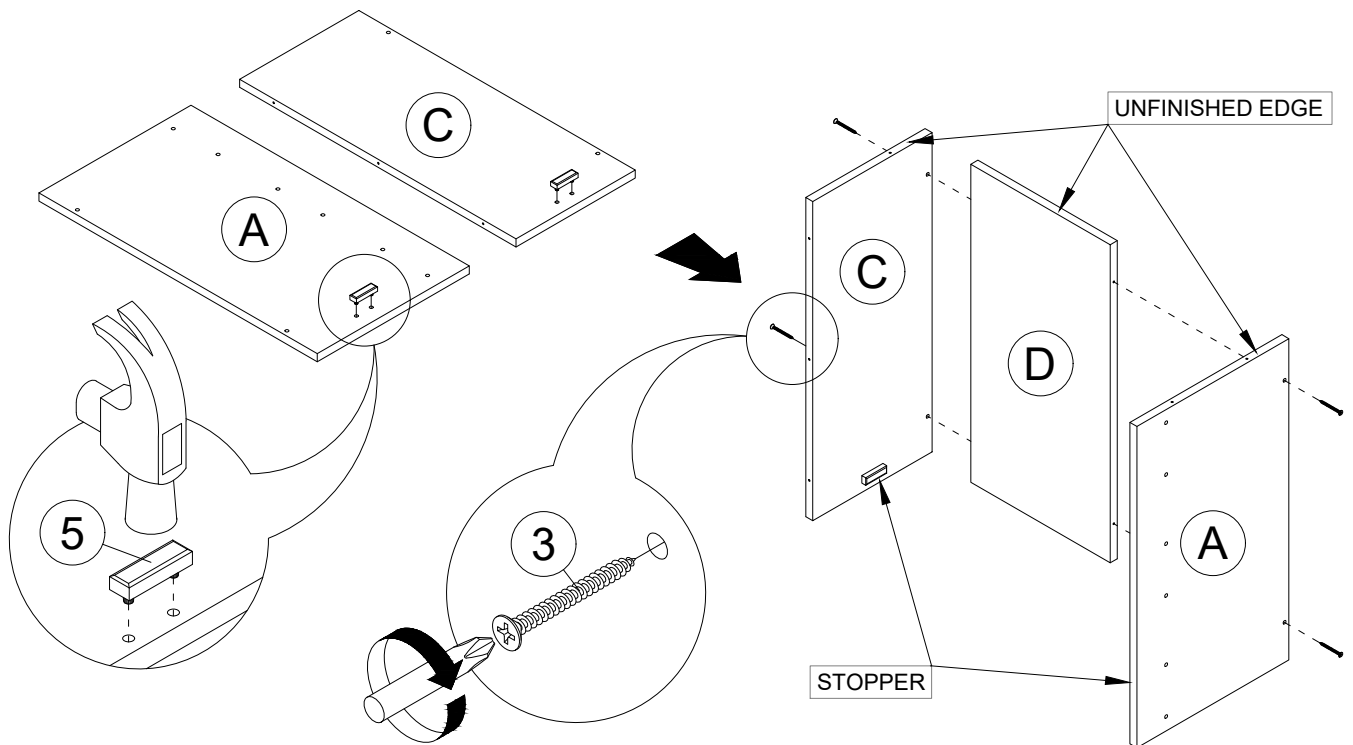
- Keep all hardware parts out of reach of children!
- Tighten screws periodically! With the use of this product bolts and screws may become loose over time!
- Don't attempt to modify parts!



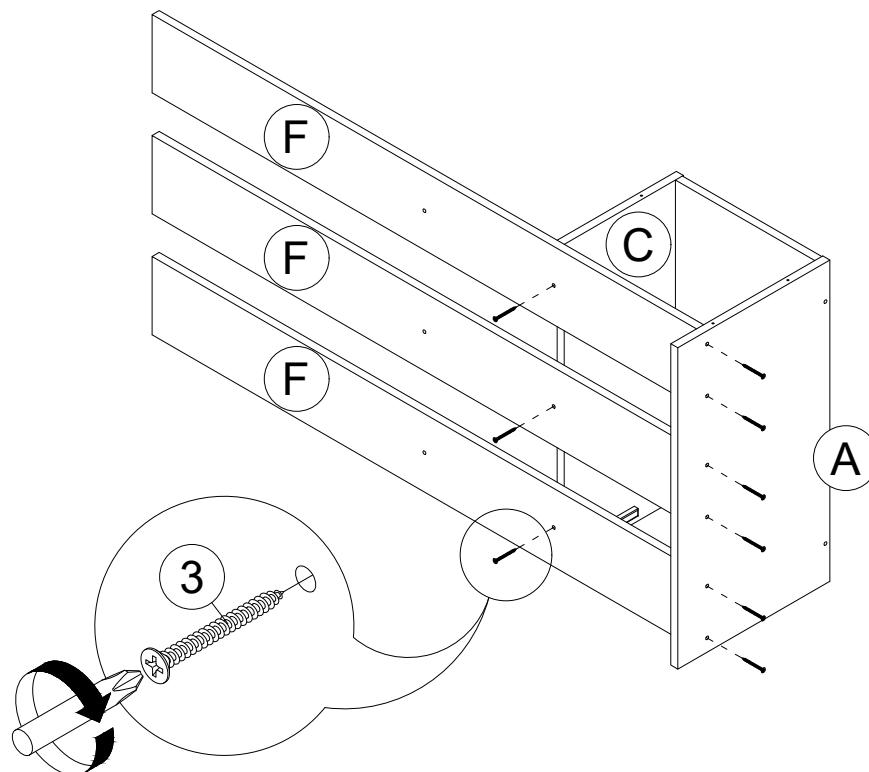
ASSEMBLY INSTRUCTIONS

ITEM NO.: 95002
Pet Bed With Cushion

STEP 1



STEP 2



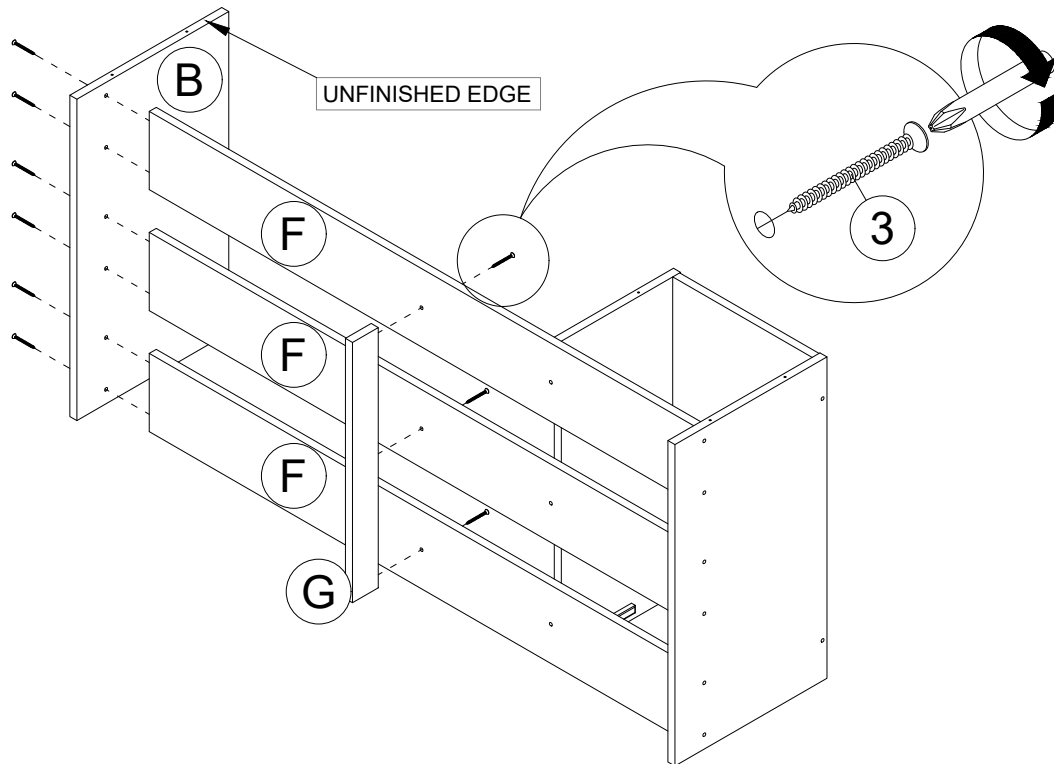
Cleaning instruction: Clean using soft cloth

Made in Malaysia

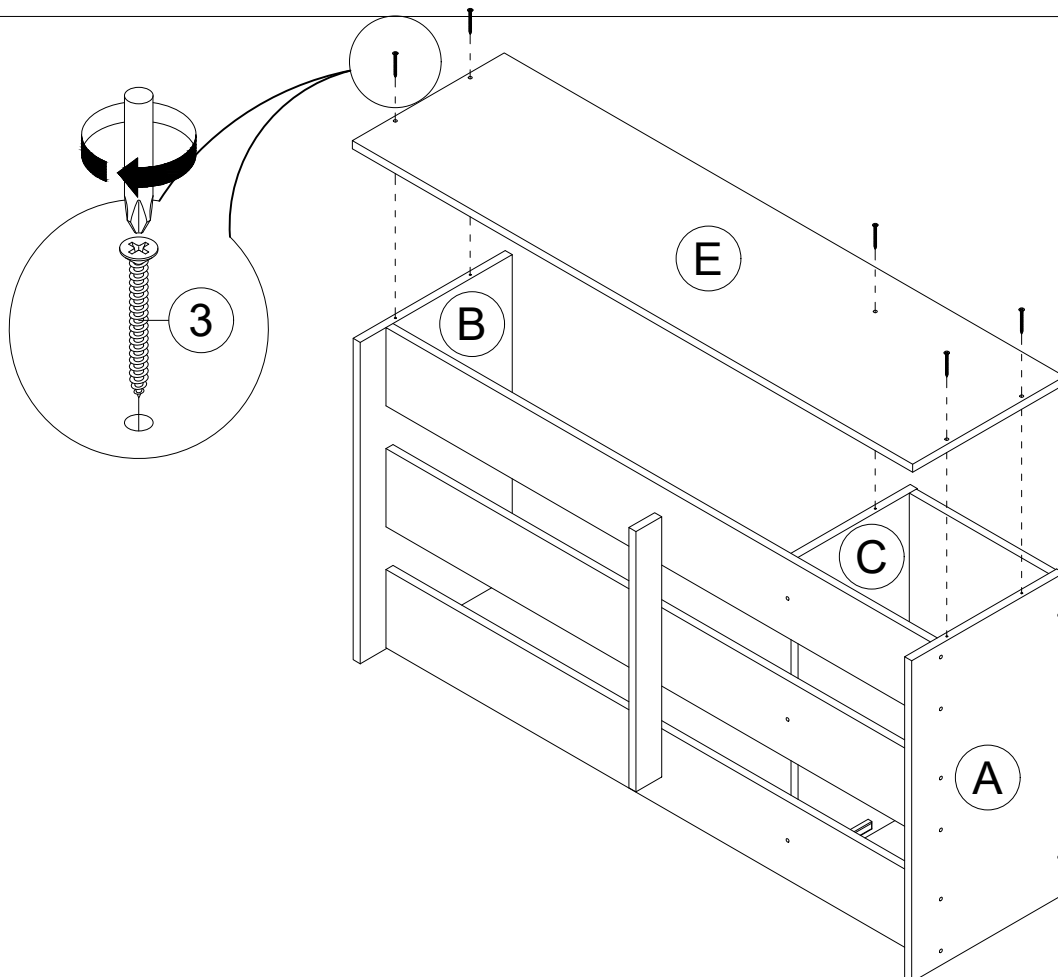
ASSEMBLY INSTRUCTIONS

ITEM NO.: 95002
Pet Bed With Cushion

STEP 3



STEP 4



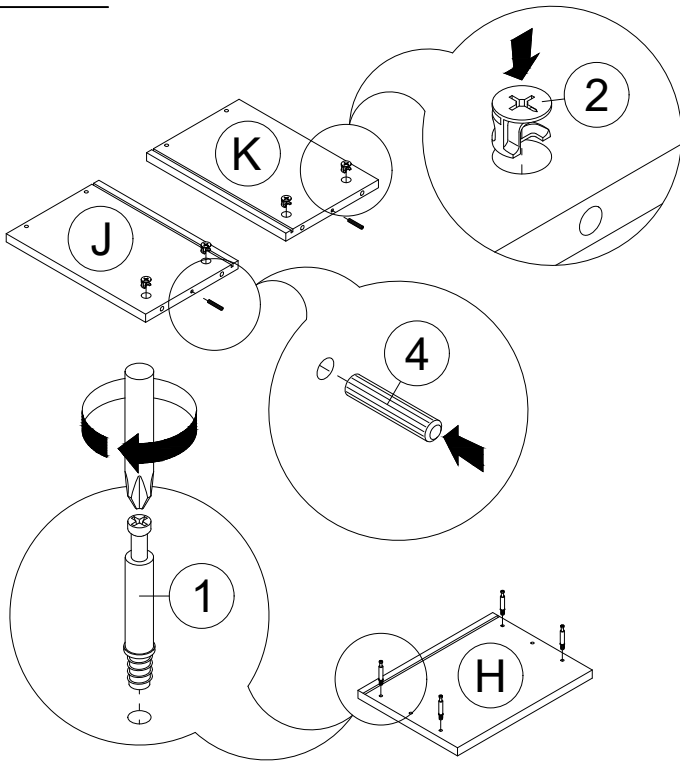
Cleaning instruction: Clean using soft cloth

Made in Malaysia

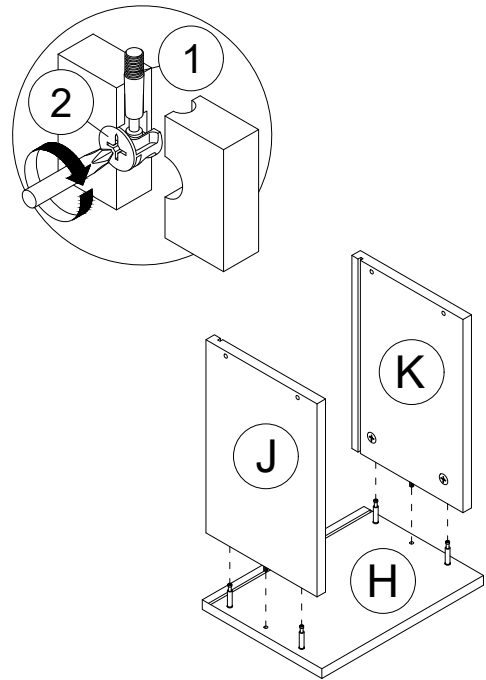
ASSEMBLY INSTRUCTIONS

ITEM NO.: 95002
Pet Bed With Cushion

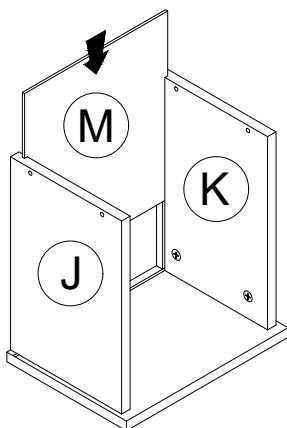
STEP 5



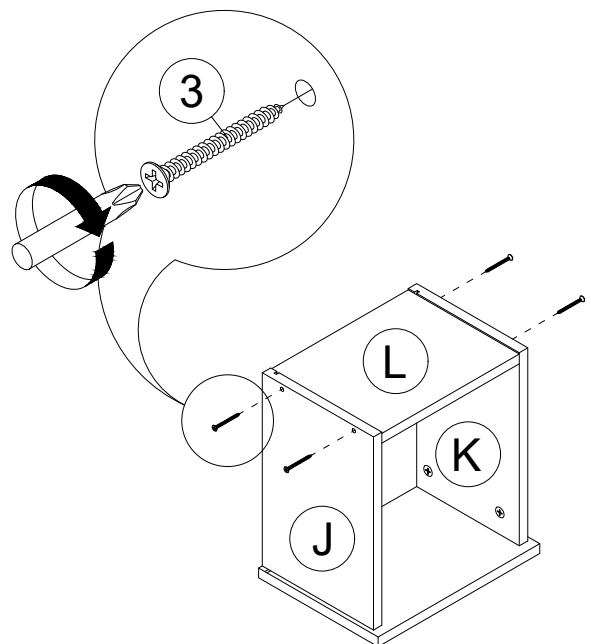
STEP 6



STEP 7



STEP 8



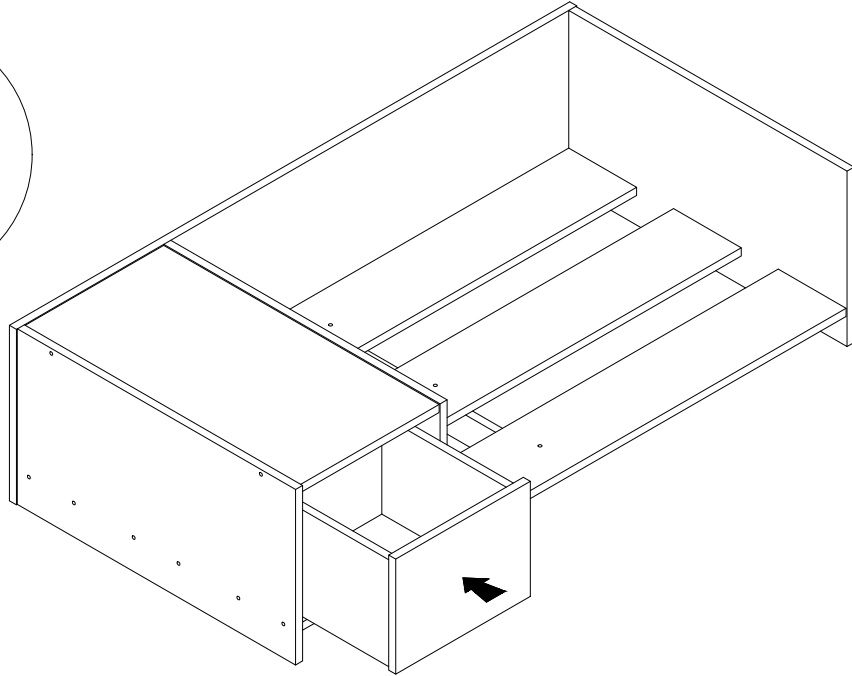
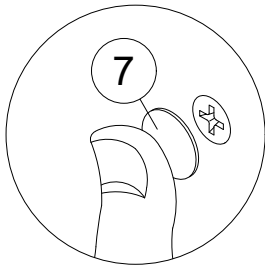
Cleaning instruction: Clean using soft cloth

Made in Malaysia

ASSEMBLY INSTRUCTIONS

ITEM NO.: 95002
Pet Bed With Cushion

STEP 9



STEP 10

