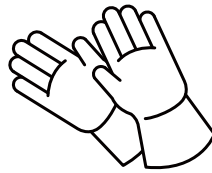
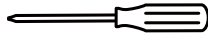
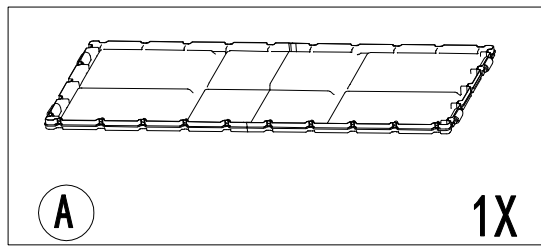


BEFORE STARTING ASSEMBLY

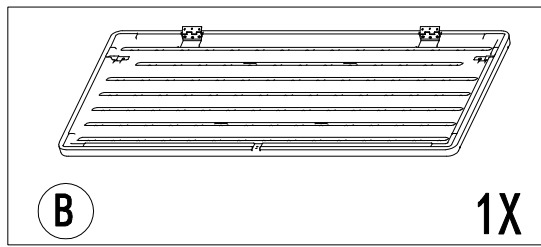
- ① Some parts have metal edges. Please be careful when handling components. Always wear work gloves.
- ② Please check all parts and components to ensure that there are no damages or missing items BEFORE starting the construction of the product.
- ③ Please do not fully tighten the bolts prior to complete assembly.
- ④ Retain for future reference. Read carefully. For domestic use.





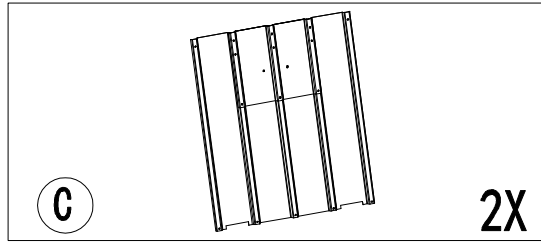
A

1X



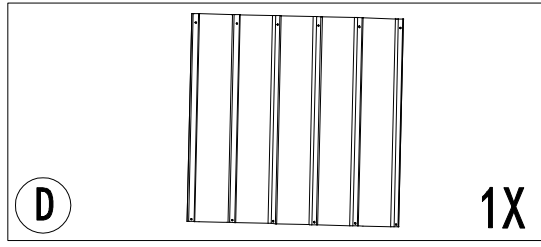
B

1X



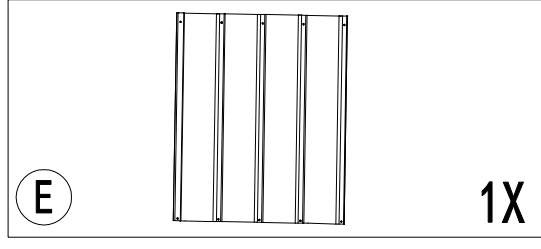
C

2X



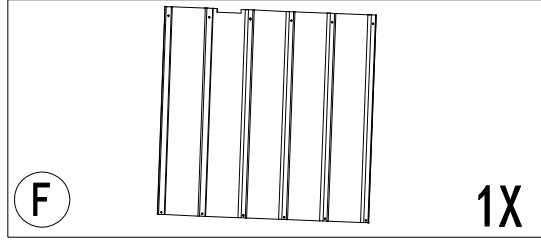
D

1X



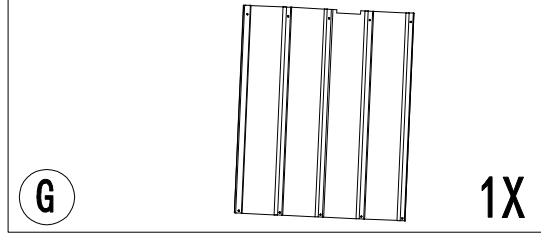
E

1X



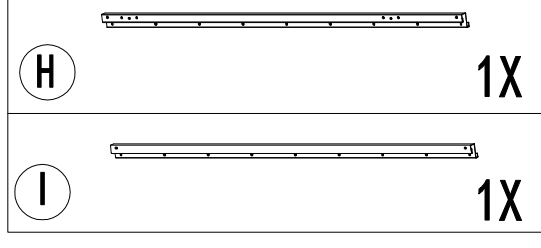
F

1X



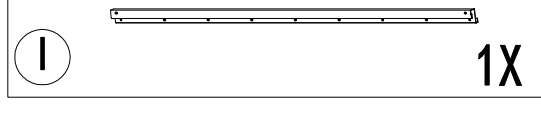
G

1X



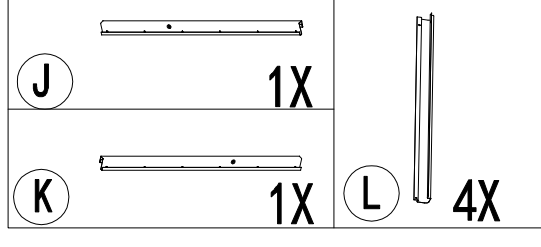
H

1X



I

1X

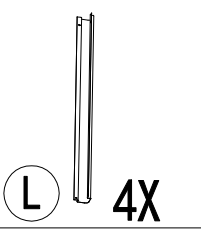


J

1X

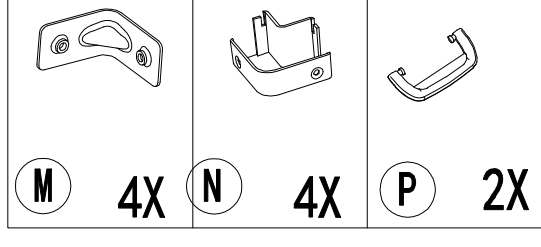
K

1X



L

4X



M

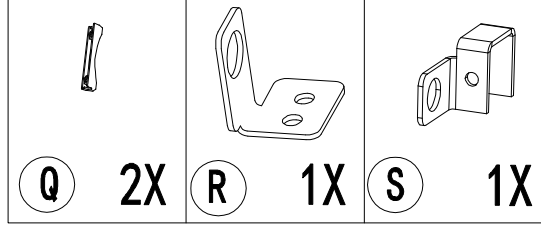
4X

N

4X

P

2X



Q

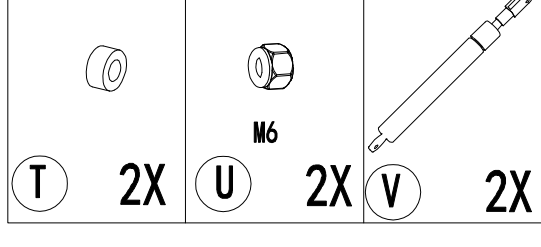
2X

R

1X

S

1X



T

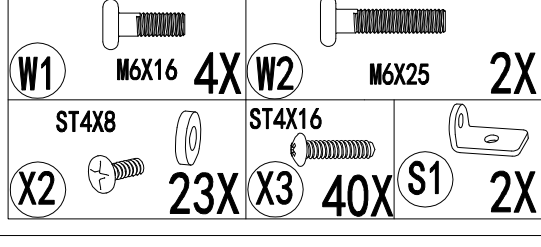
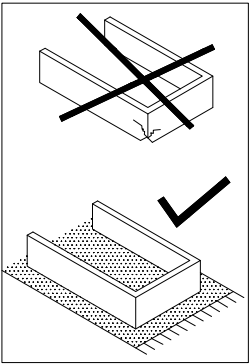
2X

U

2X

V

2X



W1

M6X16

4X

W2

M6X25

2X

X2

ST4X8

23X

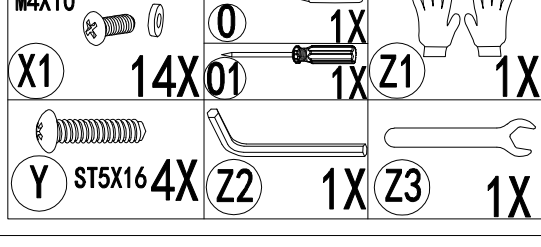
X3

ST4X16

40X

S1

2X



X1

M4X10

14X

O

1X

Z1

1X

Y

ST5X16

4X

Z2

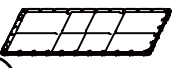

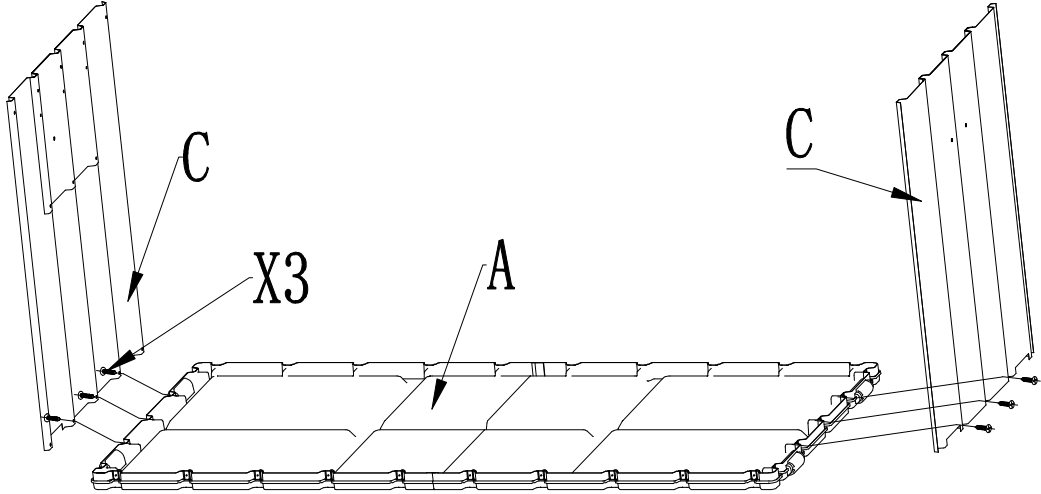
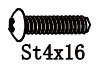



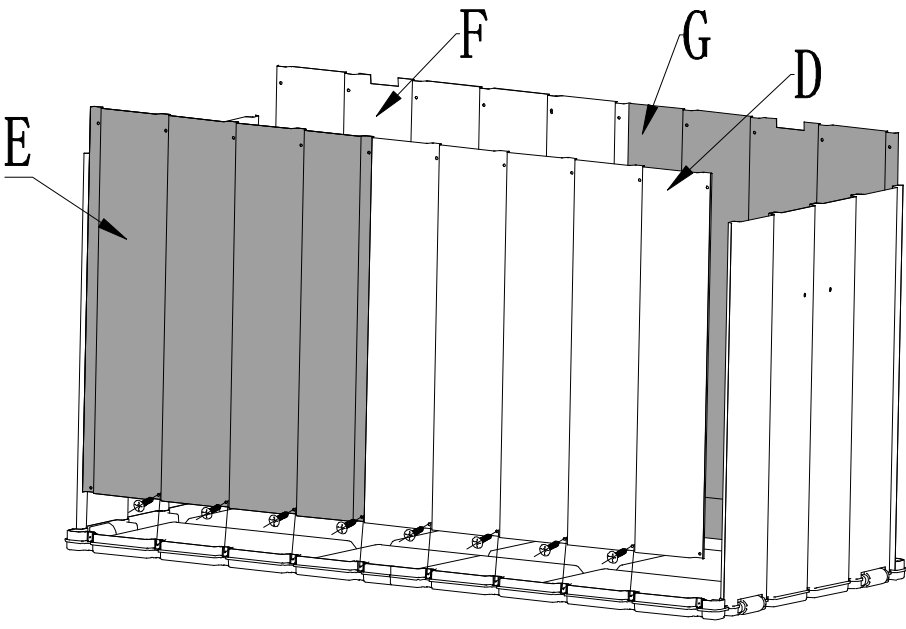

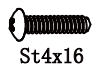
1X

Z3

1X

1

⚠ Please do not fully tighten the bolts prior to complete assembly.

 <p>A 1X</p>	<p>(1) Place part #C on part #A, align the screw holes, and secure with 3 bolts #X3.</p> <p>(2) Repeat the above procedure to assemble the other side.</p>
 <p>C 2X</p>	
 <p>X3 6X</p>	
 <p>D 1X</p>	<p>Step 1: Place part #D and part #E on part #A, align the screw holes, and secure with 8 bolt #X3.</p>
 <p>E 1X</p>	<p>Step 2: Place part #F and part #G on part #A, align the screw holes, and secure with 8 bolt #X3.</p>
 <p>F 1X</p>	
 <p>G 1X</p>	
 <p>X3 16X</p>	
<p>2</p>	

Insert 4 part #L into the 4 corners of the deck box and secure with 8 bolt #X3.



(L)

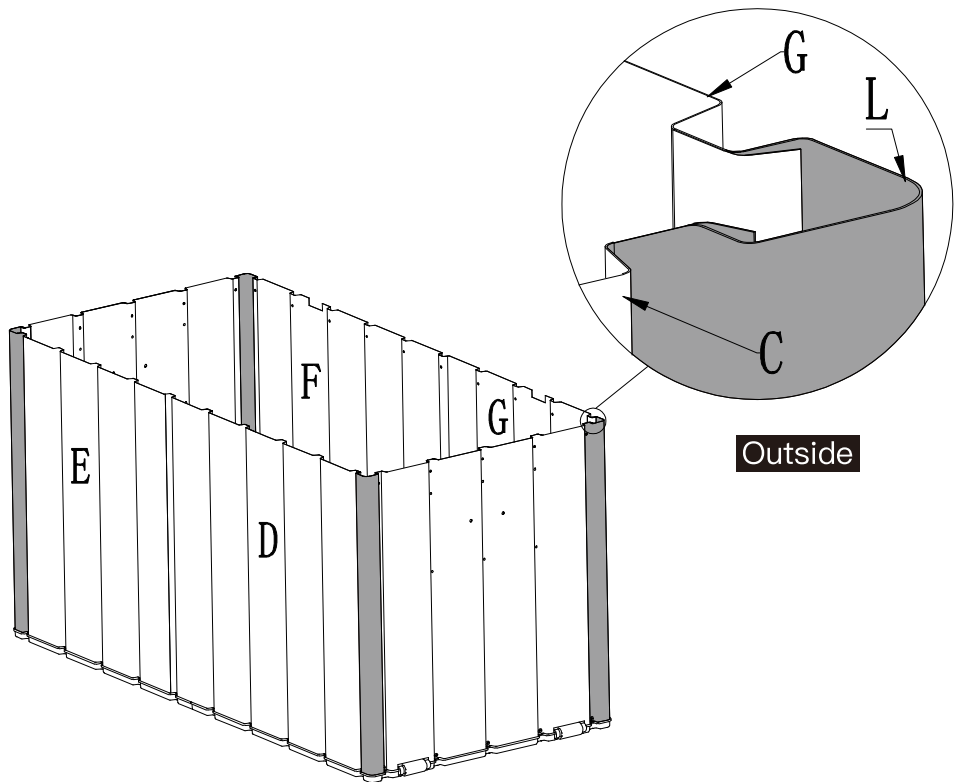
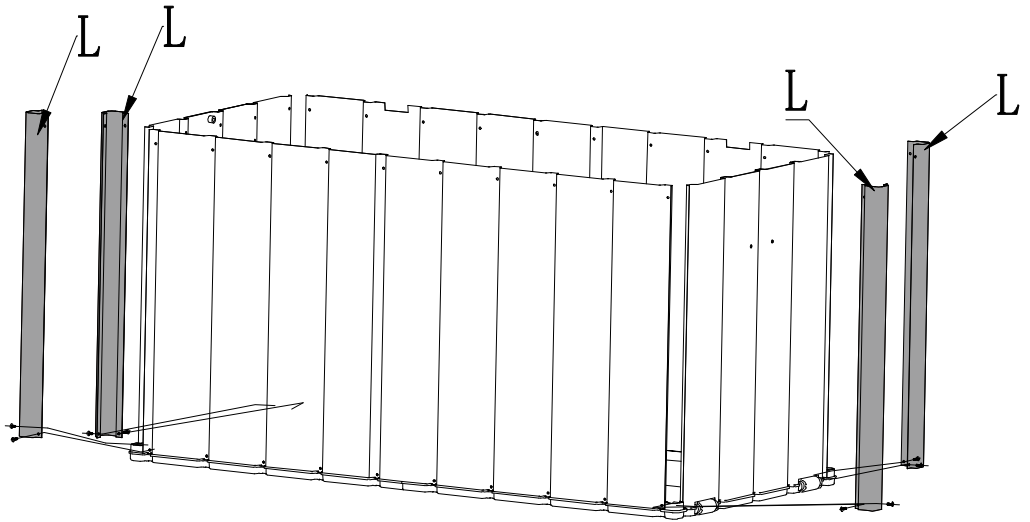
4X









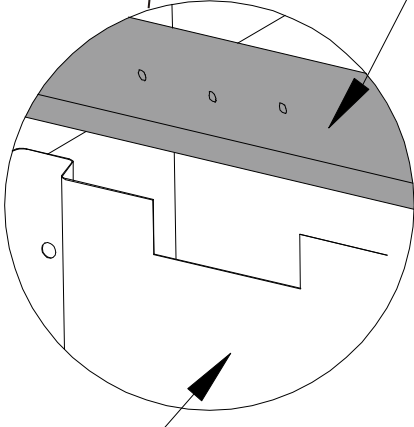
St4x16


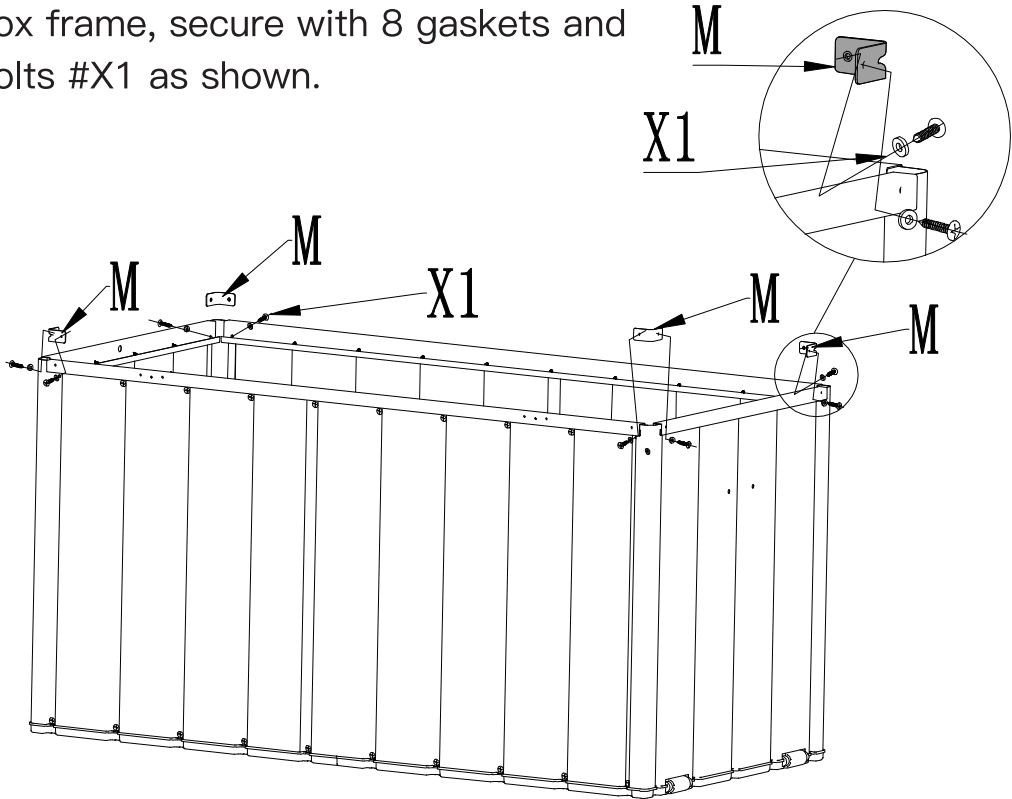

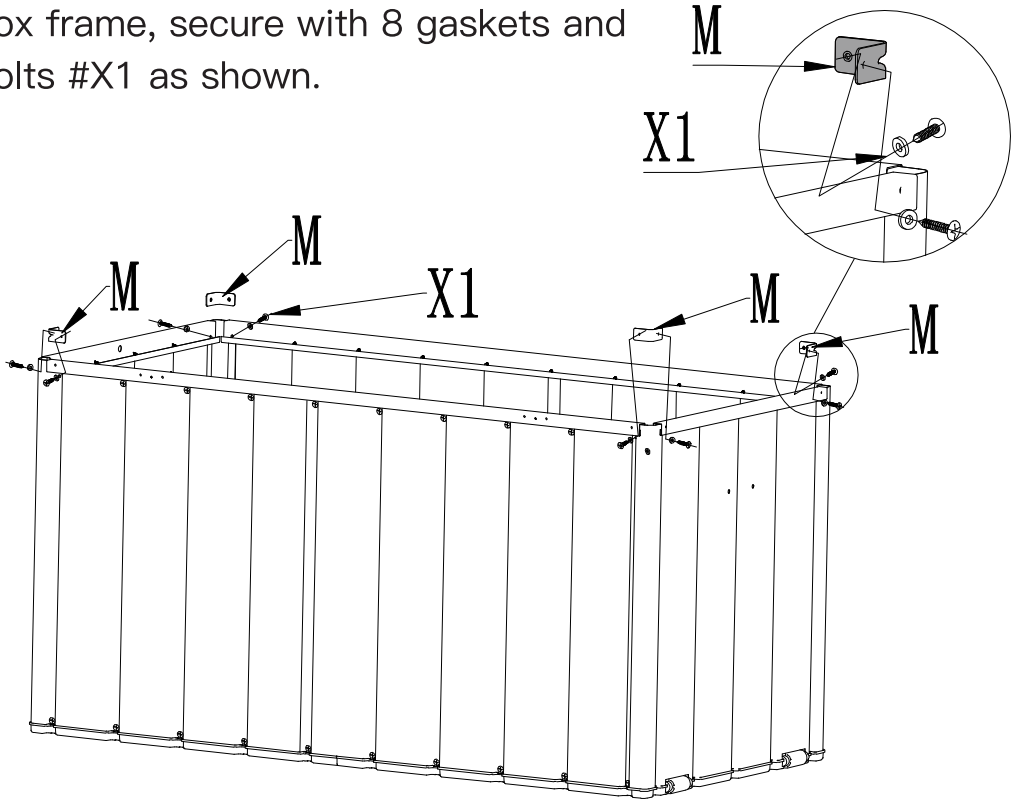

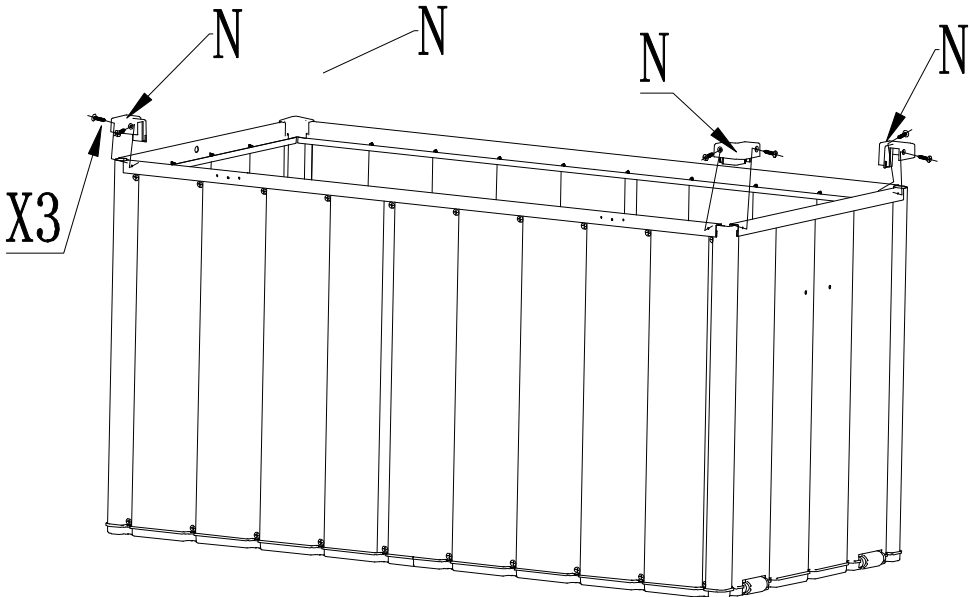

(X3)


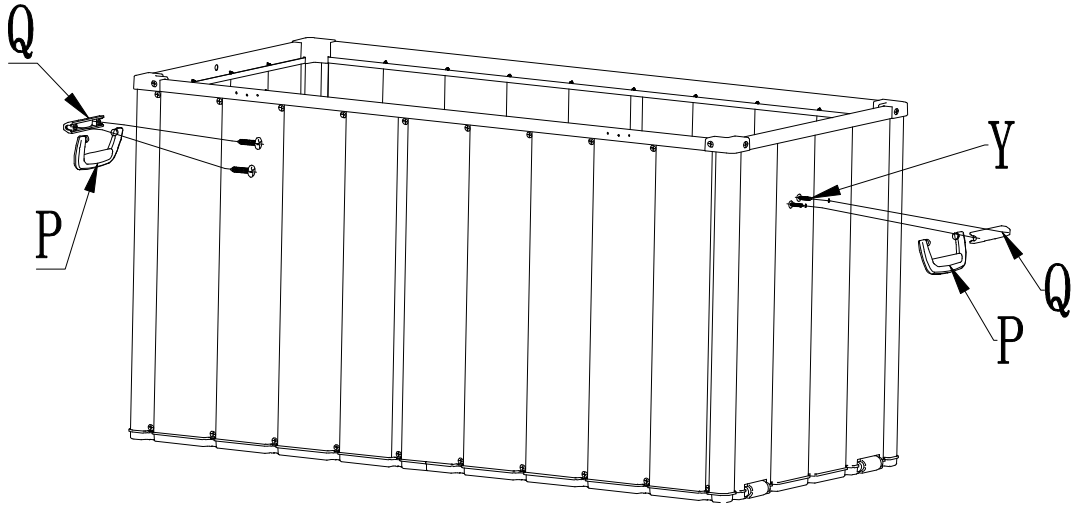



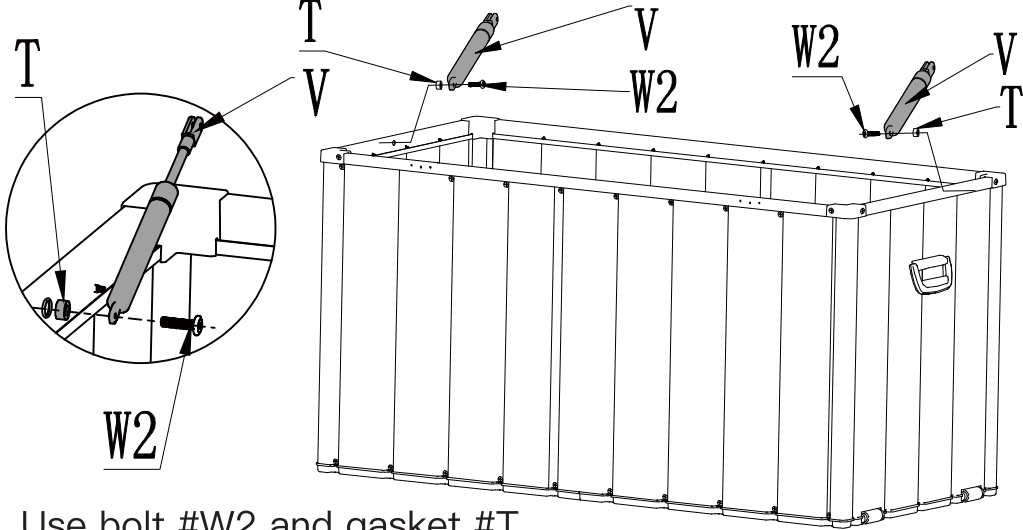



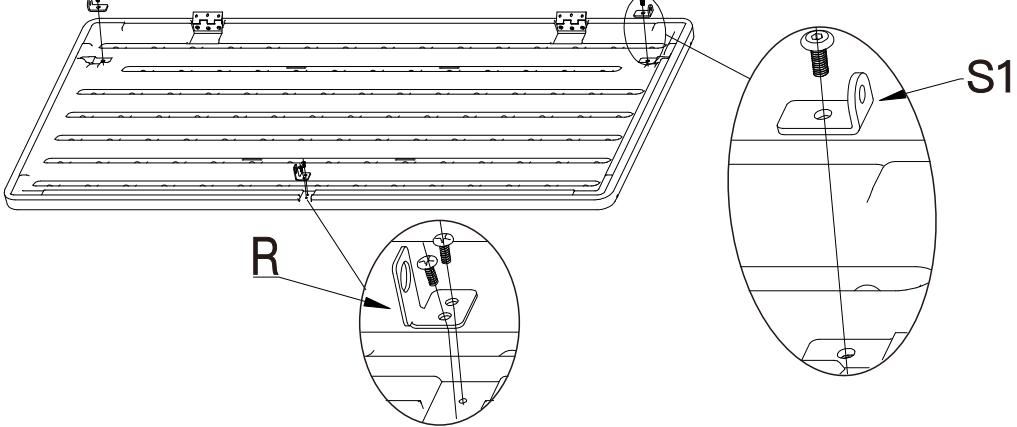


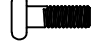

8X

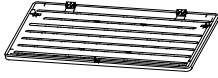
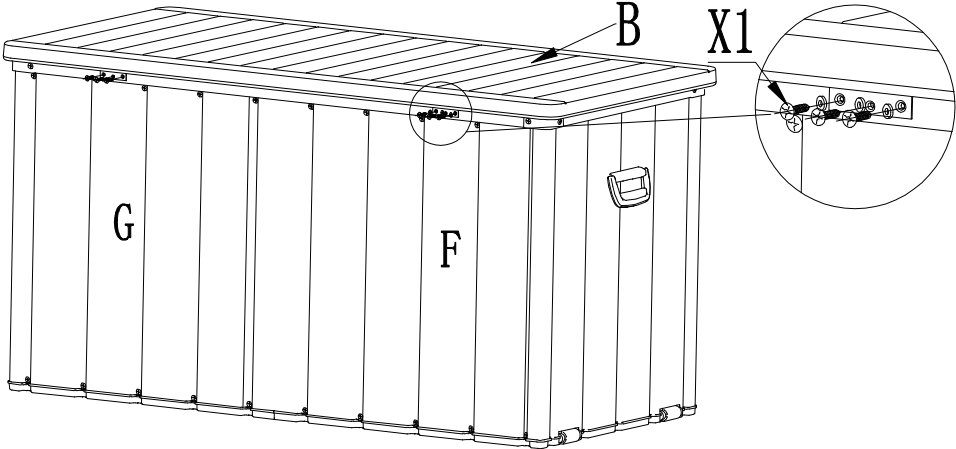


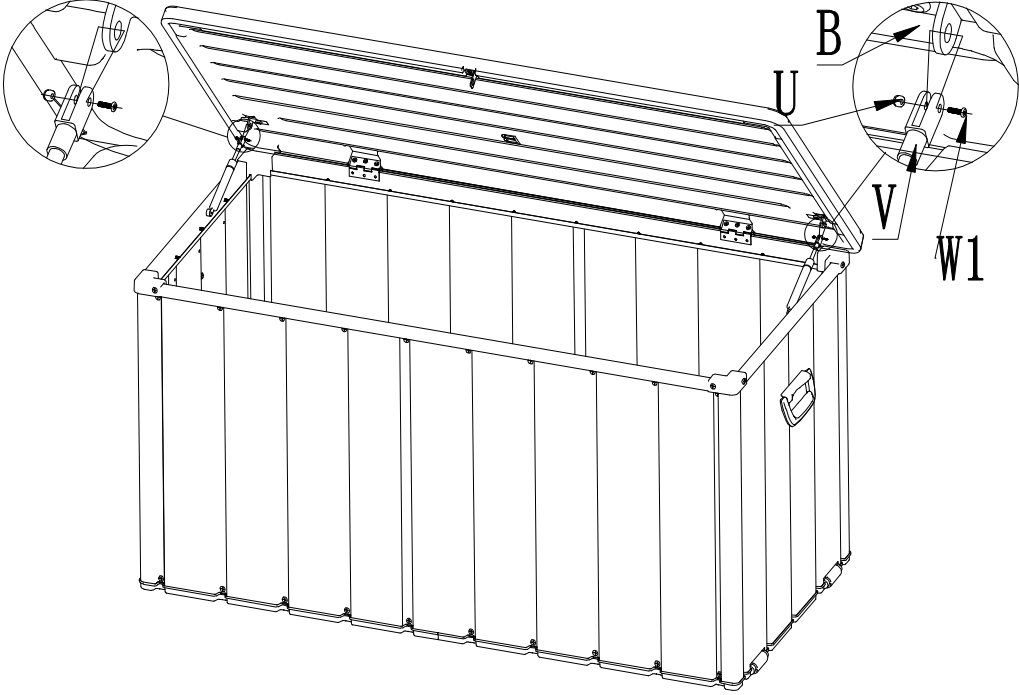
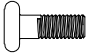


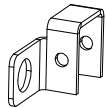
3

 (H) 1X	
 (I) 1X	
 (J) 1X	
 (K) 1X	
 St4x8 (X2) 22X	
 G	<p>Step 1: Place part #H on the storage panel #G & #F as shown, align the screw holes, and secure with 8 gaskets and bolts #X2.</p> <p>Step 2: Place part #I on the storage panel #D and panel #E as shown, align the screw holes, and secure with 8 gaskets and bolts #X2.</p> <p>Step 3: Place part #J on the storage panel as shown, align the screw holes, and secure with 3 gaskets and bolts #X2.</p> <p>Step 4: Place part #K on the storage panel as shown, align the screw holes, and secure with 3 gaskets and bolts #X2.</p>
4	

 <p>(M) 4X</p>	<p>Place 4 part #M on the inside of the box frame, secure with 8 gaskets and bolts #X1 as shown.</p> 
 <p>M4x10</p> <p>(X1) 8X</p>	
 <p>(N) 4X</p>	
 <p>St4x16</p> <p>(X3) 8X</p>	<p>Cover 4 part #N on the corner of the box, secure with 8 bolt #X3 as shown.</p>
<p>5</p>	

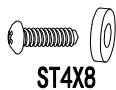
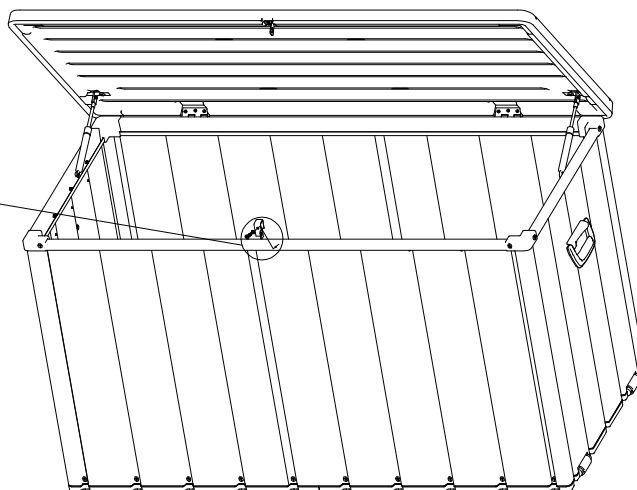
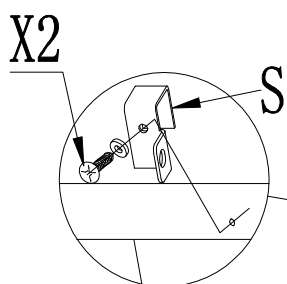
 P 2X	
 Q 2X	
 St5x16 Y 4X	
<p>Step 1: Connect part #P and part #Q. Step 2: Use bolt #Y to secure them to the storage panel.</p>	
 V 2X	
 T 2X	
 M6x25 W2 2X	
<p>Use bolt #W2 and gasket #T to secure part #V on the storage panel as shown.</p>	
 B 1X	
 R 1X	
 S1 2X	
 M6X16 W1 2X	
 ST4X16 X3 2X	
<p>Use 2 bolts #X3 to fix part #R, 2 bolts #W1 to fix part #S1 to the lid as shown.</p>	
6	

 <p>(B) 1X</p>	
 <p>M4X10</p> <p>(X1) 6X</p>	<p>Place part #B on the storage panel #F & #G, align the screw holes, and secure with 6 gaskets and bolts #X1 as shown.</p> <p>▲ Tighten all the bolts.</p>
 <p>(U) 2X</p>	
 <p>M6X16</p> <p>(W1) 2X</p>	<p>(1) Use bolt #W1 and nut #U to connect part #V with the bracket under the lid.</p>
<p>7</p>	



(S)

1X

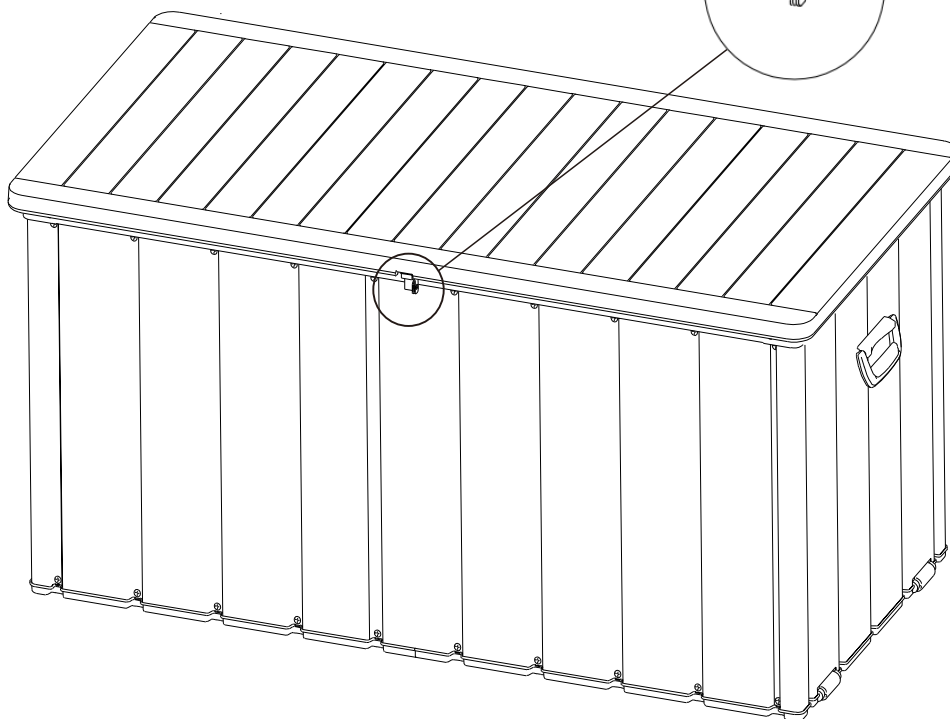
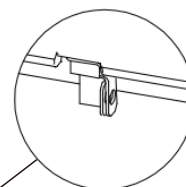


ST4X8

(X2)

1X

(2) Use gasket and bolt #X2 to fix part #S to the storage frame as shown.



8