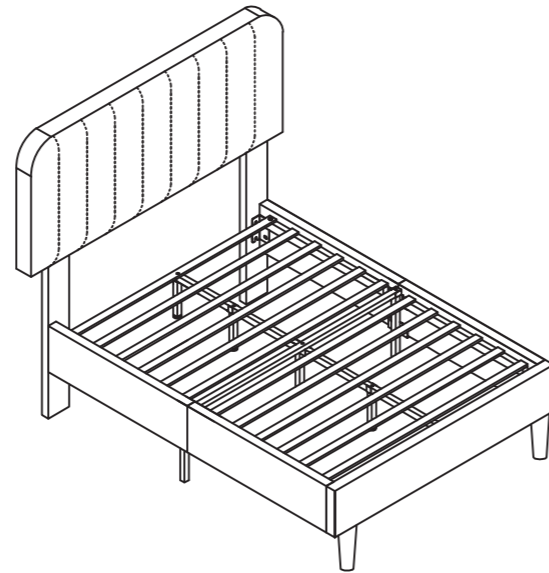


Assembly Guide

Tips!

Check all the components & screws before assembly. Do not install in case part is missing, contact us to get.

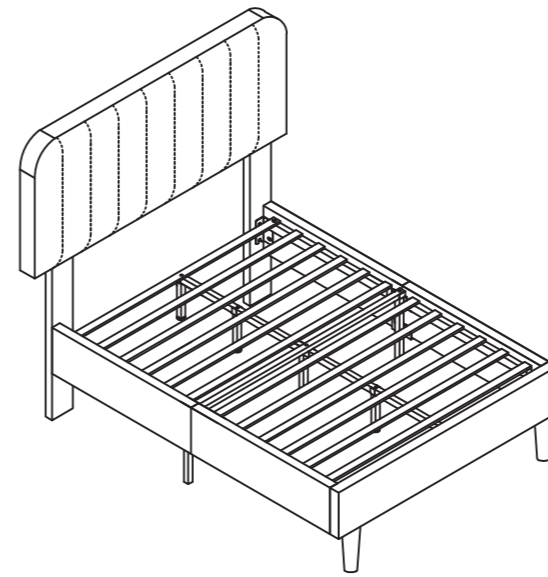
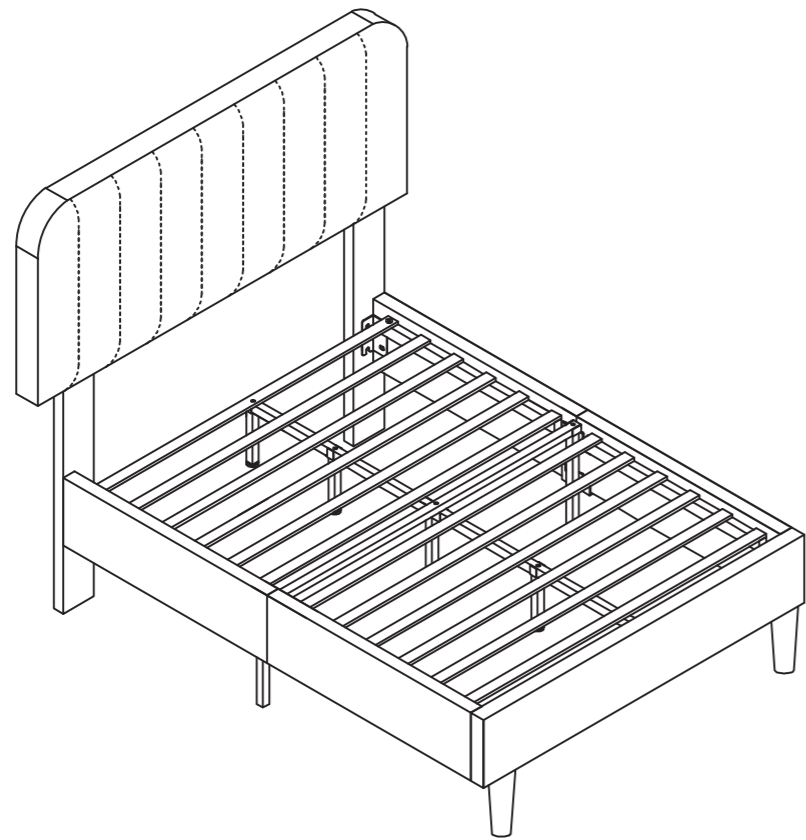


Item Description: Bed Frame

Dimension: TWIN:106*195*(101-121)cm

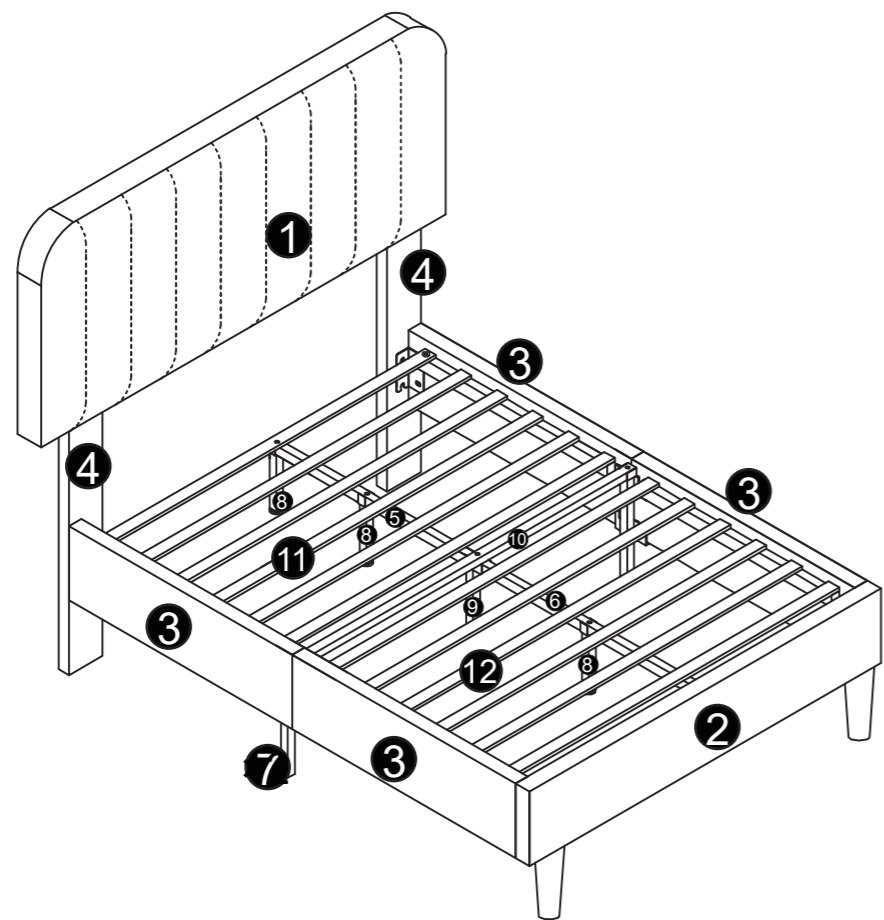
FULL:144*195*(101-121)cm


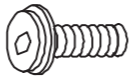





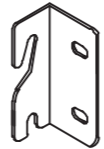
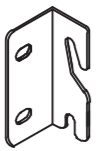

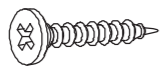
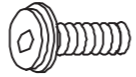
QUEEN:159.5*207*(101-121)cm



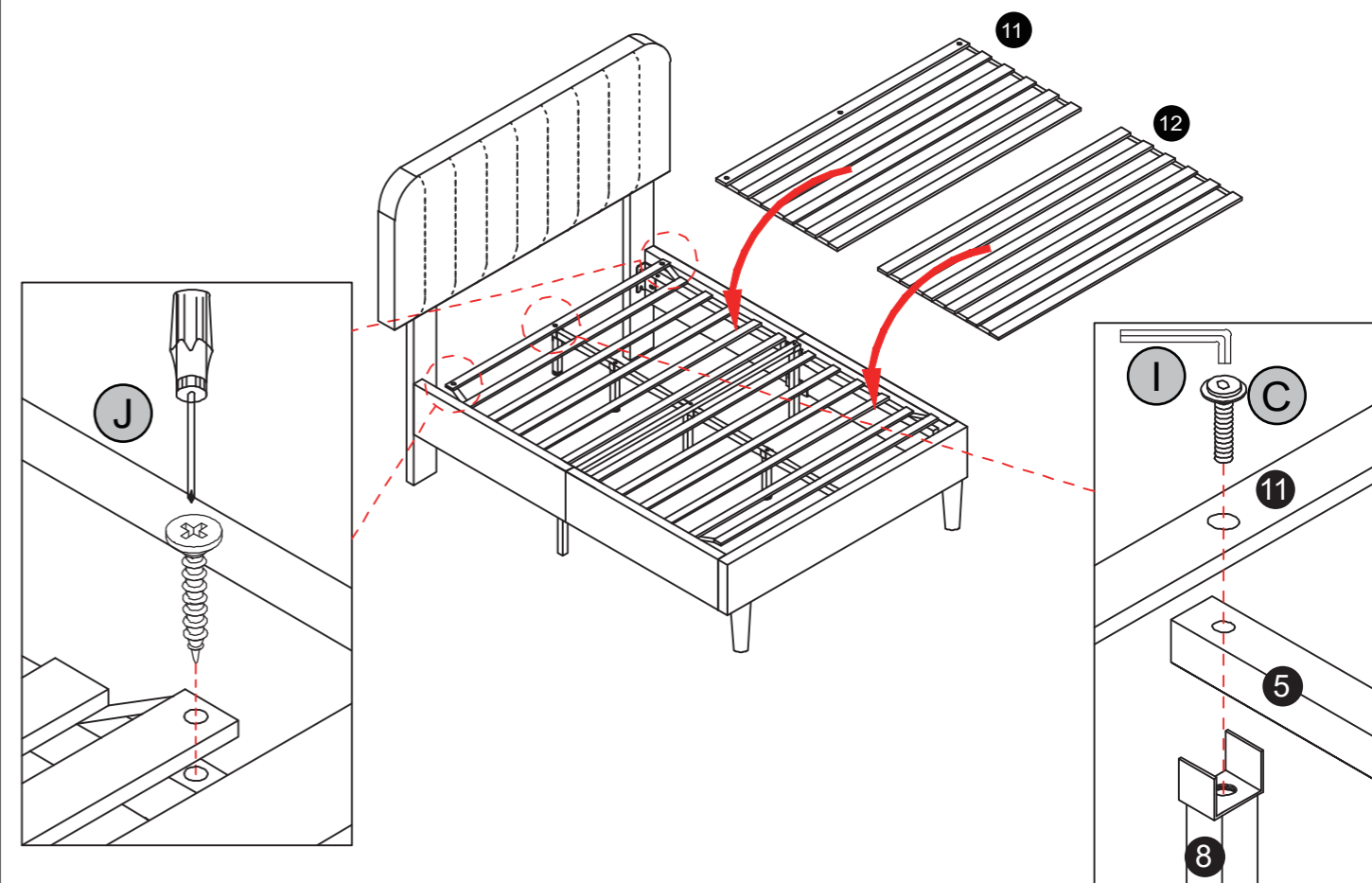
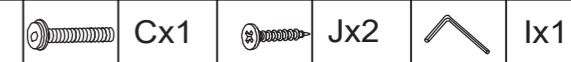
Bed Frame

Dimension: TWIN:106*195*(101-121)cm
FULL:144*195*(101-121)cm
QUEEN:159.5*207*(101-121)cm



A	 Bolt M8 x 25	2	A-1	 Preinstalled on components Bolt M8 x 25	4
B	 Bolt M8 x 45	4	C	 Bolt M8 x 45	5
D	 Spacer	4	E	 Angle iron	2
F	 Foot	2	G	 Angle iron (Left)	1
H	 Angle iron (Right)	1	I	 Allen Key M5	1
J	 Screw M4 x 25	2	L-1	 Preinstalled on components Bolt M8 x 18	22

Step 9

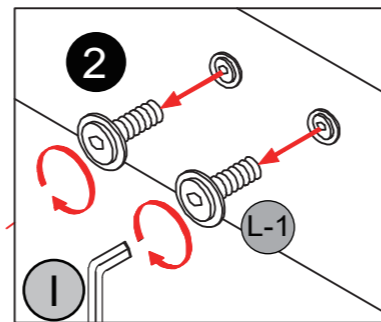


Step 8

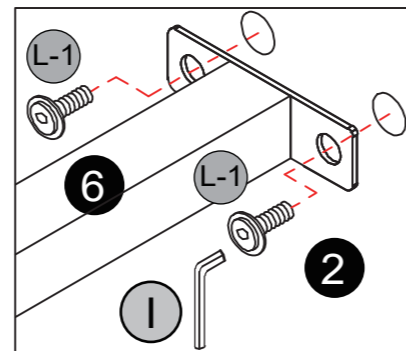
 L-1 x 2
  Cx2
  lx1

Unscrew the original screw

8-1

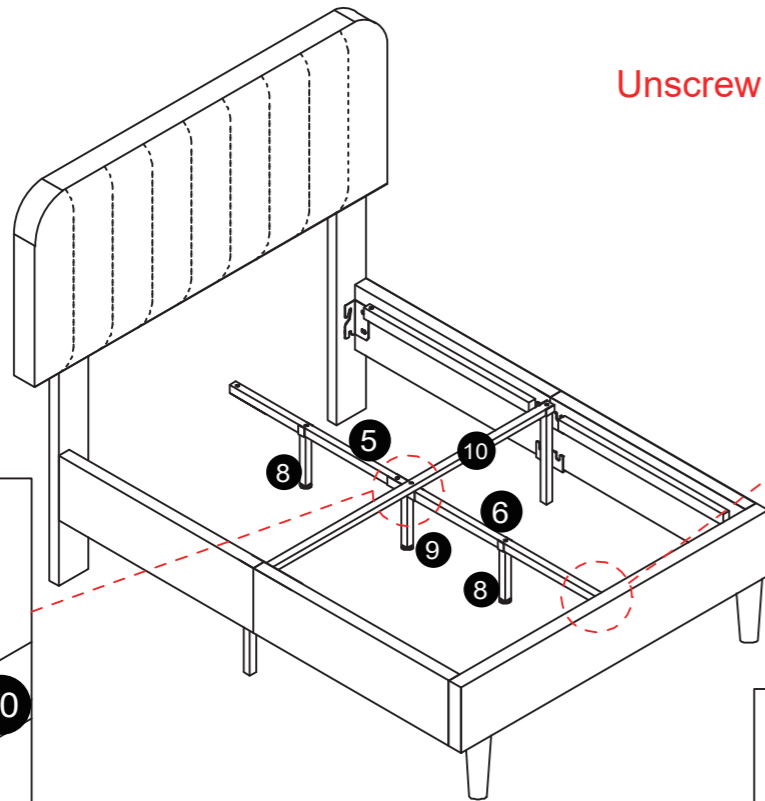
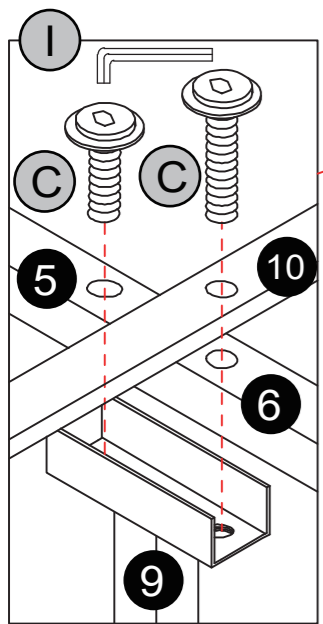


8-2 ↓



Tighten the original screw

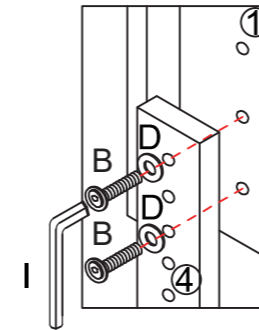
8-3



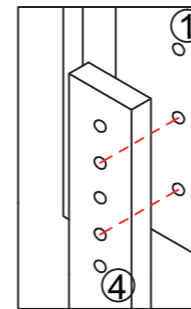
Step 1

Each pair of holes corresponds to a mattress thickness as shown below

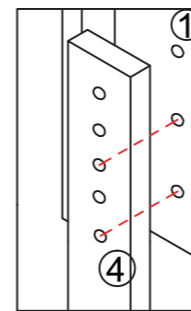
 Bx4
  Dx4
  lx1



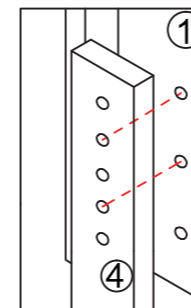
Use these holes to fit a 12 inch thick mattress (47.6 inch tall overall)



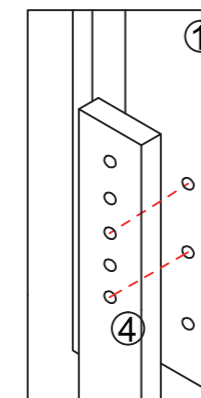
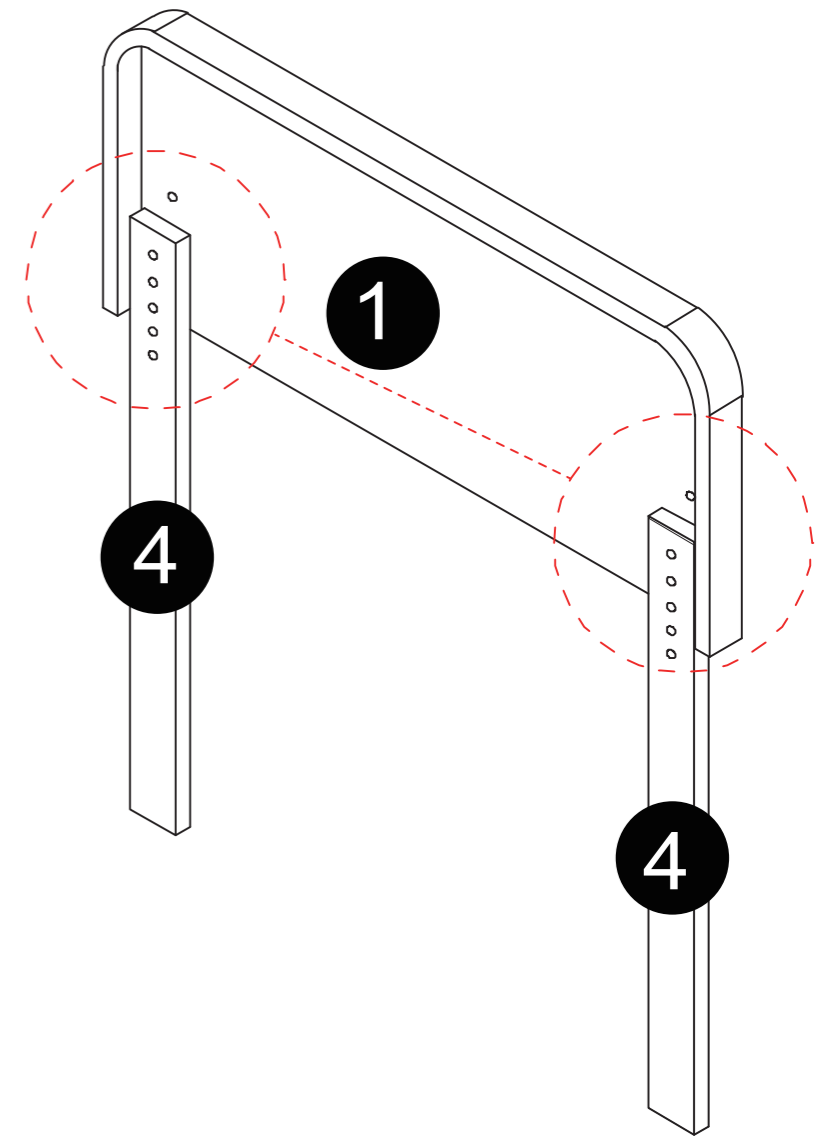
Use these holes to fit a 10 inch thick mattress (45.6 inch tall overall)



Use these holes to fit a 8 inch thick mattress (43.6 inch tall overall)



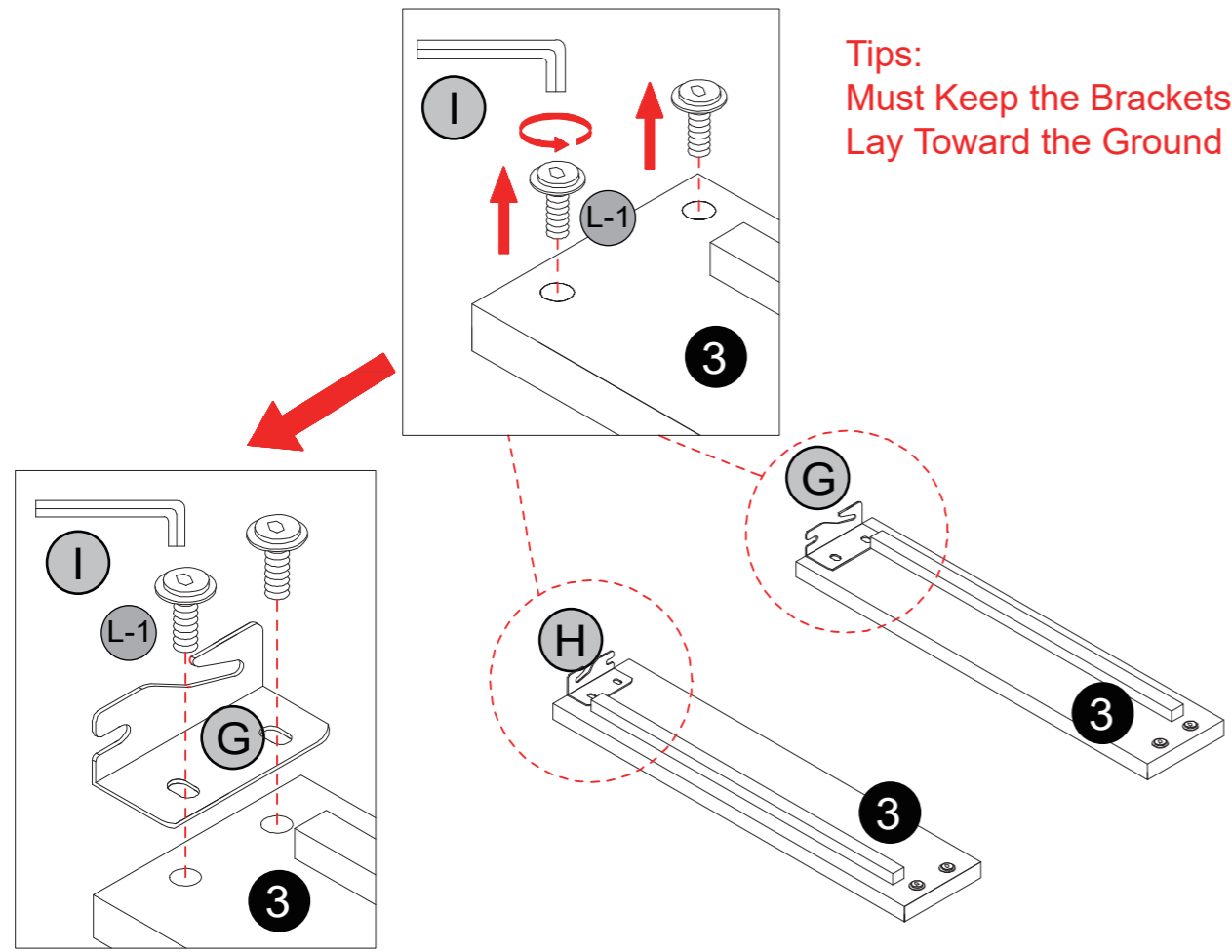
Use these holes to fit a 6 inch thick mattress (41.6 inch tall overall)



Use these holes to fit a 4 inch thick mattress (39.6 inch tall overall)

Step 2

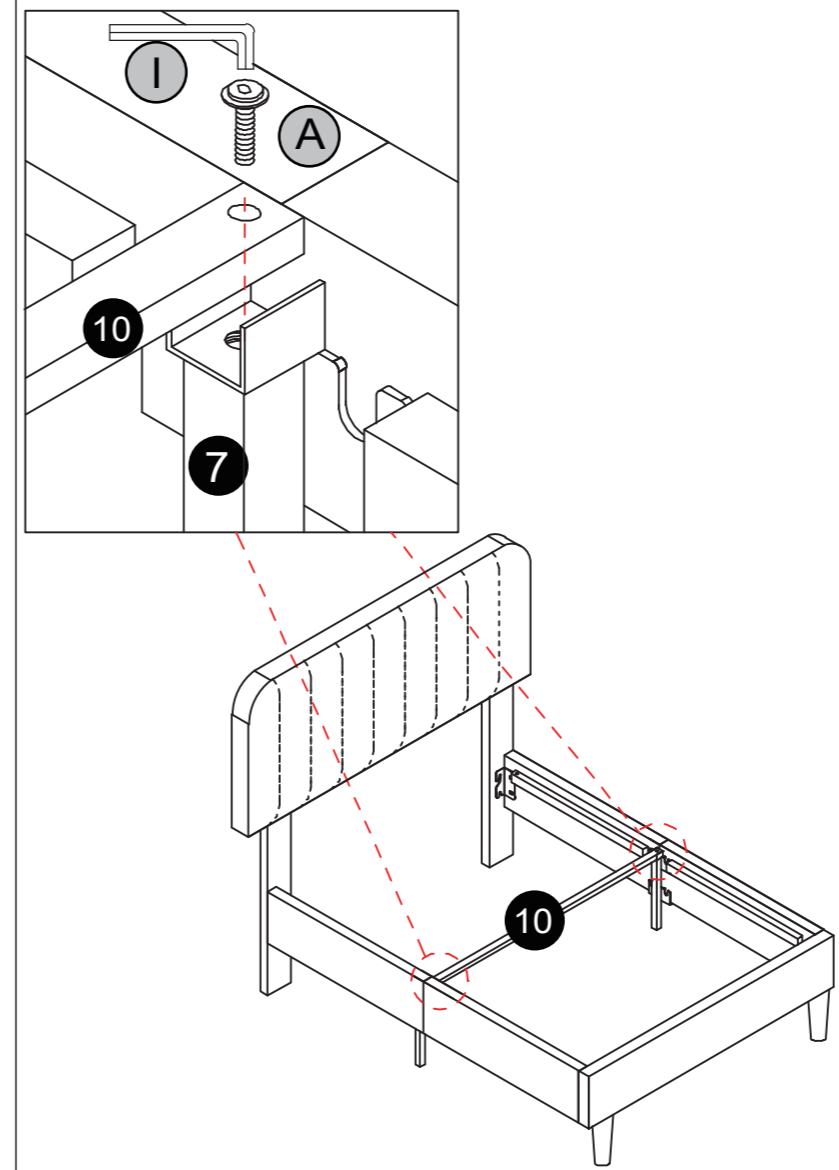
- L-1 x 4
- Gx1
- Hx1
- I x1



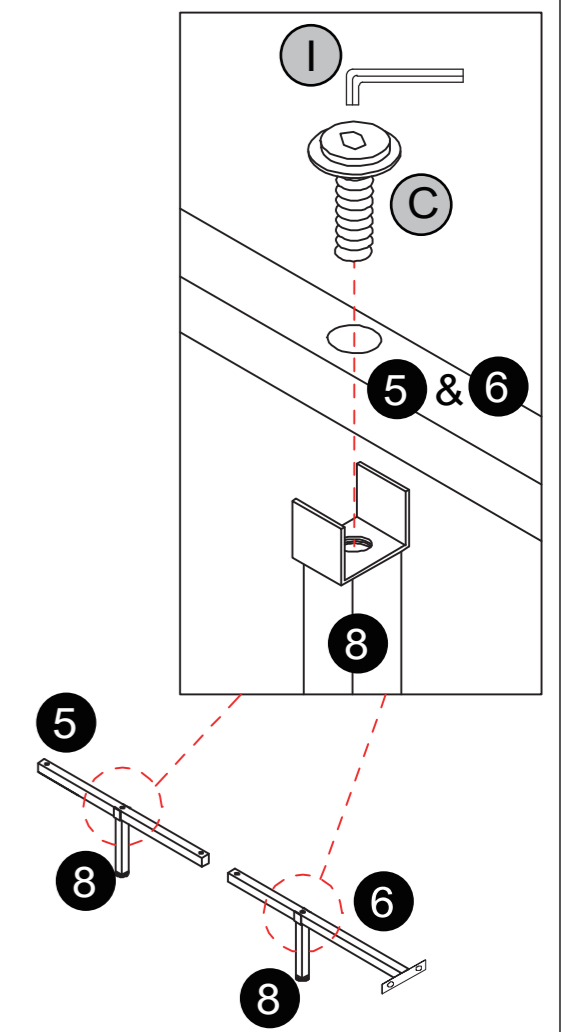
Step 7

- Ax2
- Cx2
- I x1

7-1



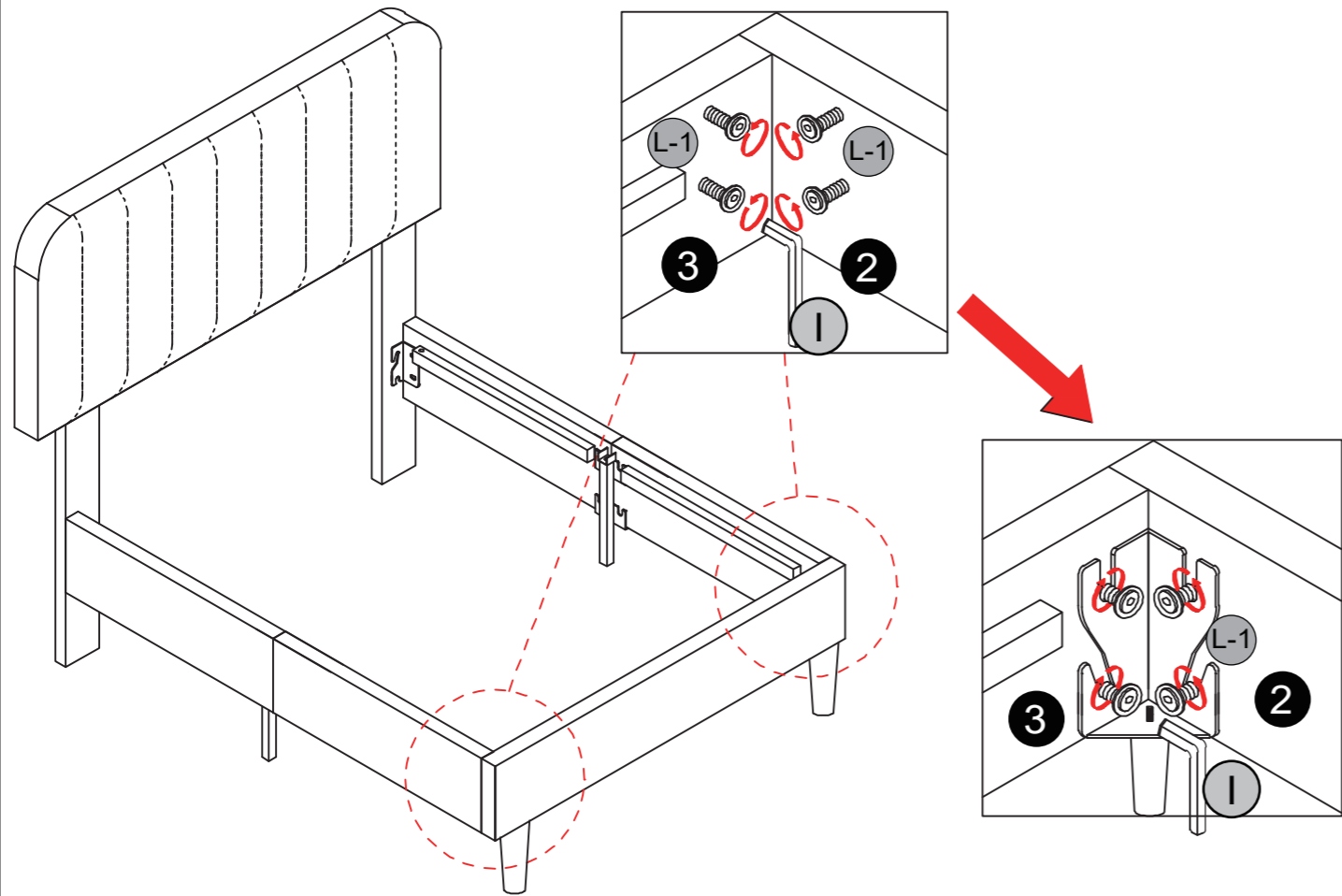
7-2



Step 6

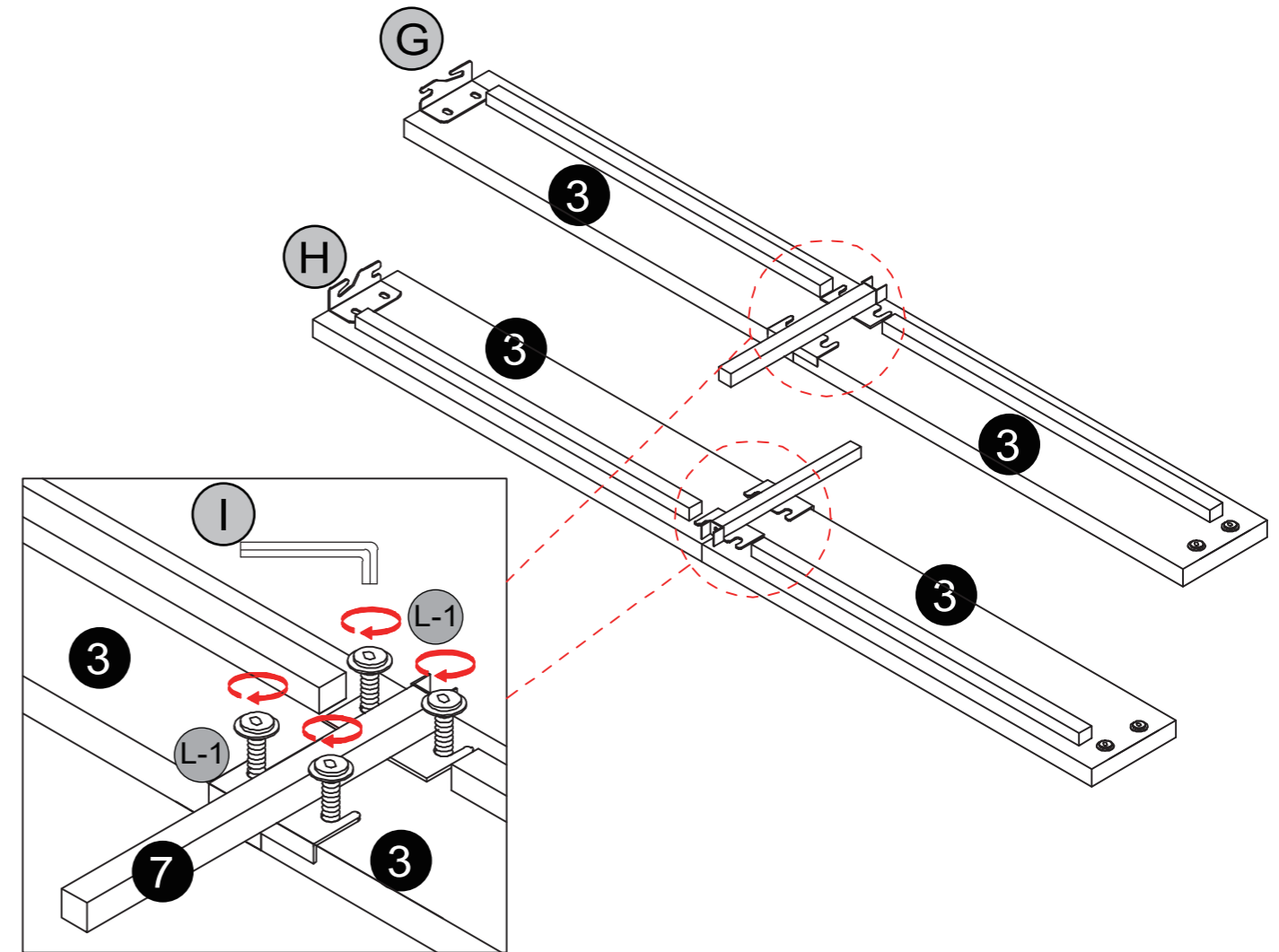
L-1 x 8 1 x 1

Tips:
Loose the Preinstalled
4 Screws for leg
Installation, and Then
Tighten Them Again



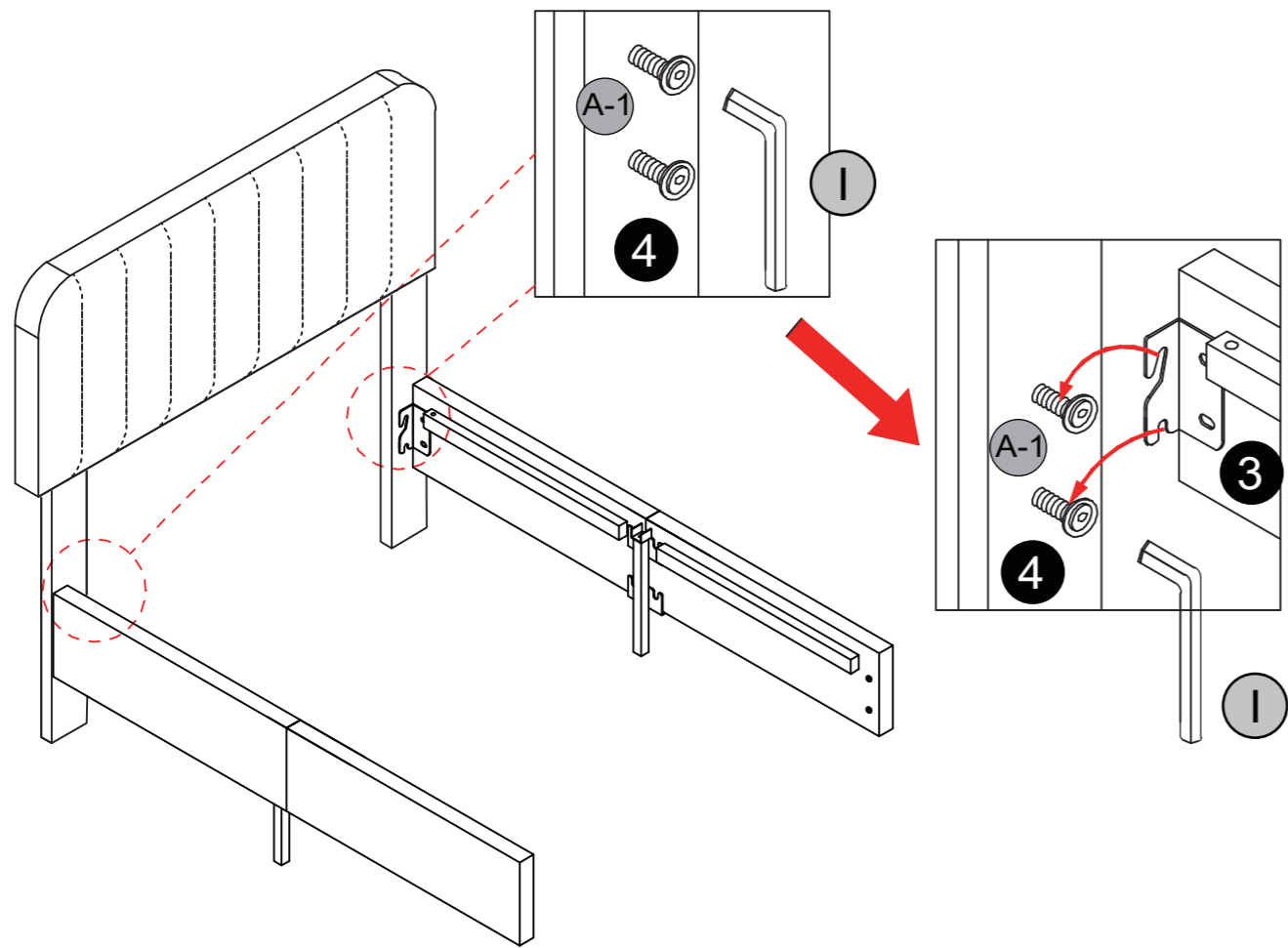
Step 3

L-1 x 8 7 x 2 1 x 1



Step 4

 A-1 x 4  I x1



Step 5

 Ex2  Fx2

