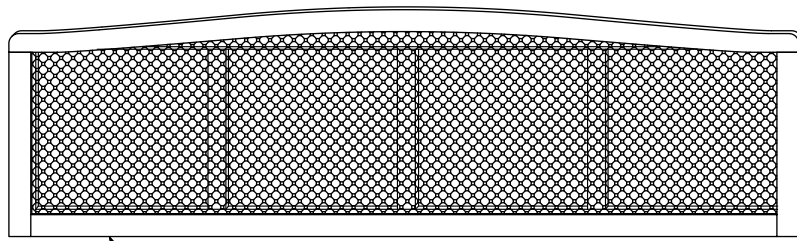


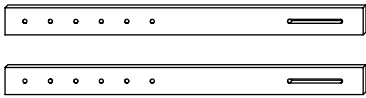
# King Headboard

## Assembly Instructions

### 1 Parts List



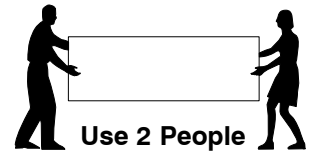
**A** Headboard Panel x 1



**B**  
Support Bar  
x 2

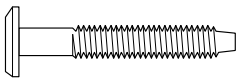


**C**  
Mini Support  
x 2



**Note:** Do not assemble using power tools. This can cause the bolts to be overtightened

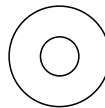
### 2 Hardware List



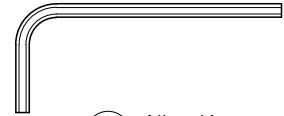
**1** M6 x 35mm JCB  
x 4



**2** Spring Washer  
x 4

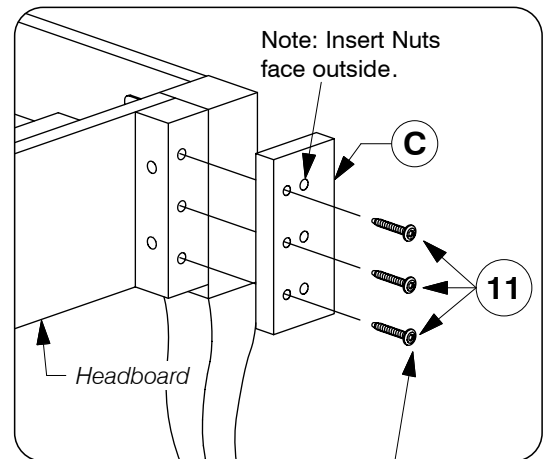
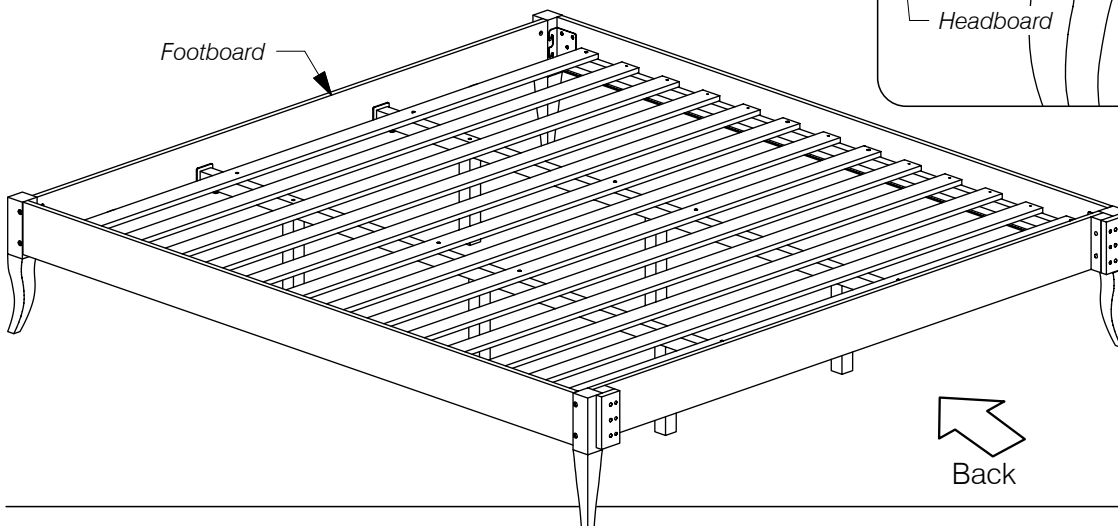


**3** Flat Washer  
x 4



**4** Allen Key  
x 1

### 3 Fit the Mini Support (C) to the Headboard.



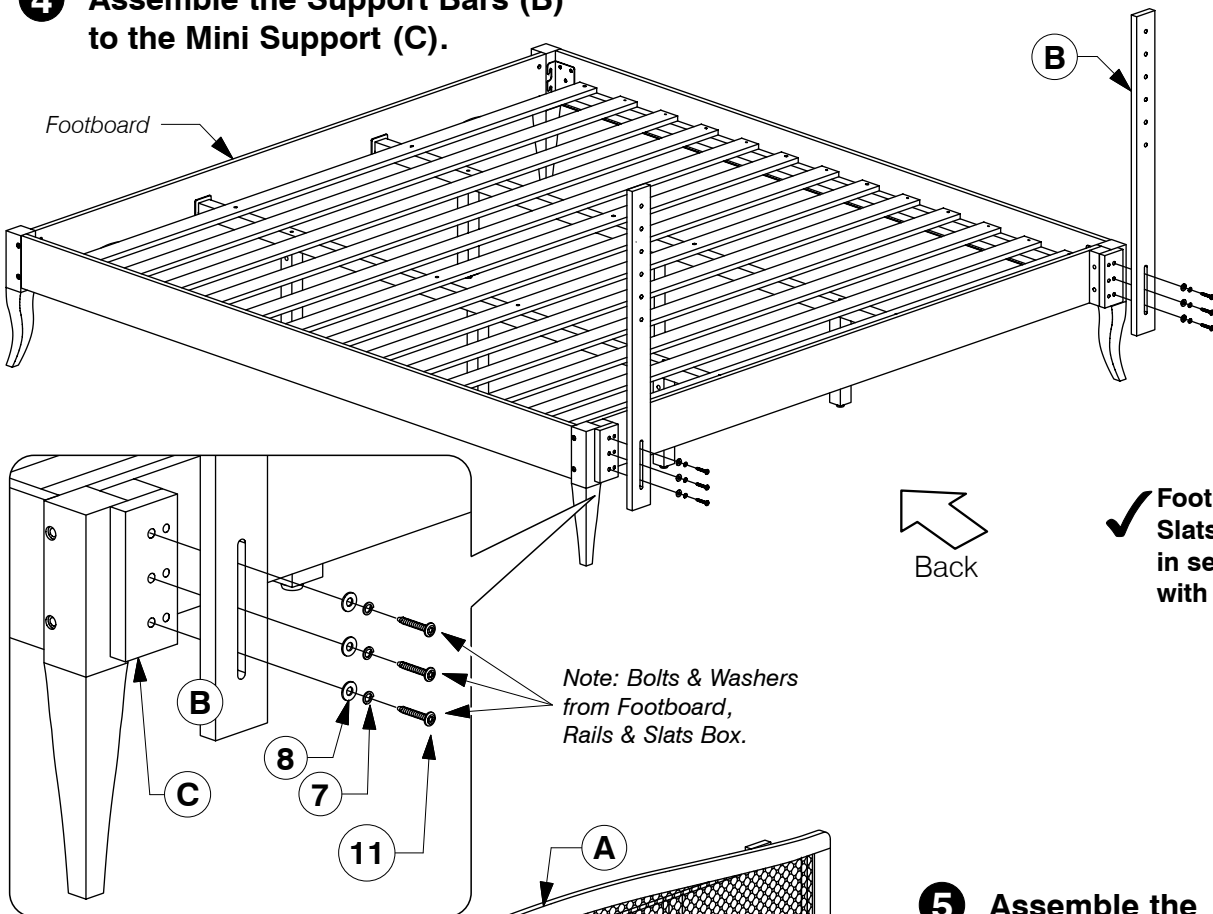
**Note:** Bolts from Footboard, Rails & Slats Box.



# King Headboard

## Assembly Instructions

### 4 Assemble the Support Bars (B) to the Mini Support (C).



### 5 Assemble the Headboard Panel (A) to the Support Bars (B).

