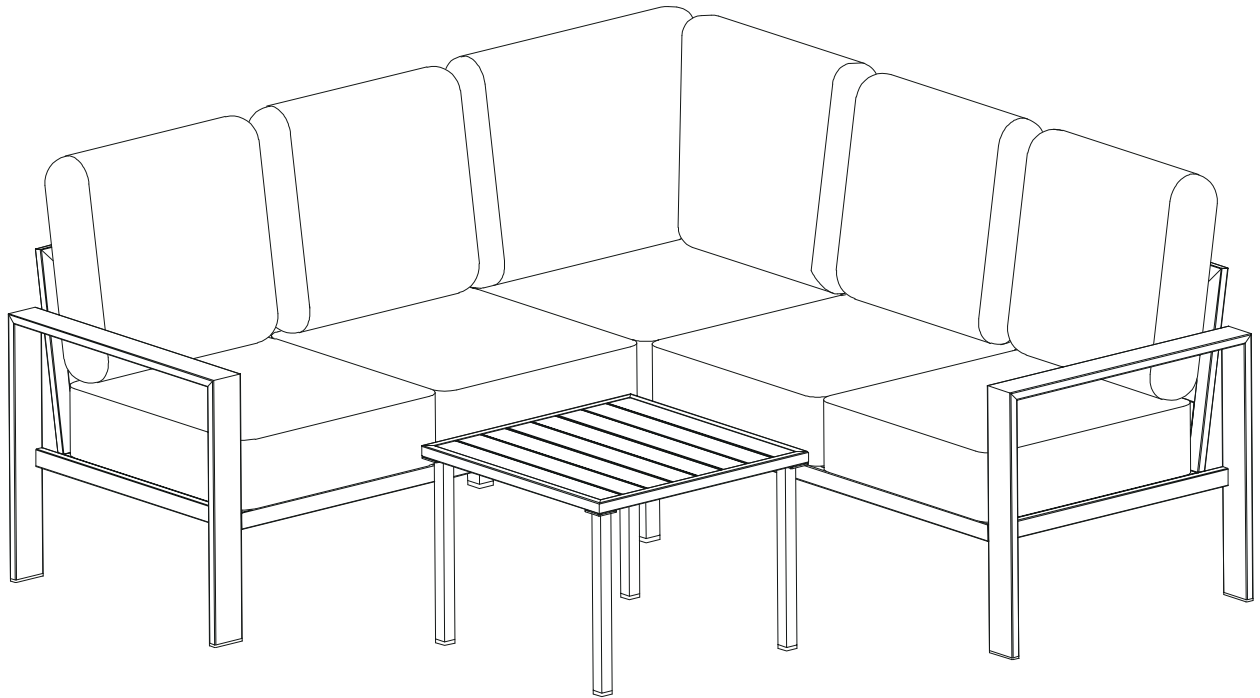


## Metal L-Shape Sectional Sofa

---



# NOTICE



Please keep these instructions for future reference.

Dear Customer

● Thank you for your purchase. When you receive the product, please make sure that all the parts are intact. Then follow the entire installation instructions to install!

● **When installing, please be careful not to tighten the screws immediately! You need to make sure that all the screws are secured to 80%, then tighten them!**

A . The outer box is damaged

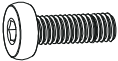



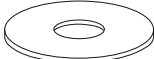


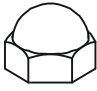

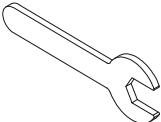
B . The product is damaged / bent / cracked while you open the box

C . The parts / accessories / assembly tools are missing

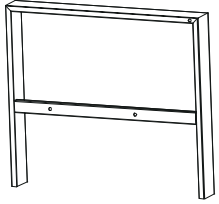
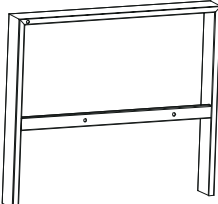
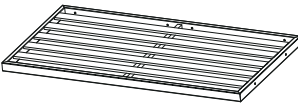
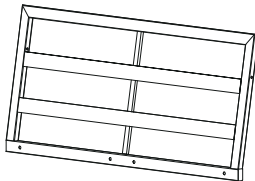
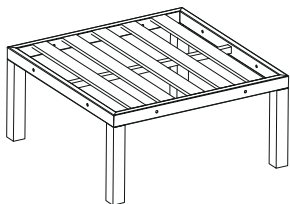
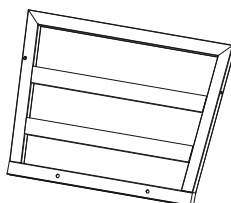
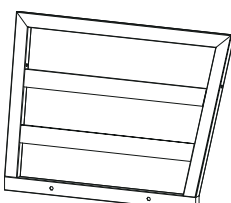
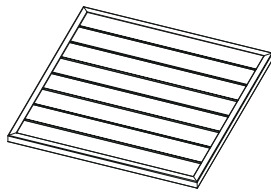
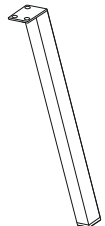
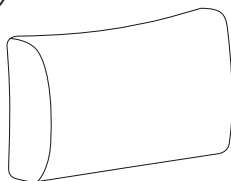
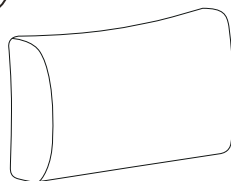
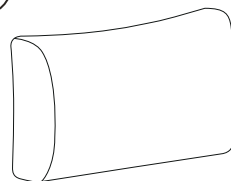
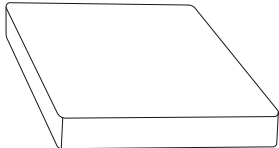
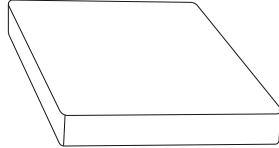
D . The instructions are not clear and can not be referred

E . The product has functional problems

## HARDWARE LIST

 M6*15 12 pcs	 M6*30 16 pcs	 M6*50 7 pcs	 M6*90 2 pcs	 M6 43 pcs
 M6 37 pcs	 M6 6 pcs	 M6 6 pcs	 M6 1 pc	 M6 1 pc

# PART LIST

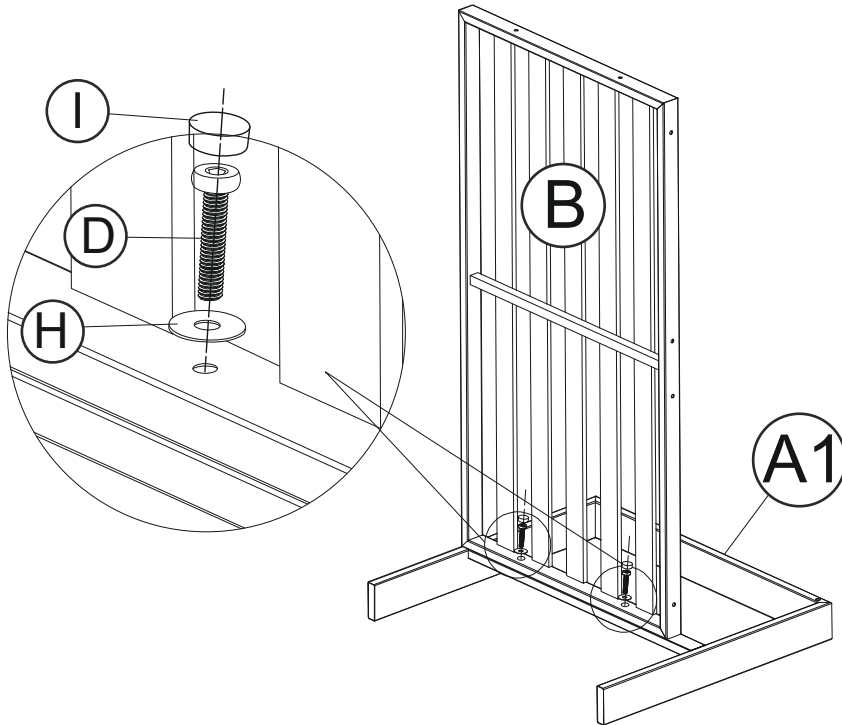
			
1 pc	1 pc	2 pcs	2 pcs
			
1 pc	1 pc	1 pc	1 pc
	 <p data-bbox="502 1310 734 1344">Large back pad</p>	 <p data-bbox="861 1310 1093 1344">Medium back pad</p>	 <p data-bbox="1220 1310 1452 1344">Small back pad</p>
4 pcs	1 pc	4 pcs	1 pc
 <p data-bbox="151 1713 367 1747">Large cushion</p>	 <p data-bbox="510 1713 742 1747">Medium cushion</p>		
1 pc	4 pcs		







1. Please ensure that all accessories are complete before starting the installation.
2. Due to the variety of accessories, many accessories may be glued together, please check carefully
3. If any accessories are missing or damaged, please contact the seller immediately.

# STEP 1

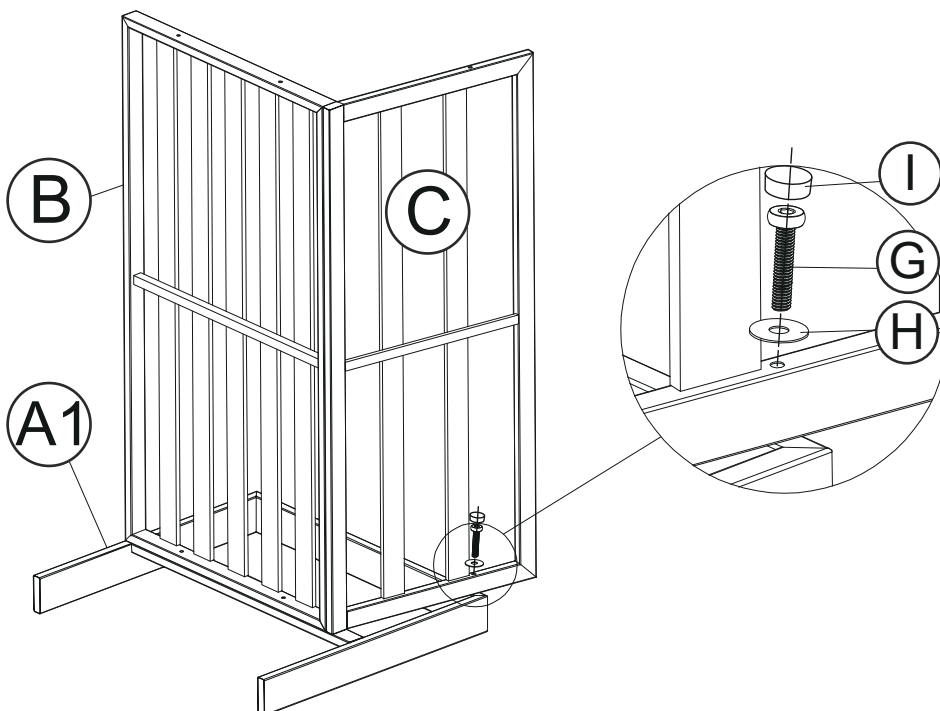
## NOTICE

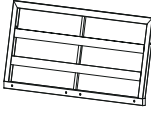




When installing, please be careful not to tighten the screws immediately!  
You need to make sure that all the screws are secured to 80%, then tighten them!



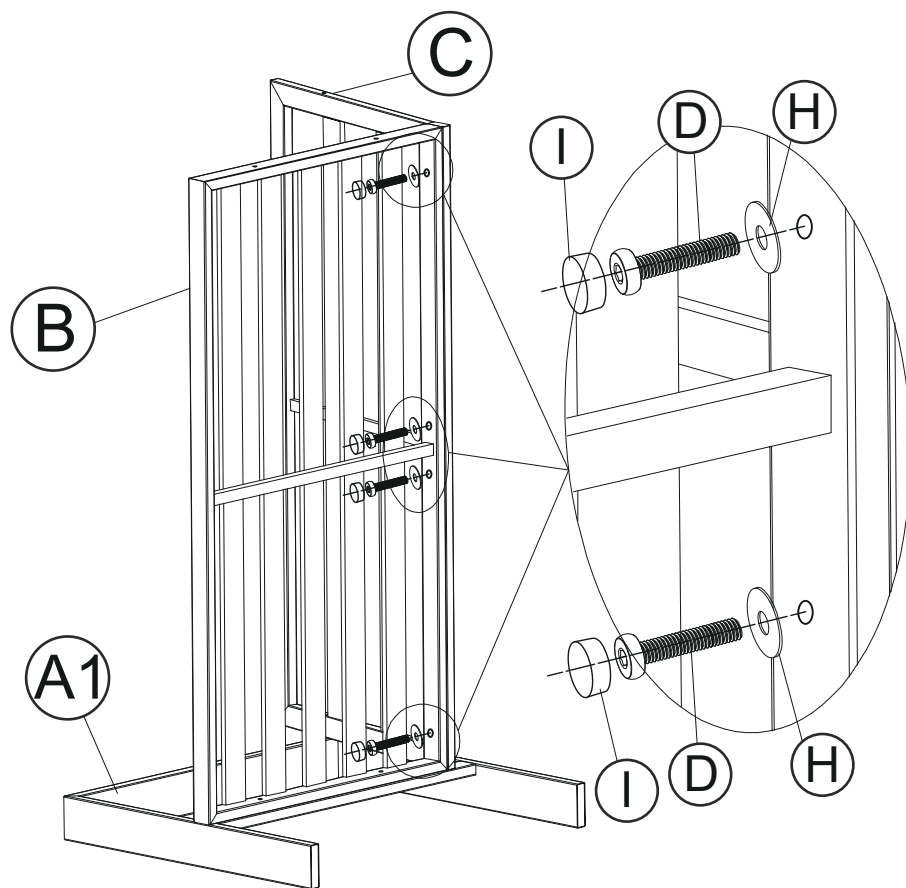
 A1	 B
1 pc	1 pc
 D	 H
M6*30 2 pcs	M6 2 pcs
 I	 J
M6 2 pcs	M6 1 pc


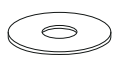


# STEP 2



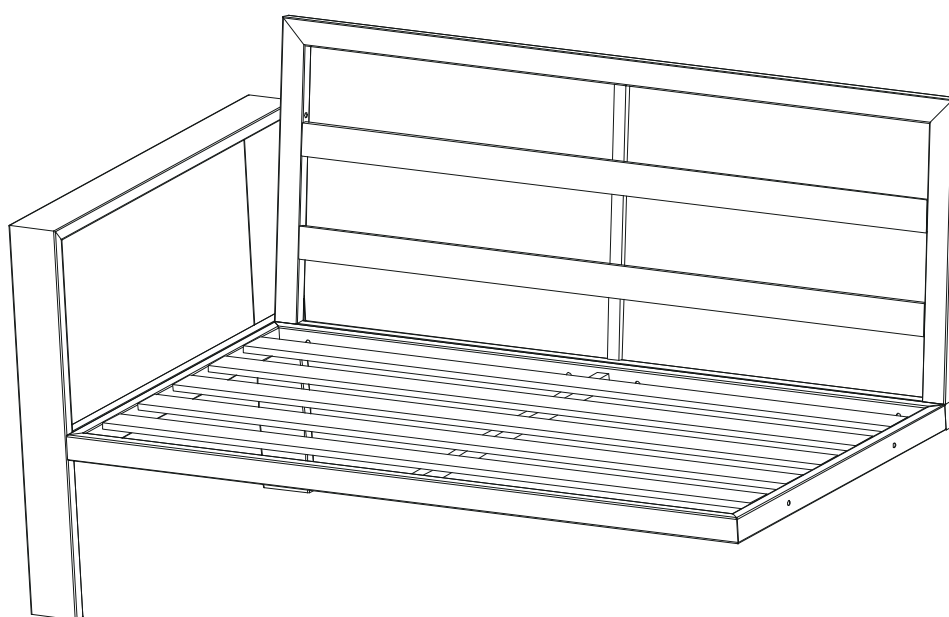
 C	 G
1 pc	M6*50 1 pc
 H	 I
M6 1 pc	M6 1 pc
	 J
	M6 1 pc

# STEP 3

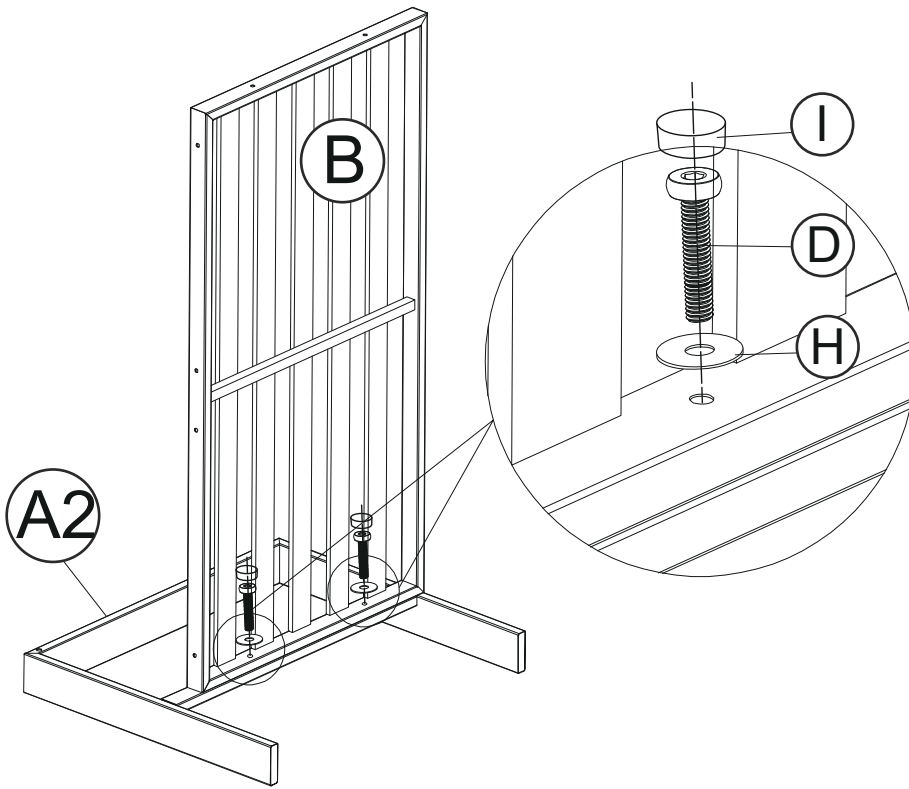


 M6*30 4 pcs	 M6 4 pcs
 M6 4 pcs	 M6 1 pc

# STEP 4

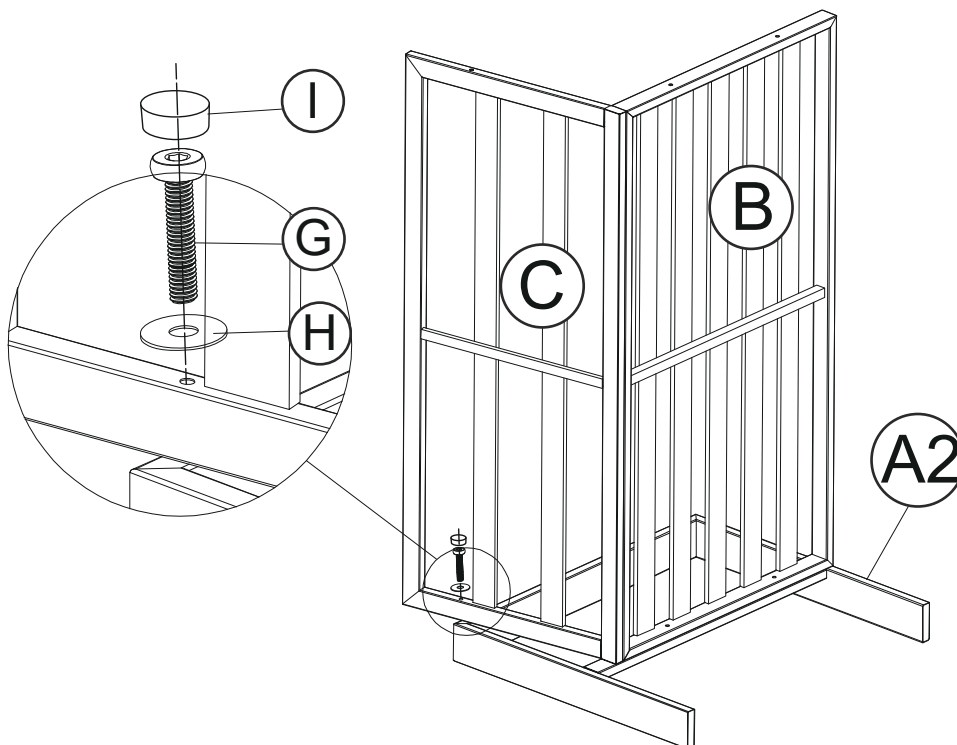


# STEP 5



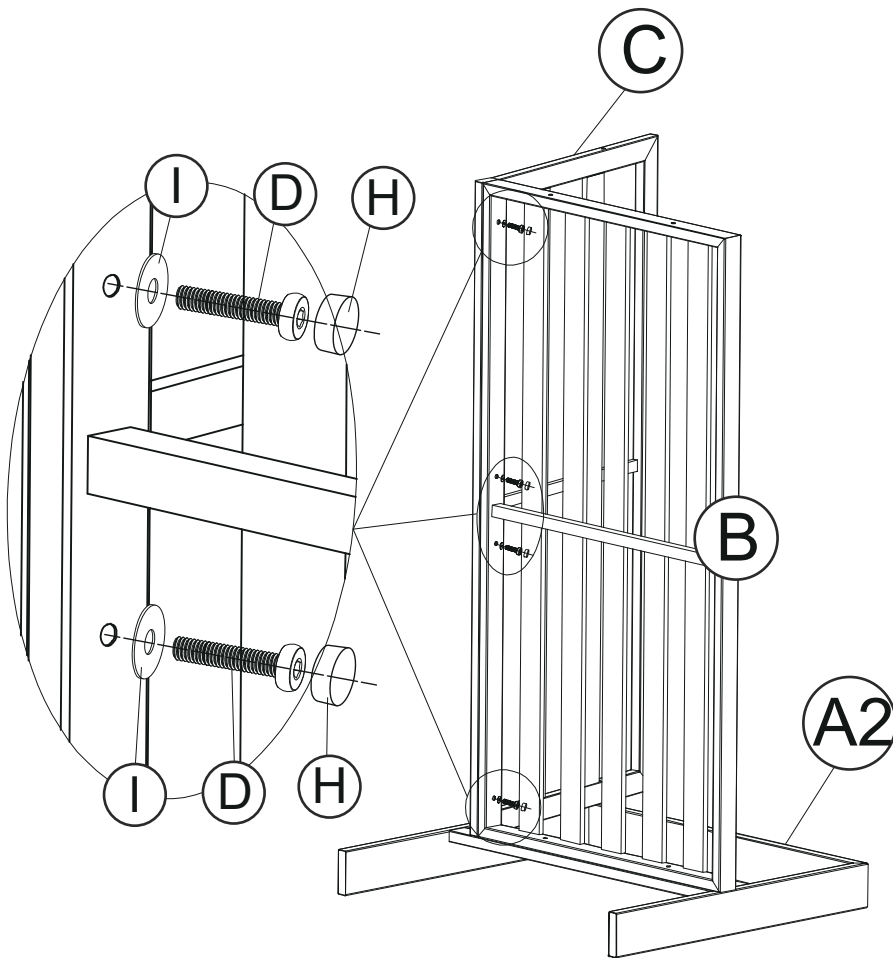
<b>(A2)</b> 	<b>(B)</b> 
1 pc	1 pc
<b>(D)</b> 	<b>(H)</b> 
M6*30 2 pcs	M6 2 pcs
<b>(I)</b> 	<b>(J)</b> 
M6 2 pcs	M6 1 pc





# STEP 6



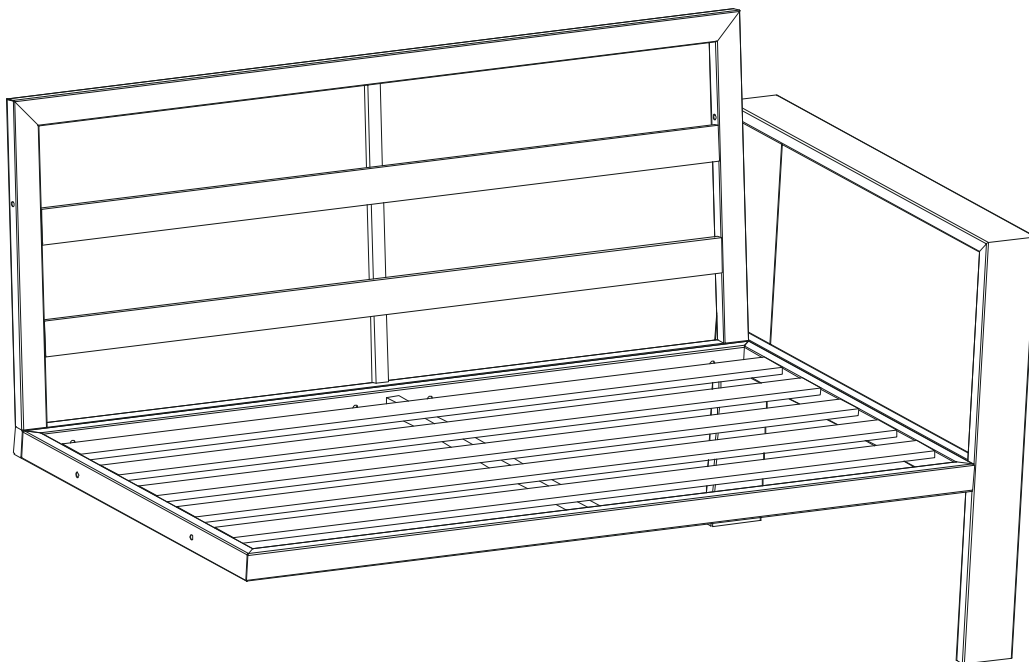
<b>(C)</b> 	<b>(G)</b> 
1 pc	M6*50 1 pc
<b>(H)</b> 	<b>(I)</b> 
M6 1 pc	M6 1 pc
	<b>(J)</b> 
	M6 1 pc

# STEP 7

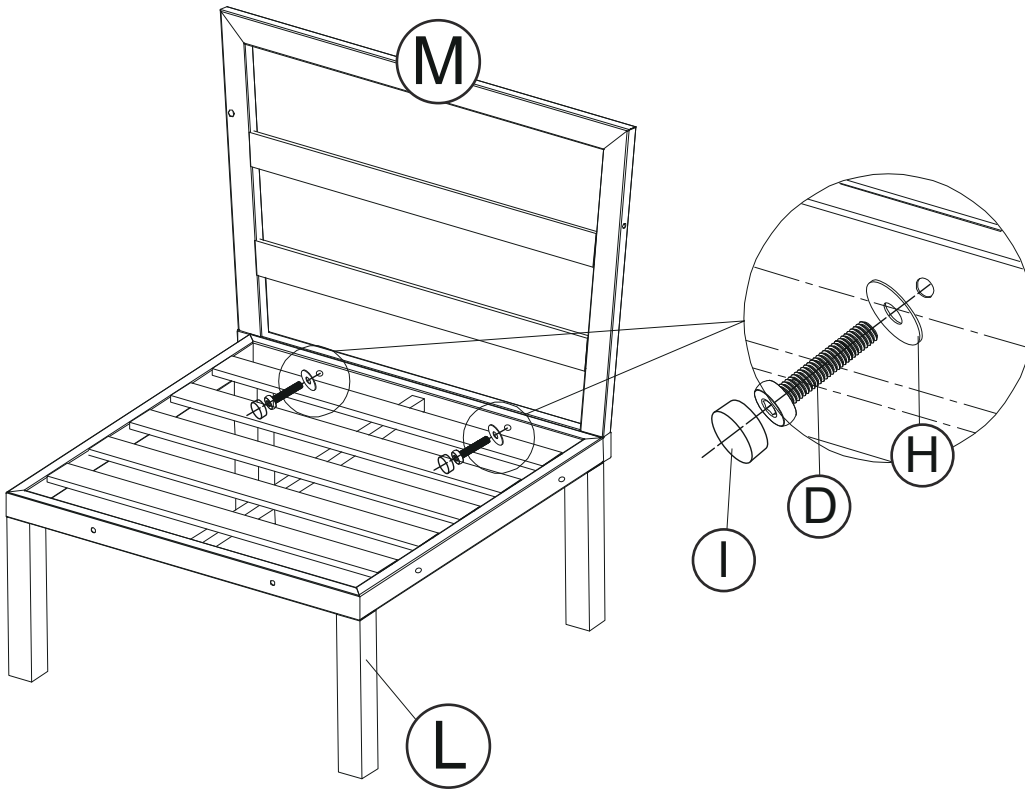


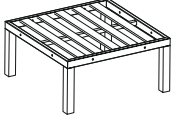





<p><b>(D)</b></p>  <p>M6*30 4 pcs</p>	<p><b>(H)</b></p>  <p>M6 4 pcs</p>
<p><b>(I)</b></p>  <p>M6 4 pcs</p>	<p><b>(J)</b></p>  <p>M6 1 pc</p>

# STEP 8

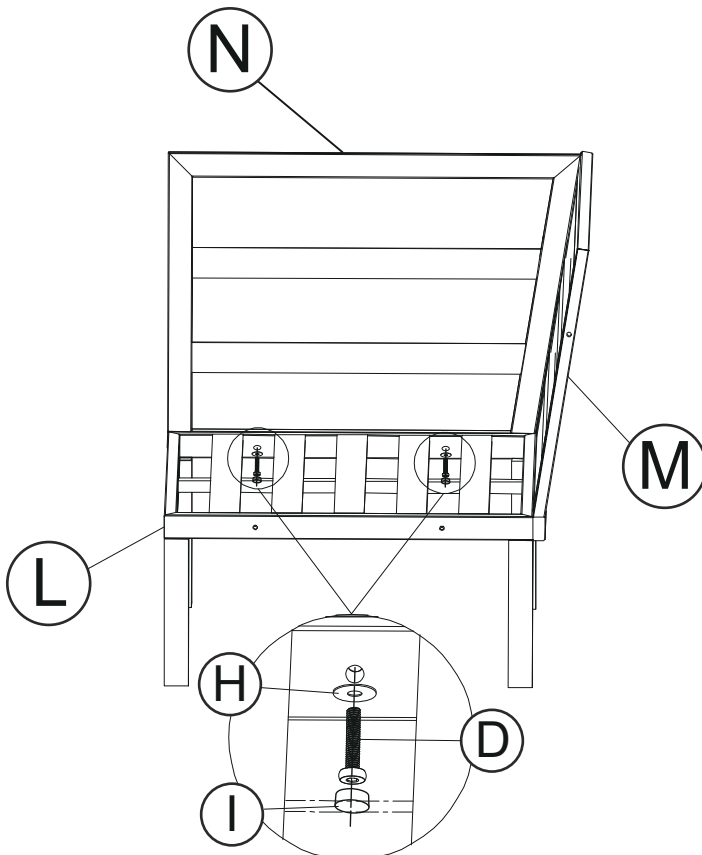


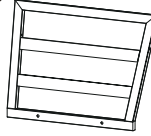




# STEP 9



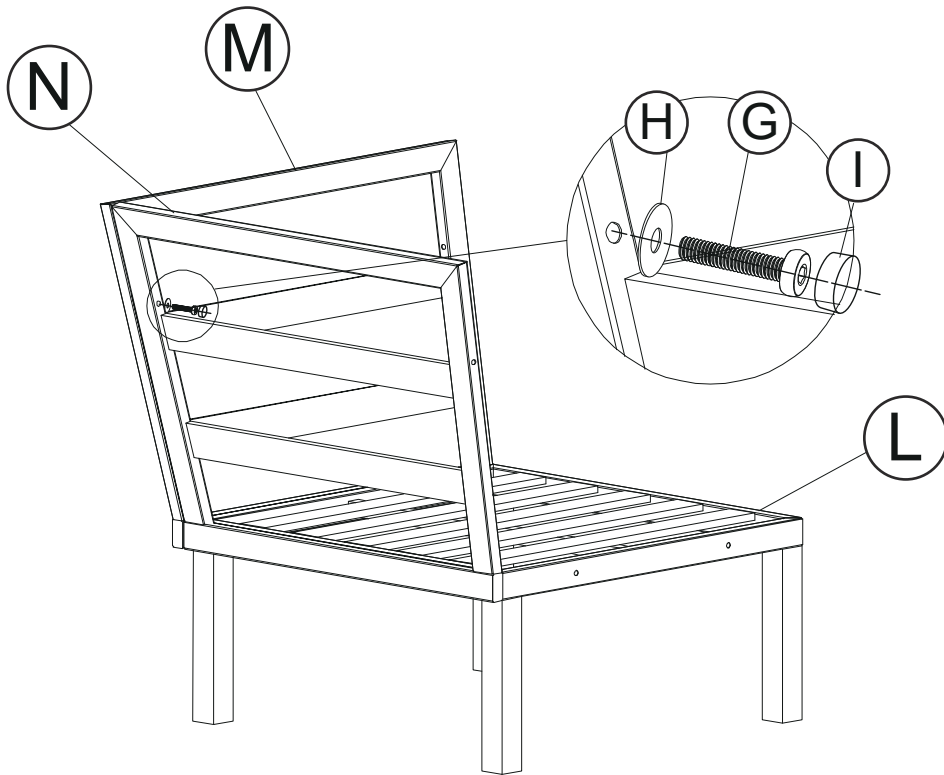
<b>L</b> 	<b>M</b> 
1 pc	1 pc
<b>D</b> 	<b>H</b> 
M6*30 2 pcs	M6 2 pcs
<b>I</b> 	<b>J</b> 
M6 2 pcs	M6 1 pc


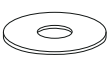


# STEP 10



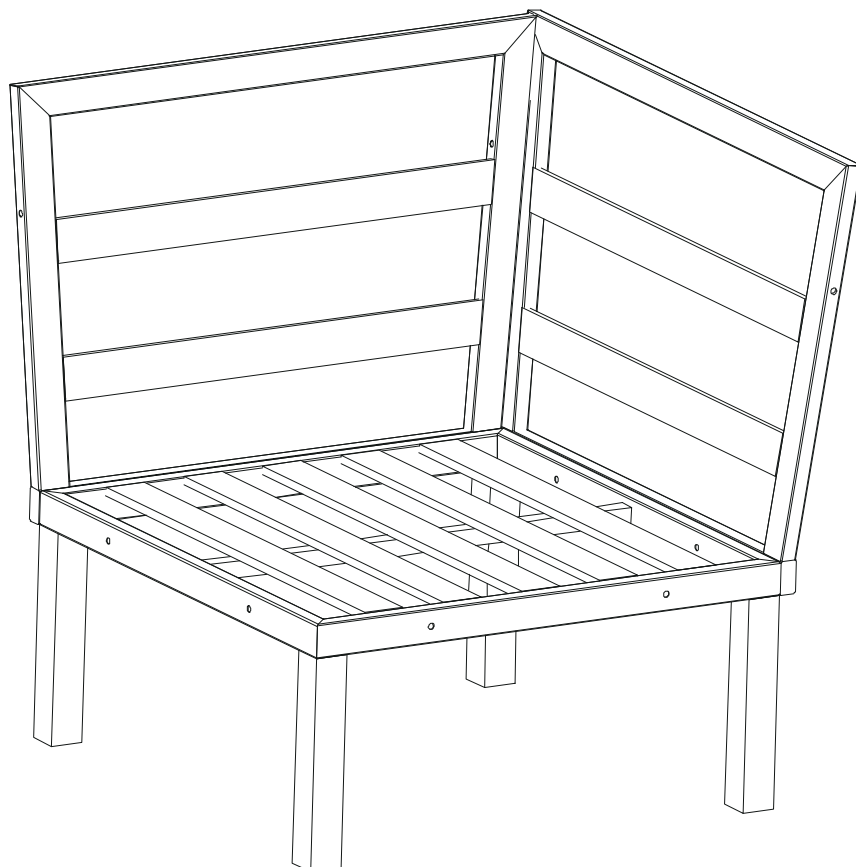
<b>N</b> 	<b>D</b> 
1 pc	M6*30 2 pcs
<b>H</b> 	<b>I</b> 
M6 2 pcs	M6 2 pcs
	<b>J</b> 
	M6 1 pc

# STEP 11

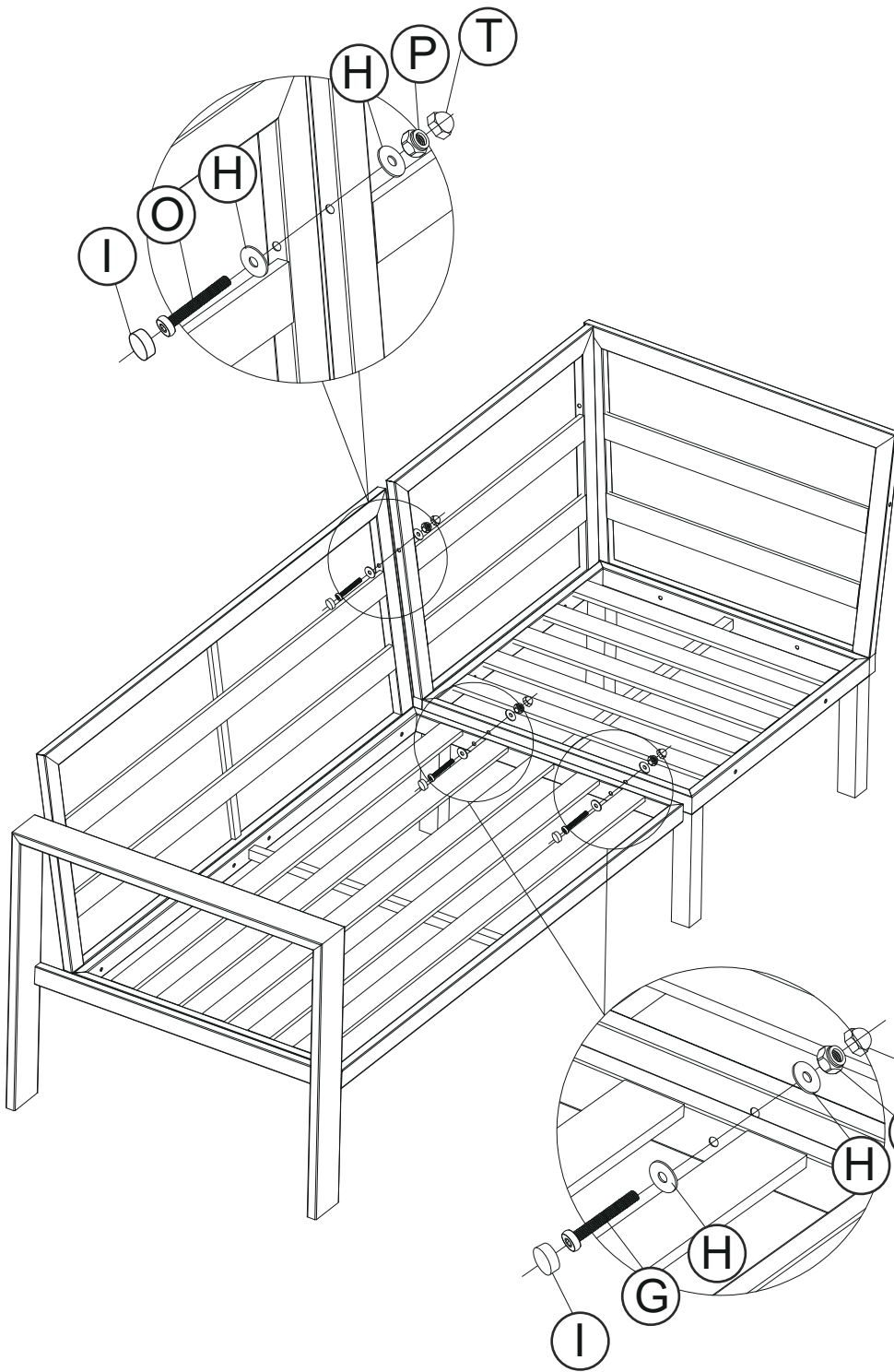




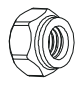



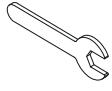

<b>G</b>  M6*50 1 pc	<b>H</b>  M6 1 pc
<b>I</b>  M6 1 pc	<b>J</b>  M6 1 pc

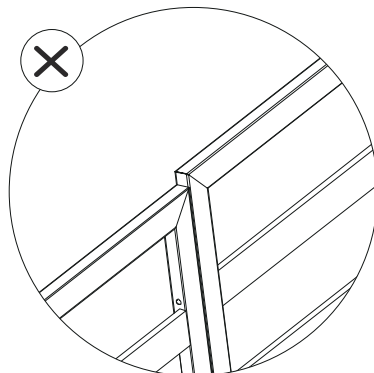
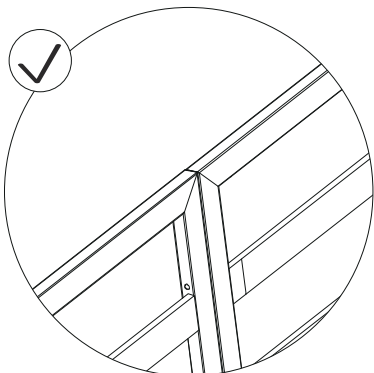
# STEP 12



# STEP 13

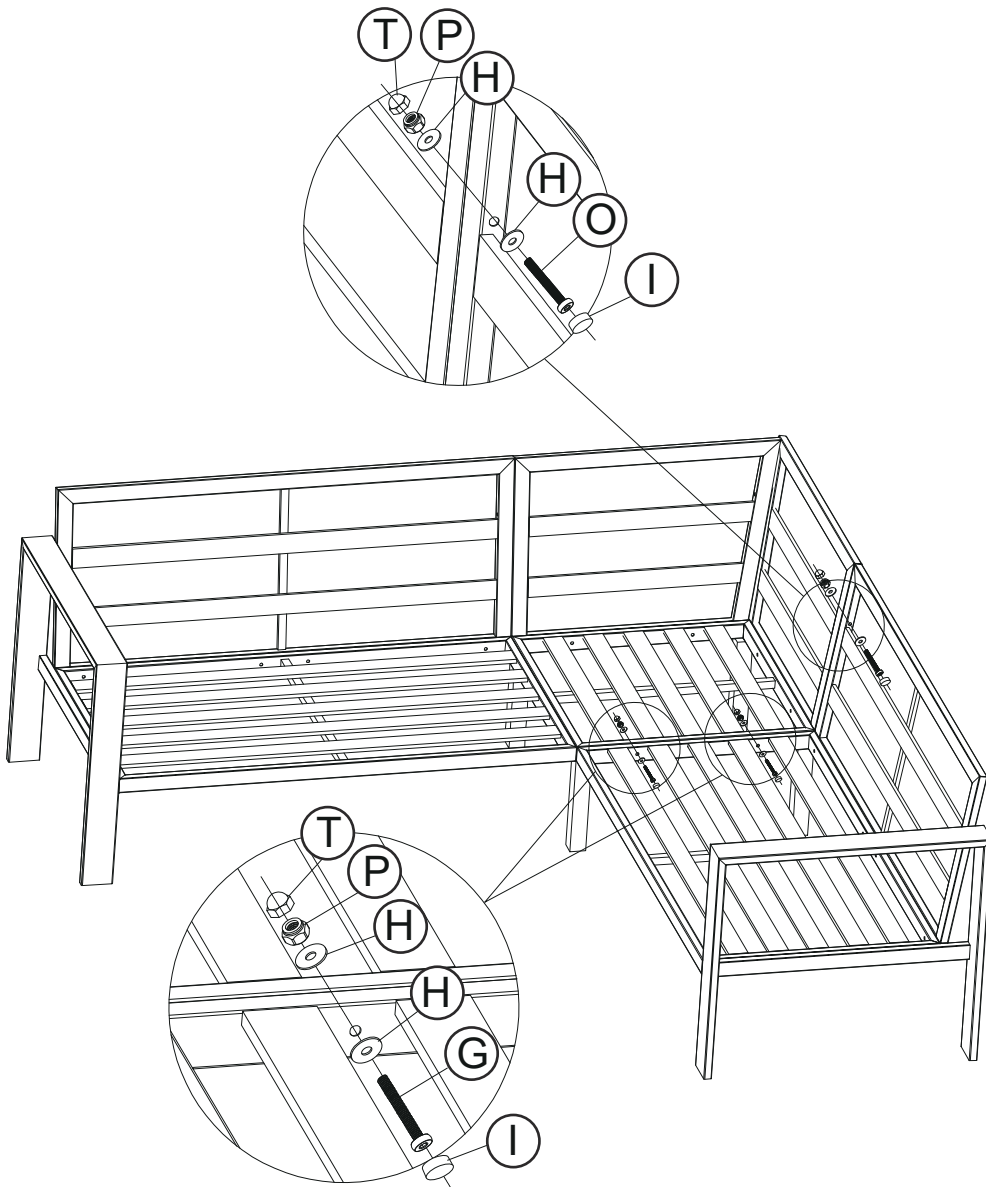




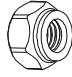



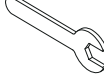

 M6*90 1 pc	 M6*50 2 pcs
 M6 3 pcs	 M6 3 pcs
 M6 3 pcs	 M6 6 pcs
 M6 1 pc	 M6 1 pc

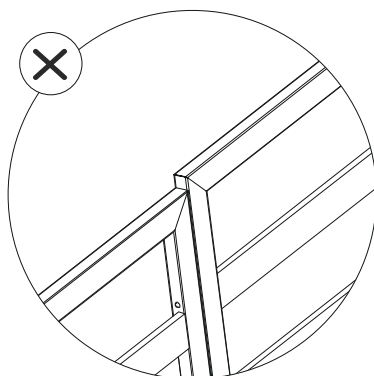
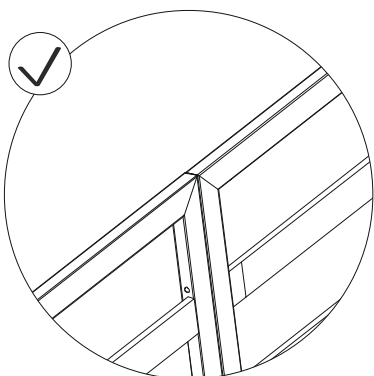


- During the installation of this part, be sure to hold the connection firmly with your hand to ensure that the two parts are precisely aligned.
- After confirming that the position is correct, use the screws to fix the operation to prevent misalignment or misalignment.

# STEP 14



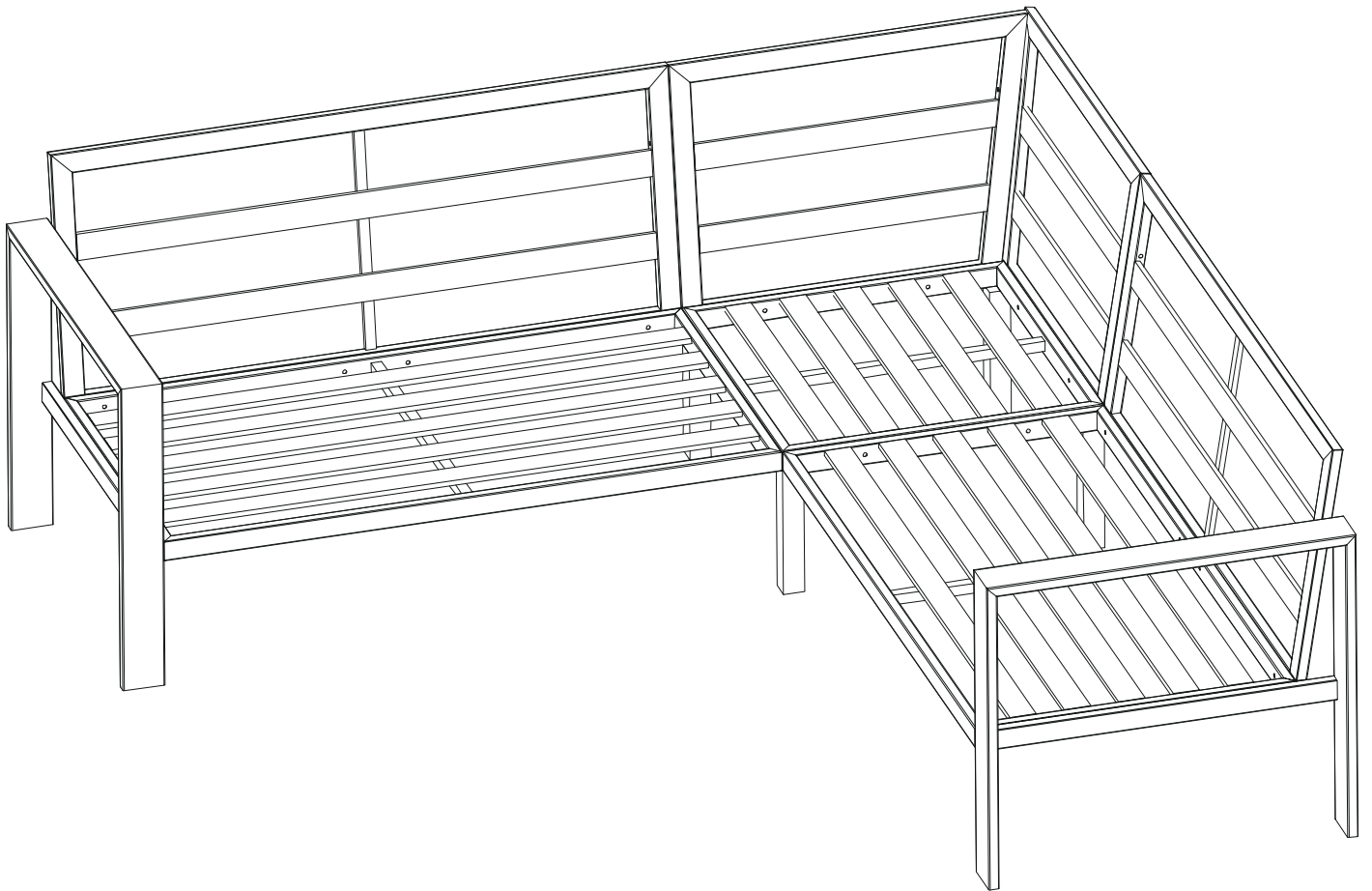
<p>Ⓞ</p>  <p>M6*90</p> <p>1 pc</p>	<p>ⓐ</p>  <p>M6*50</p> <p>2 pcs</p>
<p>Ⓟ</p>  <p>M6</p> <p>3 pcs</p>	<p>Ⓣ</p>  <p>M6</p> <p>3 pcs</p>
<p>Ⓛ</p>  <p>M6</p> <p>3 pcs</p>	<p>ⓗ</p>  <p>M6</p> <p>6 pcs</p>
<p>ⓕ</p>  <p>M6</p> <p>1 pc</p>	<p>ⓙ</p>  <p>M6</p> <p>1 pc</p>



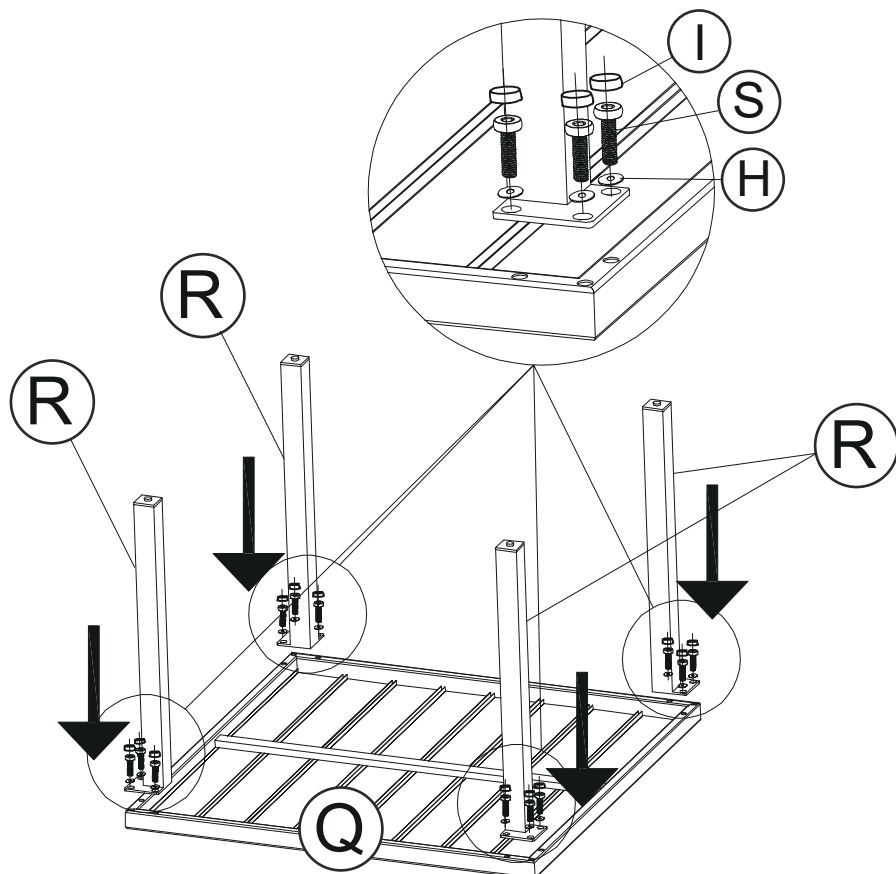
- During the installation of this part, be sure to hold the connection firmly with your hand to ensure that the two parts are precisely aligned.
- After confirming that the position is correct, use the screws to fix the operation to prevent misalignment or misalignment.

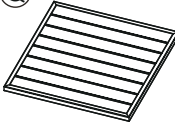

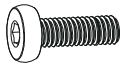
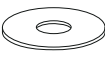


# STEP 15

---

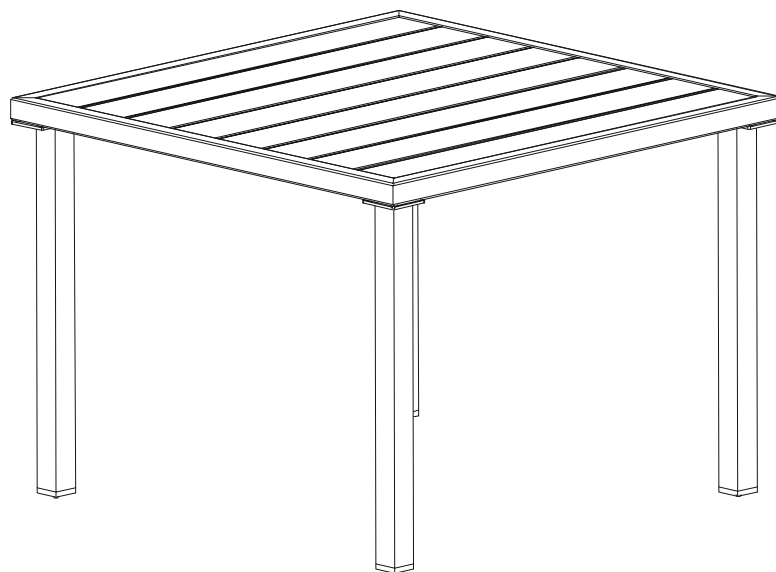


# STEP 16

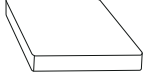
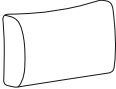
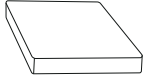
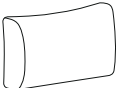



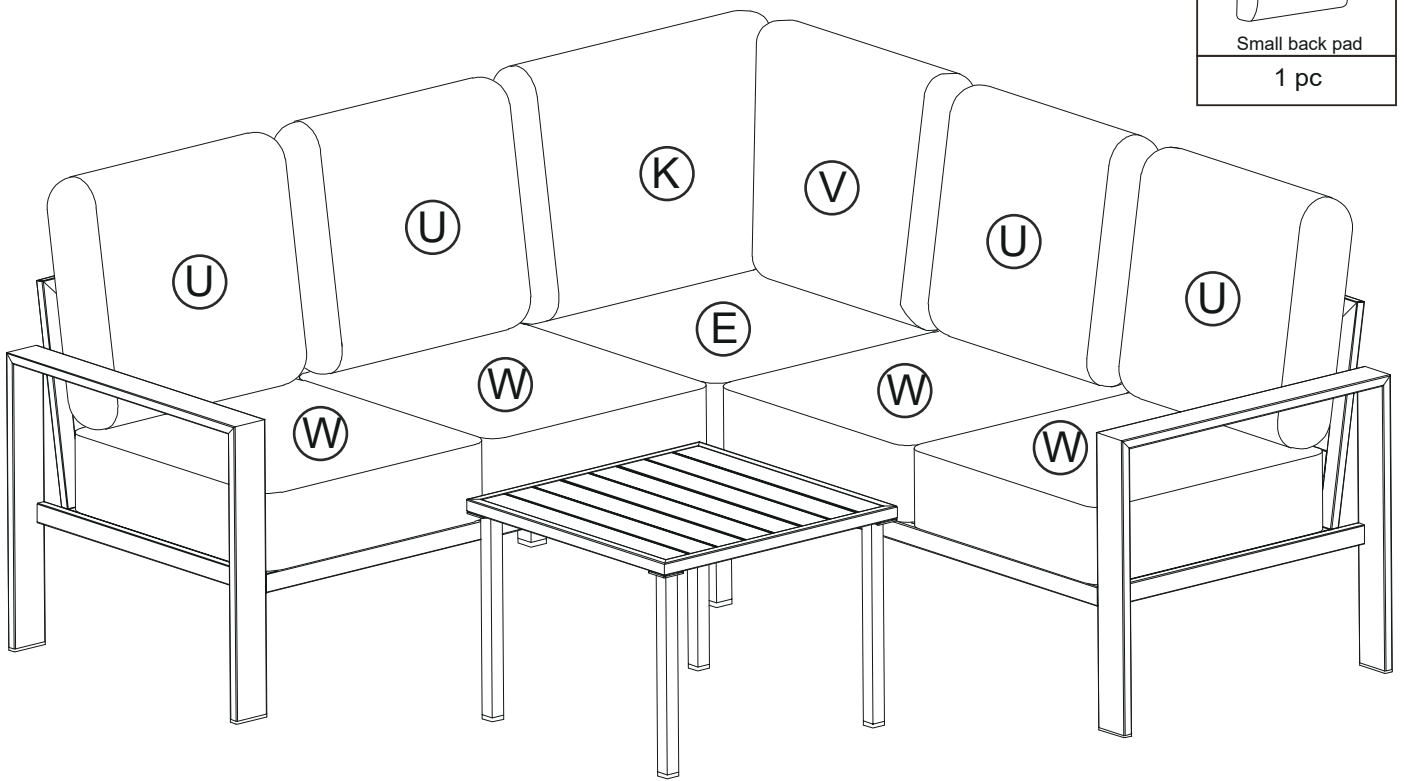
	
1 pc	4 pcs
	
M6*15	M6
12 pcs	12 pcs
	
M6	M6
12 pcs	1 pc

# STEP 17



# STEP 18

 Large cushion 1 pc	 Large back pad 1 pc
 Medium cushion 4 pcs	 Medium back pad 4 pcs
 Small back pad 1 pc	



## STEP 19

---

**The installation is complete.**

**Make sure all the screws are fully tighten.**

