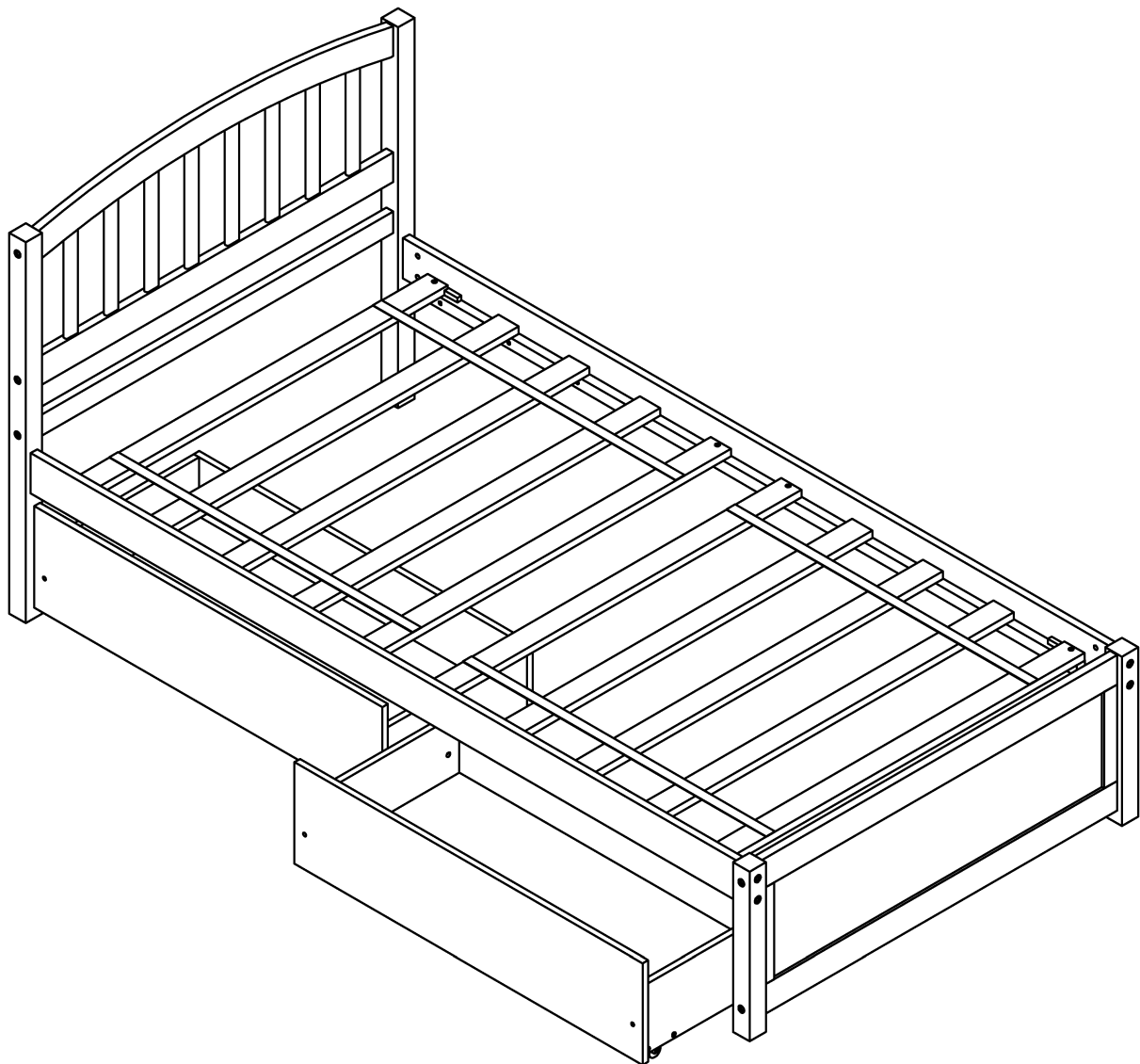
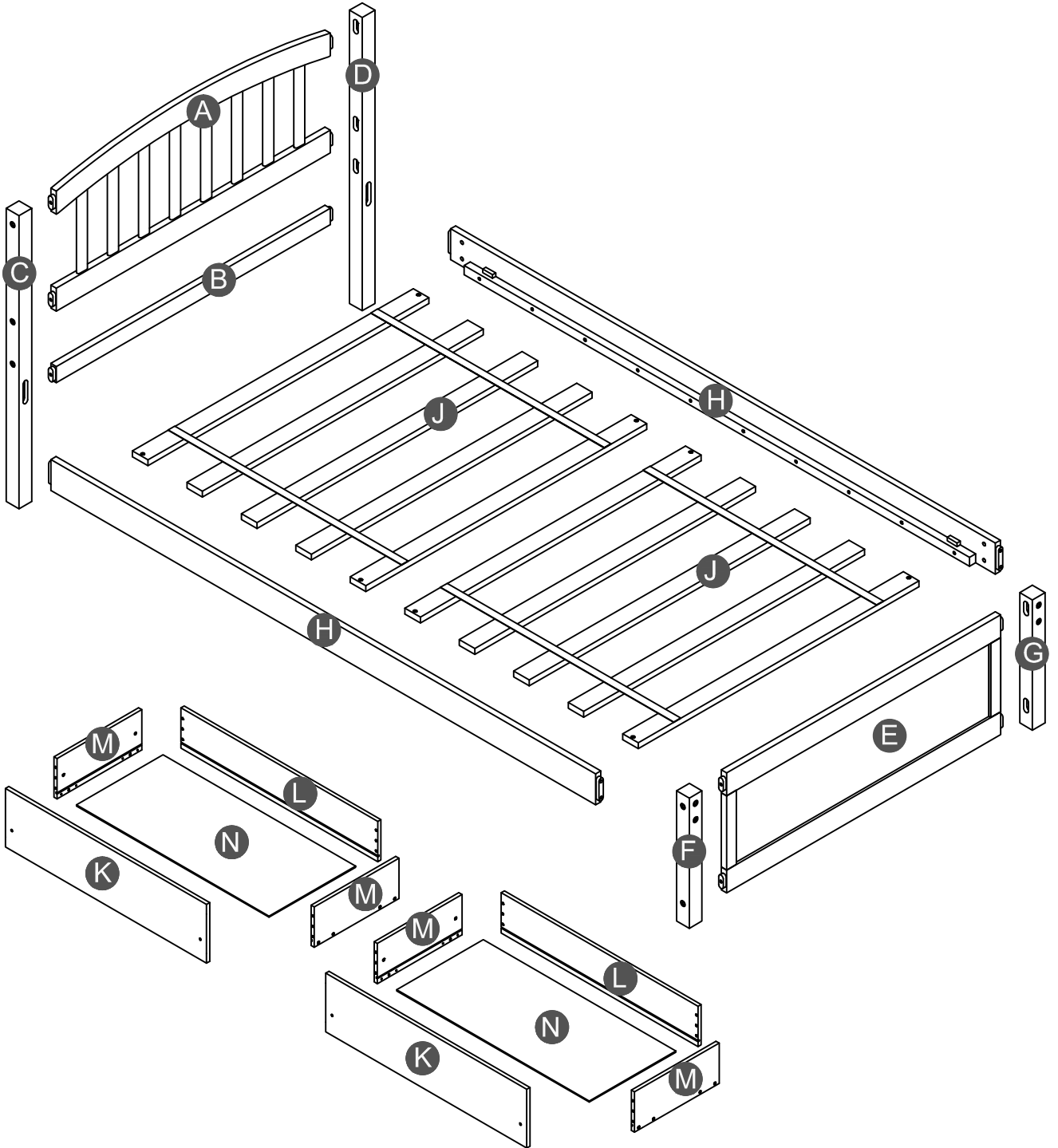


ASSEMBLY INSTRUCTIONS

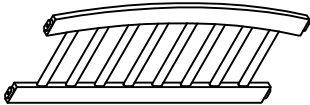
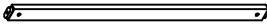
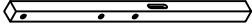
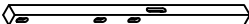
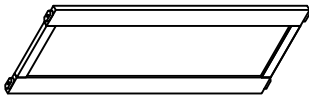
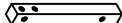
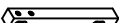
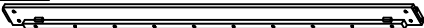
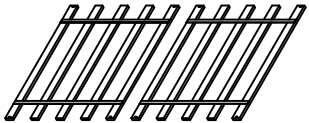

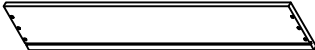


TWIN BED WITH DRAWER



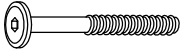
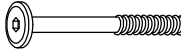


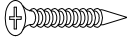
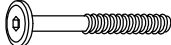
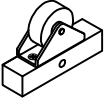
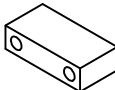
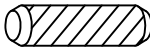

Detail View



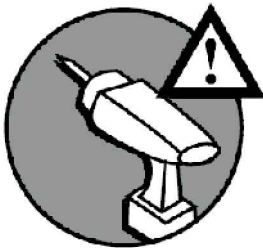
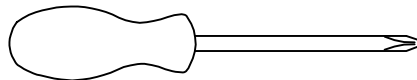
Part List

| | | |
|---|---|--|
| <p>A</p>  <p>Headboard - 1pc</p> | <p>B</p>  <p>Horizontal bar - 1pc</p> | <p>C</p>  <p>Leg headboard(Left) - 1pc</p> |
| <p>D</p>  <p>Leg headboard(Right) - 1pc</p> | <p>E</p>  <p>Footboard - 1pc</p> | <p>F</p>  <p>Leg footboard(Right) - 1pc</p> |
| <p>G</p>  <p>Leg footboard(Left) - 1pc</p> | <p>H</p>  <p>Side rail - 2pcs</p> | <p>J</p>  <p>Slat - (10pcs)</p> |
| <p>K</p>  <p>Drawer front - 2pcs</p> | <p>L</p>  <p>Drawer back - 2pcs</p> | <p>M</p>  <p>Drawer (Left / Right)- 4pcs</p> |
| <p>N</p>  <p>Drawer bottom - 2pcs</p> | | |

Hardware List

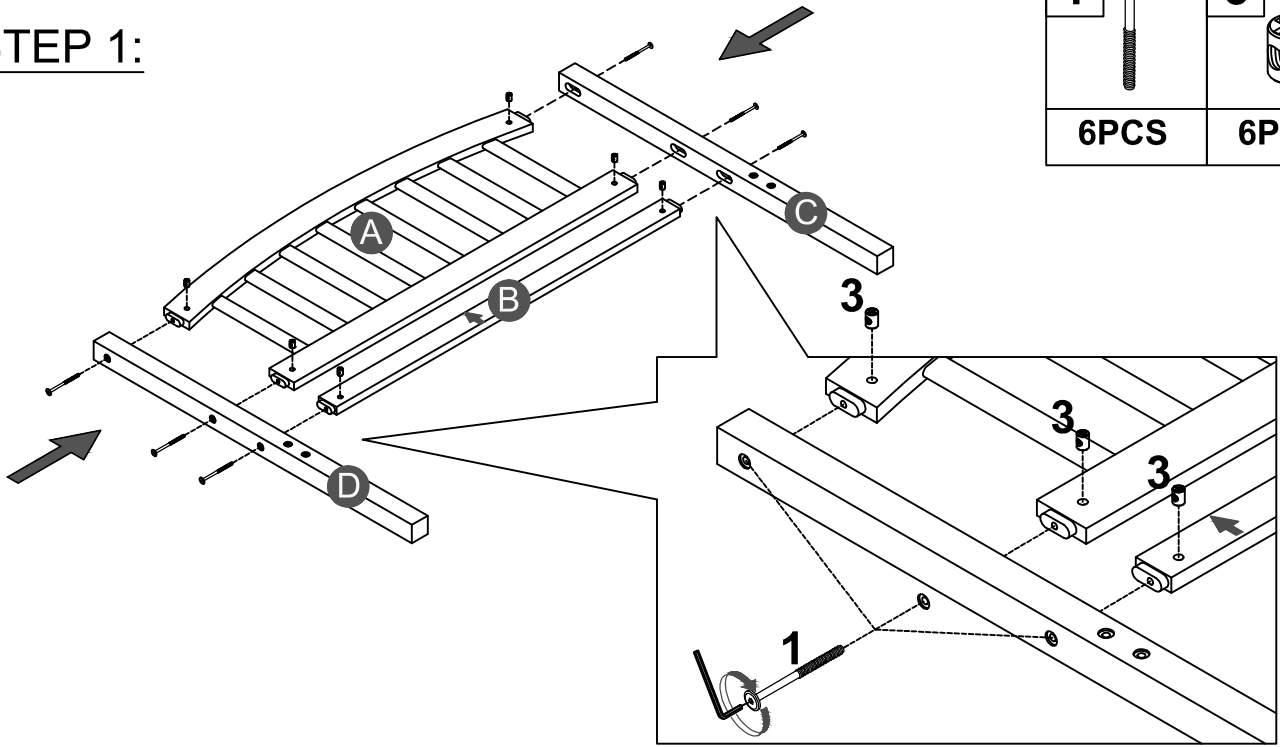
| | | |
|---|--|--|
| 1  (Ø15)1/4"*80mm Hex-Head bolts (10pcs) | 2  (Ø15)1/4"*100mm Hex-Head bolts (8pcs) | 3  1/4"*15 (9.5mm) Horizontal-Hole bolts(26pcs) |
| 4  (1/4")4.5*58mm Allen key (1pc) | 5  Ø4*30mm Wood screws (30pcs) | 6  (Ø12)1/4"*60mm Hex-Head bolts (8pcs) |
| 7  100*54*20 mm Wheels (8pcs) | 8  70*35*19 mm Wood support drawer (3pcs) | 9  Ø8*30mm Wood dowel (16pcs) |
| 10  Ø10*20mm Wood dowel (8pcs) | | |

ASSEMBLY TOOLS REQUIRED (NOT INCLUDED)

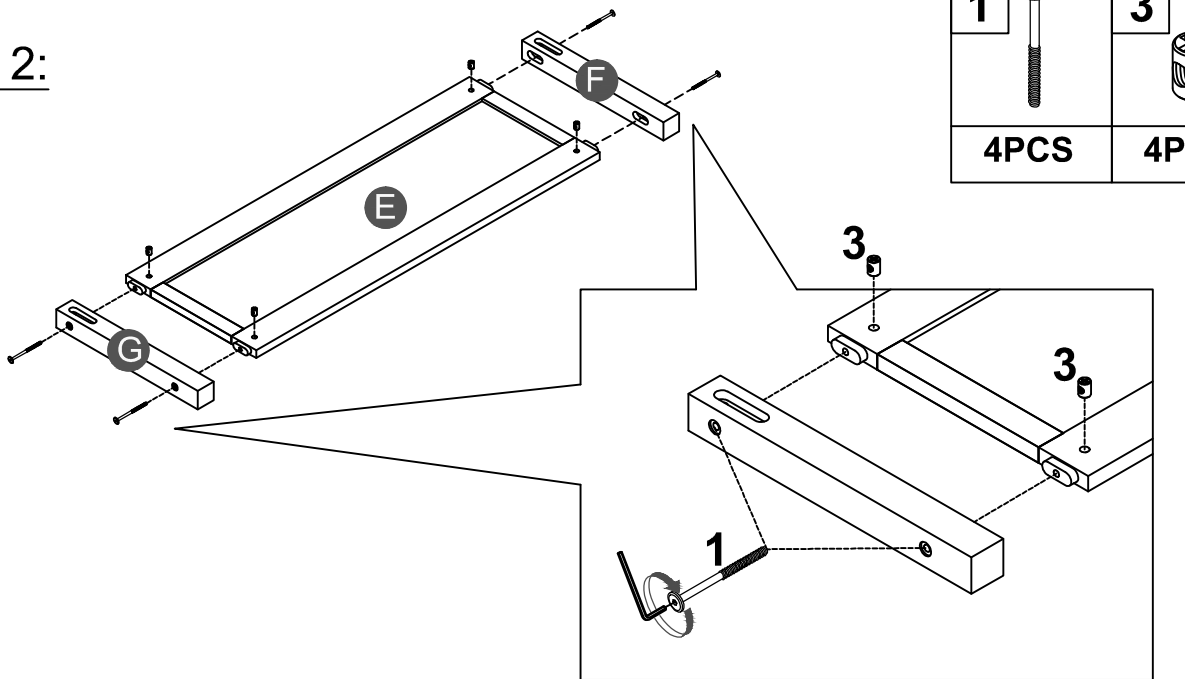


PLEASE BE CAREFUL DO NOT DAMAGE THE HOLE POSITION WHEN YOU USE POWER TOOLS !

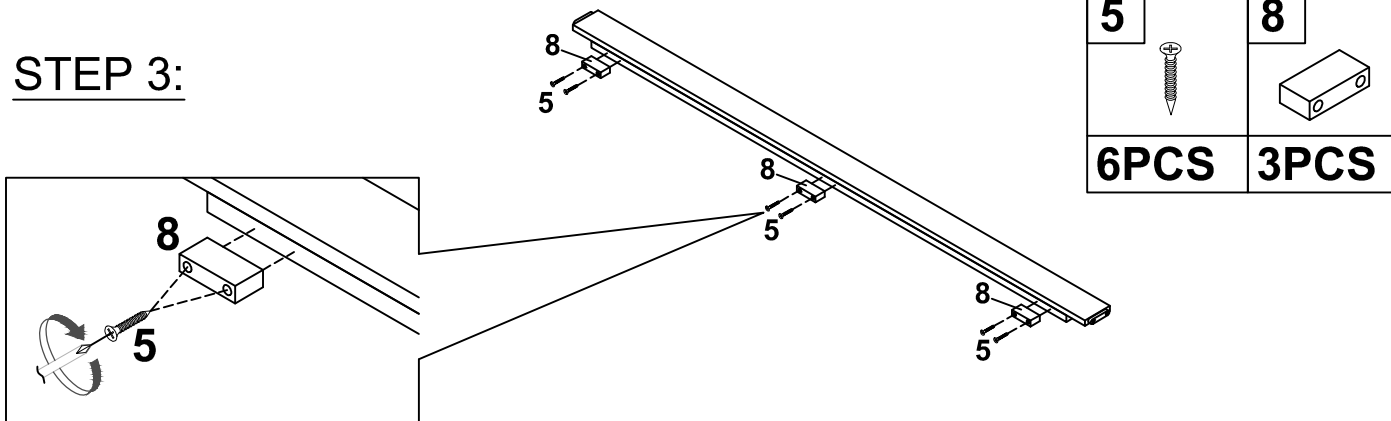
STEP 1:



STEP 2:





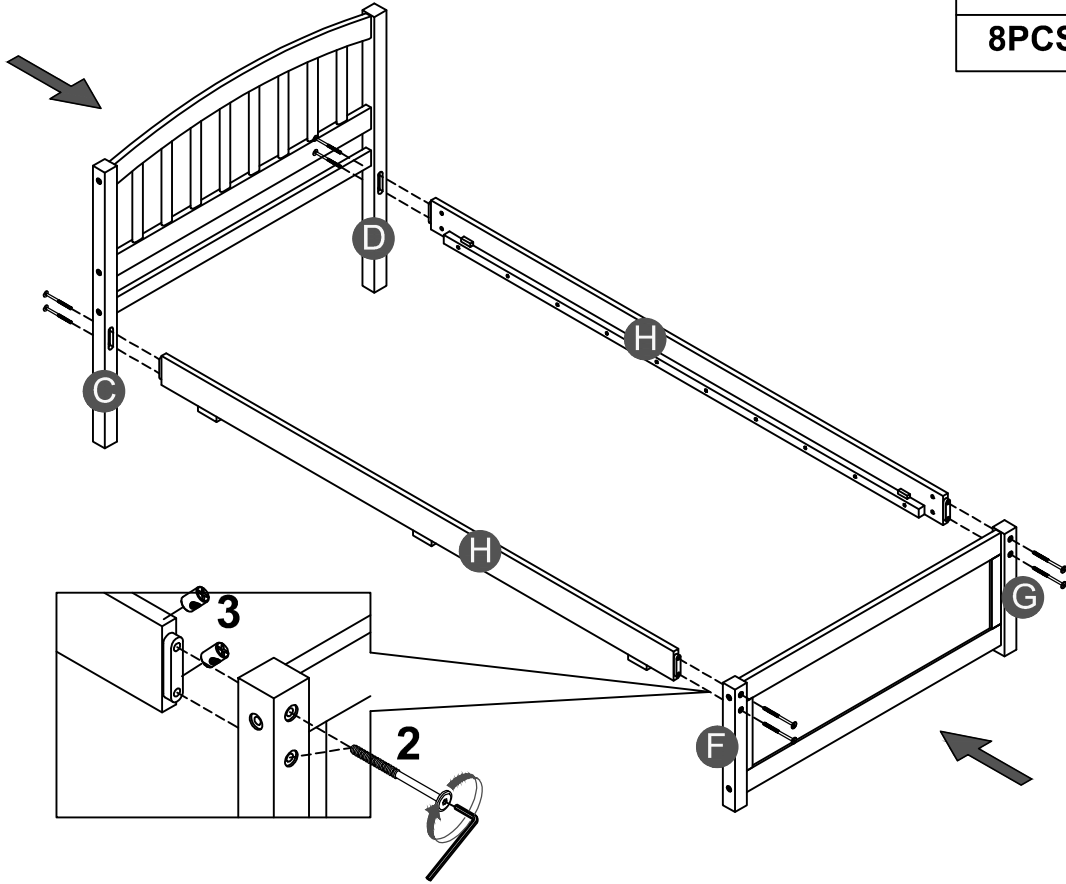
STEP 3:




Wood support drawer (8) with side rail(front) by using screw (5).

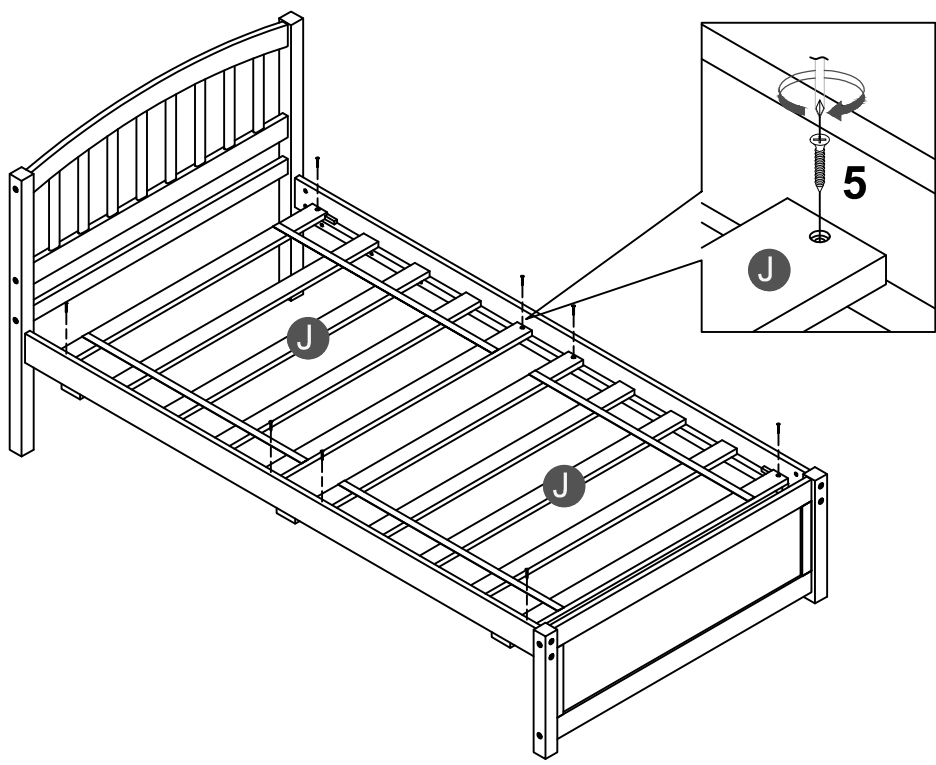
STEP 4:

| | | | |
|-------------|--|-------------|---|
| 2 |  | 3 |  |
| 8PCS | | 8PCS | |

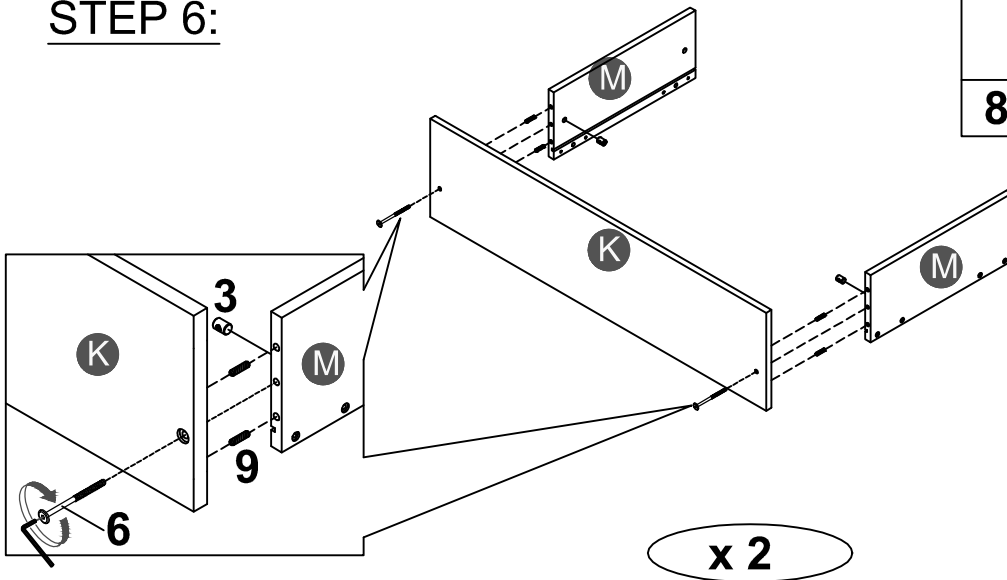


STEP 5:

| | |
|-------------|---|
| 5 |  |
| 8PCS | |

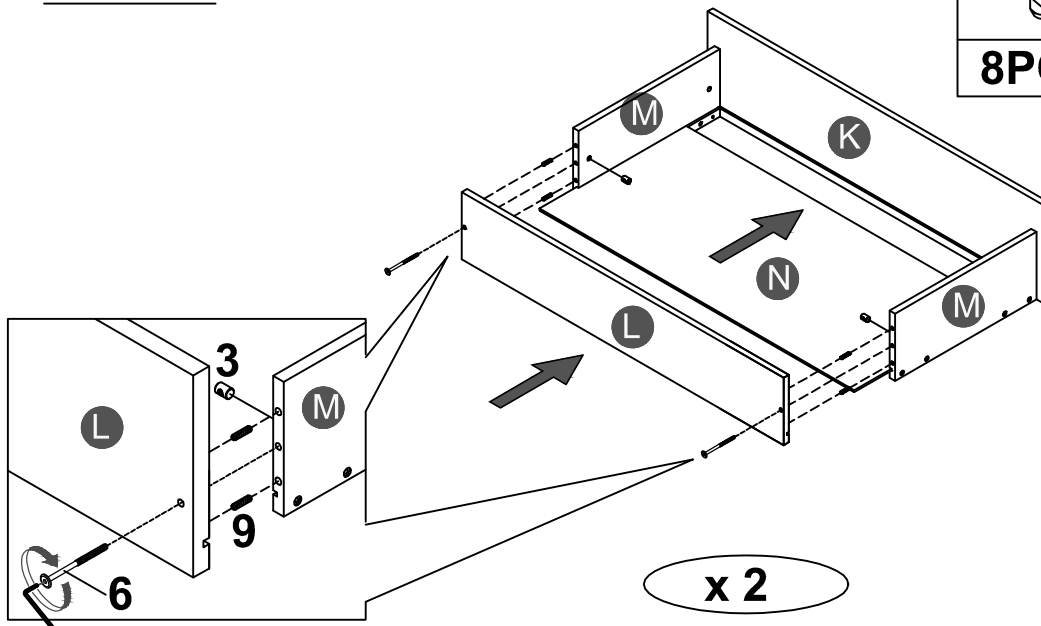


STEP 6:



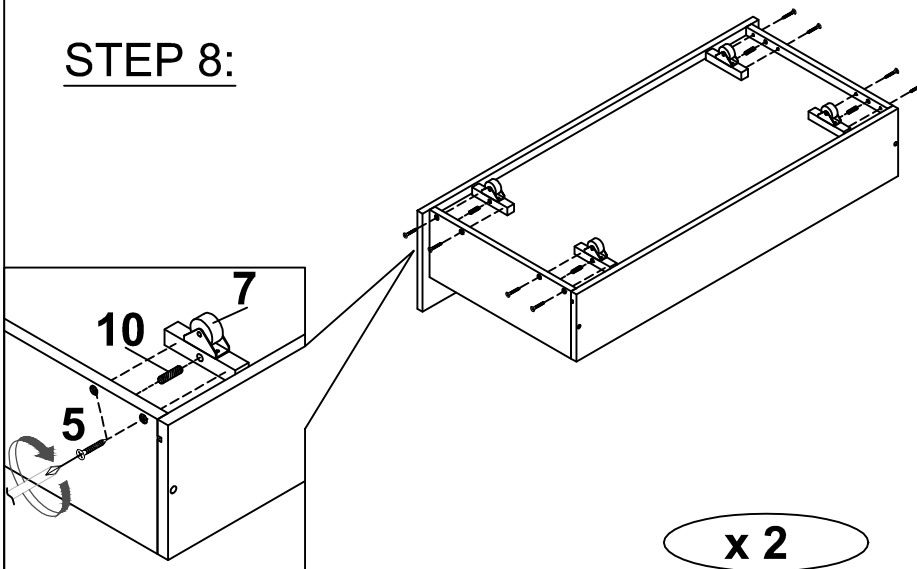
| | | | | | |
|-------------|--|-------------|--|-------------|--|
| 9 | | 3 | | 6 | |
| 8PCS | | 4PCS | | 4PCS | |

STEP 7:

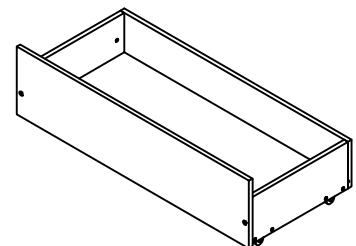


| | | | | | |
|-------------|--|-------------|--|-------------|--|
| 9 | | 3 | | 6 | |
| 8PCS | | 4PCS | | 4PCS | |

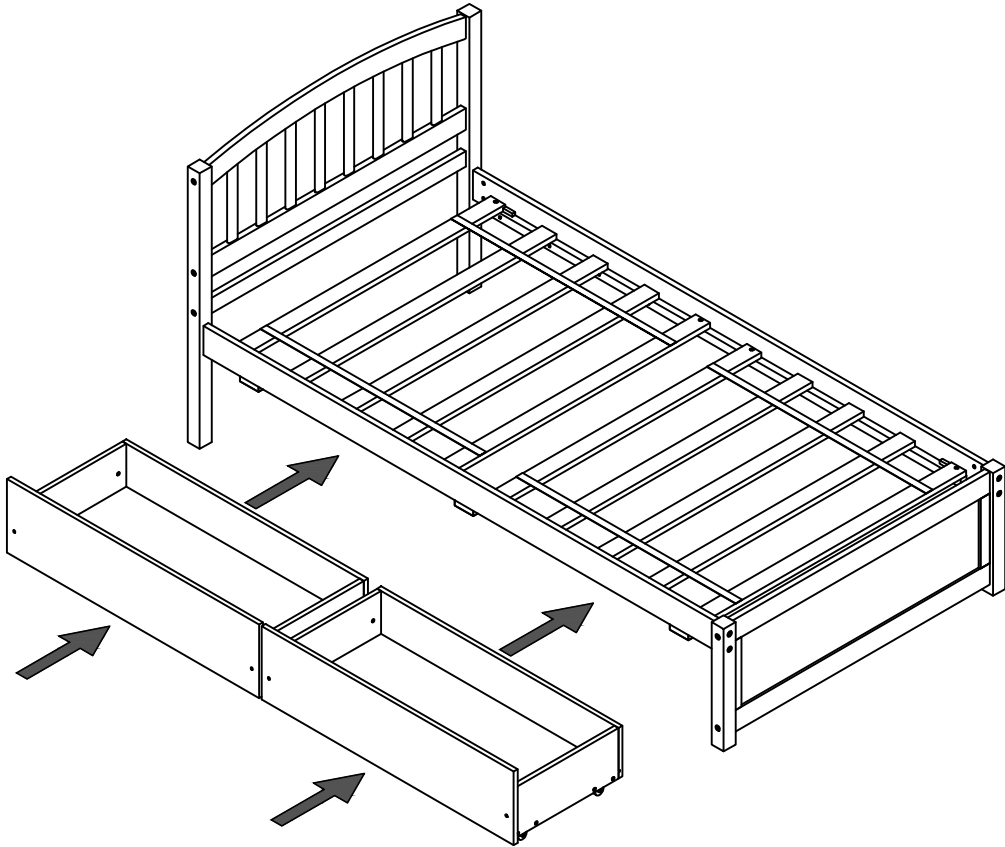
STEP 8:



| | | | | | |
|-------------|--|--------------|--|-------------|--|
| 10 | | 5 | | 7 | |
| 8PCS | | 16PCS | | 8PCS | |



STEP 9:



Push Drawer under the bottom of Twin Bed.

