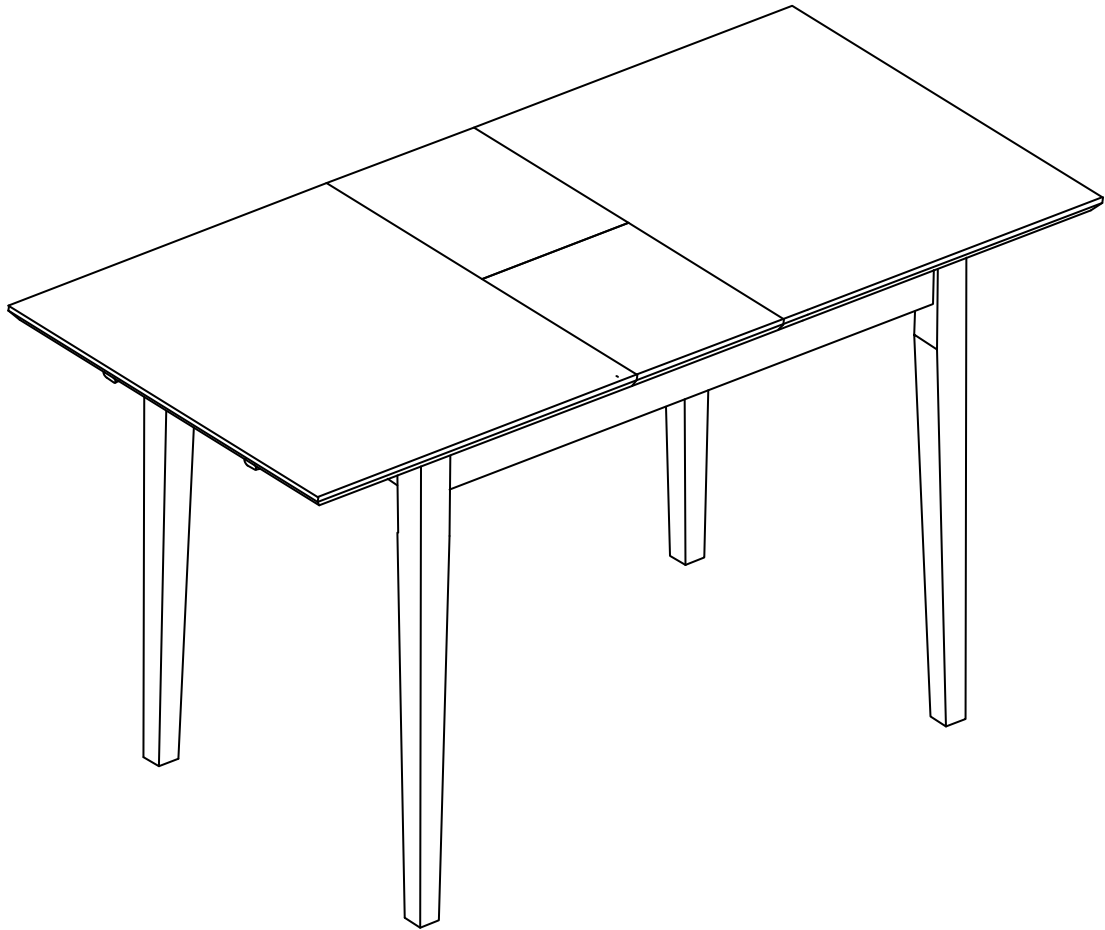


# ASSEMBLY INSTRUCTIONS

---



## BEFORE ASSEMBLY

Thank you for purchasing this quality product. This product has been designed for easy assembly and constructed for durability. All parts were checked prior to packaging to insure quality. Prior to beginning assembly, however, make sure all parts and hardware are included and free of obvious defect. If a part is missing or defective, please contact the store where purchased. If hardware is missing, or you need help with assembly, please call us.

### **IMPORTANT NOTE:**

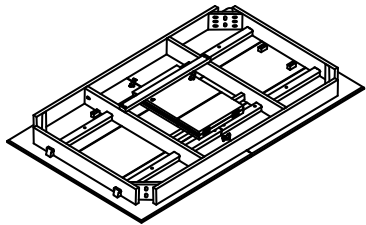
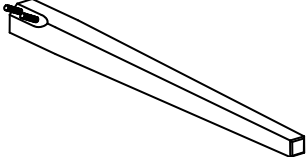
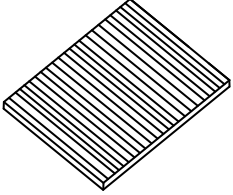
- Place all wooden parts on a clean and smooth surface such as a rug or carpet to avoid the parts from being scratched.
- Remove all wrapping material, including staples & packing straps before you start to assemble.
- DO NOT tighten all screws and bolts until completely assembled.
- Keep all hardware parts out of reach of children.

### **WARNING:**

Long exposure to rubber or soft plastic may cause a chemical reaction and damage the finish of your table. Protect the surface of the table with cloth if you are using any product with rubber feet or base.

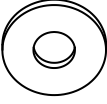



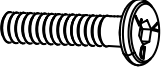


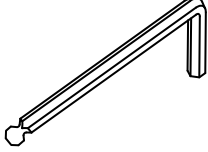
## PART LIST

When unpacking, please be careful not to discard any parts with the packaging. Before continuing, please make sure you have the following parts:

NO	Description	Qty	Sketch	NO	Description	Qty	Sketch
A	Top	1		B	Leg	4	
C	Plywood gauge	1					

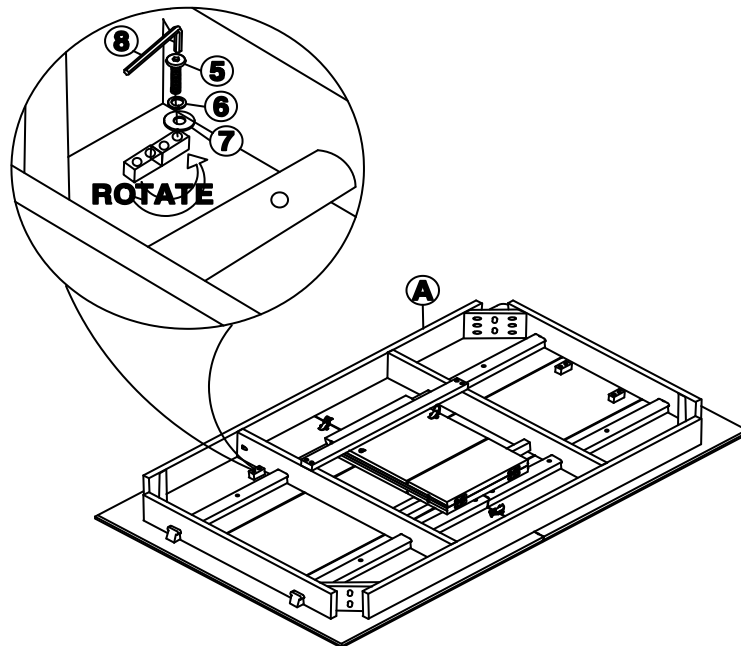
## HARDWARE LIST

When unpacking, please be careful not to discard any parts with the packaging. Before continuing, please make sure you have all of the following hardware:

NO	Description	Qty	Sketch	NO	Description	Qty	Sketch
1	Large Flat washer (2 x $\phi$ 8.5 x 19mm)	8		2	Large Lock washer ( $\phi$ 8.5 x 13mm)	8	
3	Hexagon nut (M8 x 13mm)	8		4	Wrench (M13mm)	1	
5	Short bolt (M6 x 35mm)	4		6	Small Lock washer ( $\phi$ 6.5 x 11mm)	4	
7	Small Flat washer ( $\phi$ 6.5 x 19mm)	4		8	Allen Key (M4 x 30mm x 110mm)	1	

## STEP 1

Twist the wood stopper, and attach to the top (A) with bolts (5), and washers (6) and (7) as shown below. Tighten with the Allen key (8).

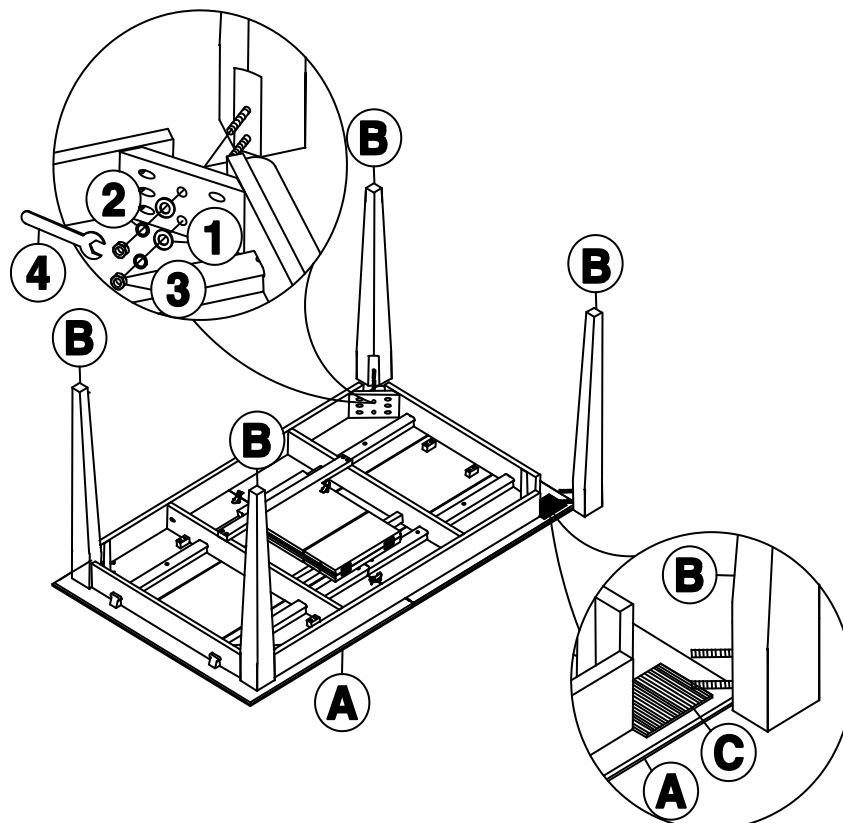


## STEP 2

Place the plywood gauge (C) on the top (A) as shown below.

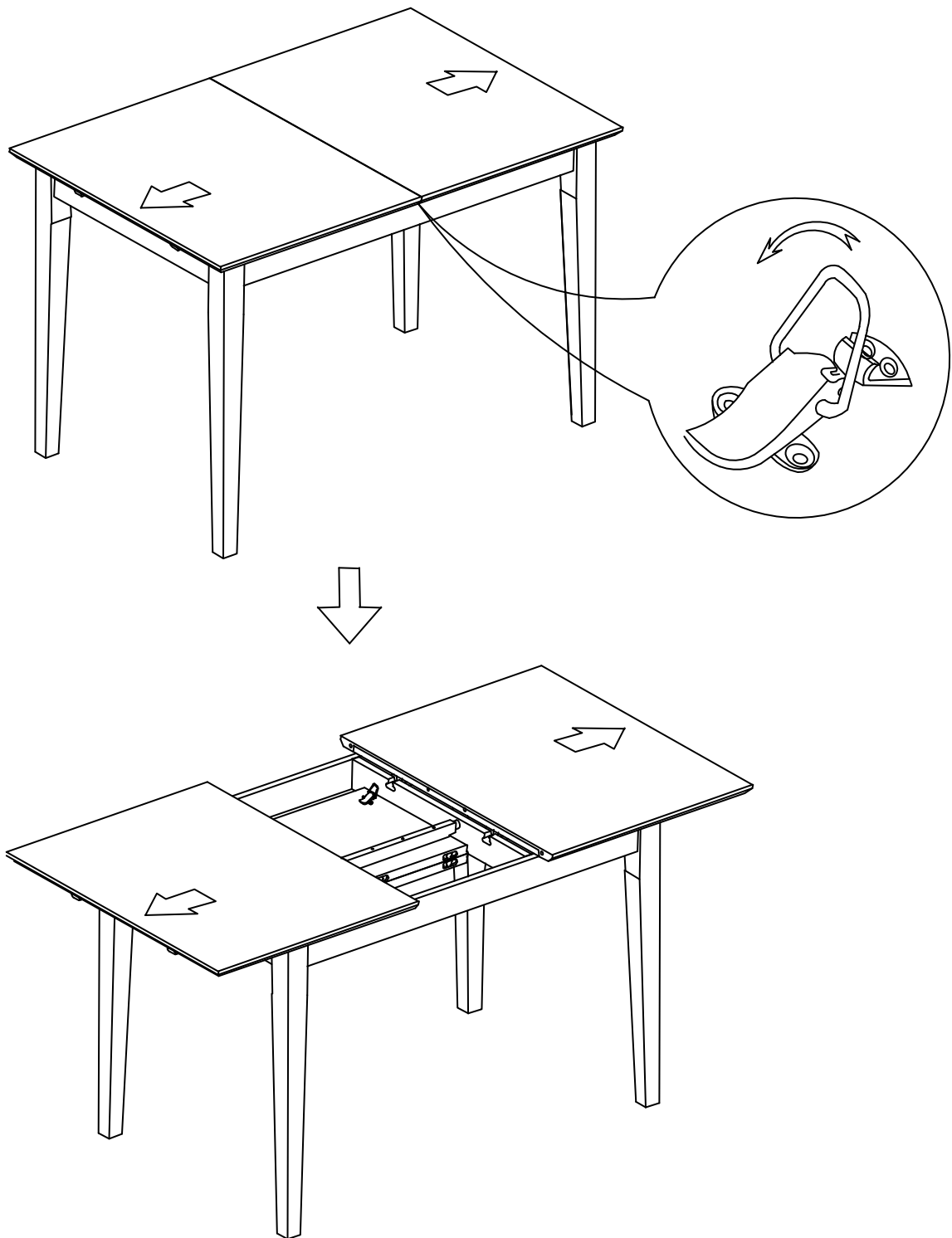
Attach legs (B) to the top (A) with washers (1) and (2), and nuts (3). Tighten with the wrench (4).

**Note: THE PLYWOOD GAUGE (C) HAS TO BE REMOVED AFTER EACH LEG IS SECURELY TIGHTENED. USE THE GAUGE TO ATTACH EACH AND EVERY LEG.**



## STEP 3

Unlock the table top from both sides underneath the top as shown below.  
Pull the two parts of the table top apart.



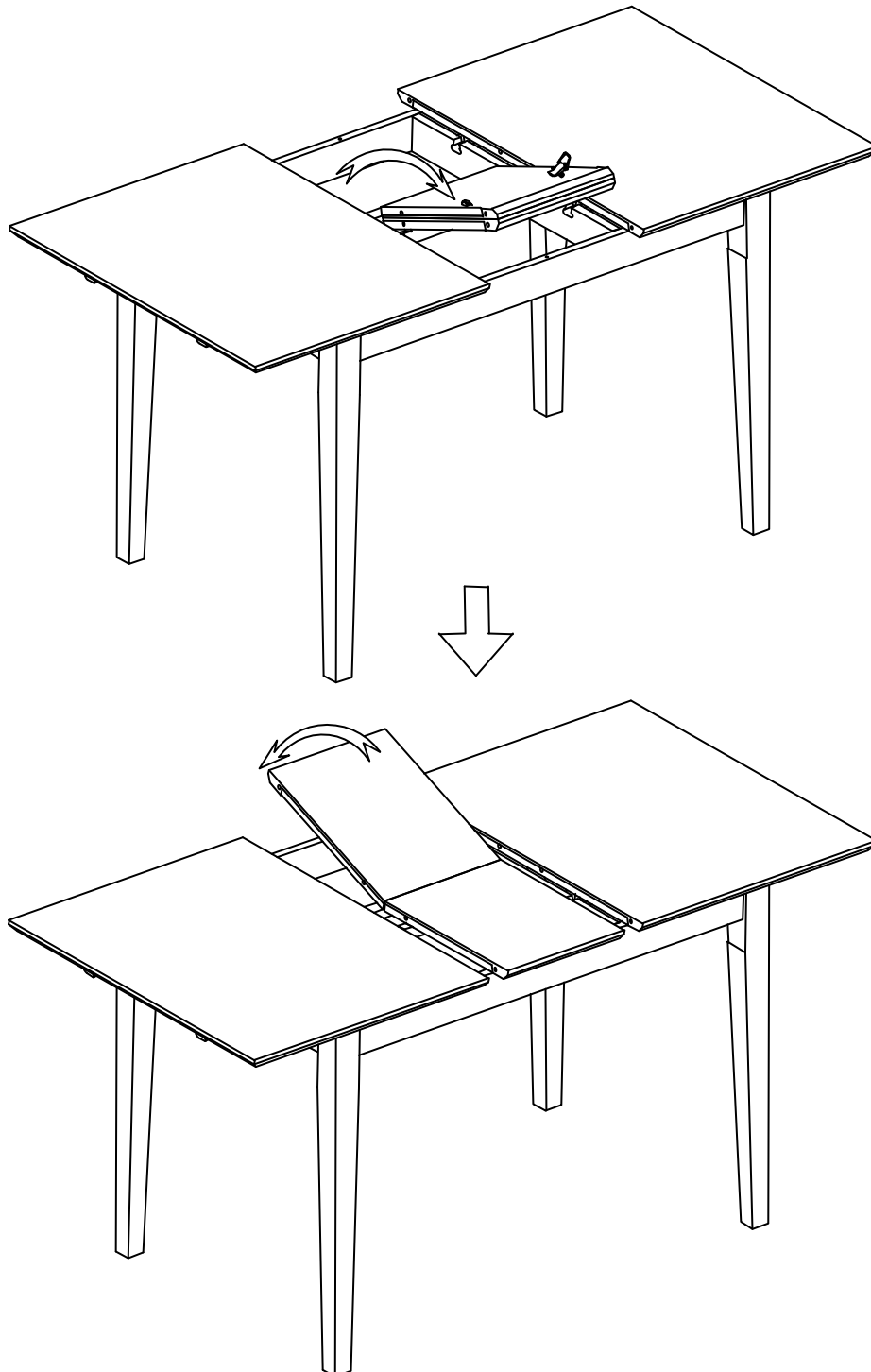
## STEP 4

Place the butterfly leaf in the center of the open table top, as shown below.

**Note:** The metal swivel bar bracket is very flexible and a slight twist of one half of the leaf can get the leaf into alignment. With one of these tops opened and in the topside up position and can be attached to the base to accomplish this too.

Have the top fully extended first, pull the leaf operation out, and with one leaf end down and other in the upward position, grasp the sides of the leaf w/ two hands and twist slightly (the metal bracket is flexible) so to shift the alignment of the leaf and then lower it into place being careful not to let the metal pins hit the edges of top or the leaf apron end, but repeat if necessary so to get the pins to align.

We use the flexible metal bar for this purpose, as a hardened metal would snap during transport or damage the under structure.



## STEP 5

Push the table top closed. Lock the mechanism underneath two sides of the table top as shown below.

