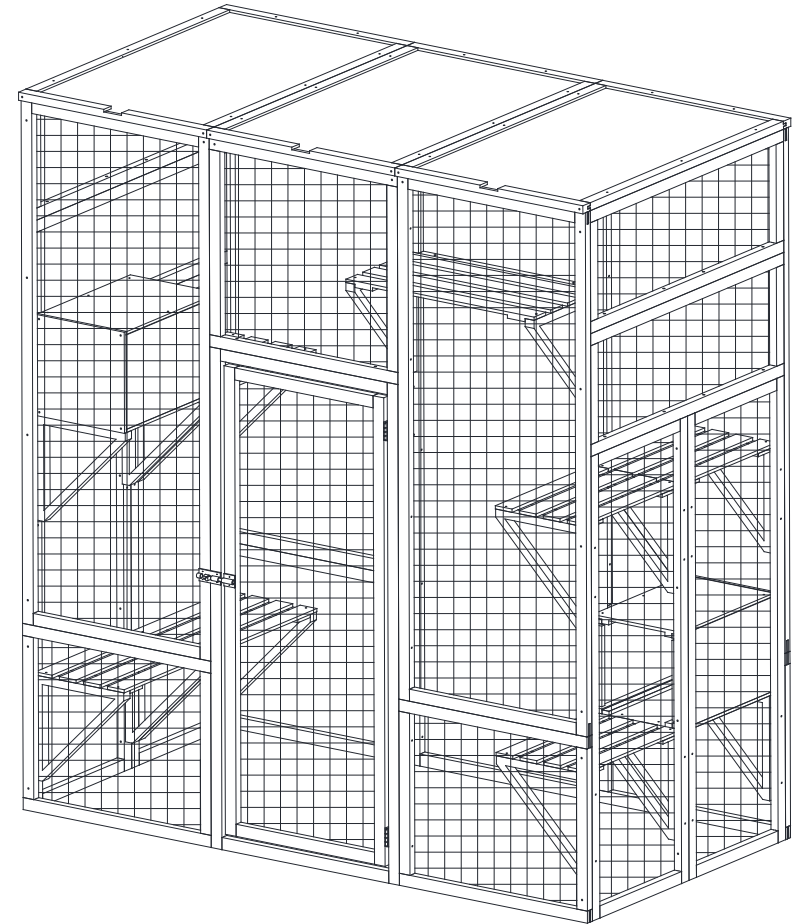


User Manual



Dear Customer,

Thank you for your purchase.

COZIWOW is committed to providing affordable high-quality pet products worldwide.

We take your pet's needs and well-being as the greatest mission.

We are proud to make a difference in thousands of pets' life.

When you receive the product, please make sure that all the parts are intact.

Then please browse the entire installation manual before assembly.

If problems occur unsatisfactorily as follows:

a. The outer box is damaged.

b. The product is damaged / bent / cracked while you open the box.

c. The parts / accessories / assembly tools are missing.

d. The product is hard to assemble.

e. The instructions are not clear and can not be referred to.

f. The product has functional problems.

g. Other aspects that you are not satisfied with.

Please do not hesitate to contact us for help (Be sure to mark the **SKU NUMBER**, e.g., CW91S0320, and the **TRACKING NUMBER**).

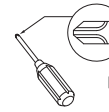
Our COZIWOW team with factory direct after-sales service will reply within 24 hours and will do our best to resolve the problem for you. Our services are available at any time.

Sincerely,
COZIWOW Team

COZIWOW,
for Pets and Fun!

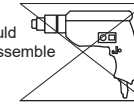
You need

① Tools required

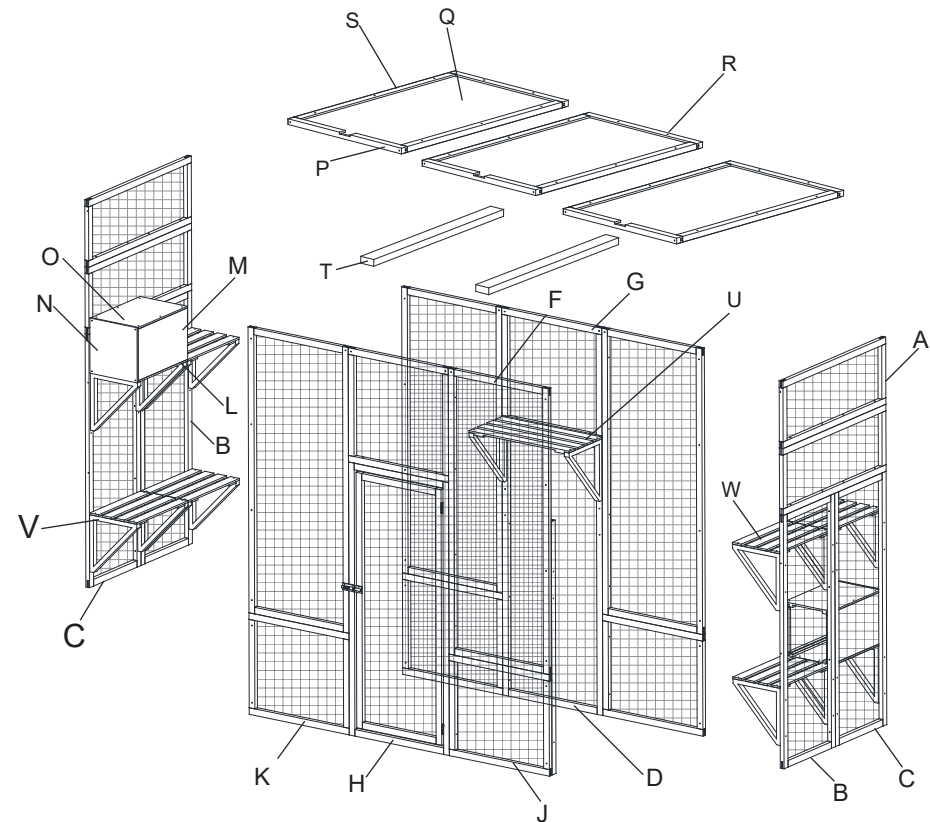


A Phillips head screwdriver is required for the assembly of this product. (not included)

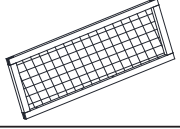
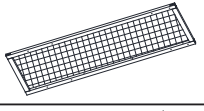
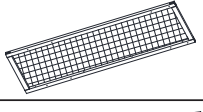
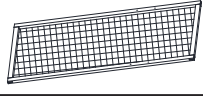
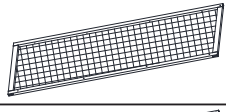
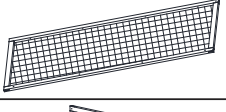

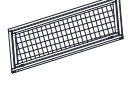



Power tools should not be used to assemble this product.



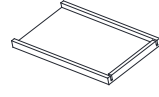

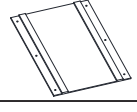

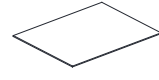
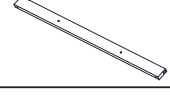
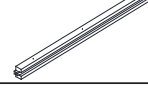
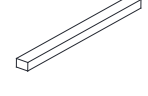
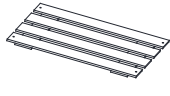


② 2 persons are needed



PRODUCT ASSEMBLY

Pos.	Description		Quantity
A	Grid panels above the sides		4
B	Grid panels below the sides		2
C	Grid panels below the sides		2
D	Grid panel below the back middle		1
E	Long grid panels above the left sides of the front and back		2
F	Long grid panels above the right sides of the front and back		2
G	Grid panels above the middle of the front and back		2
H	Door		1
J	Small grid panels below the right sides of the front and back		2
K	Small grid panels below the left sides of the front and back		2
L	Bottom panels of the cat box		2

PRODUCT ASSEMBLY

Pos.	Description		Quantity
M	Side panels of the cat box		4
N	Back panels of the cat box		2
O	Top panels of the cat box		2
P	Short edgings of the sun roof		3
Q	Sun panels		3
R	Short edgings of the sun roof		3
S	Long edgings of the sun roof		6
T	Roof beams		2
U	Jumping platform		1
V	Tripods		18
W	Jumping platforms		6

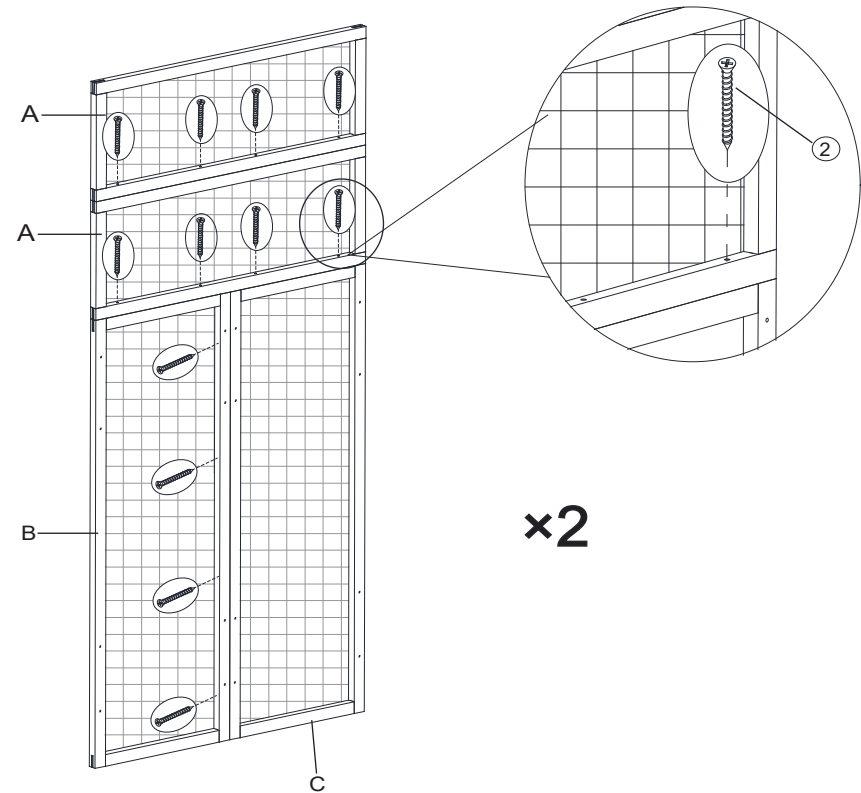
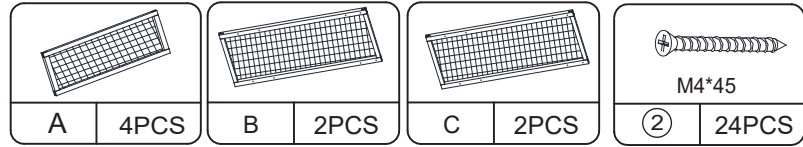
PRODUCT ASSEMBLY

Pos.	Description		Quantity
①	Bolt		1
②	Self-tapping screws 1	 M4*45	84+2(gift)
③	Self-tapping screws 2	 M3*20	68+2(gift)
④	Self-tapping screws 3	 M3*16	6
⑤	Self-tapping screws 4	 M4*35	84+2(gift)

PRODUCT ASSEMBLY

⚠ Check the package contents before getting started !

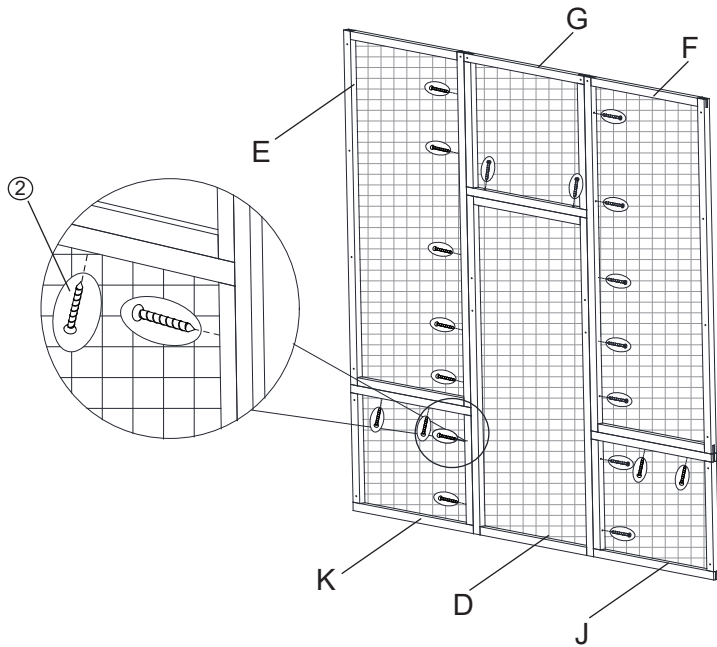
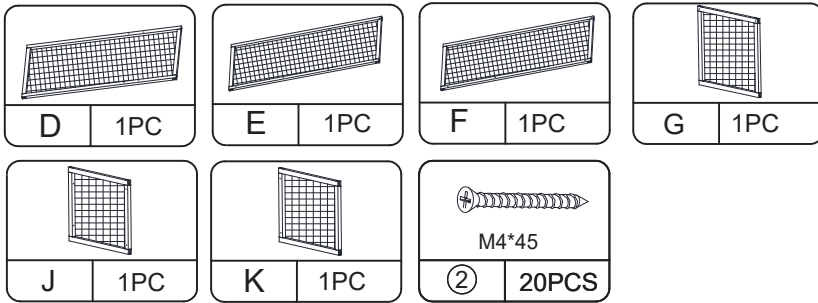
STEP 1



Assemble the sides of the cage
Install Part B and Part C in direction of the arrow

PRODUCT ASSEMBLY

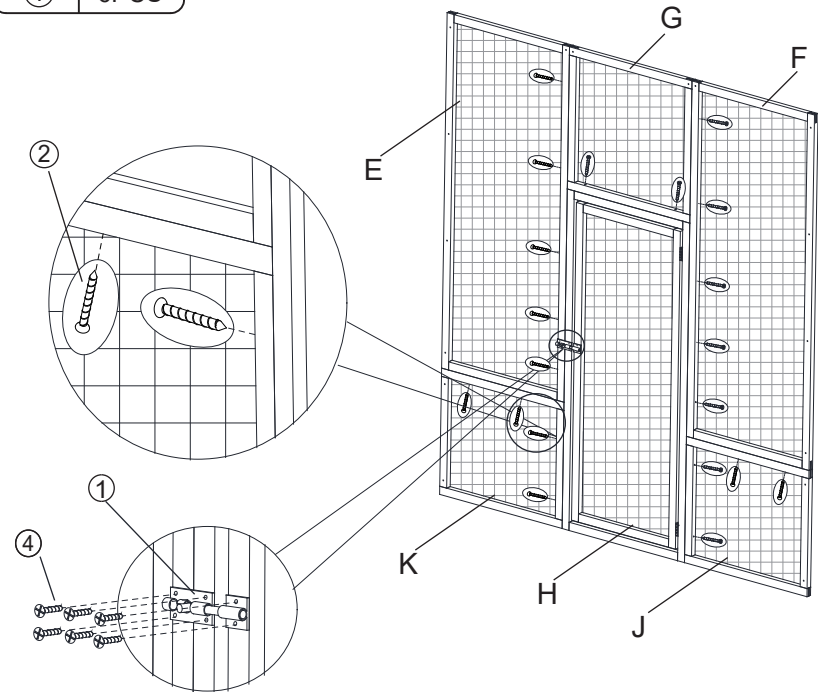
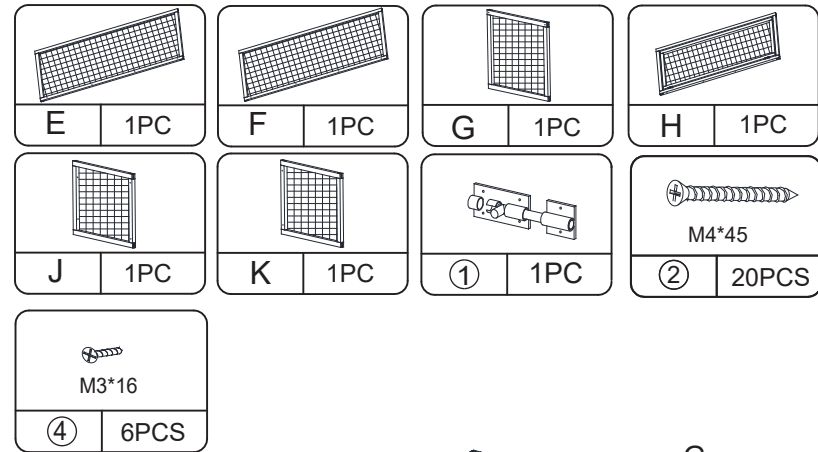
STEP 2



Assemble the back of the cage

PRODUCT ASSEMBLY


STEP 3

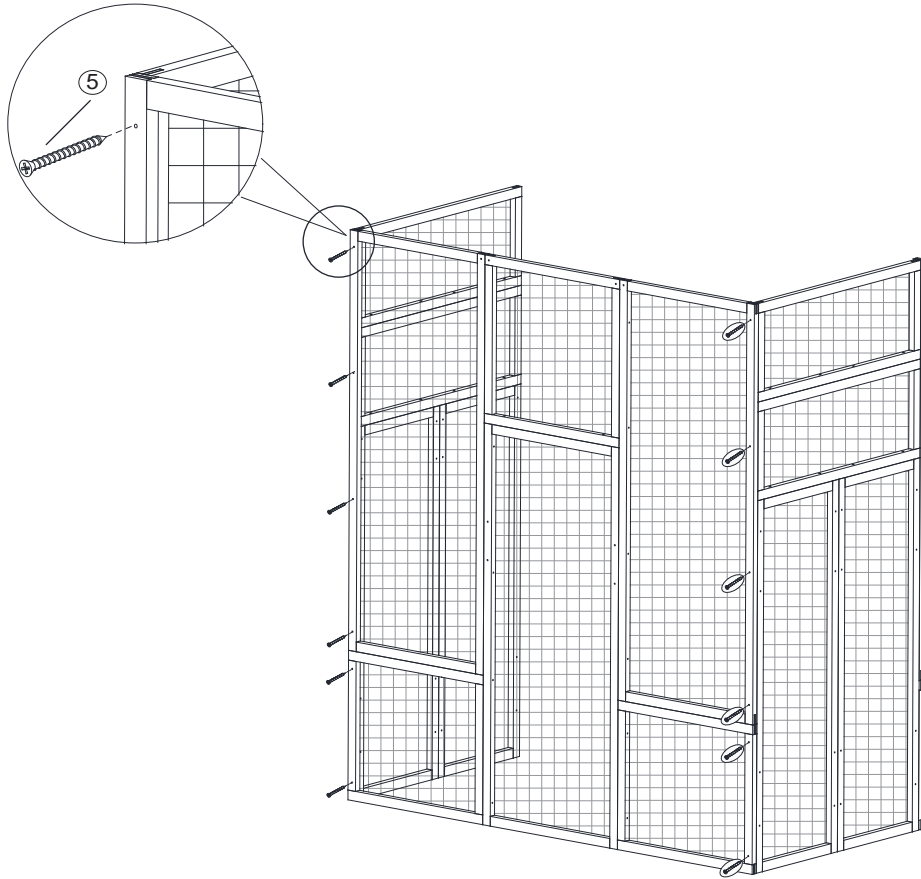


Assemble the front of the cage

PRODUCT ASSEMBLY

STEP 4


 M4*35	
⑤	12PCS

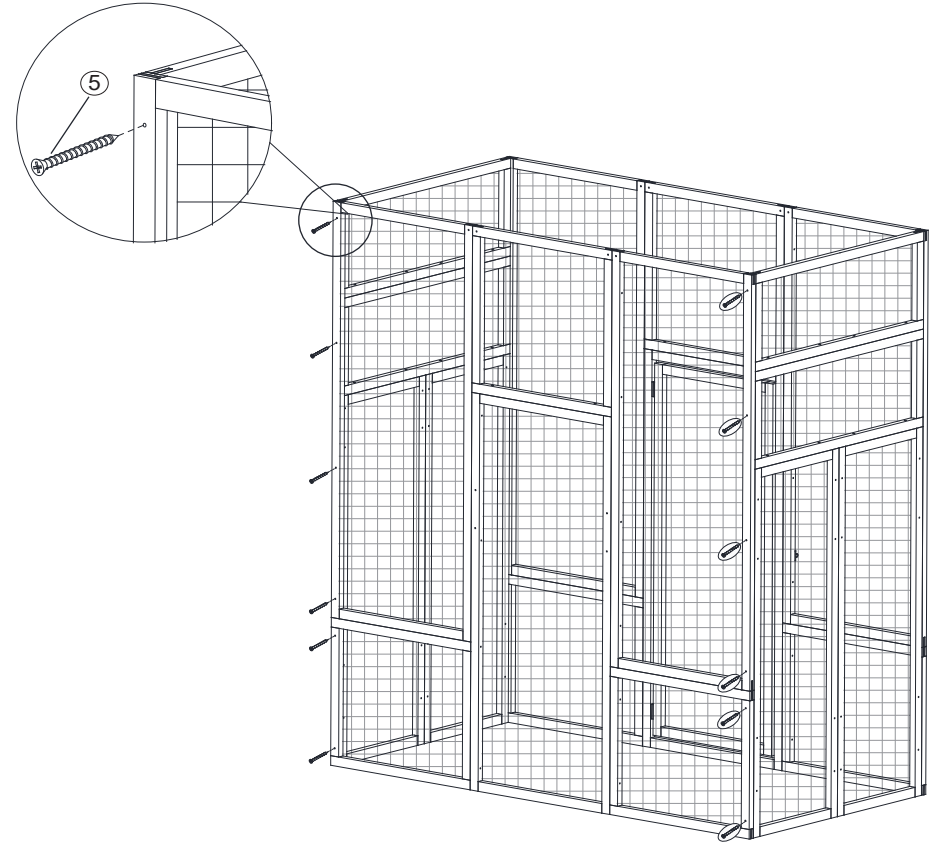


Fix the step 1 and step 2

PRODUCT ASSEMBLY

STEP 5

 M4*35	
⑤	12PCS

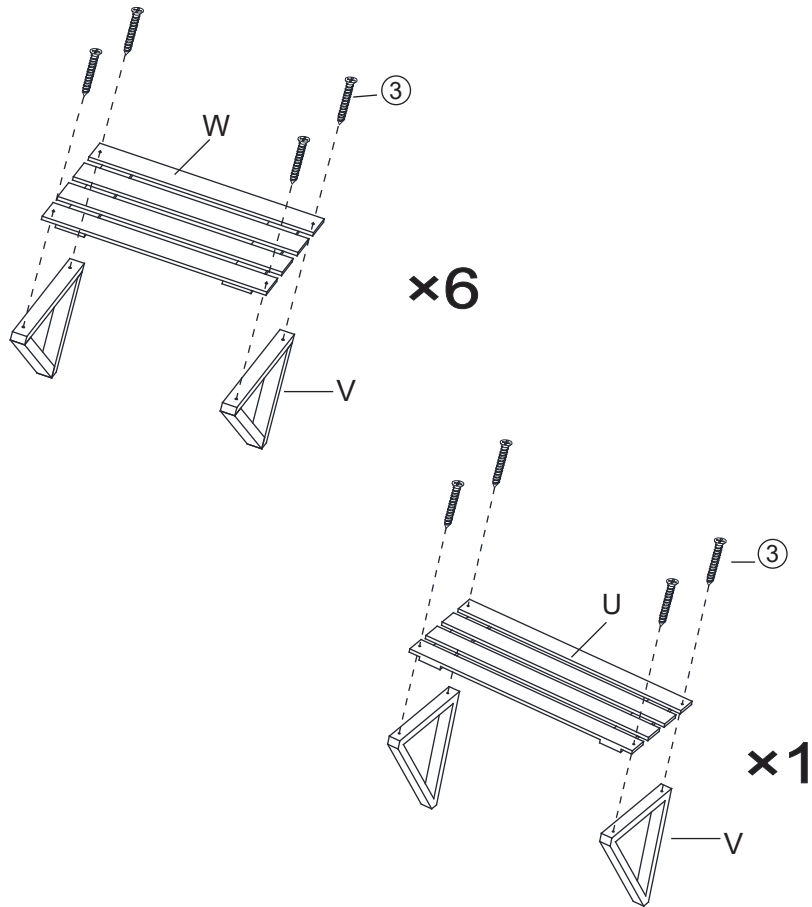


Fix the step 3 and step 4

PRODUCT ASSEMBLY

STEP 6

W 6PCS	U 1PC	V 14PCS	③ 28PCS

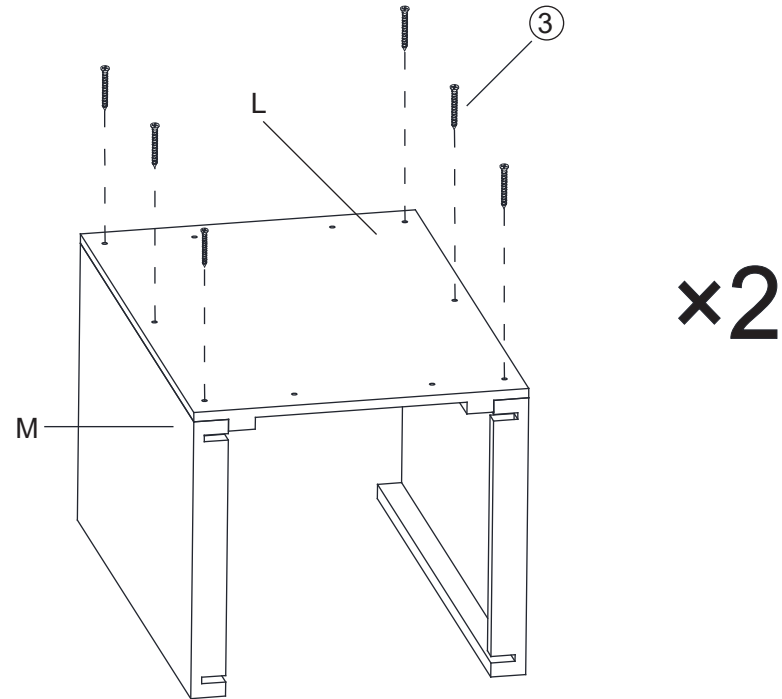


Assemble the jumping platforms and tripods

PRODUCT ASSEMBLY

STEP 7

L 2PCS	M 4PCS	③ 12PCS

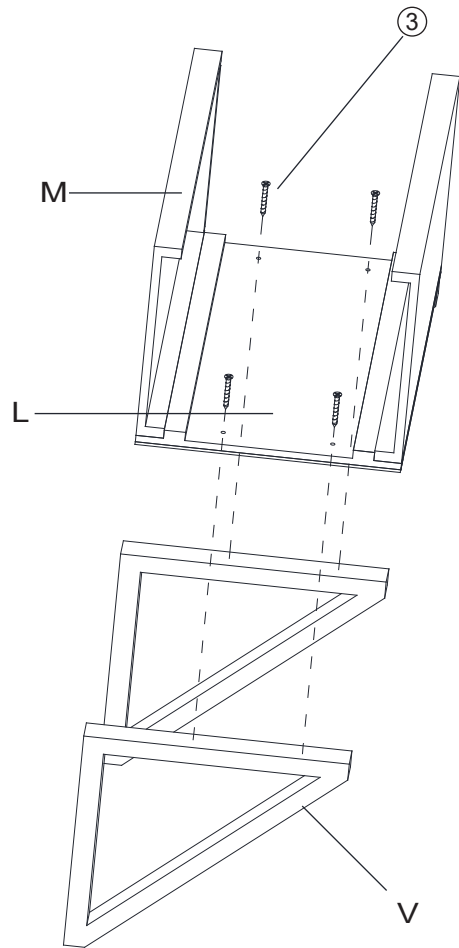


Secure the sides and bottom of the box

PRODUCT ASSEMBLY

STEP 8

V 4PCS	③ 8PCS



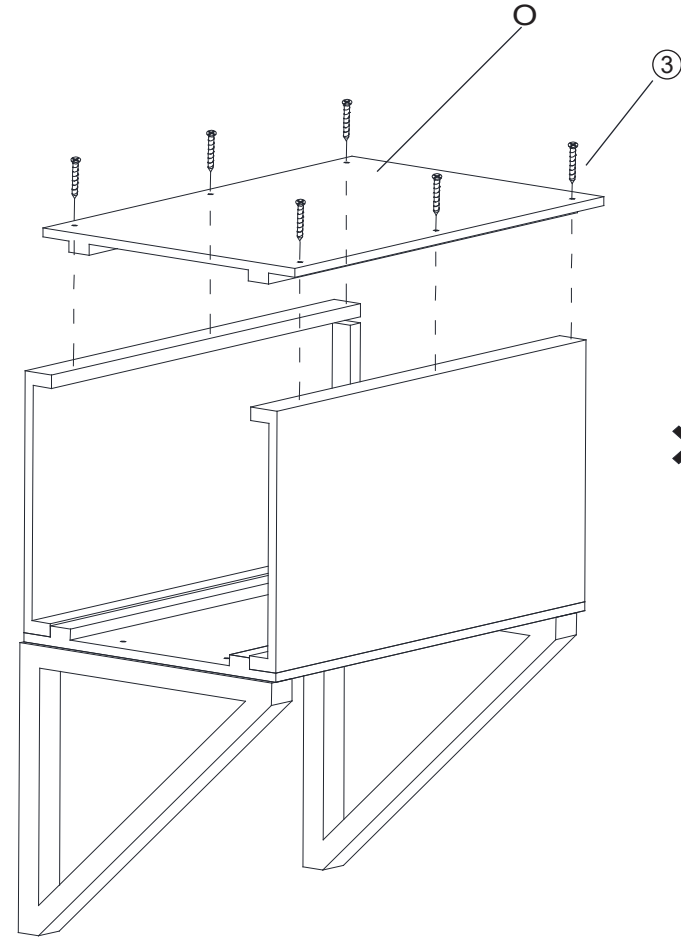
x2

Attach the box bottom to the 2 tripods

PRODUCT ASSEMBLY

STEP 9

O 2PCS	③ 12PCS

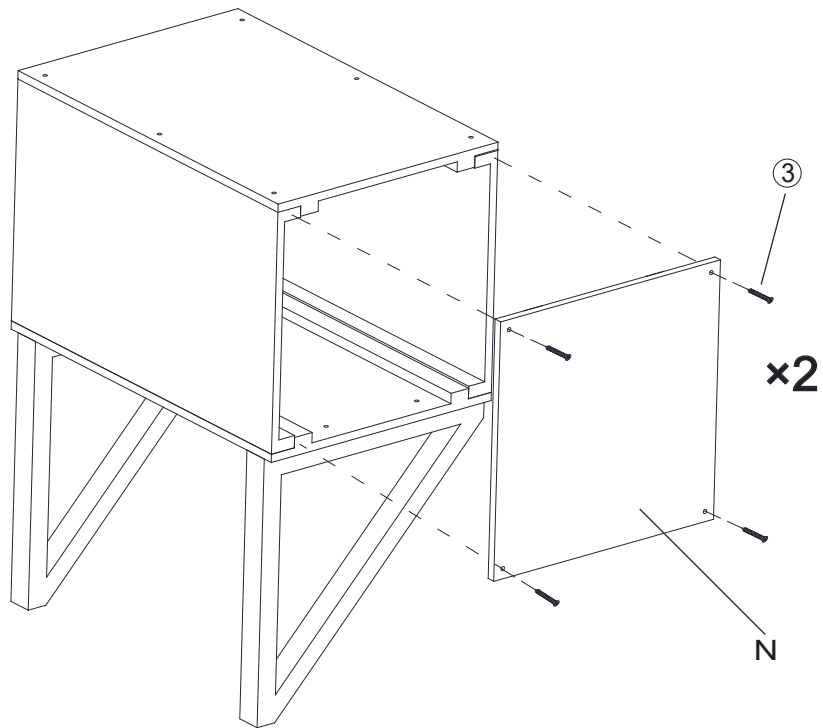


x2

Secure the top of the box

STEP 10

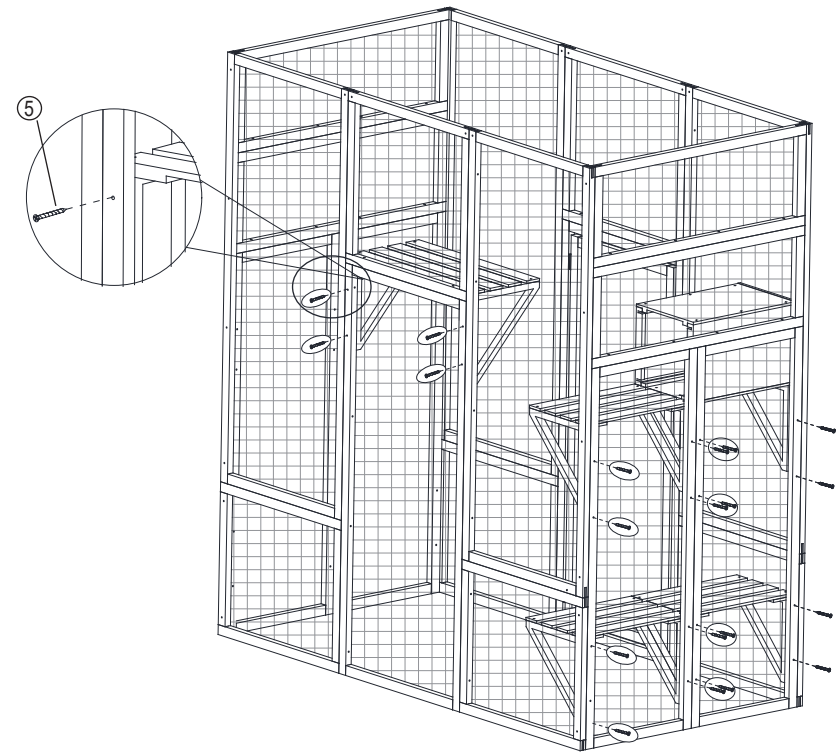
N	2PCS	③	8PCS



Assemble the back of the box

STEP 11


⑤	20PCS

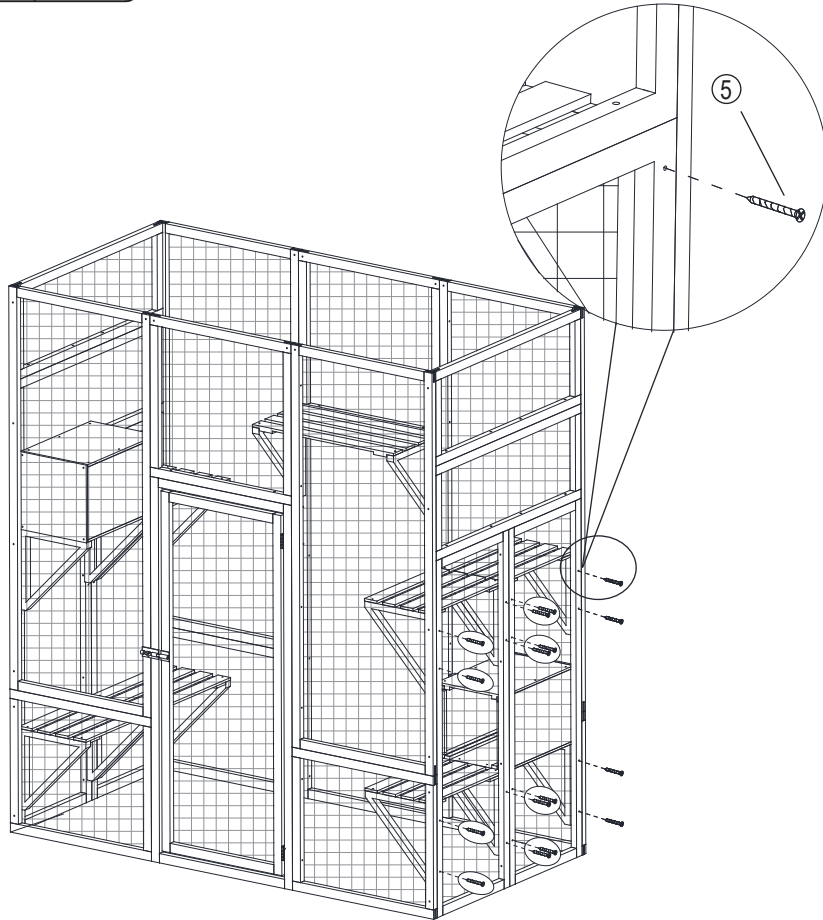


Fix the cat box and jumping platforms

PRODUCT ASSEMBLY

STEP 12



 M4*35	
⑤	16PCS

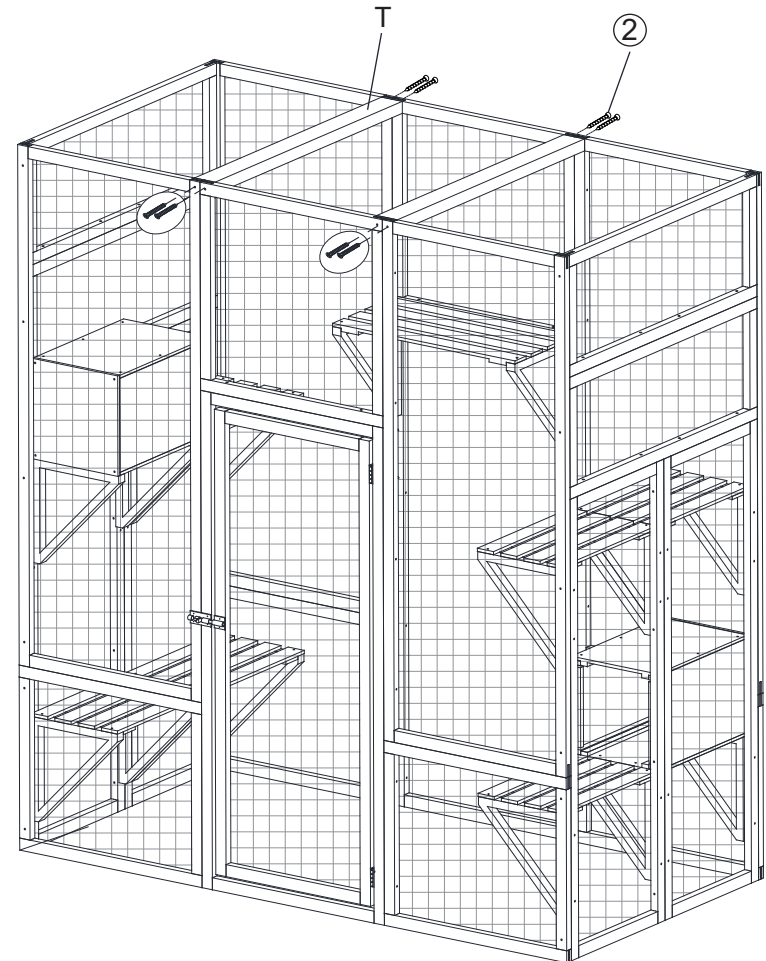


Fix the cat box and jumping platforms

PRODUCT ASSEMBLY

STEP 13

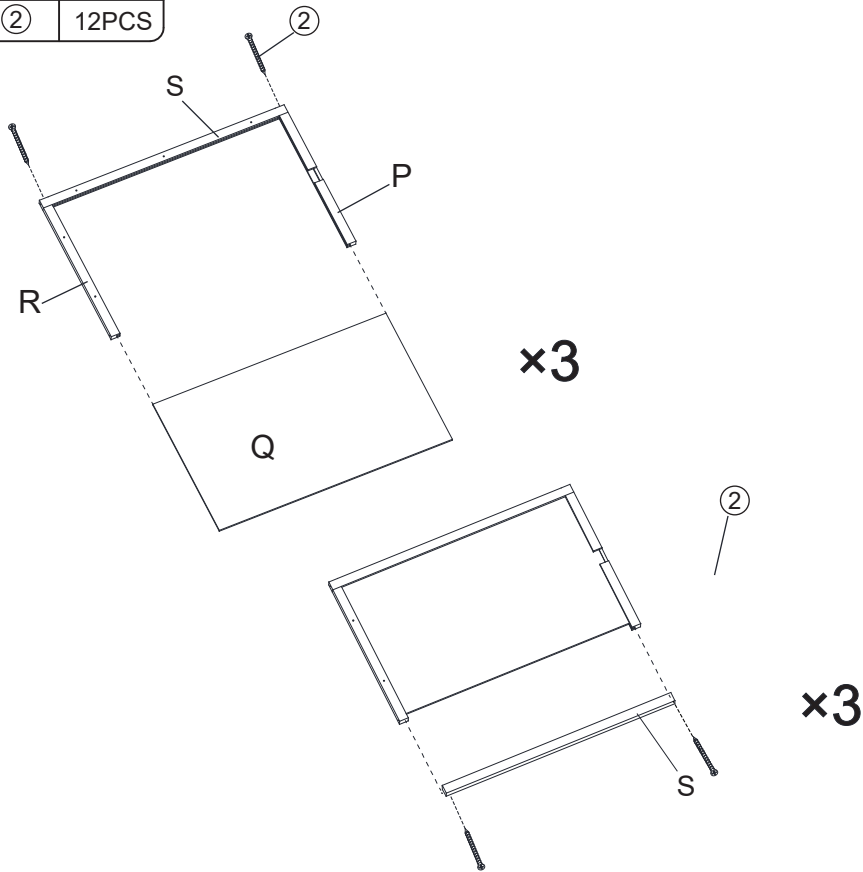
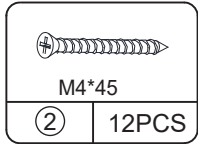
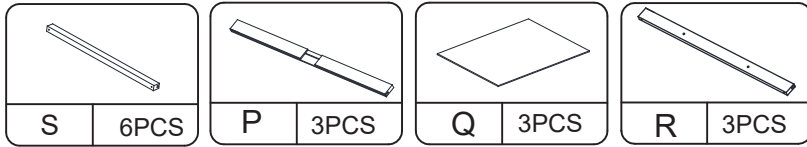
 T 2PCS		 M4*45	
②	8PCS	②	8PCS



Attach the beams to the top of the cage

PRODUCT ASSEMBLY

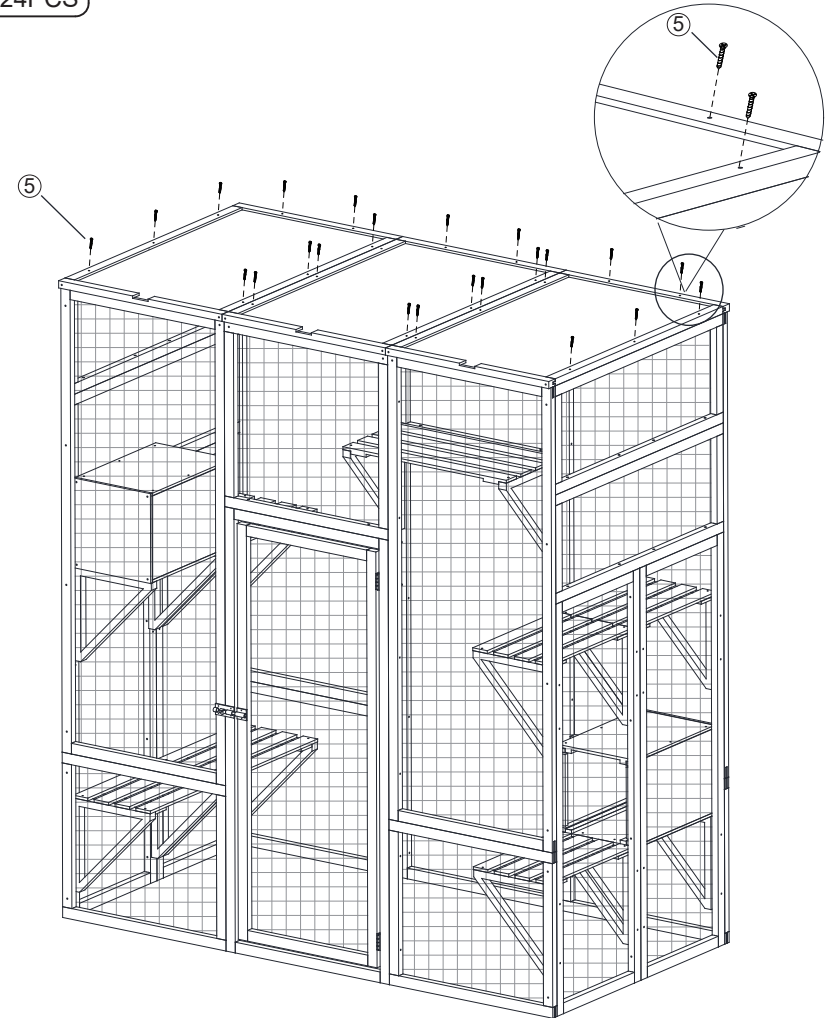
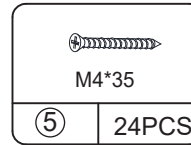
STEP 14



Assemble the transparent sun panels

PRODUCT ASSEMBLY

STEP 15



Secure the sun panels on the top