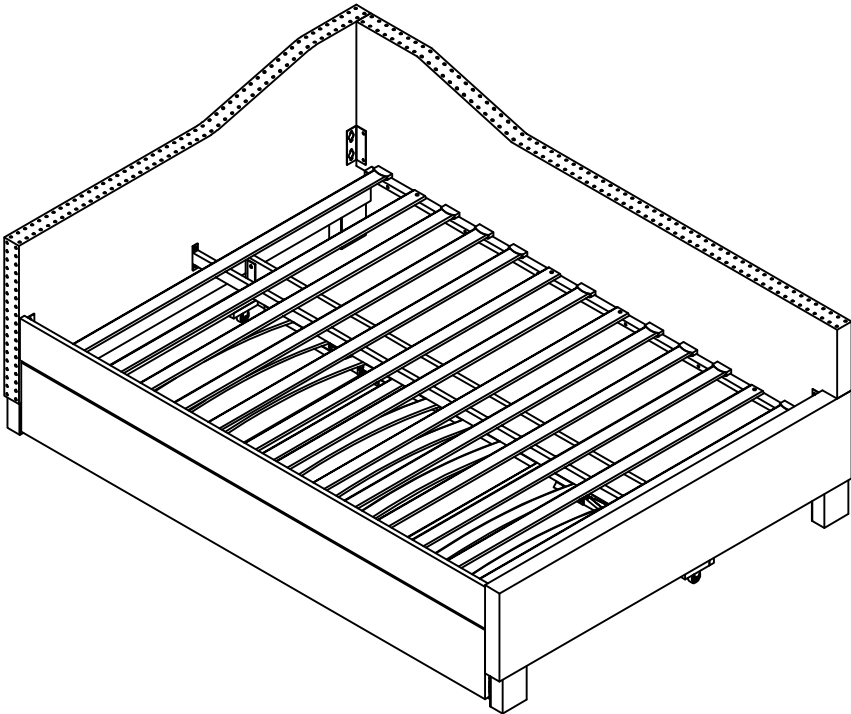


ASSEMBLY DIAGRAM

278 F



STEP: Packing Details

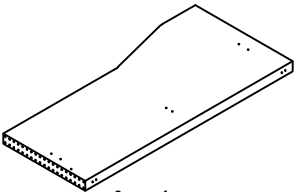
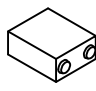
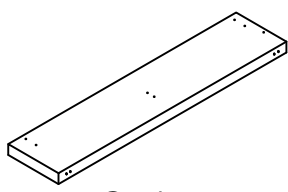
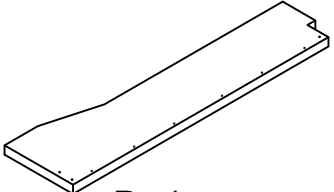
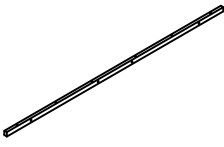
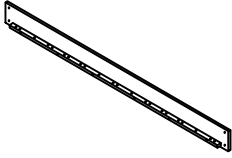
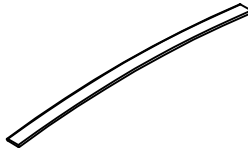
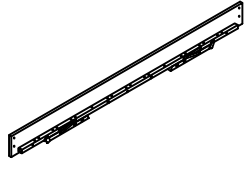
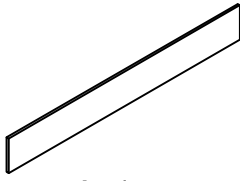
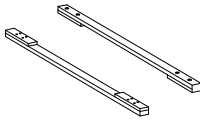
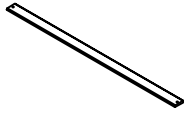
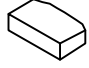
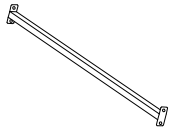
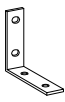

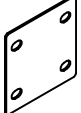
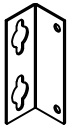
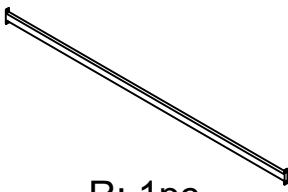
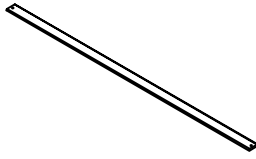
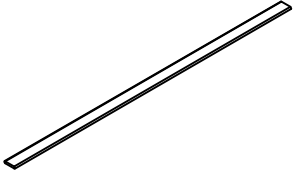
Box 1

A: 1pc	B: 4pcs	C: 1pc	G: 9pcs	K: 2pcs	L: 36pcs	
						<div style="border: 1px solid black; padding: 5px; width: fit-content; margin: 0 auto;"> <p>HARDWARE LIST</p> </div>
M: 2pcs	N: 4pcs	O: 4pcs	P: 1pc	Q: 4pcs	T: 9pcs	








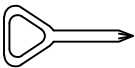





Box 2

D: 1pc	E: 1pc	F: 1pc	H: 1pc	I: 1pc	J: 2pcs	R: 1pc	S: 4pcs

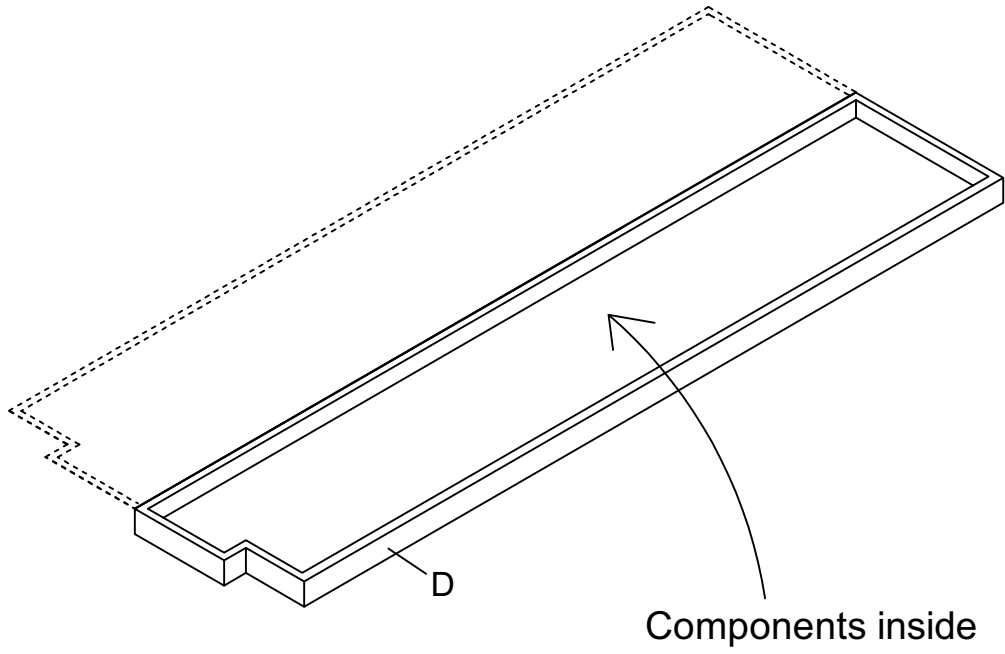
Hardware List

 A: 1pc	 B: 4pcs	 C: 1pc	 D: 1pc
 E: 1pc	 F: 1pc	 G: 9pcs	 H: 1pc
 I: 1pc	 J: 2pcs	 K: 2pcs	 L: 36pcs
 M: 2pcs	 N: 4pcs	 O: 4pcs	 P: 1pc
 Q: 4pcs	 R: 1pc	 S: 4pcs	 T: 9pcs

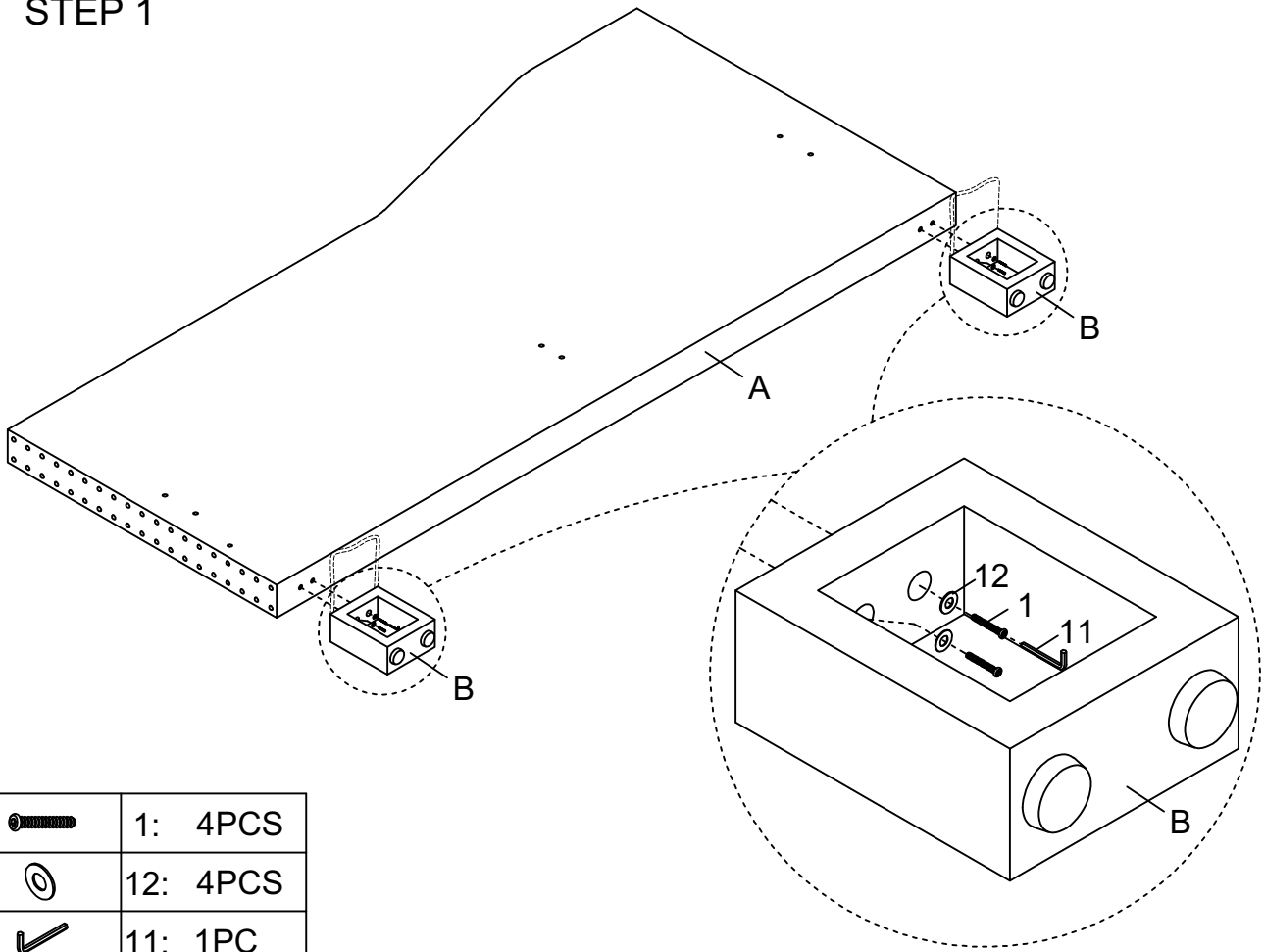
Hardware List




 M6*50mm 1: 26pcs	 M8*25mm 2: 24pcs	 M8*20mm 3: 24pcs	 M8*19mm 4: 48pcs	 M8 5: 48pcs
 M8 6: 1pc	 M6 7: 1pc	 8: 1pc	 M8*50mm 9: 2pcs	 8*15mm 10: 16pcs
 M6 11: 1pc	 M6 12: 26pcs	 M6 13: 12pcs		

STEP :Packing Details

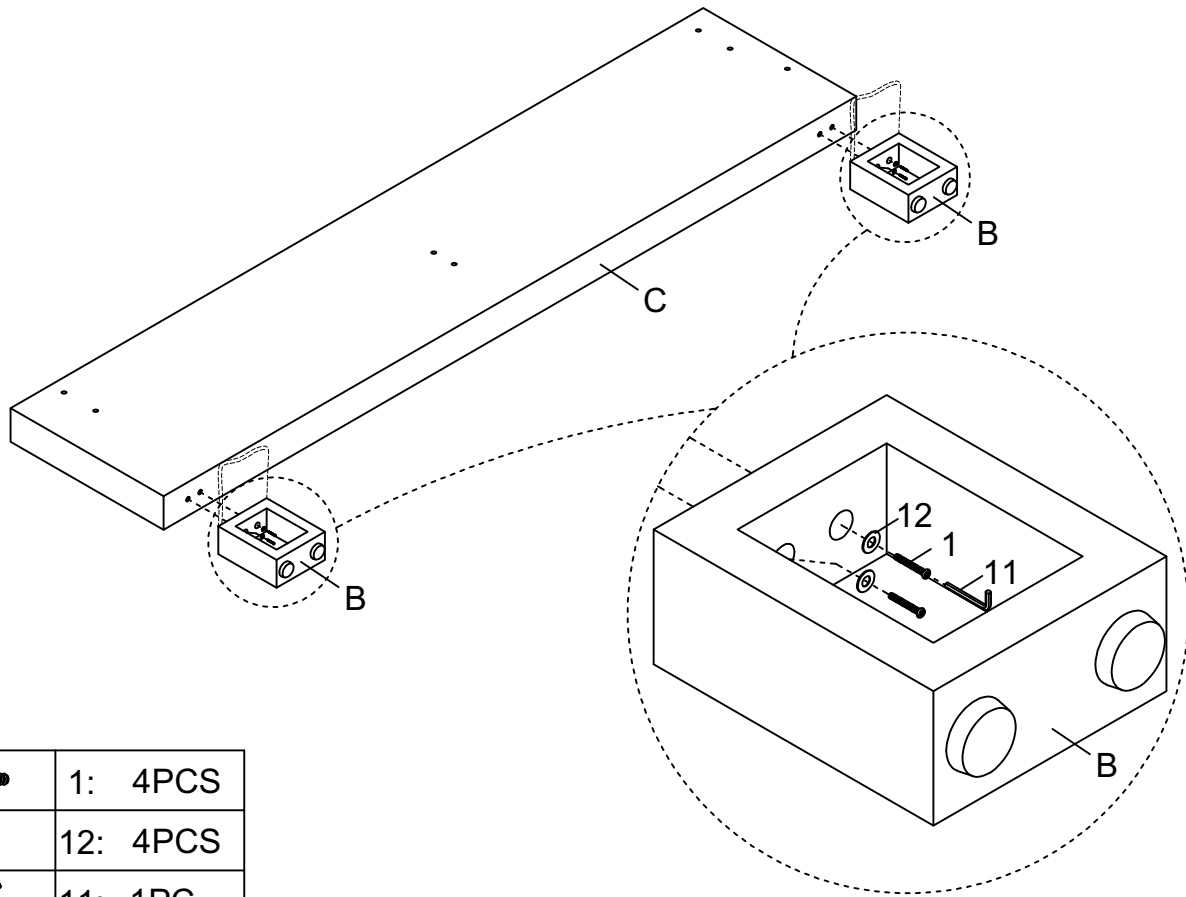





STEP 1



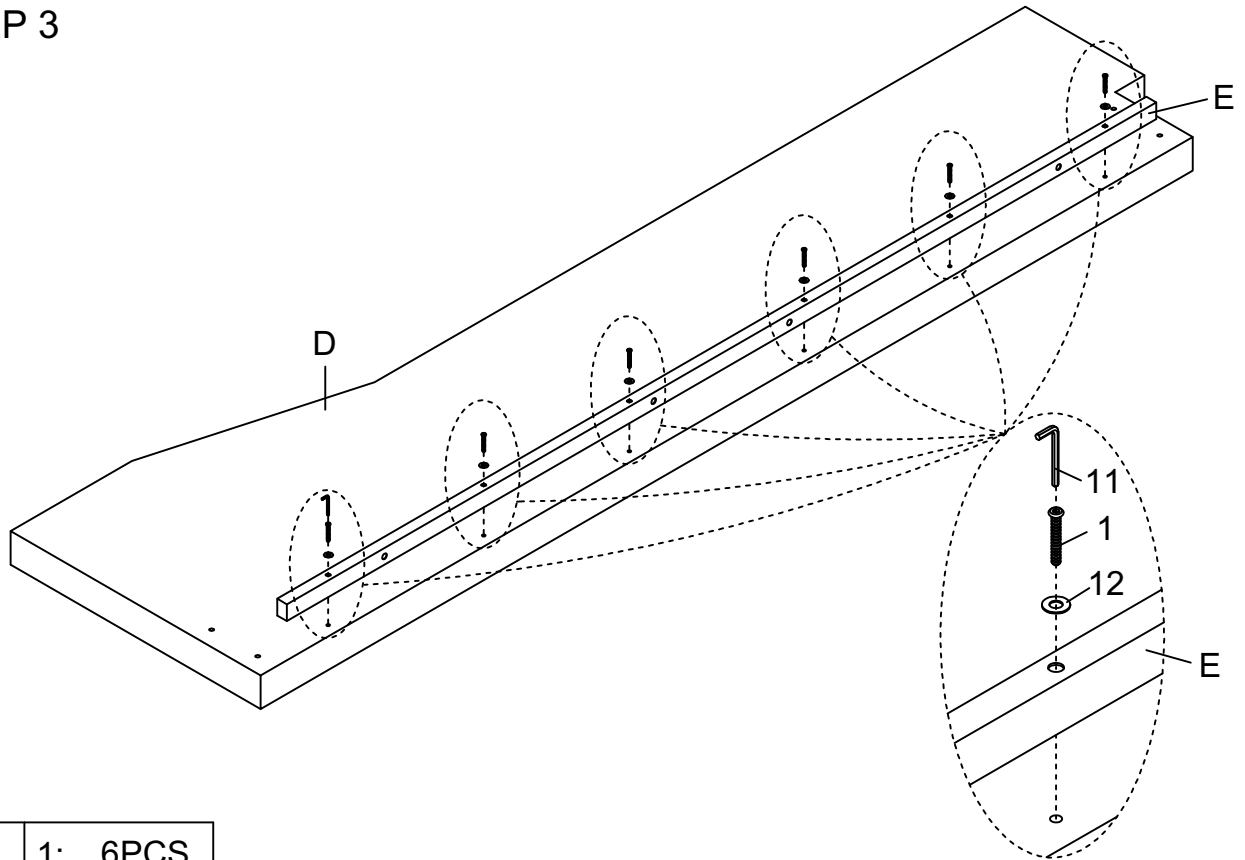
	1: 4PCS
	12: 4PCS
	11: 1PC




STEP 2



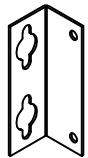
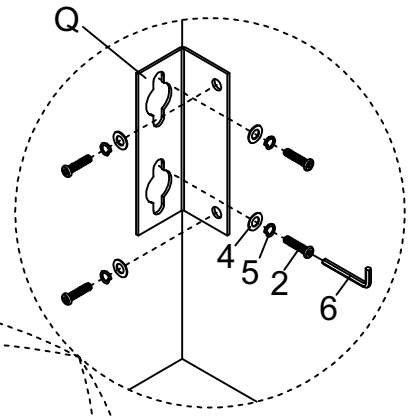
	1: 4PCS
	12: 4PCS
	11: 1PC

STEP 3

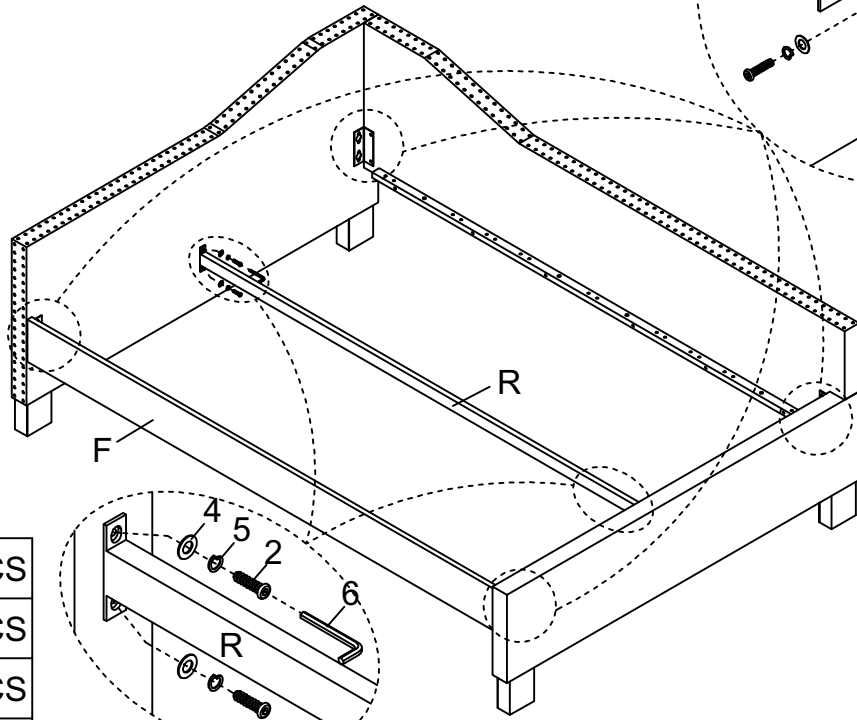


	1: 6PCS
	12: 6PCS
	11: 1PC

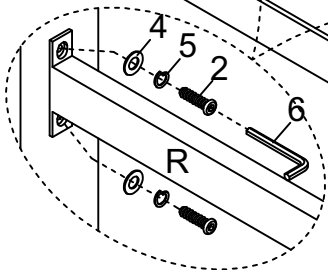
STEP 4



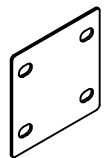
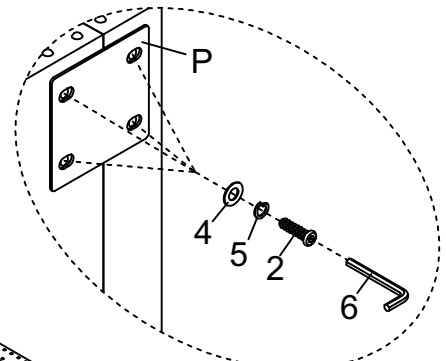
Q: 4pcs



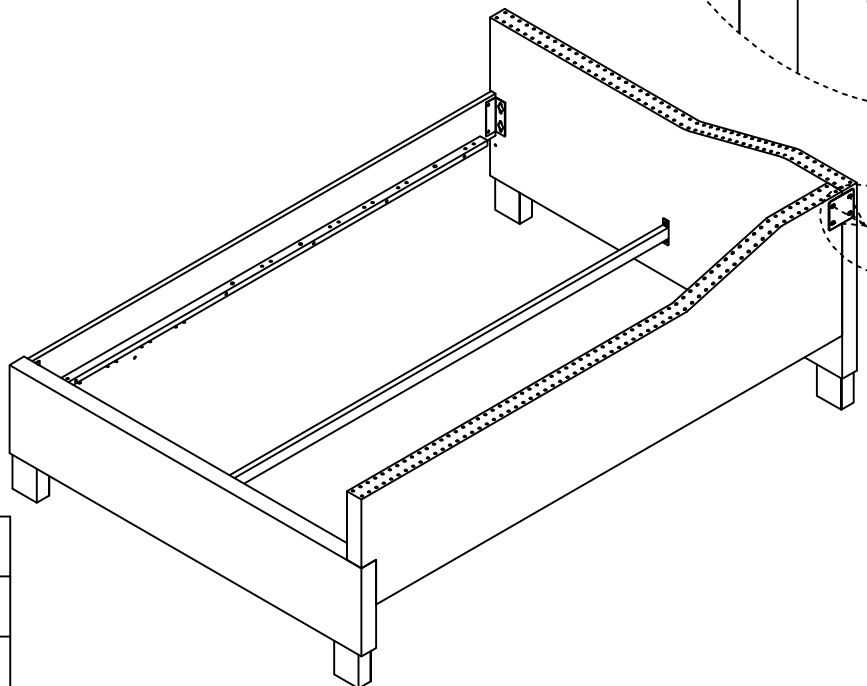
	2: 20PCS
	4: 20PCS
	5: 20PCS
	6: 1PC



STEP 5

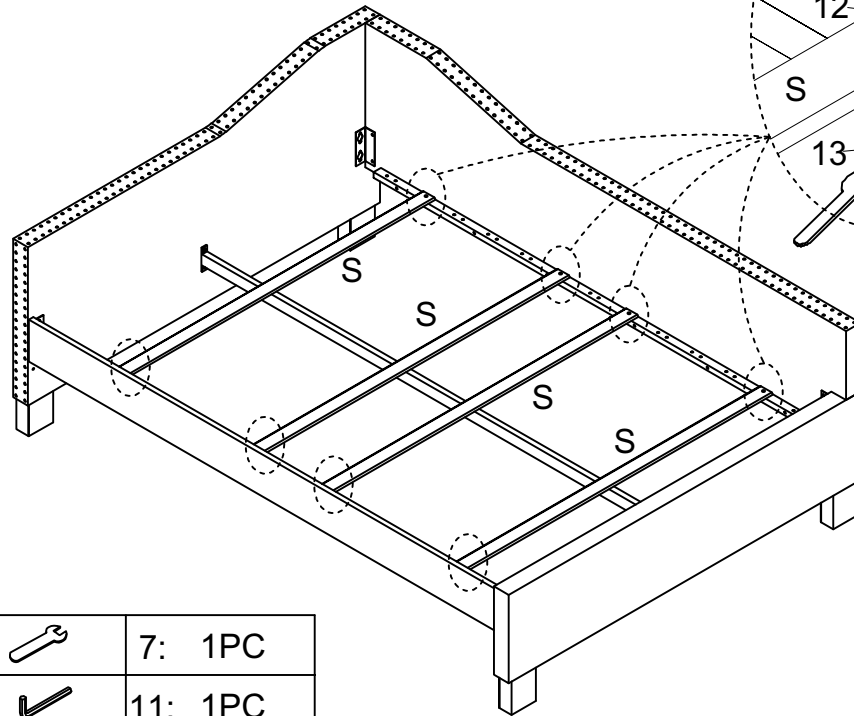







P: 1pc



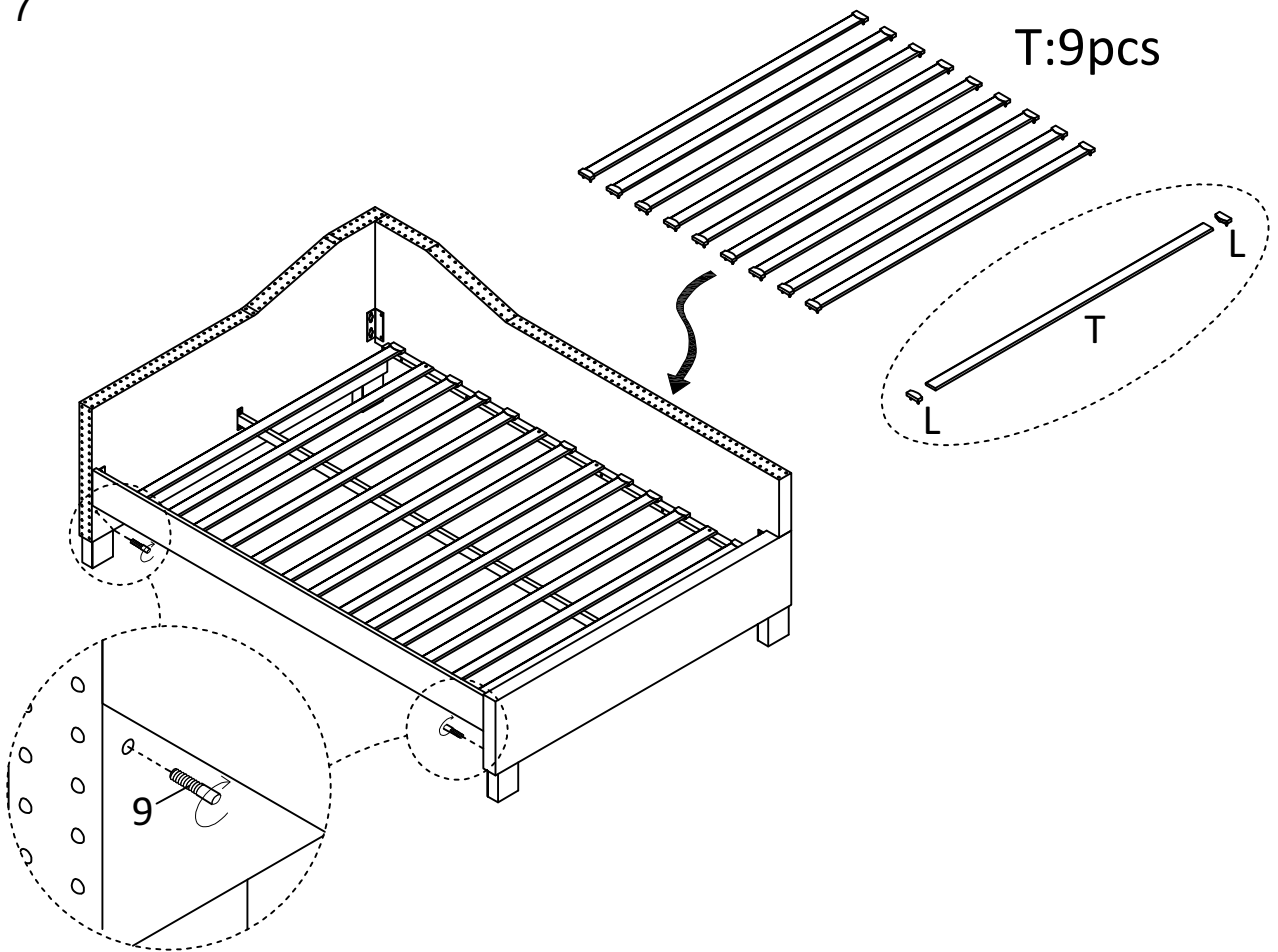
	2: 4PCS
	4: 4PCS
	5: 4PCS
	6: 1PC


STEP 6




	1: 8PCS		
	12: 8PCS		7: 1PC
	13: 8PCS		11: 1PC

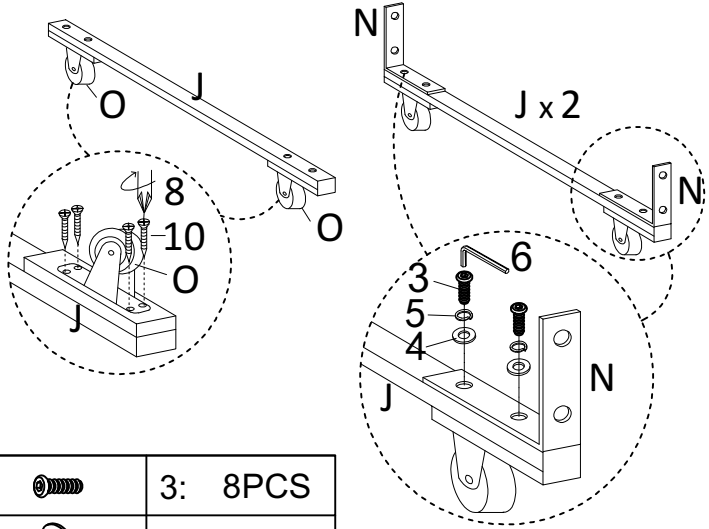
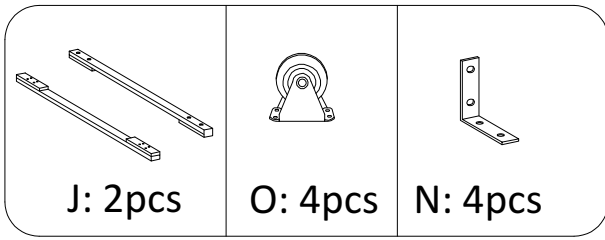
STEP 7



 L: 18pcs

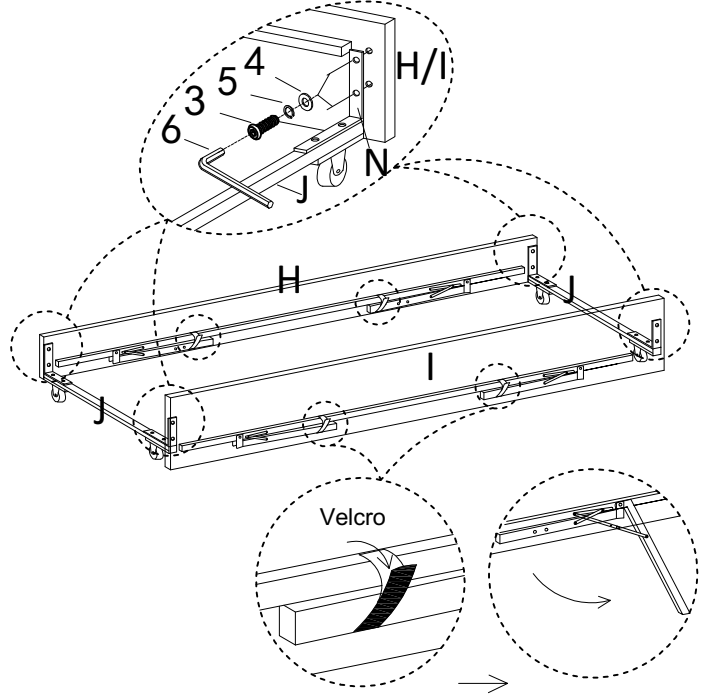
	9: 2PCS
---	---------

STEP 8



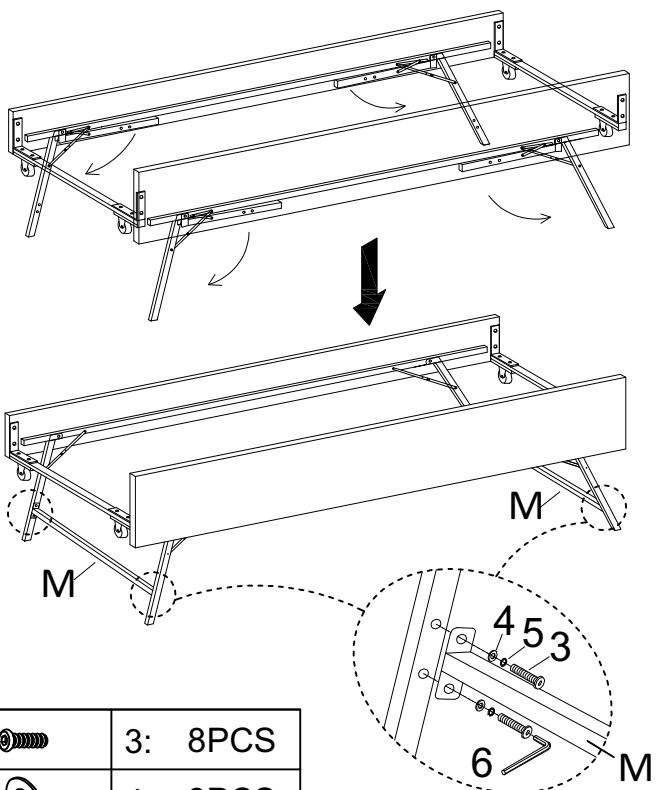
	3: 8PCS		8: 1PC
	4: 8PCS		5: 8PCS
	5: 8PCS		6: 1PC
	6: 1PC		10: 16PCS

STEP 9



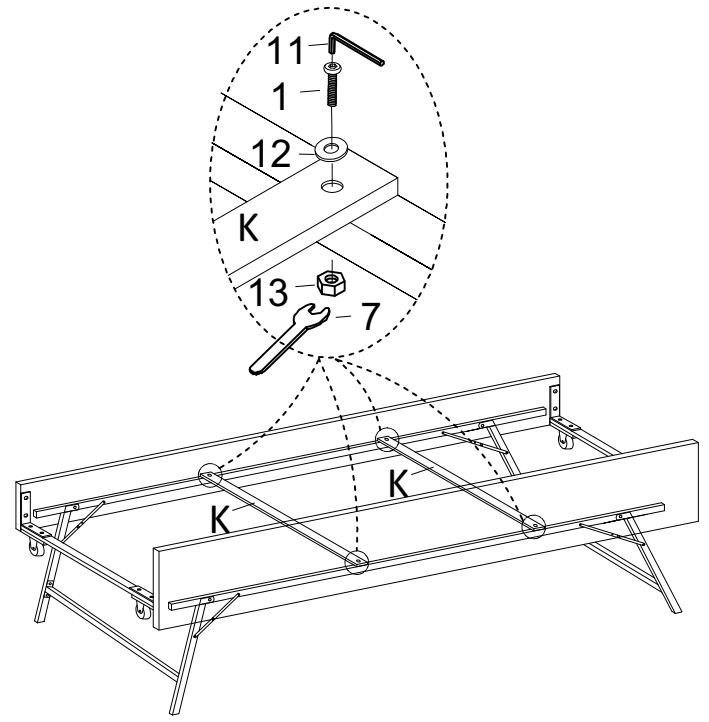
	3: 8PCS		4: 8PCS
	4: 8PCS		5: 8PCS
	5: 8PCS		6: 1PC
	6: 1PC		

STEP 10



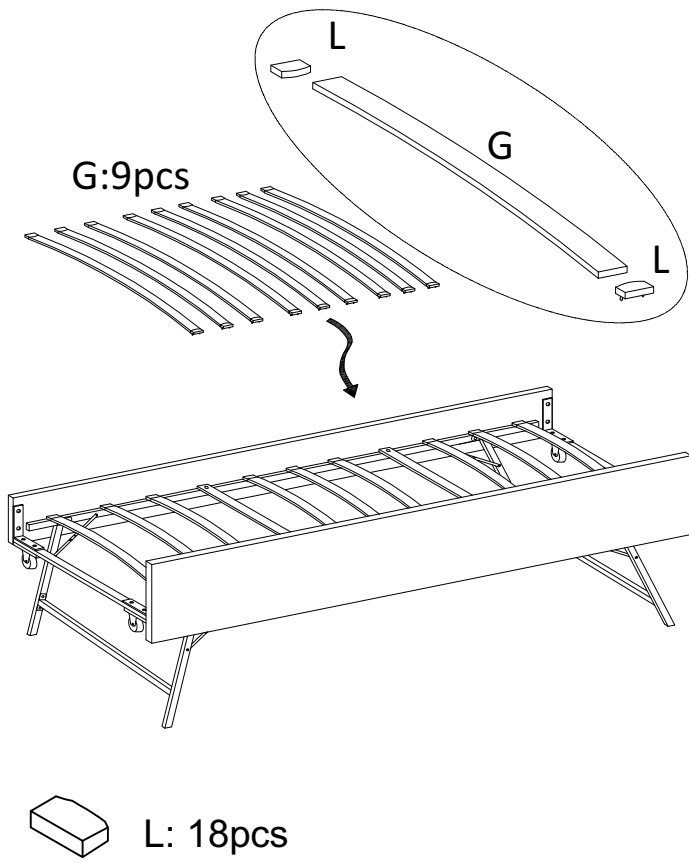
	3: 8PCS		4: 8PCS
	4: 8PCS		5: 8PCS
	5: 8PCS		6: 1PC
	6: 1PC		

STEP 11

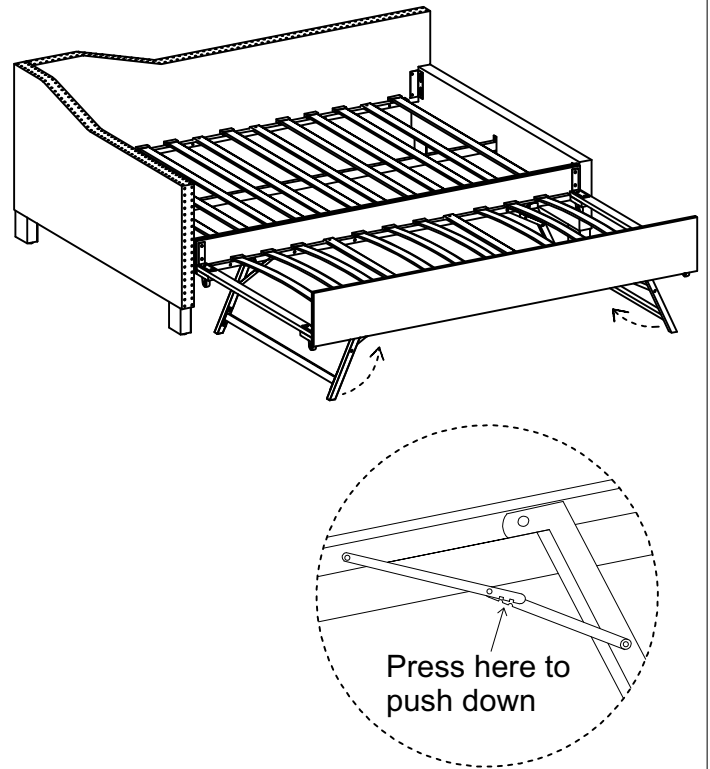


	1: 4PCS		7: 1PC
	12: 4PCS		11: 1PC
	13: 4PCS		

STEP 12



STEP 13



STEP 14

