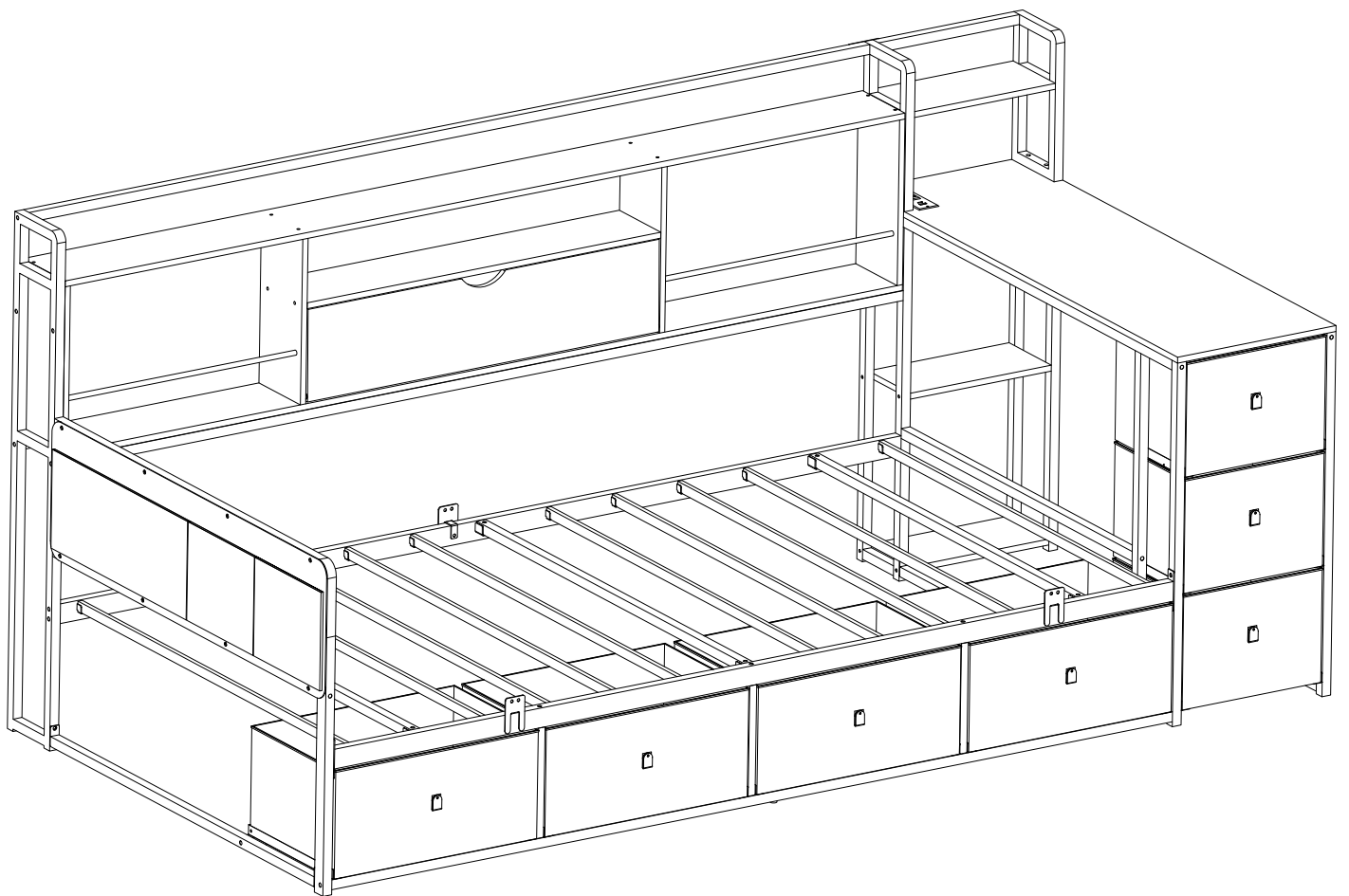


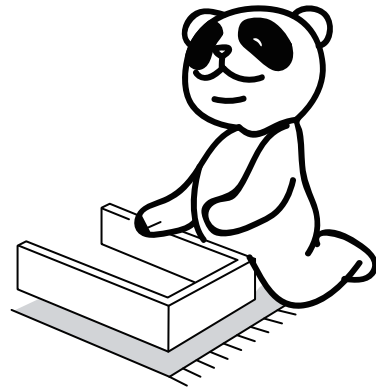
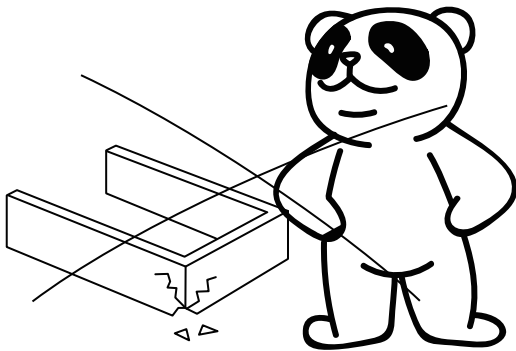
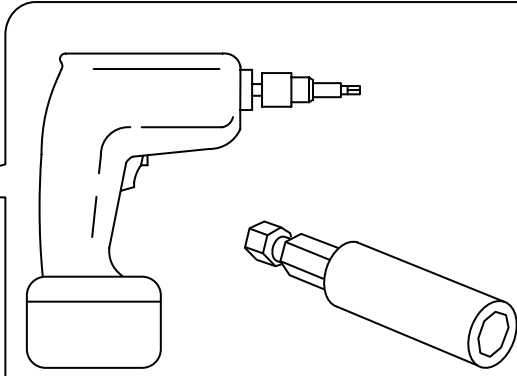
Storage sofa bed



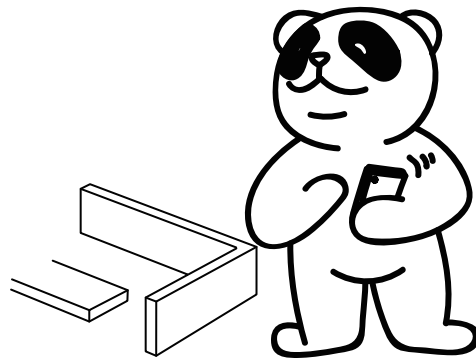
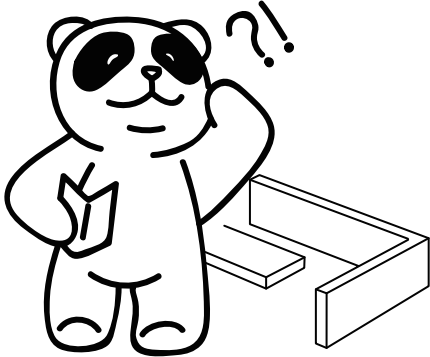
DJ504764



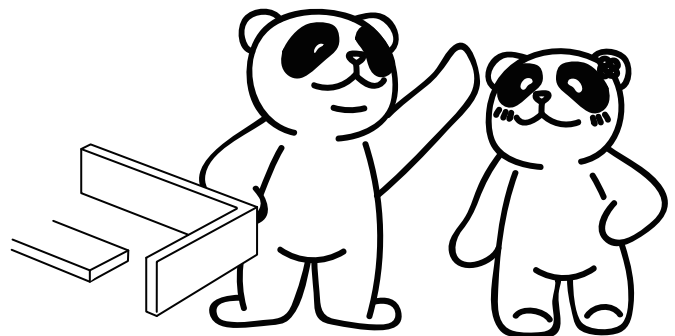
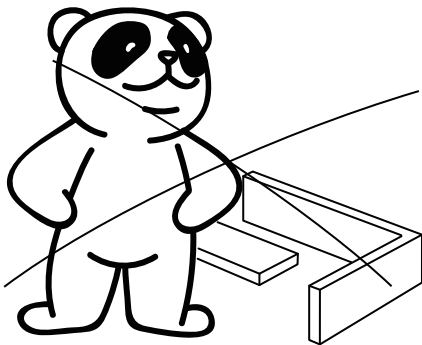
Version: 1.1



Violent installation is prohibited

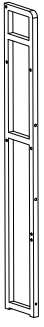


Please call if you need help

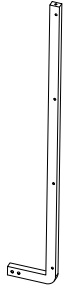


Multi-person cooperation is recommended

Assembly Instruction



1
x1



2
x1



3
x1



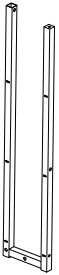
4
x1



5
x1



6
x1



7
x1



8
x2



9
x1



10
x1



11
x1



12
x1



13
x1



14
x1



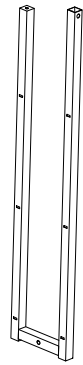
15
x3



16
x2



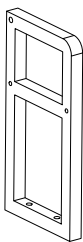
17
x1



18
x1



19
x1



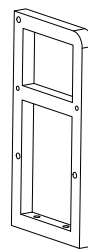
20
x1



21
x1



22
x1



23
x1



24
x8

Assembly Instruction



25
x3



26
x3



27
x3



28
x10



29
x1



30
x3



31
x1



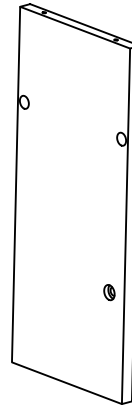
32
x1



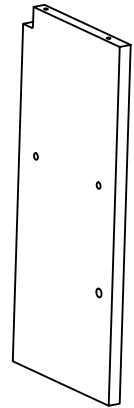
33
x1



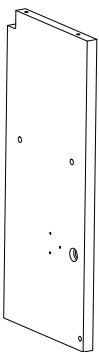
34
x1



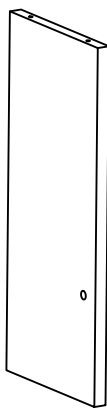
35
x1



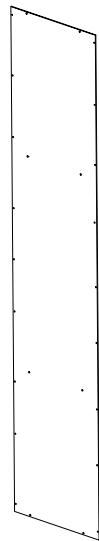
36
x1



37
x1



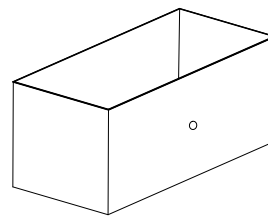
38
x1



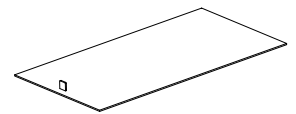
39
x1



40
x2

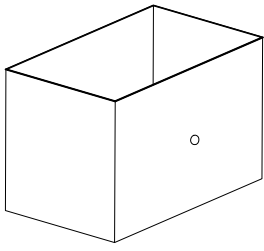


41
x4

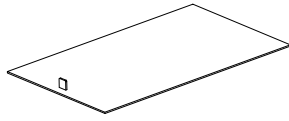


42
x4

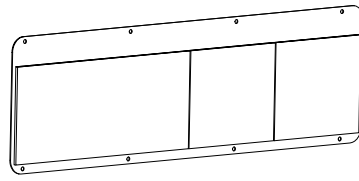
Assembly Instruction



43
x3

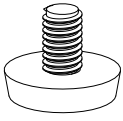


44
x3



45
x1

Assembly Instruction



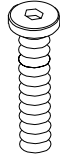
A

M6
x2



B

M6X12
x15+1



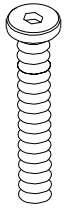
C

M6X40
x30+2



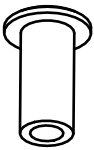
D

M6X15
x4



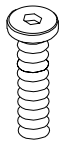
E

M6X60
x3



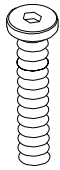
F

M6X17
x4



G

M6X28
x28+2



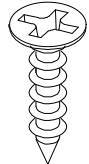
H

M6X45
x7+1



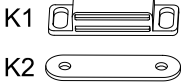
I

M5X38
x32+2



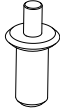
J

ST3.5X12
x15+1



K

x2



L

x2



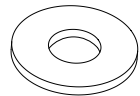
M

x1



N

ST3X16
x26+2



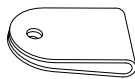
O

x7



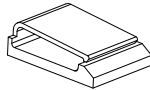
P

x7



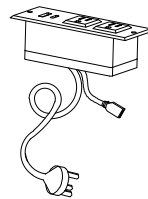
Q

x7



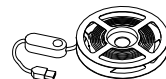
R

x4



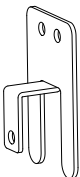
S

x1



T

x1



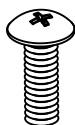
U

x3



V

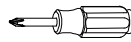
x4



M4X6

W

x16+2



M3

M4




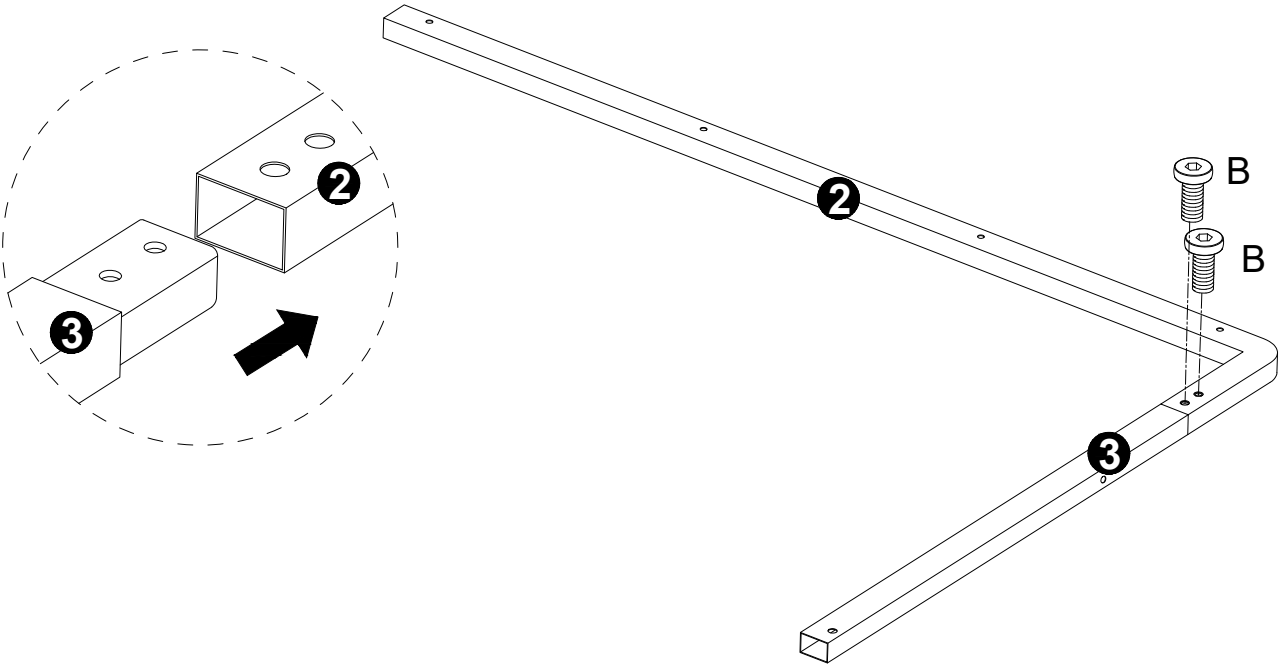
x2

X


x1

1

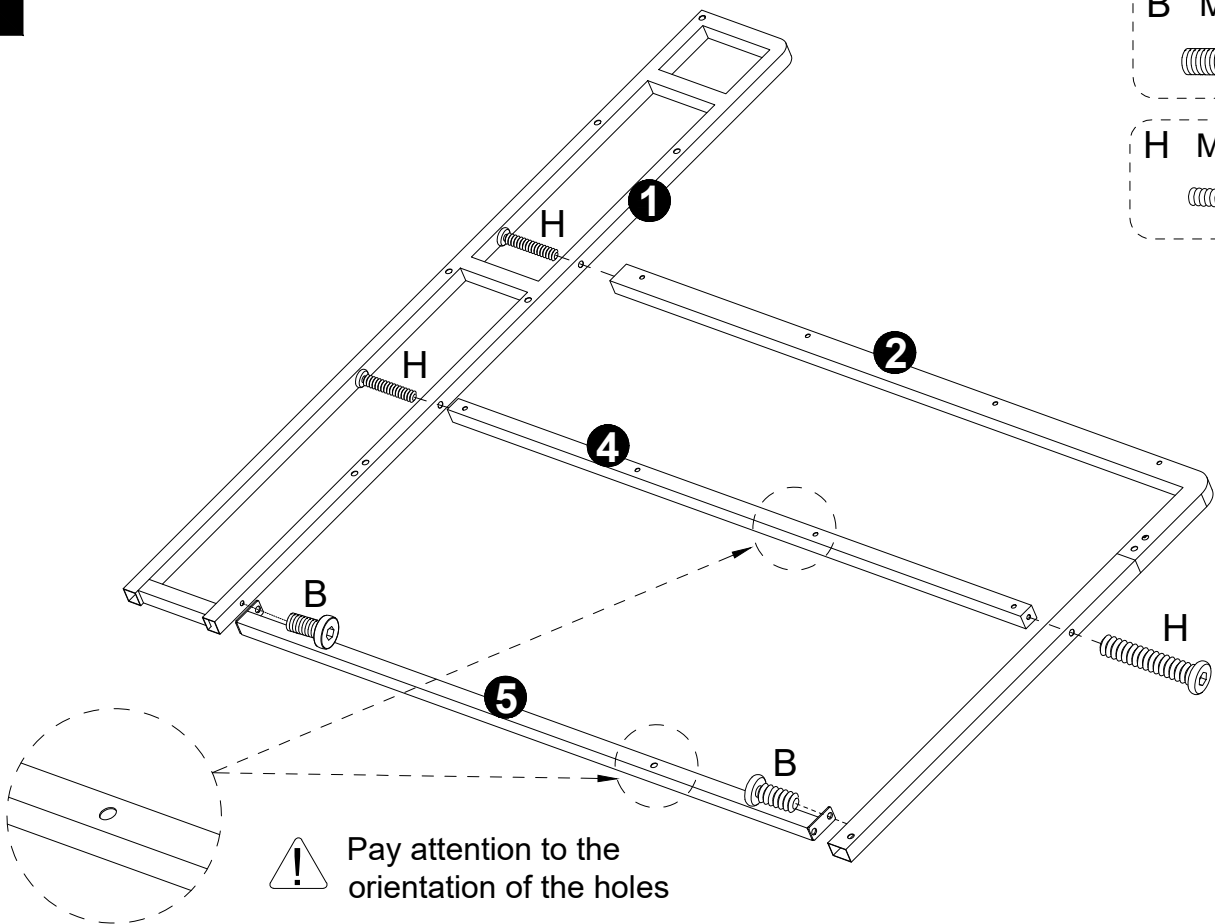
B M6X12
 x2




2

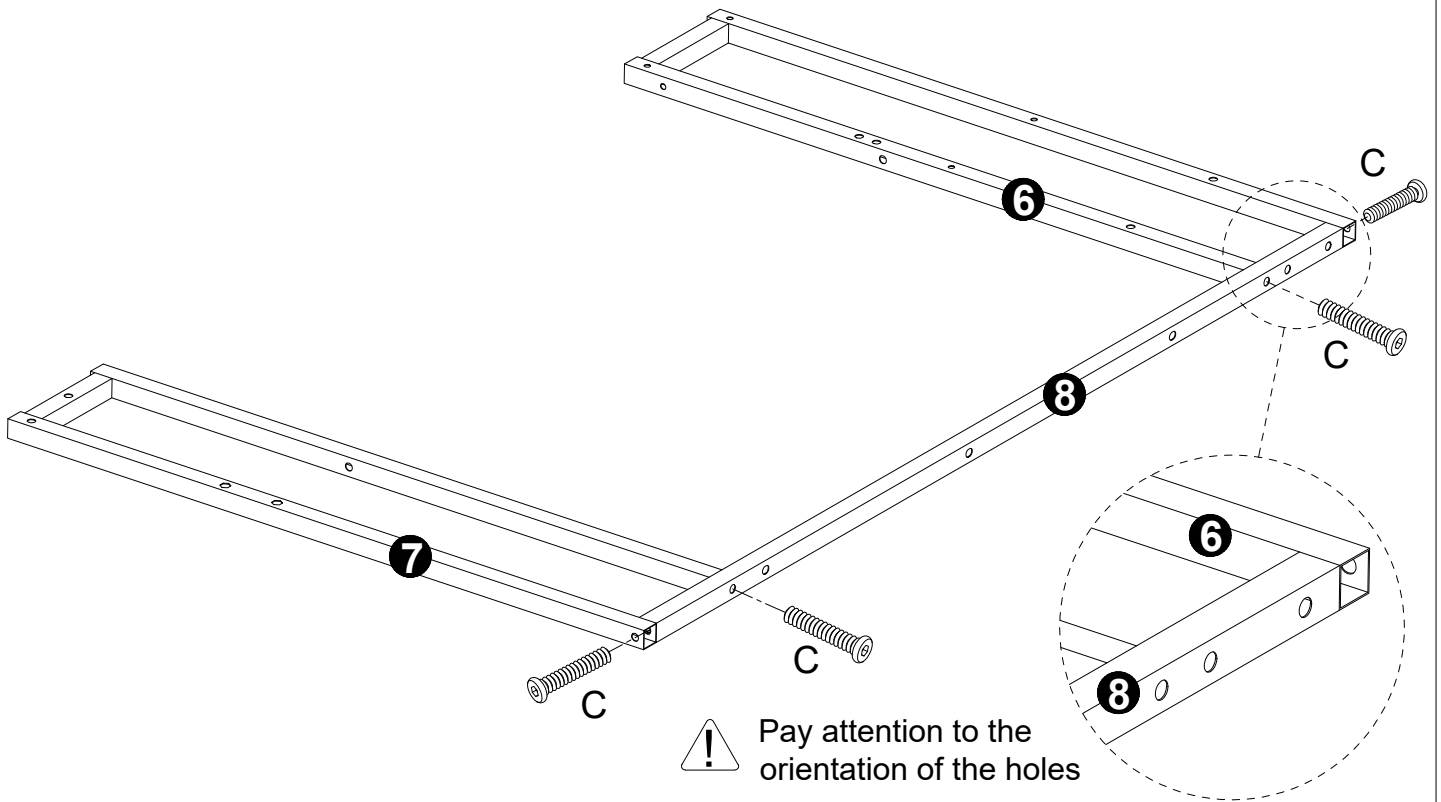
B M6X12
 x2

H M6X45
 x3



3

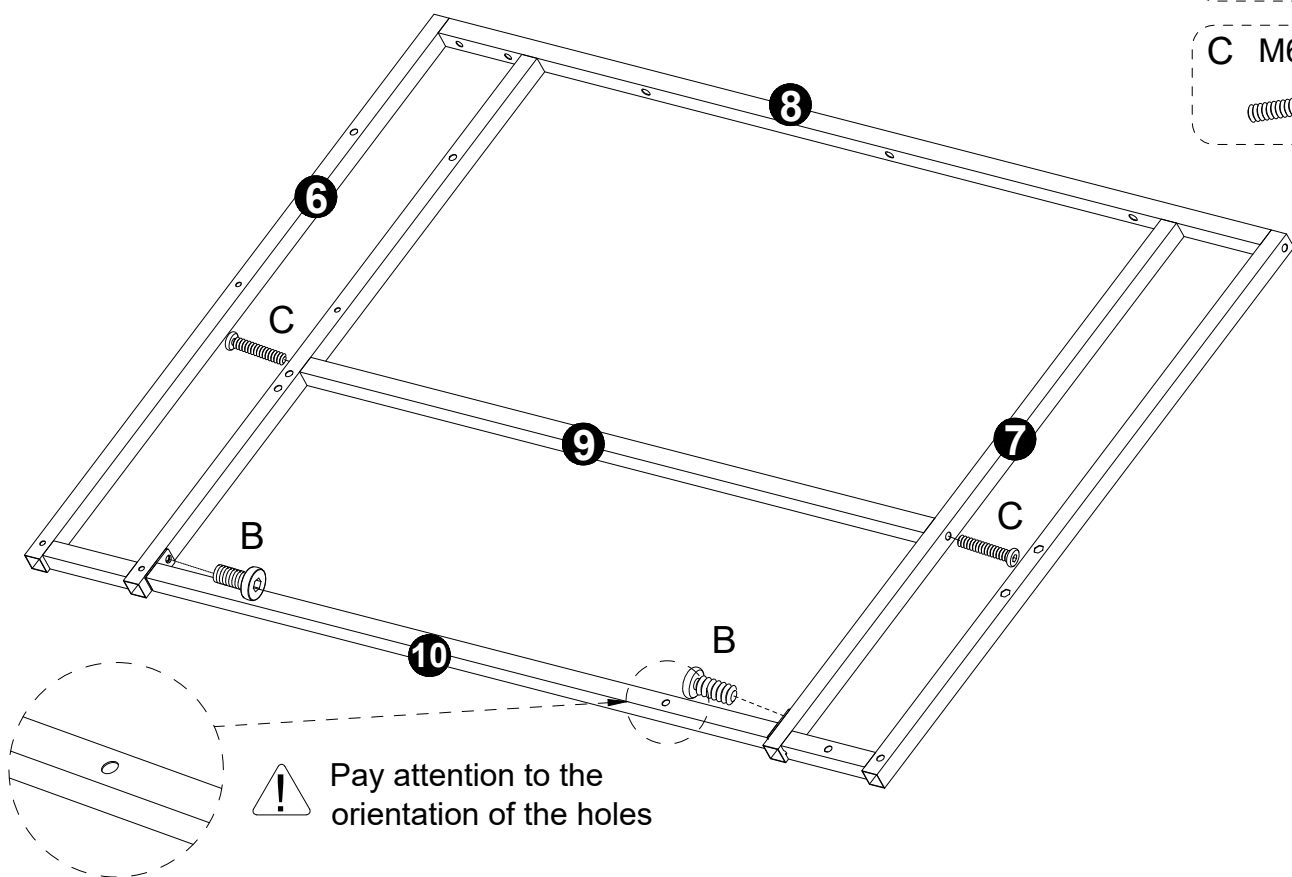
C M6X40
 x4



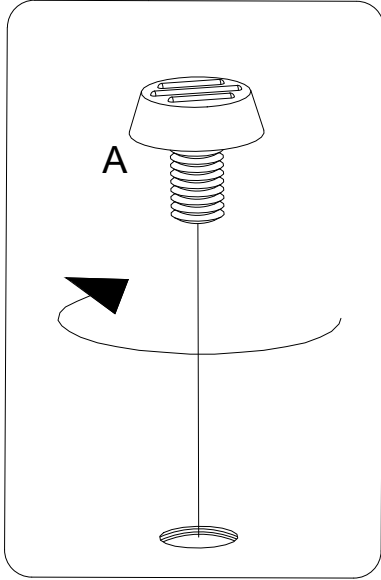
4


B M6X12
 x2

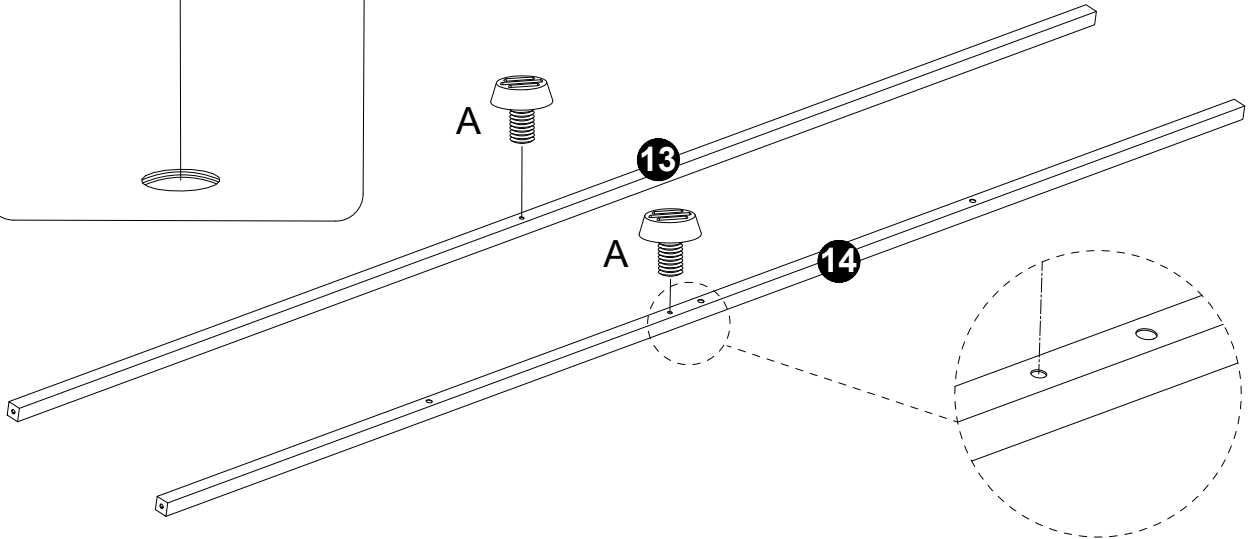
C M6X40
 x2



5



A M6
 x2



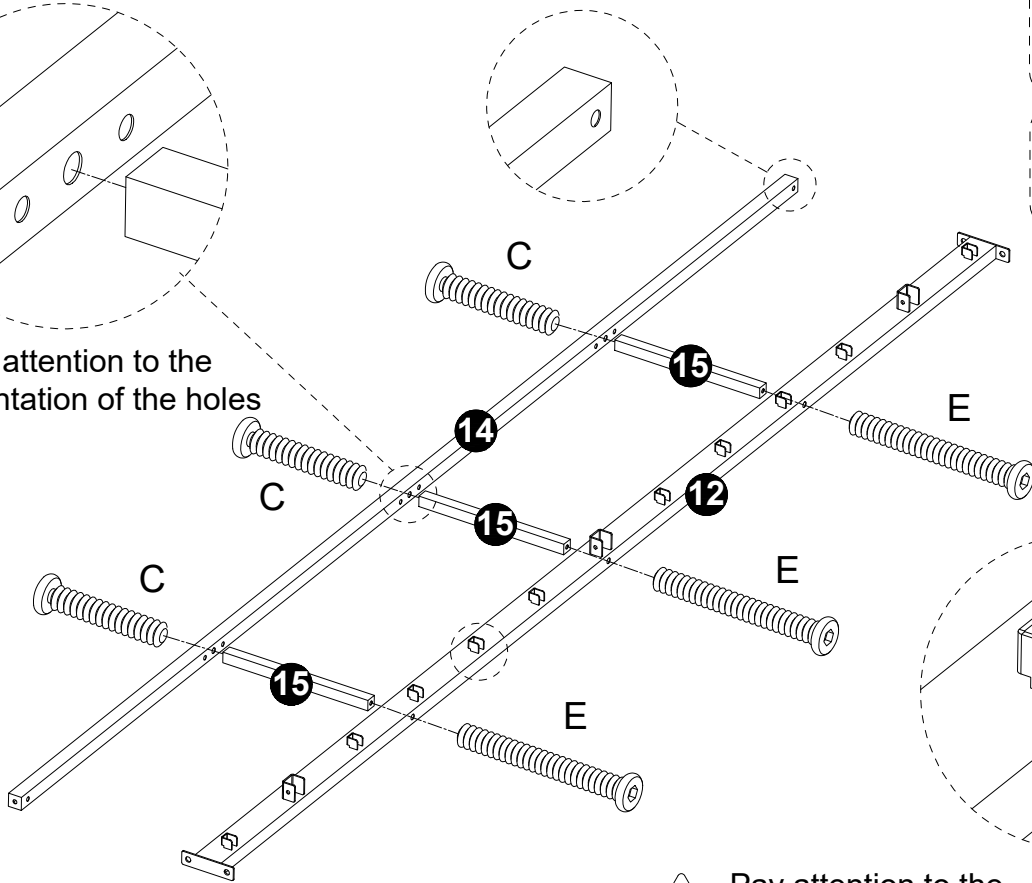
6

C M6X40
 x3

E M6X60
 x3



Pay attention to the orientation of the holes

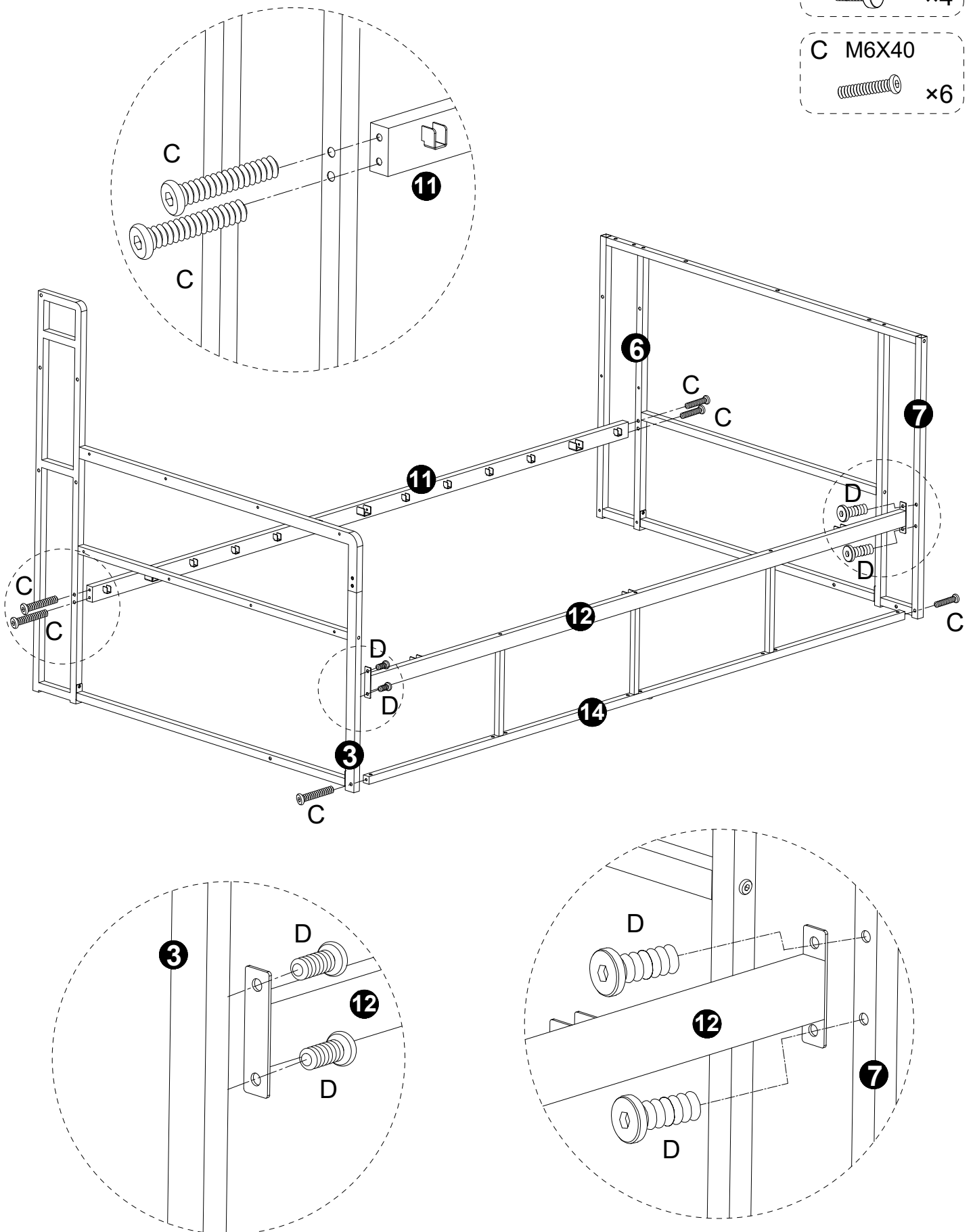


Pay attention to the groove direction

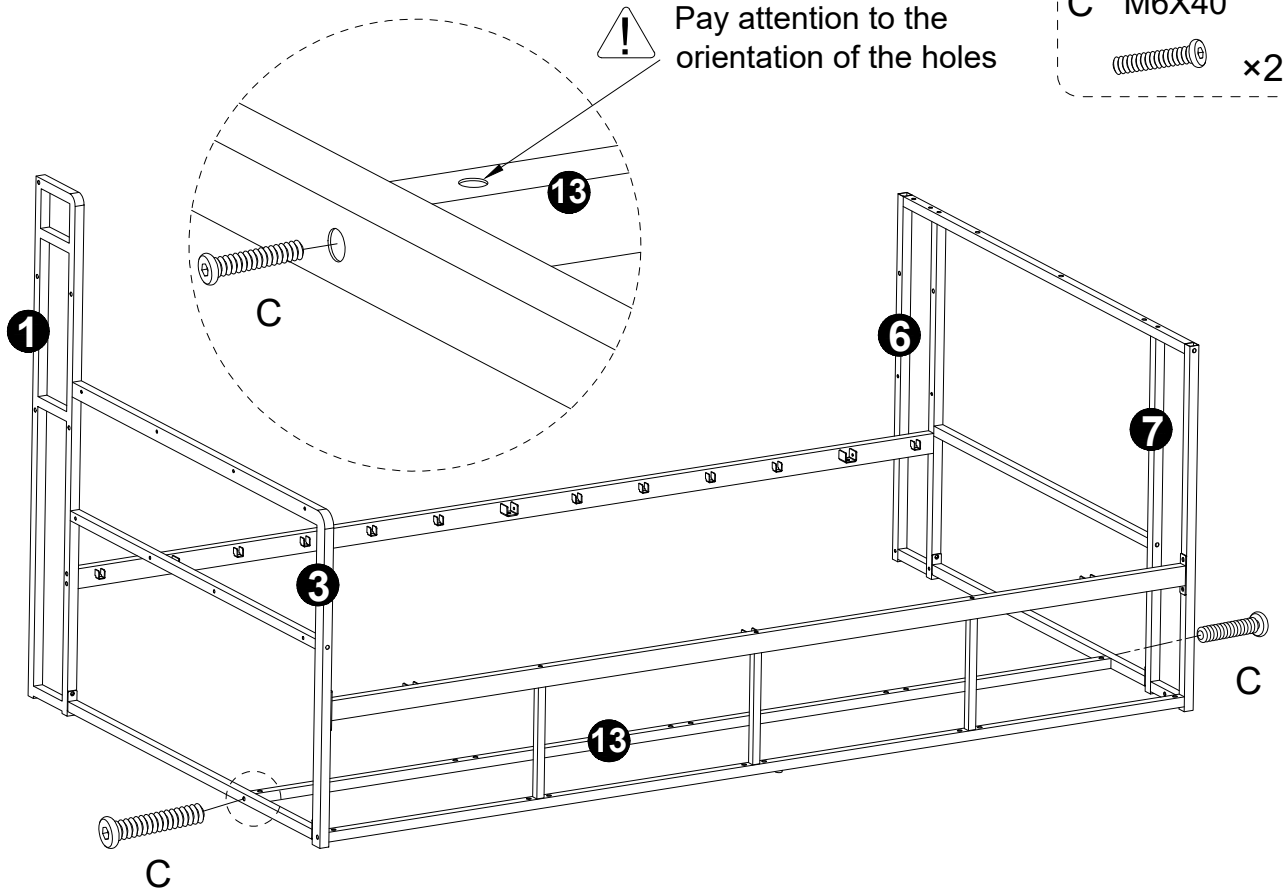
7

D M6X15
 ×4

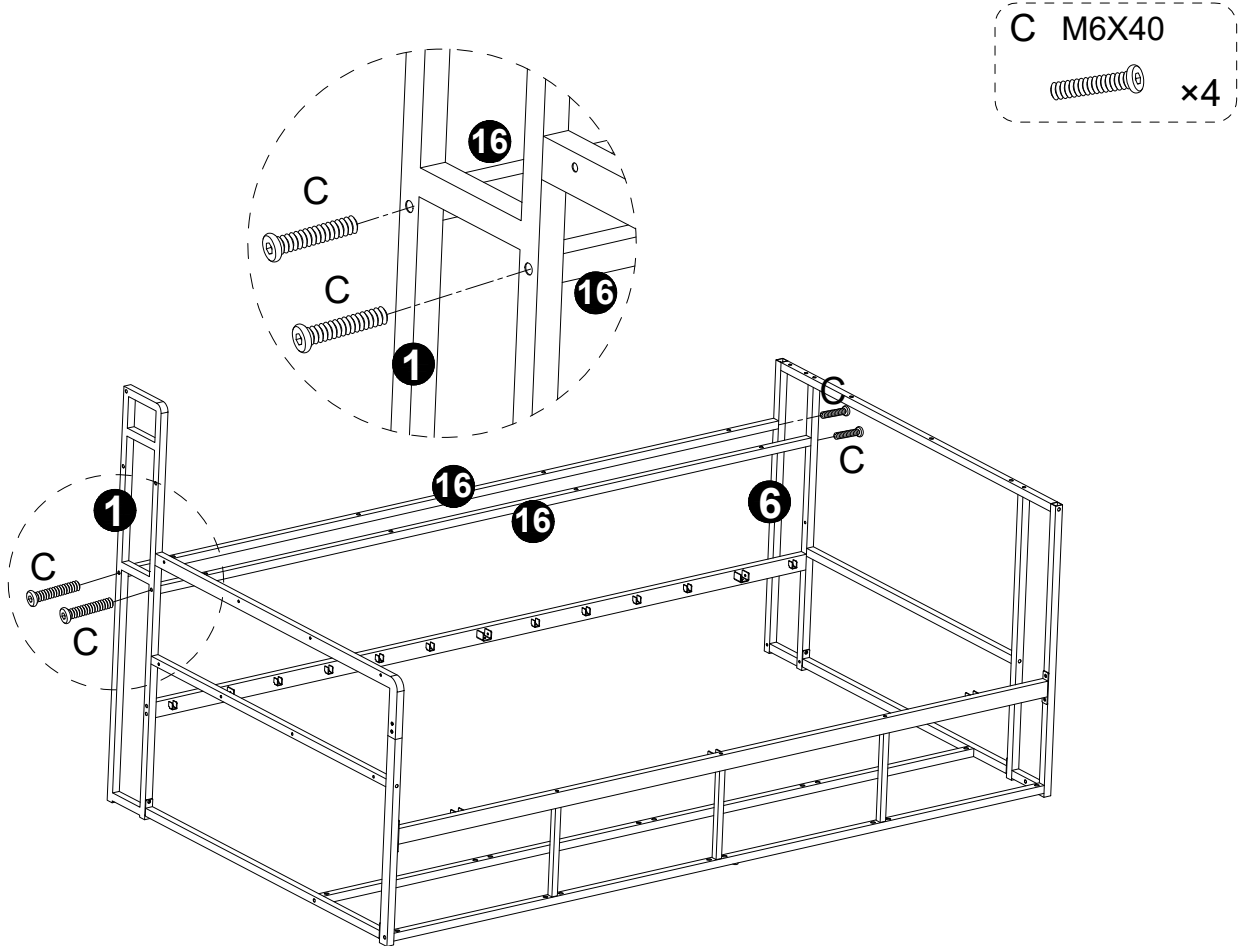
C M6X40
 ×6



8

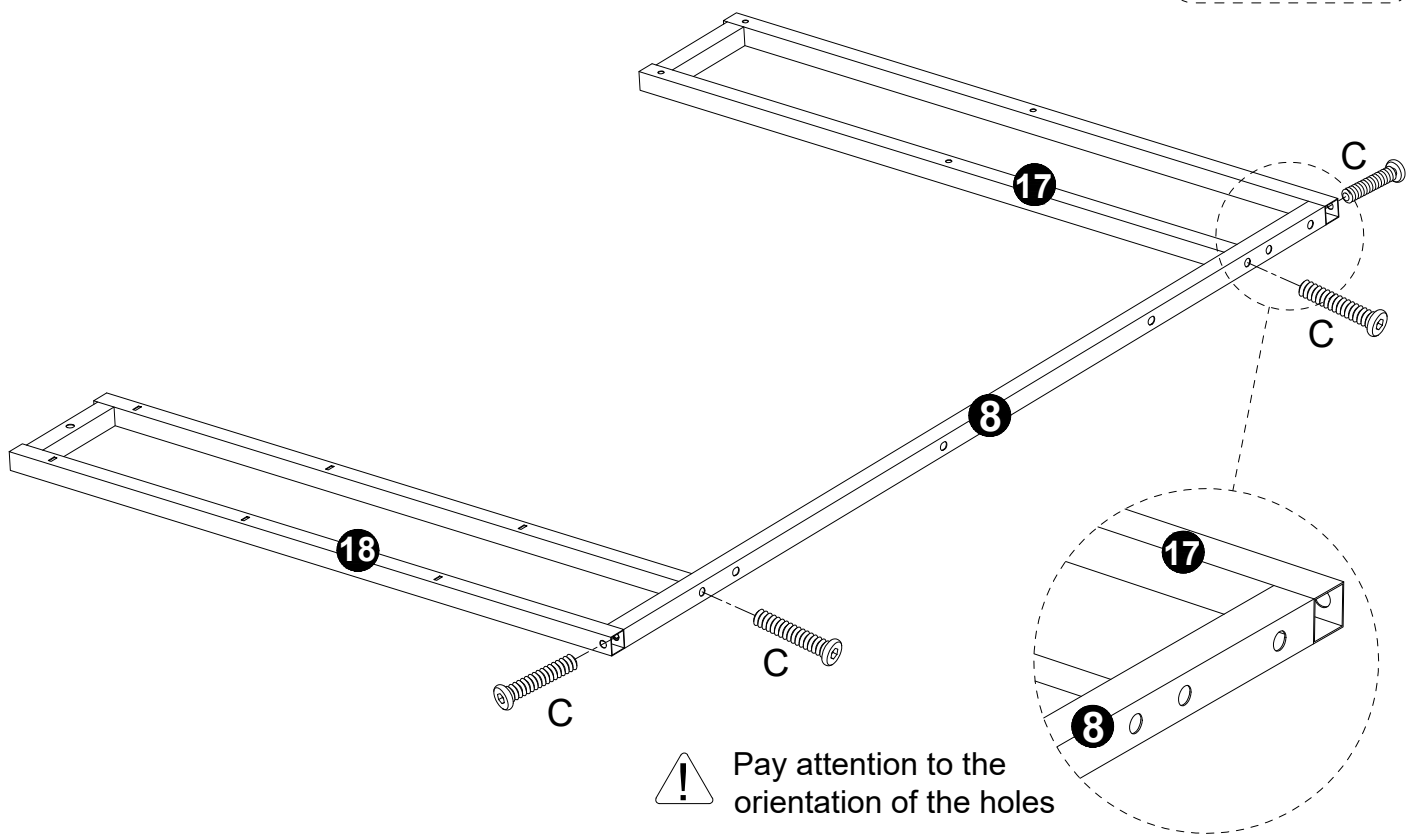


9



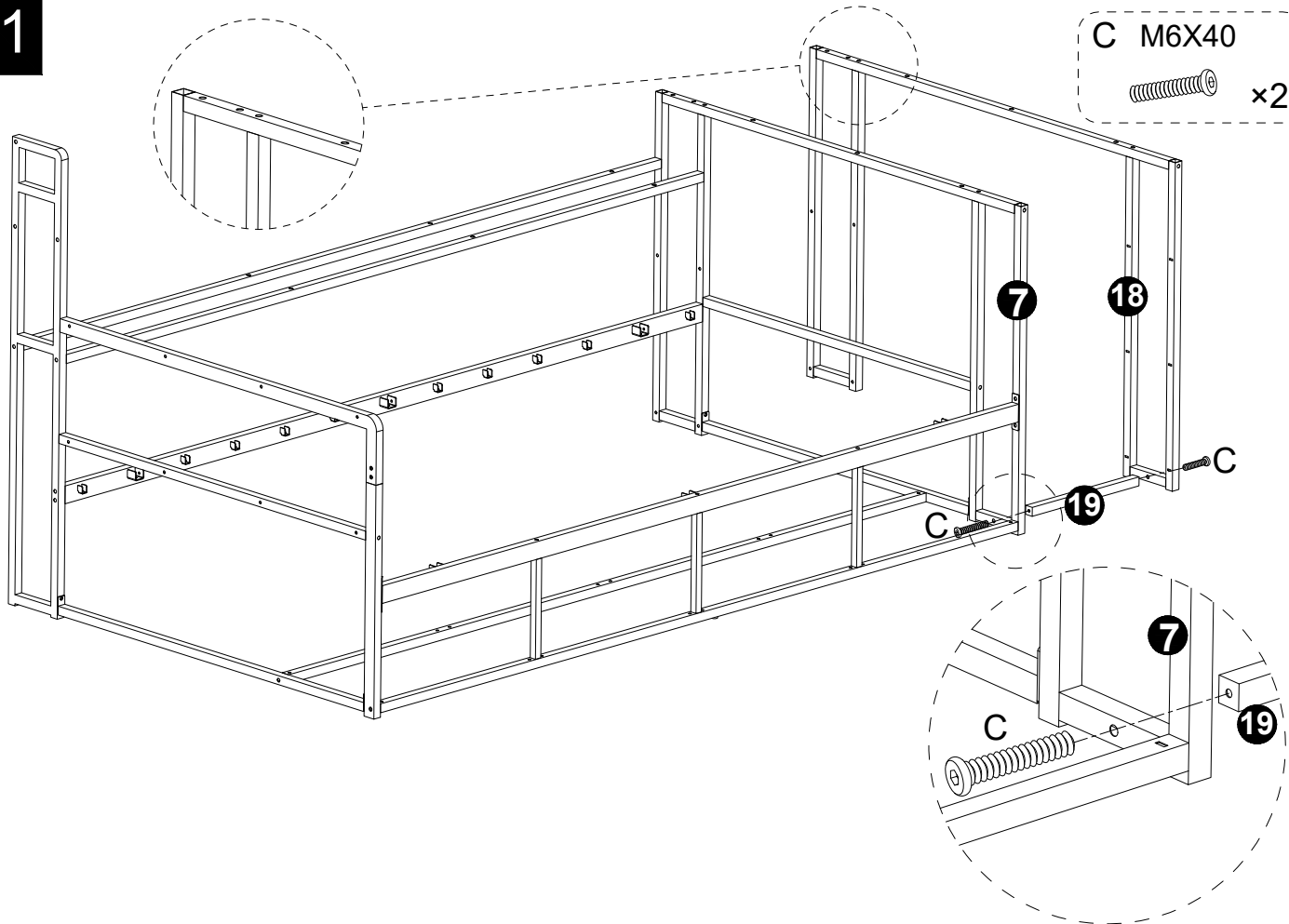
10

C M6X40
x4



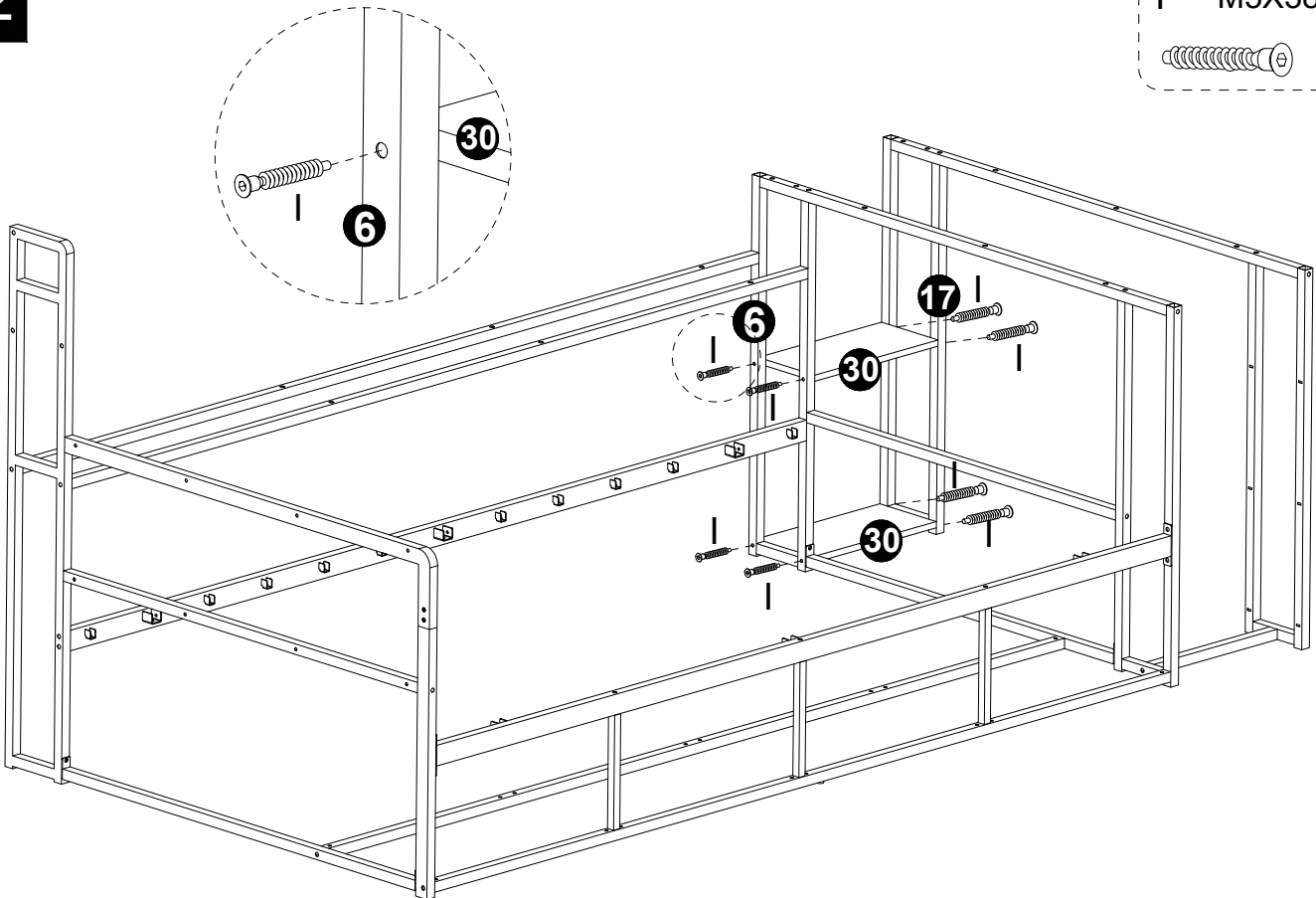
11

C M6X40
x2



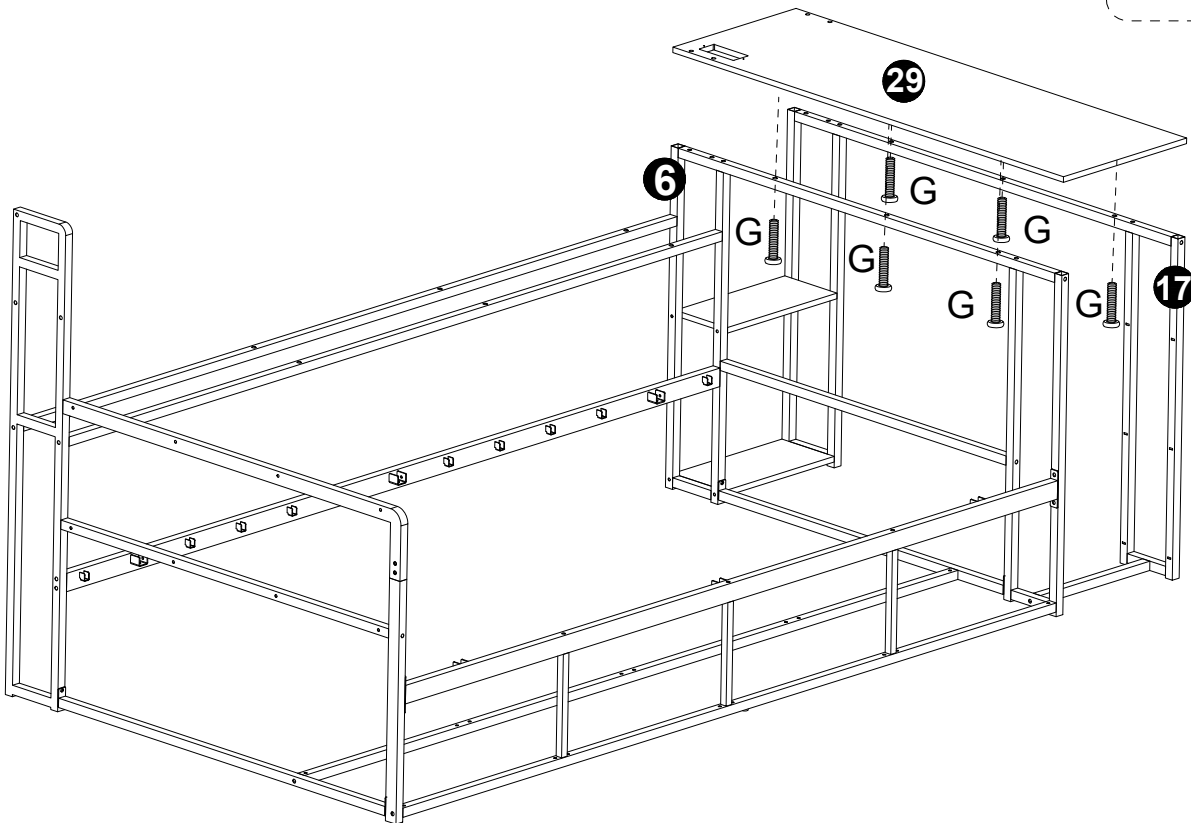
12

I M5X38
x8

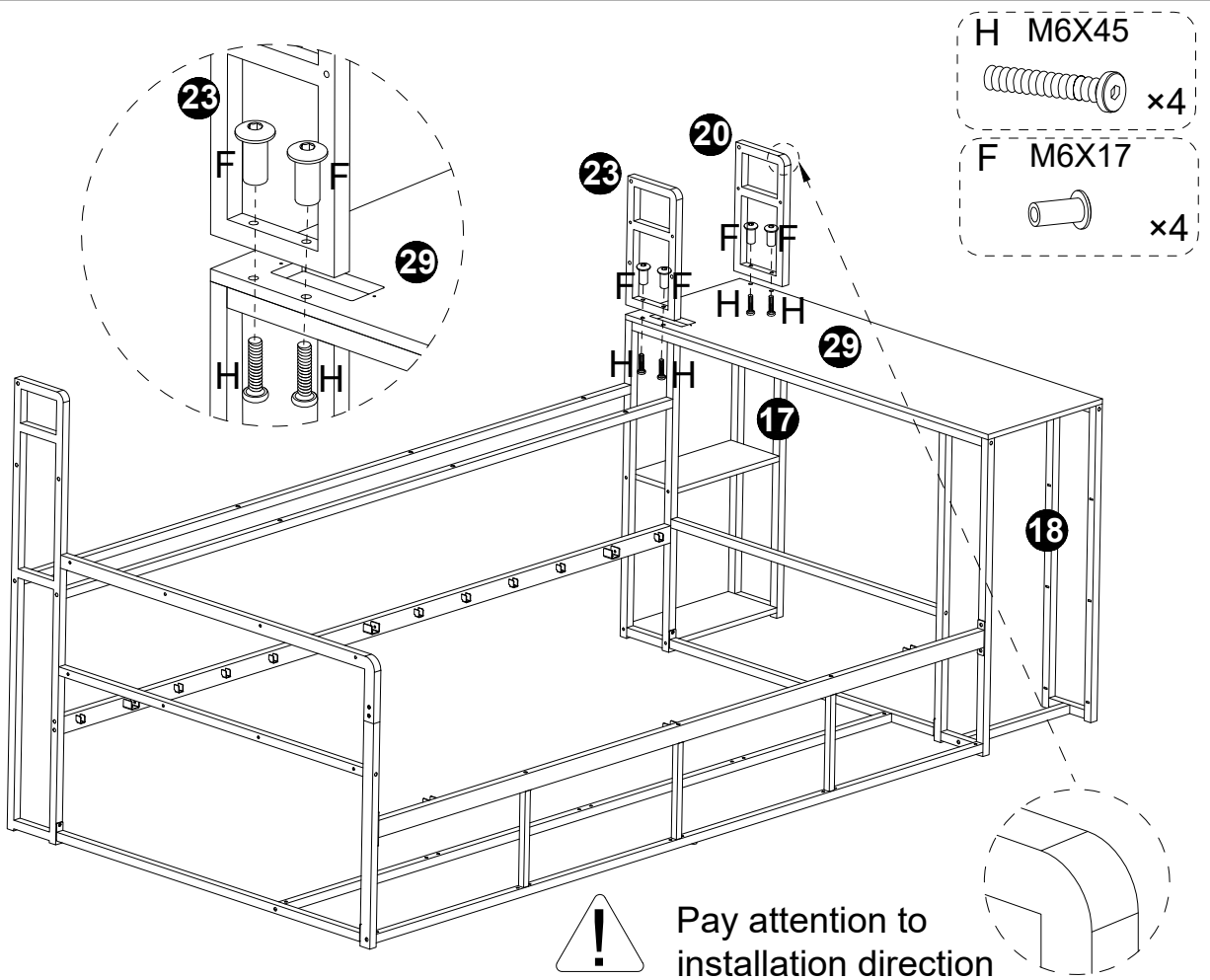


13

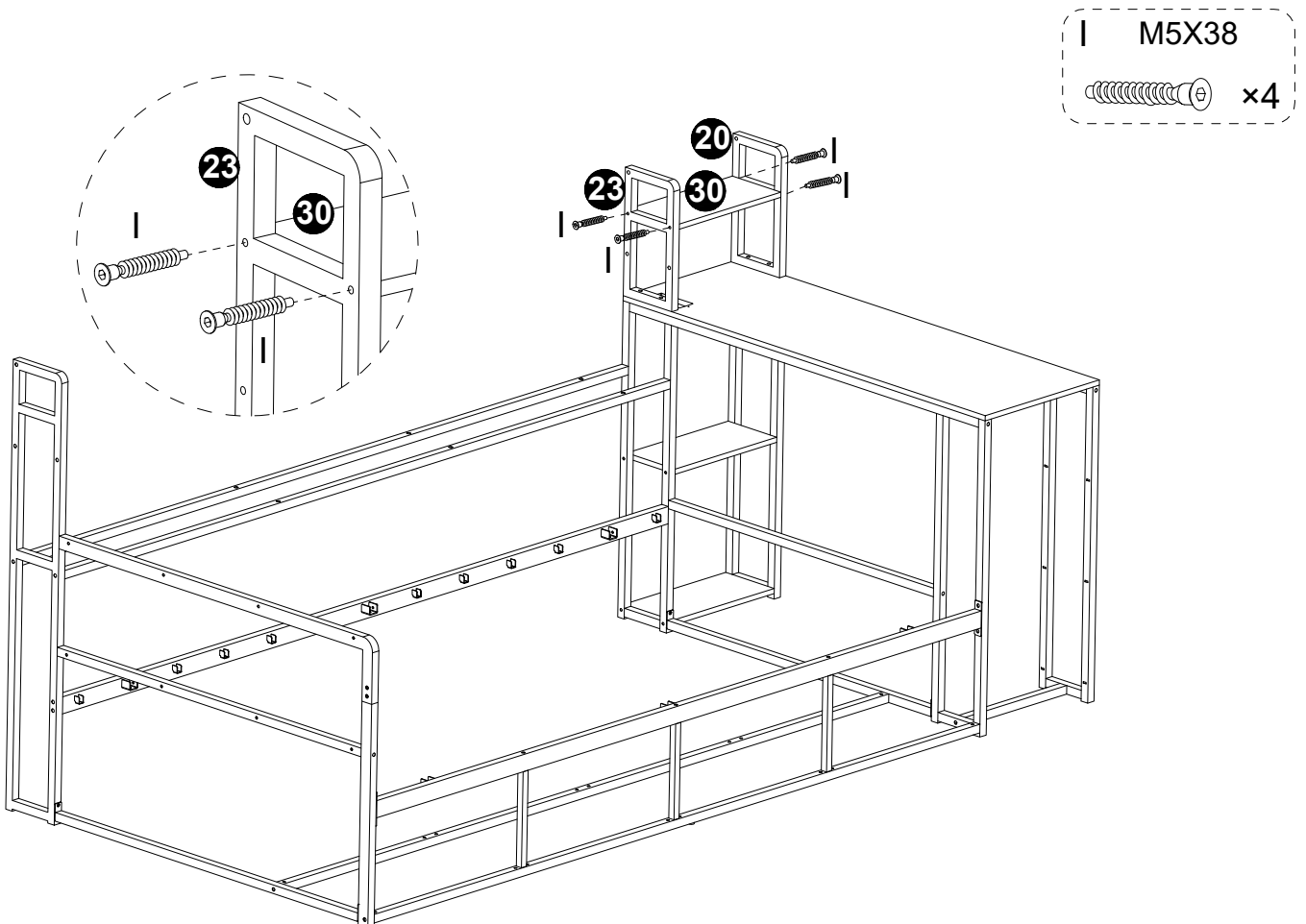
G M6X28
x6



14



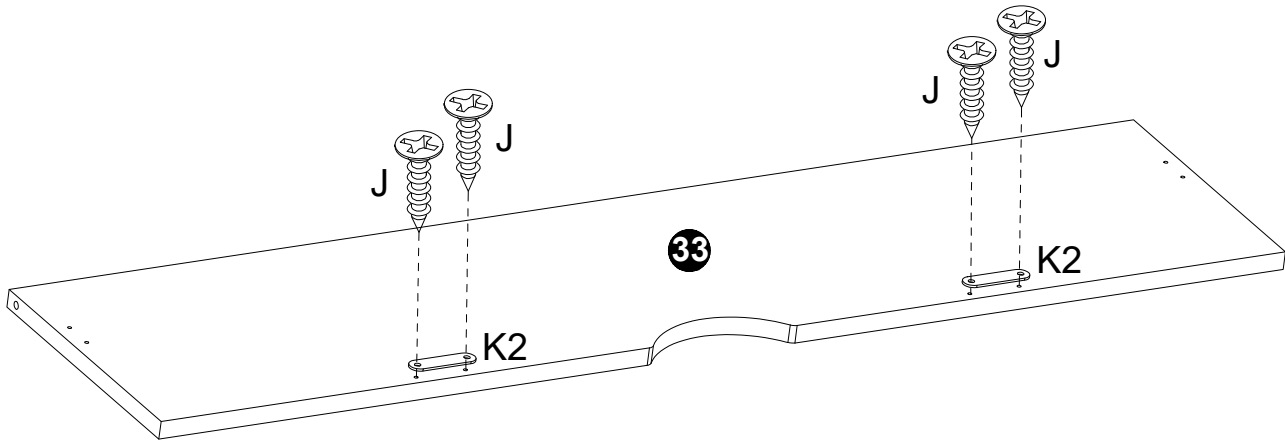
15



16

J ST3.5X12
x4

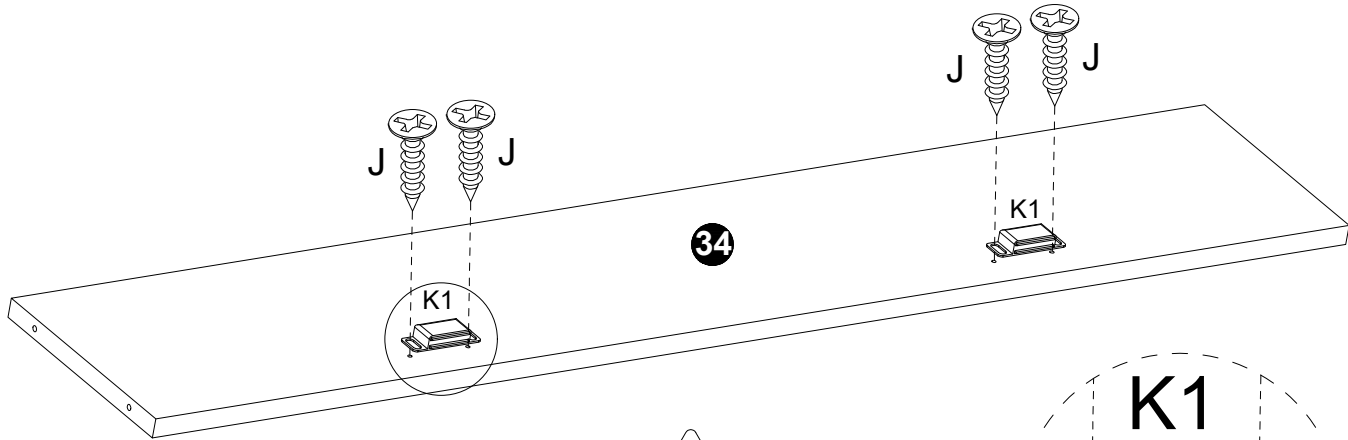
K
K2 x2



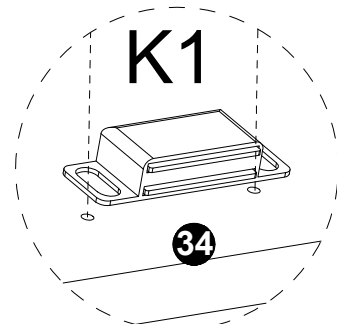
17

J ST3.5X12
x4

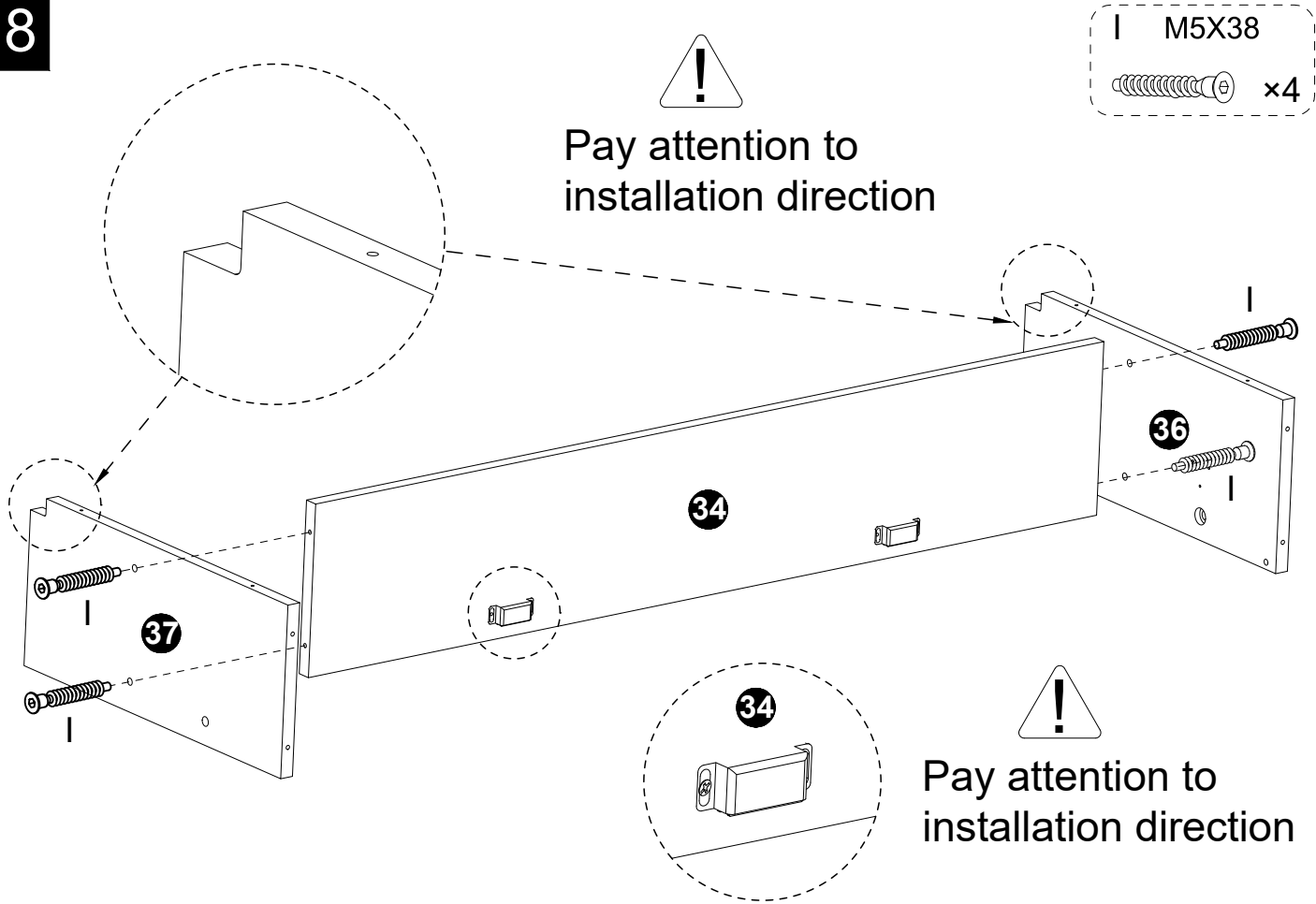
K
K1 x2



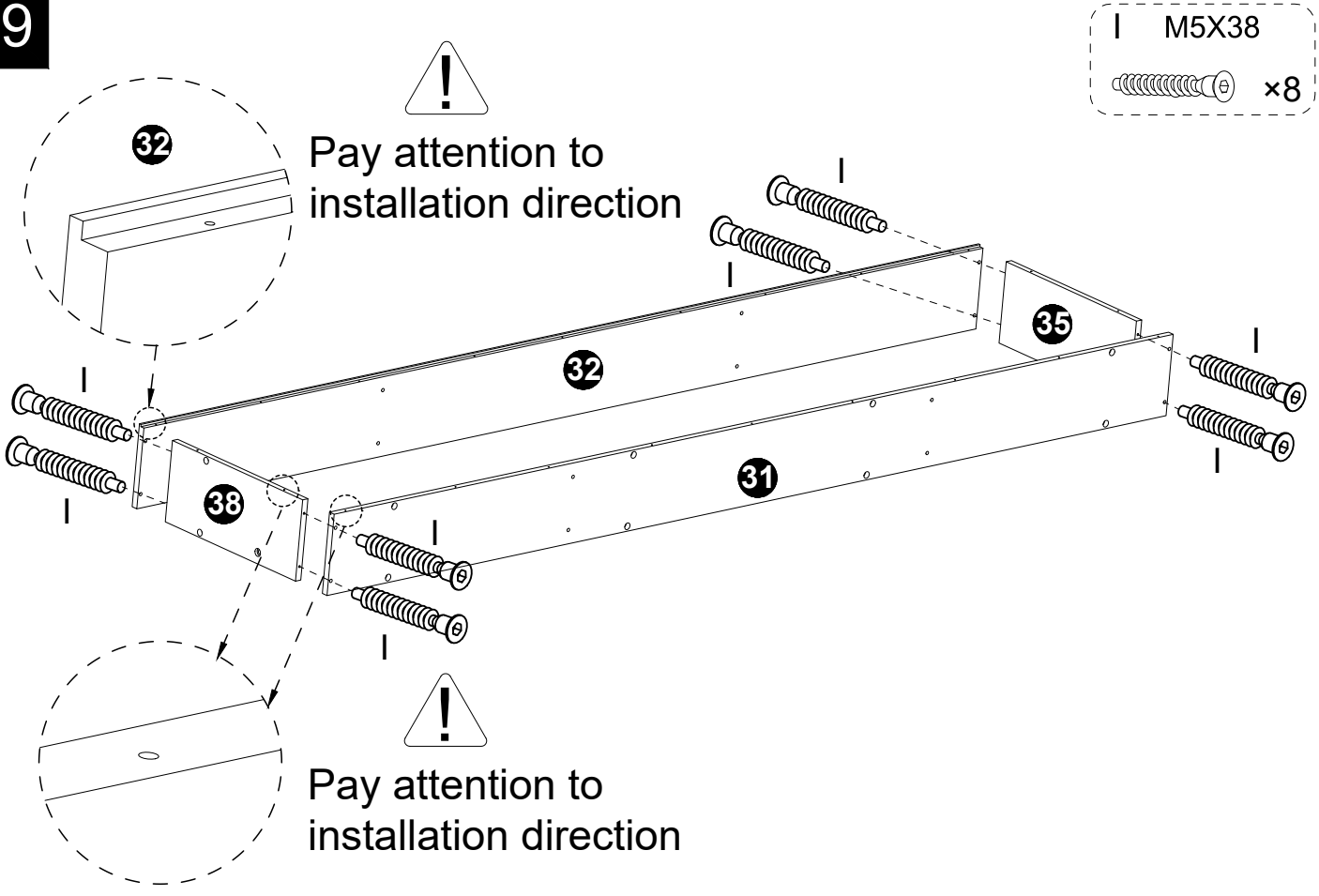
Pay attention to installation direction



18



19

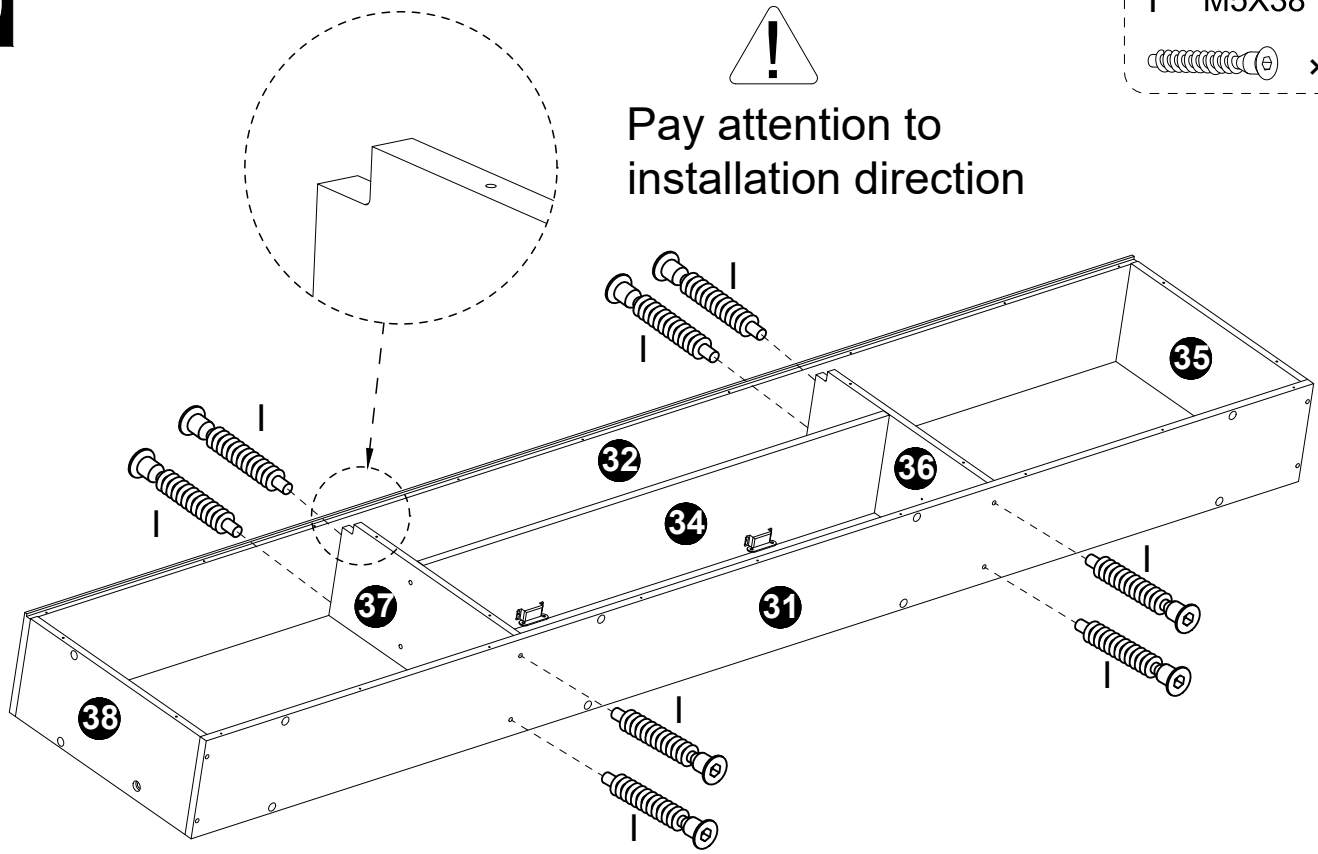


20

I M5X38
×8

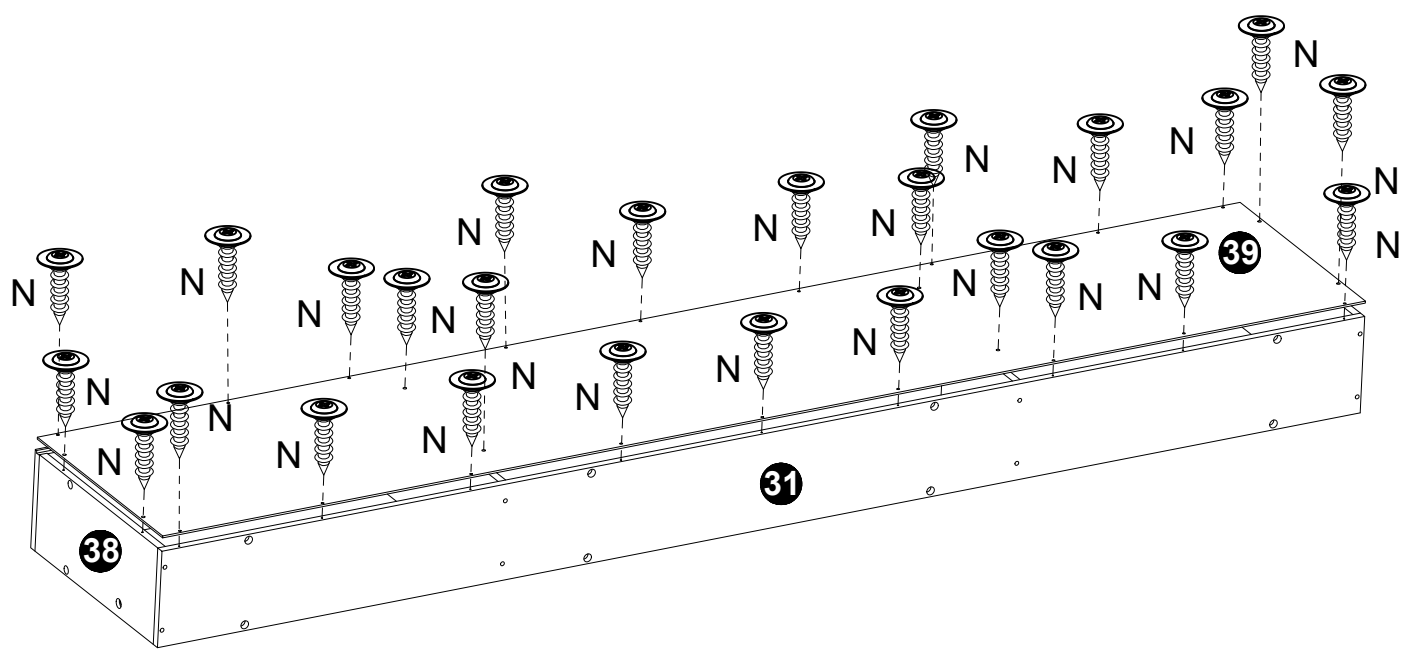


Pay attention to installation direction

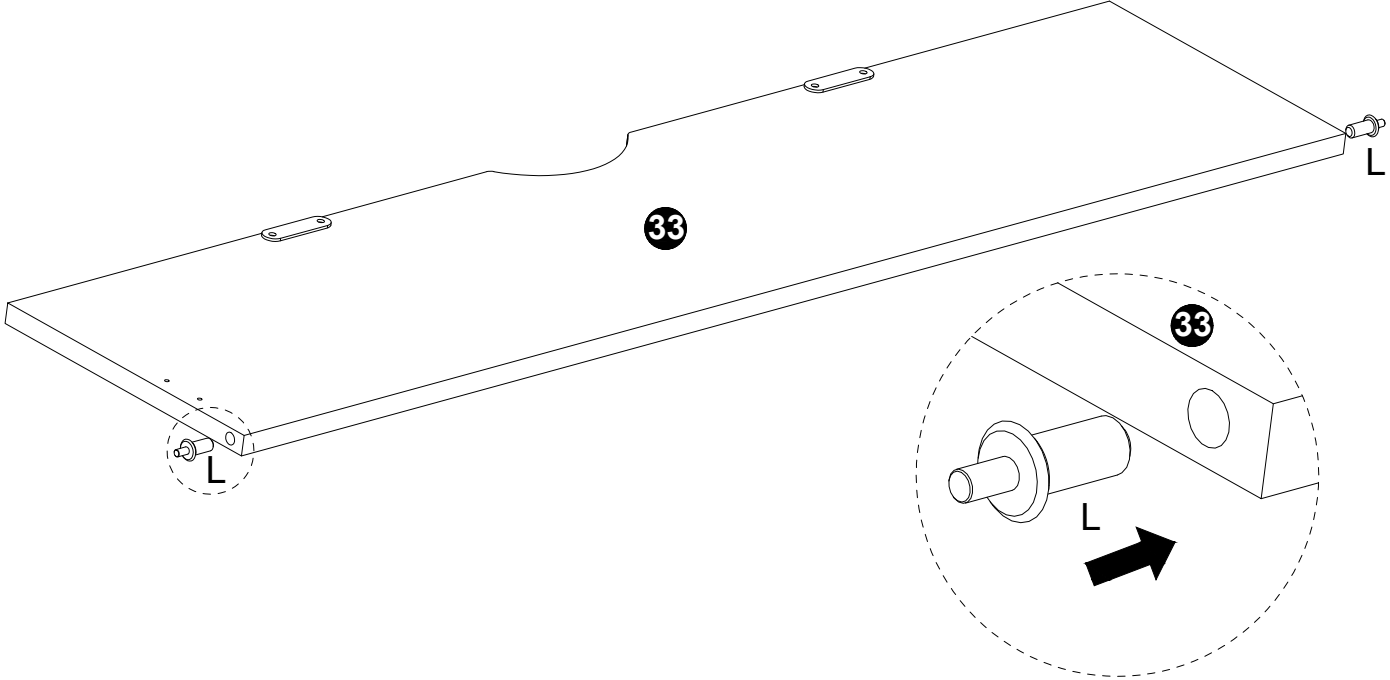
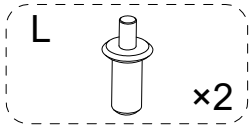


21

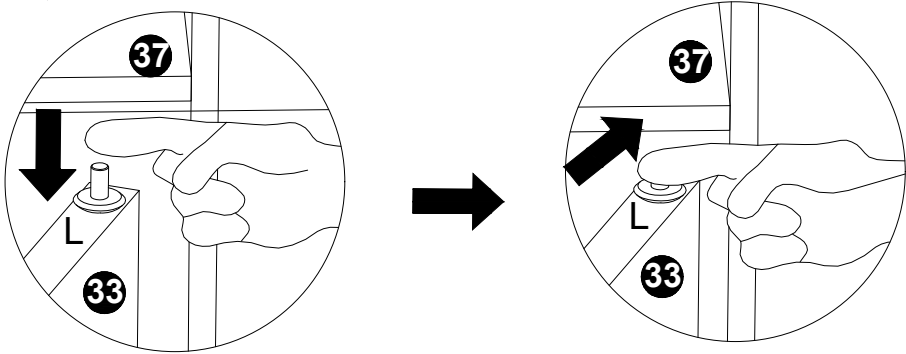
N ST3X16
×26



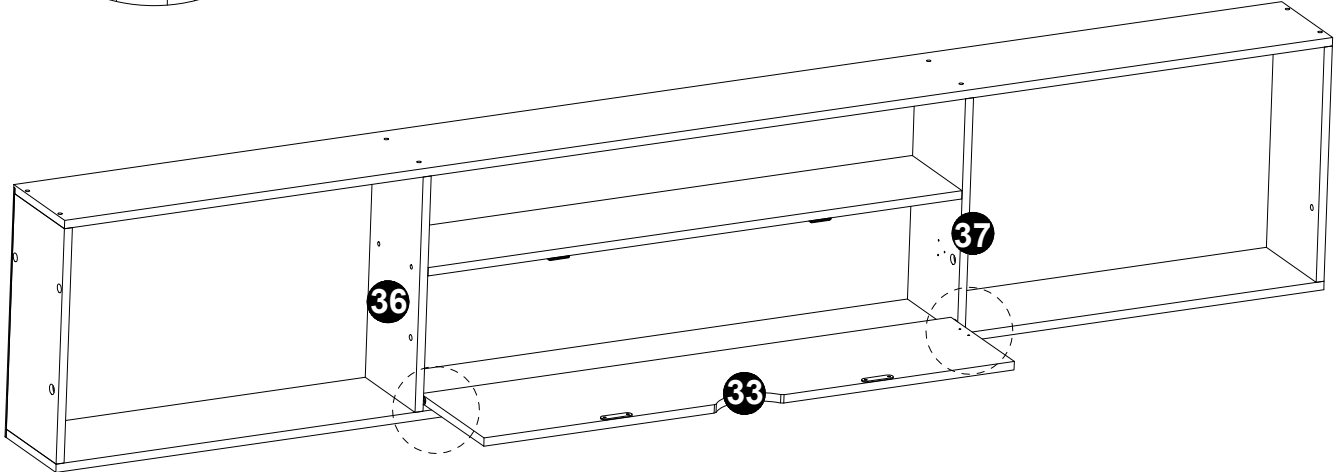
22



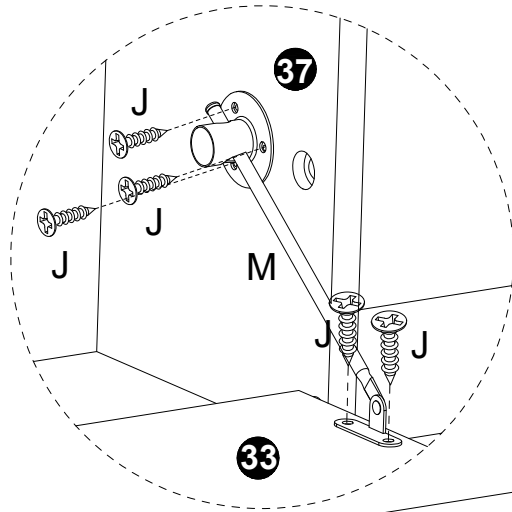
23




First press down the L component with your hand, and then insert it into hole number 36 and 37.

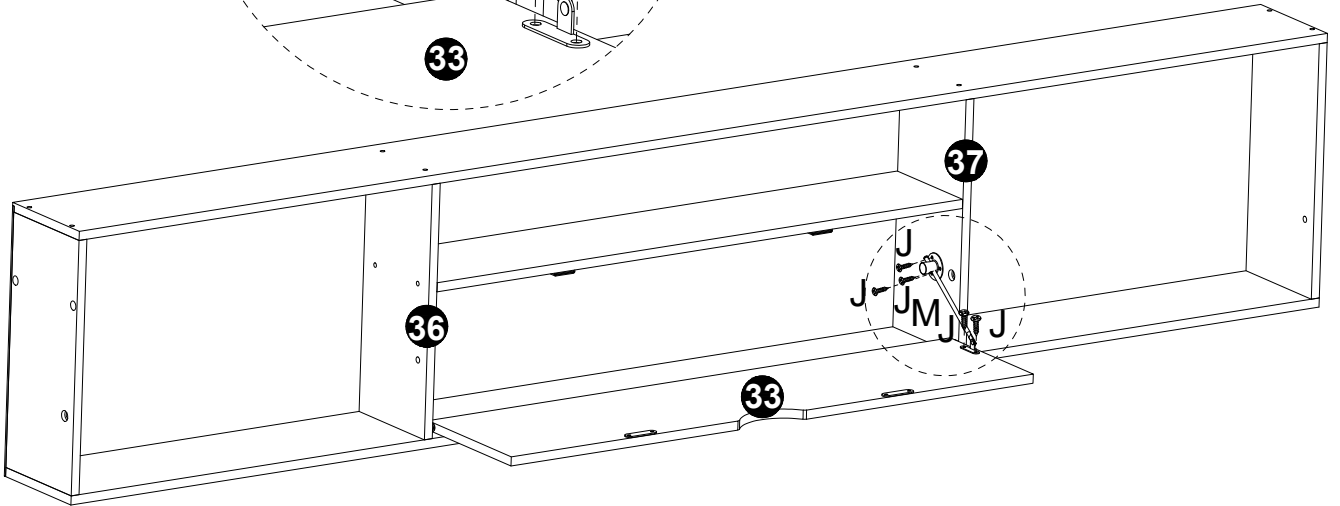


24

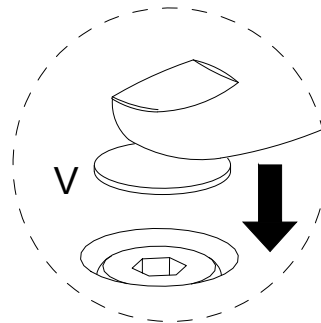
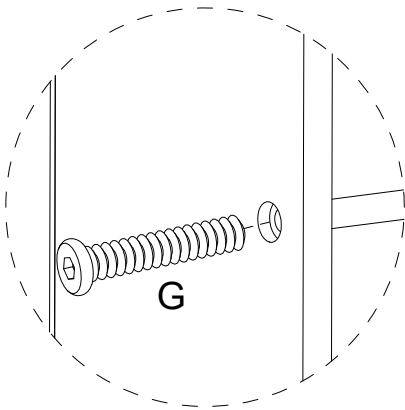


J ST3.5X12
 x5


M
 x1



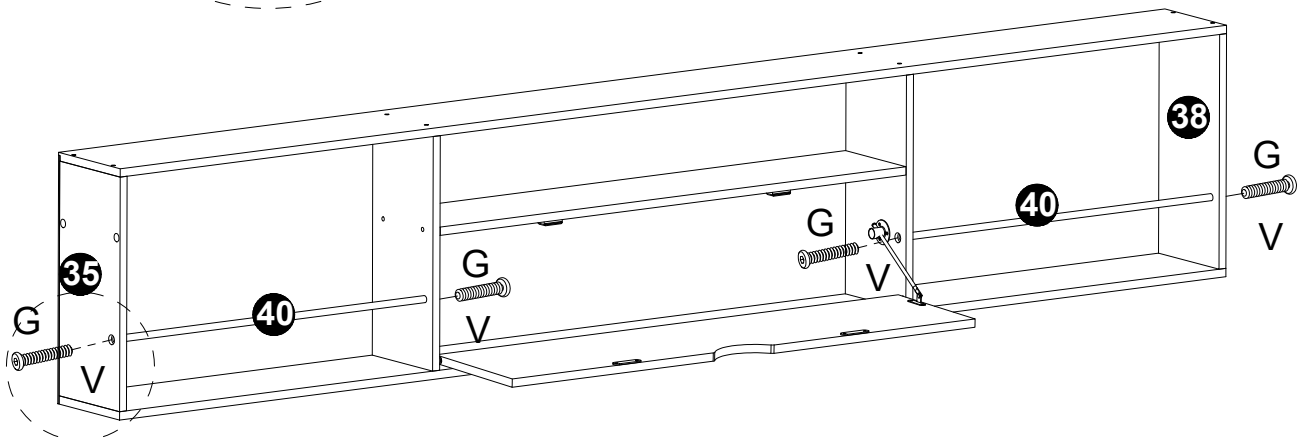
25



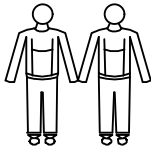
G M6X28
 x4

V
 x4

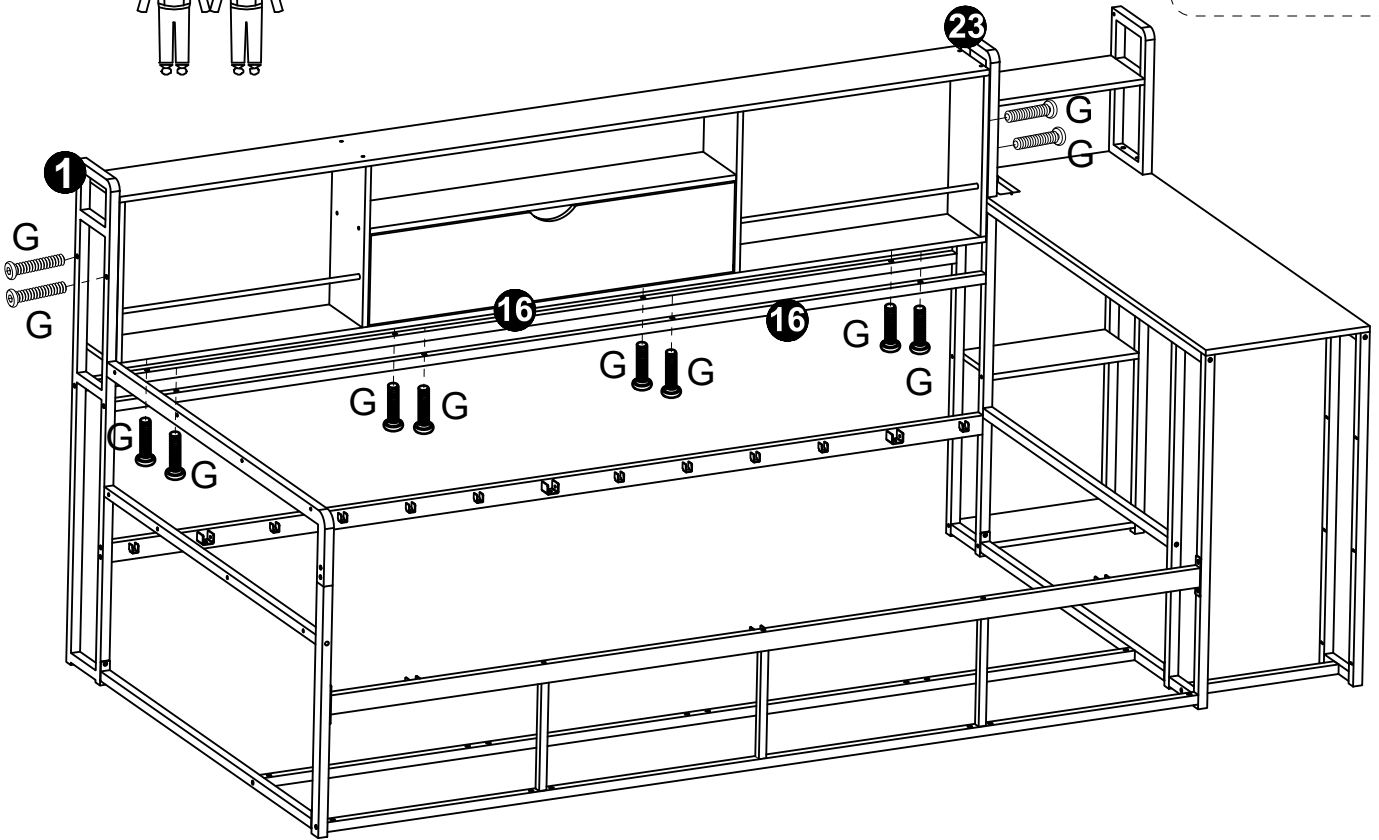
Press component V into the hole
 after screw installation



26

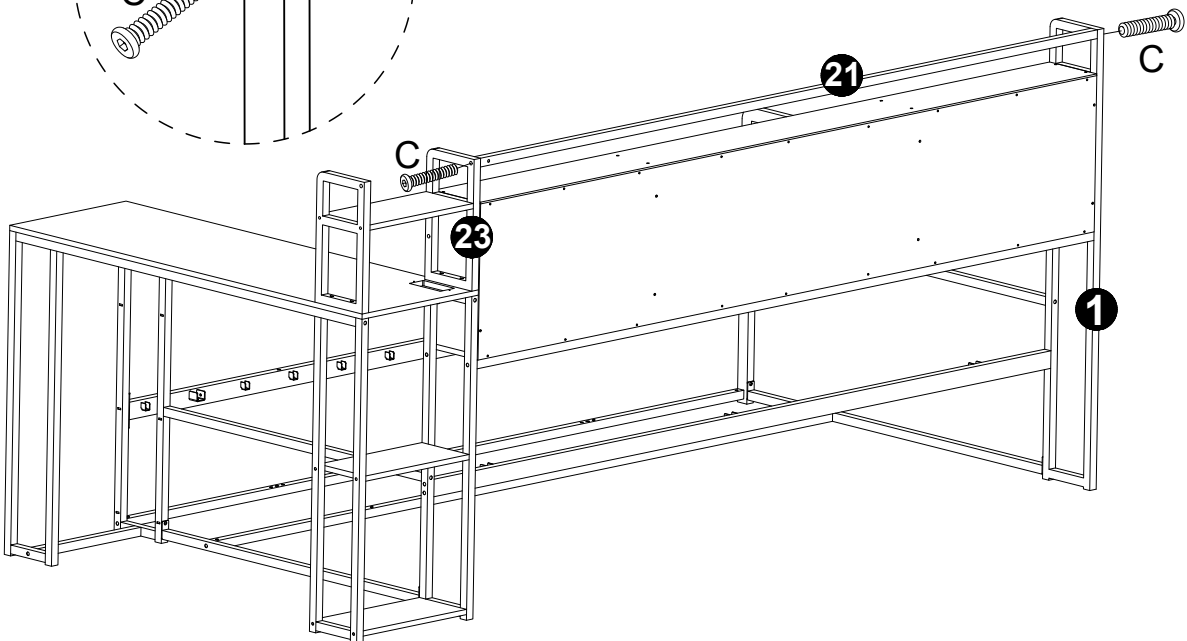
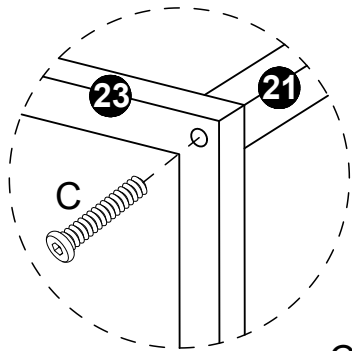


G M6X28
x12

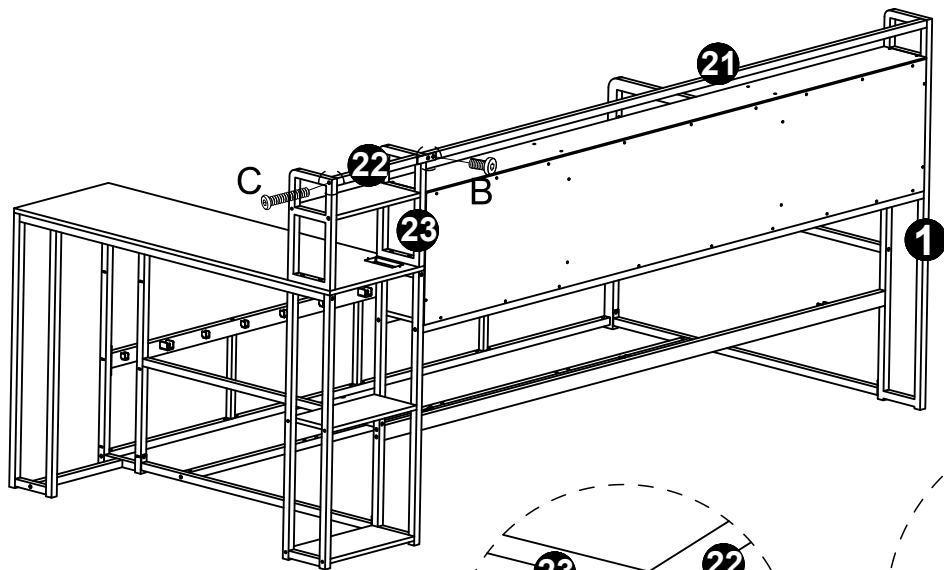


27

C M6X40
x2



28



B M6X12

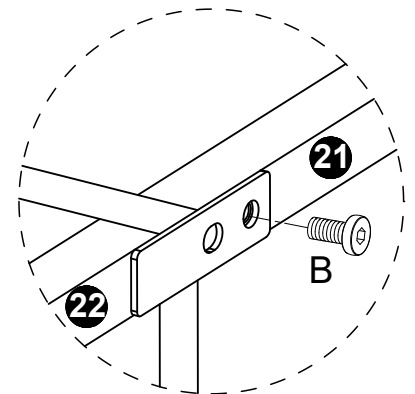
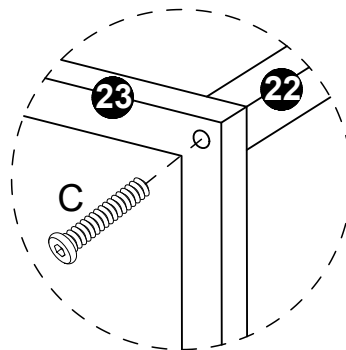


x1

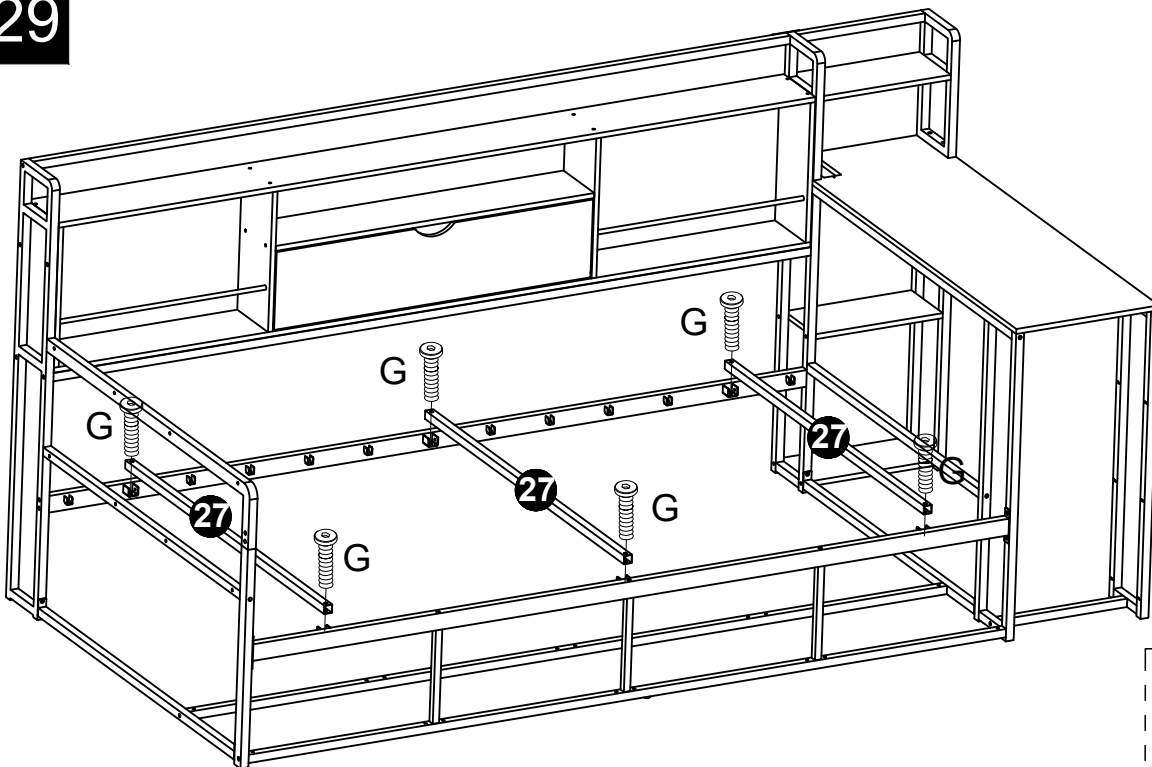
C M6X40



x1



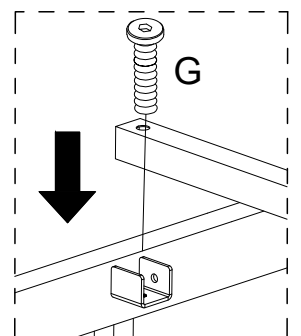
29



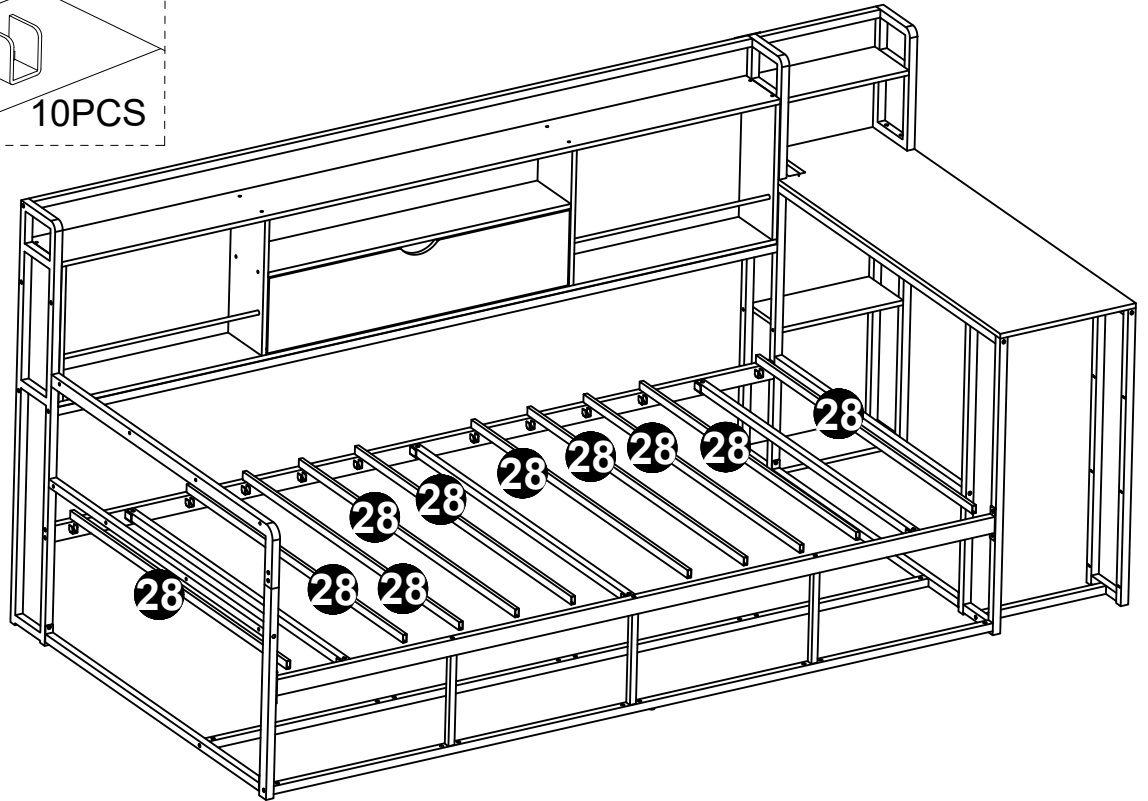
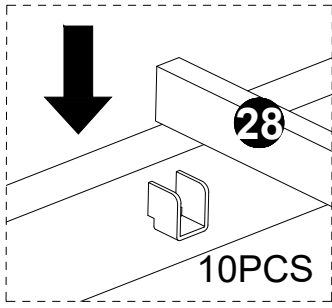
G M6X28



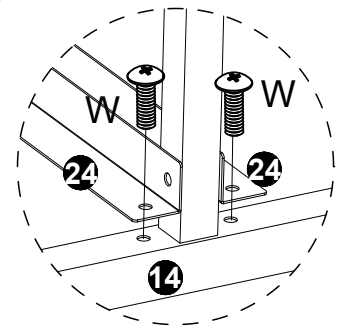
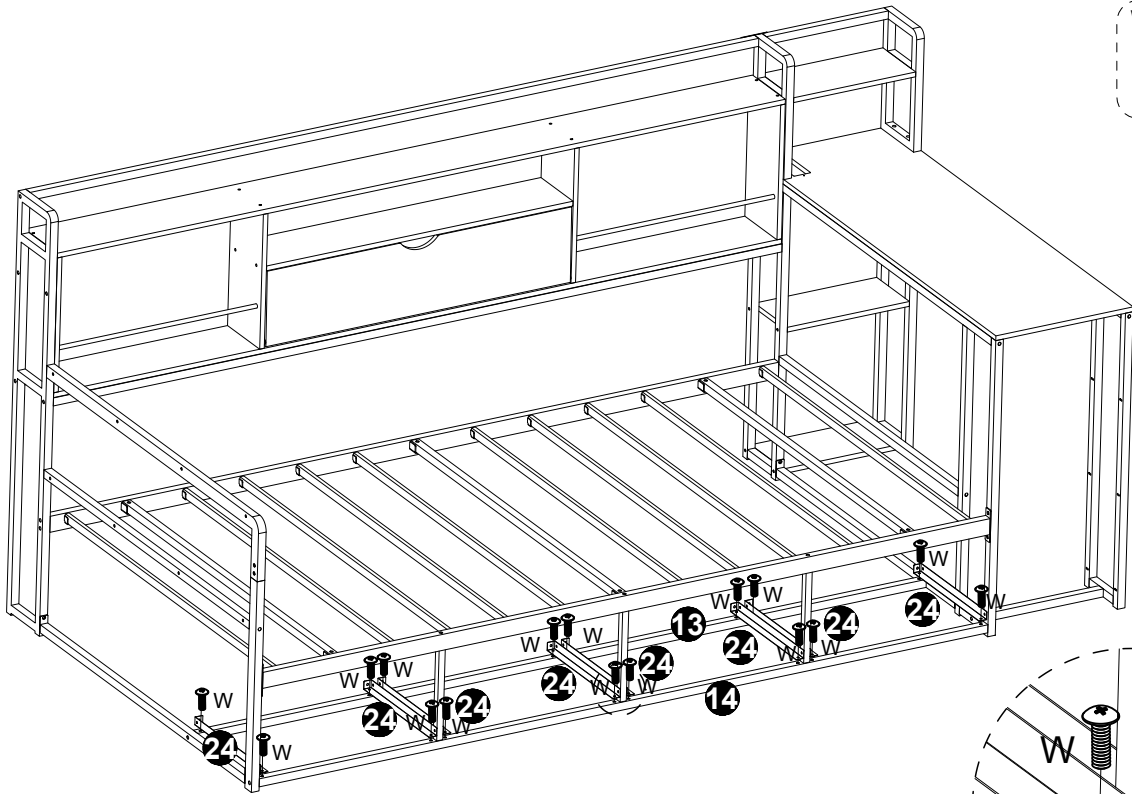
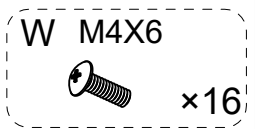
x6



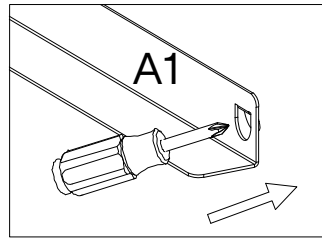
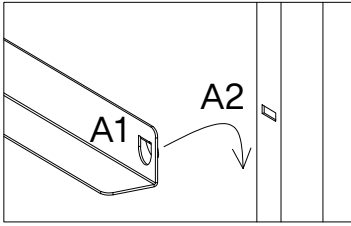
30



31

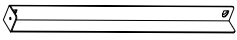


32 Accessory 25 and accessory 26 must be supported with a tool before installation.

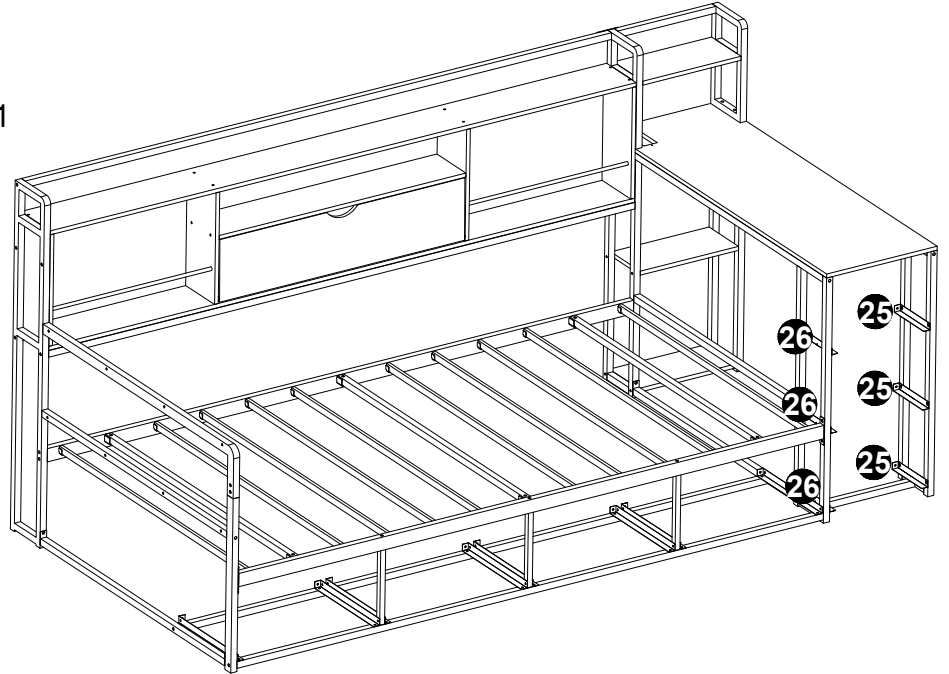
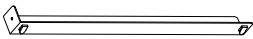


Note that the protruding part of A1 aligns with the squarehole of A2 and then press inward and downward.

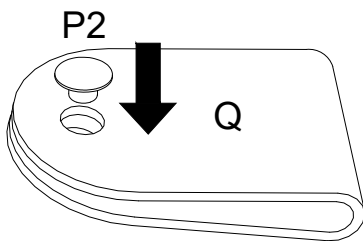
25 3PCS



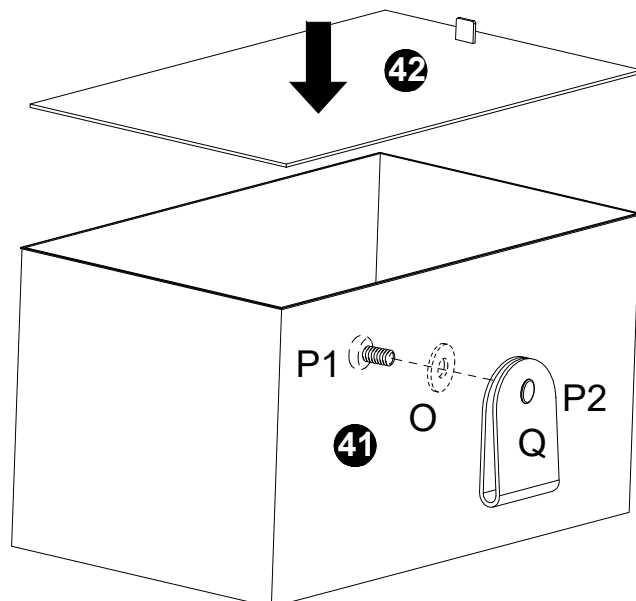
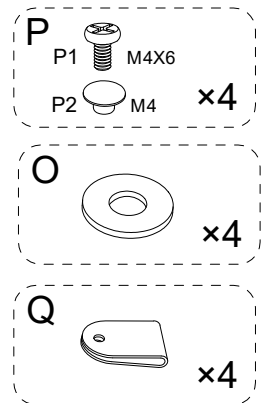
26 3PCS



33

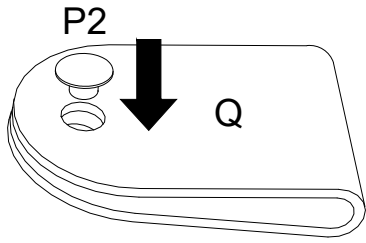


First, press component P2 into component Q by hand

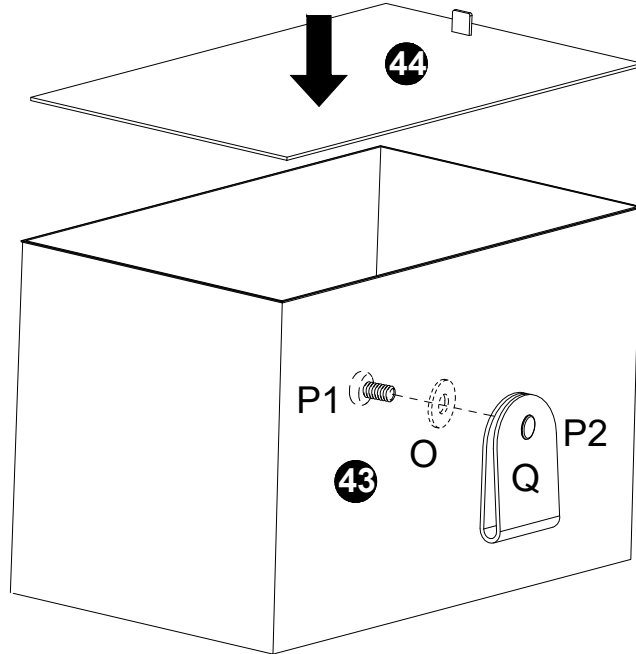
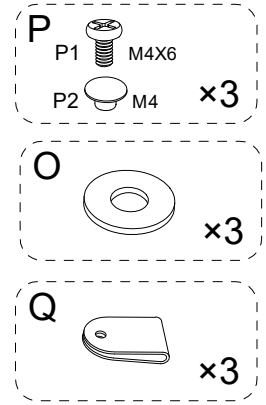


x4

34

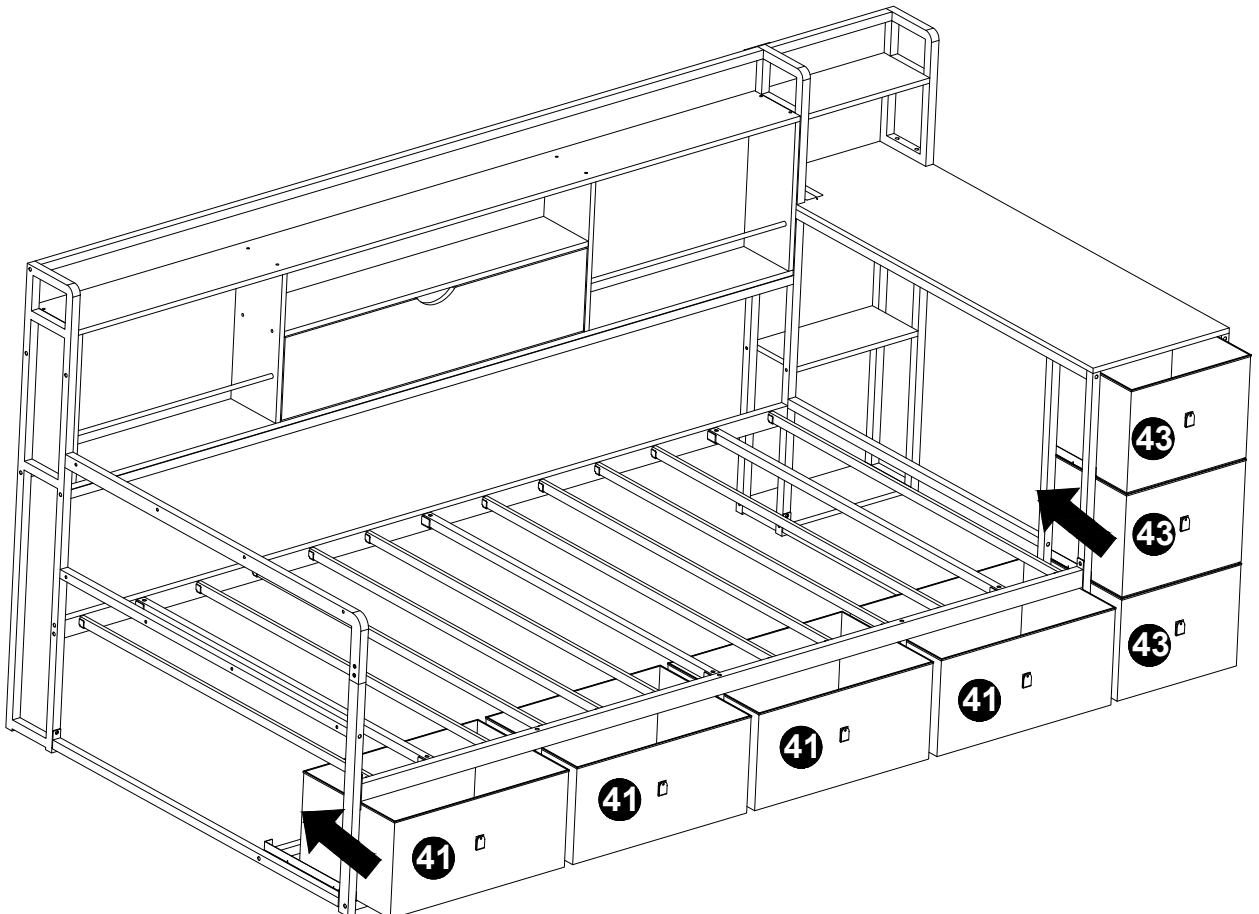


First, press component P2 into component Q by hand



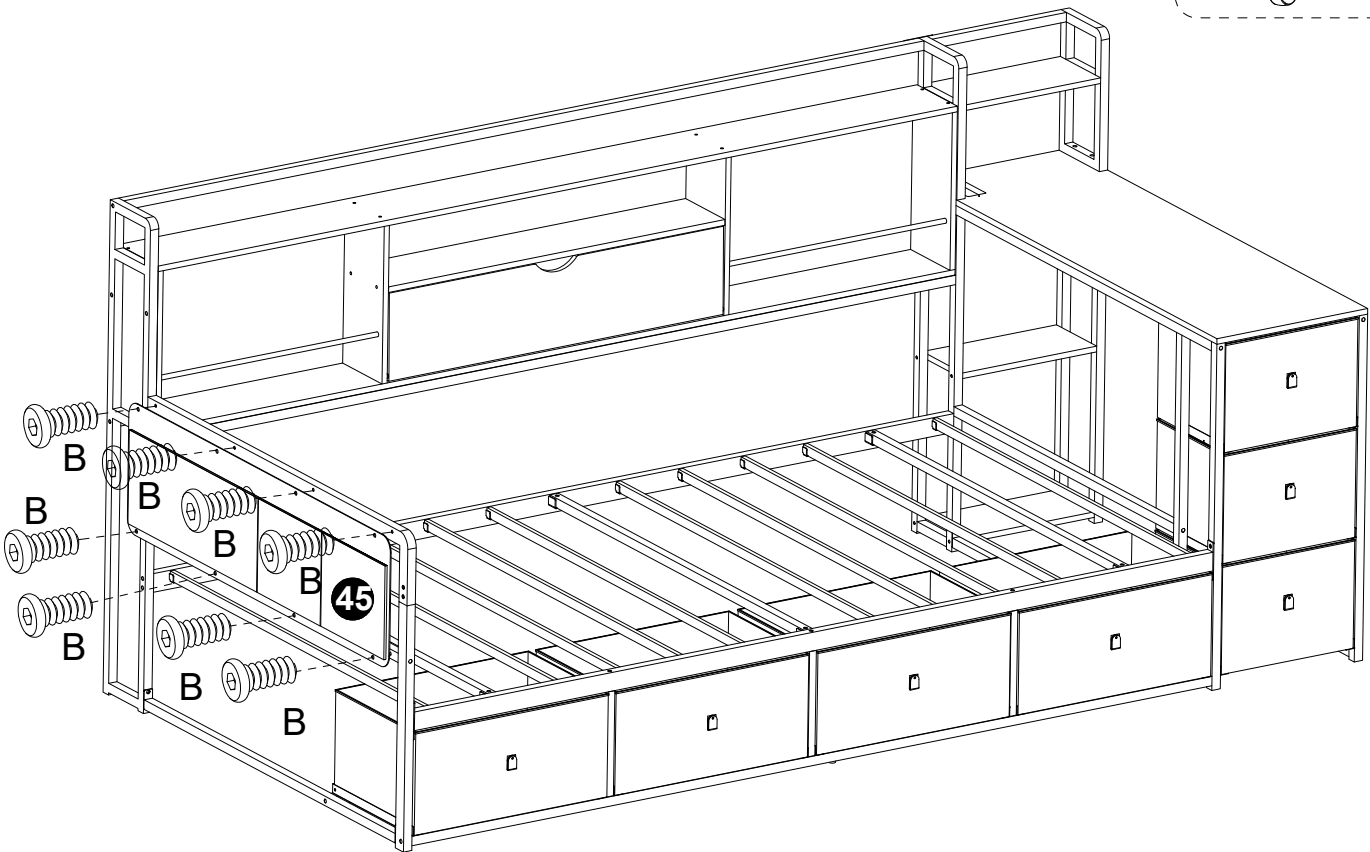
x3

35



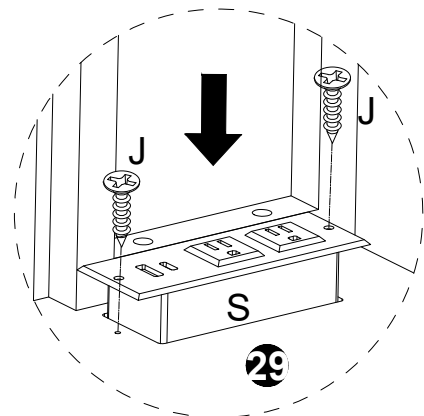
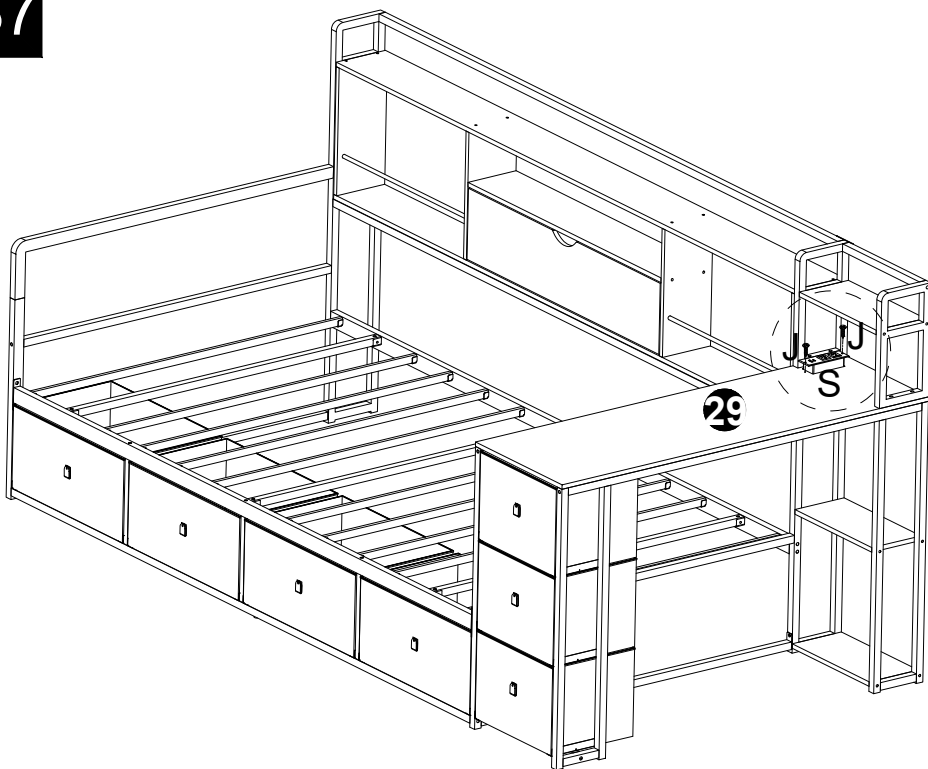
36

B M6X12
x8

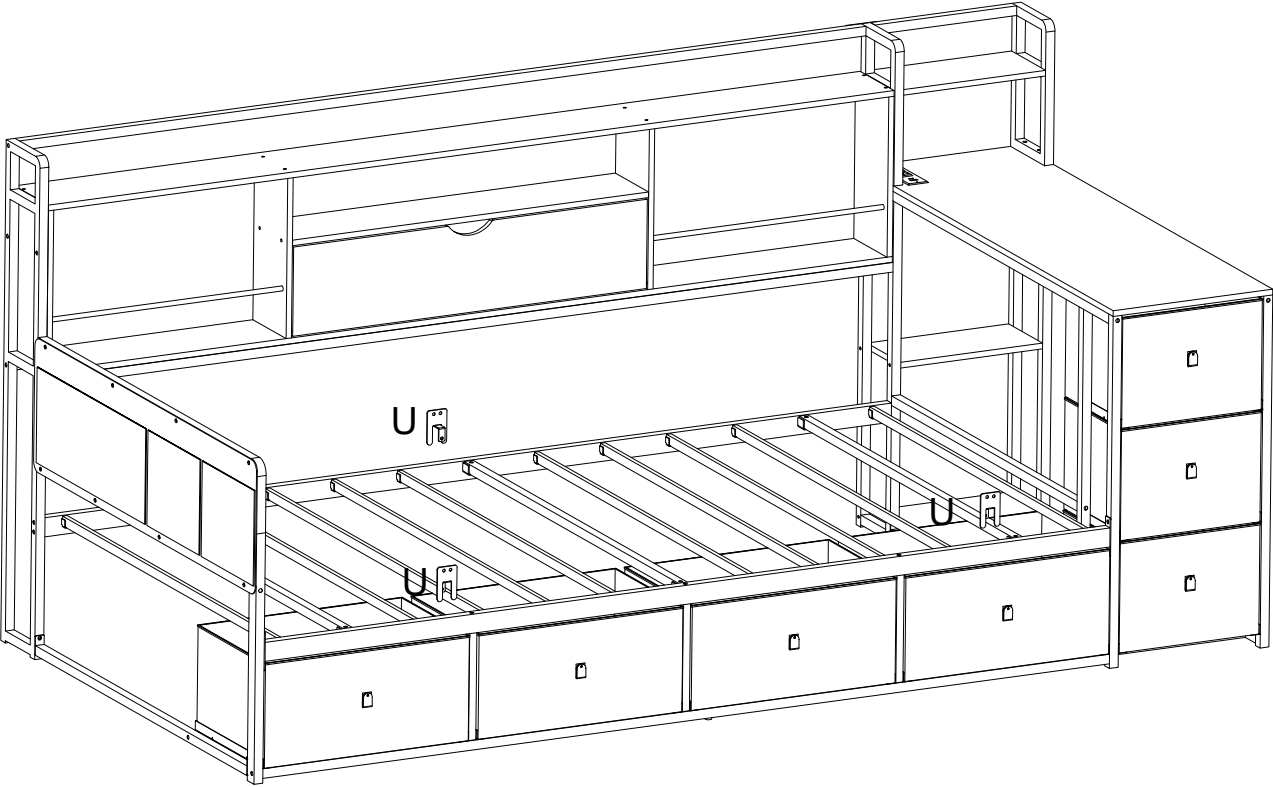
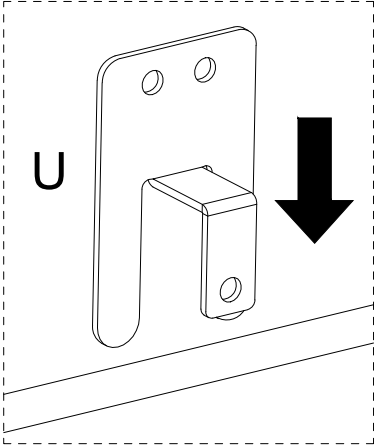
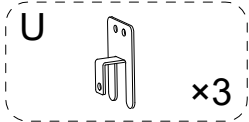


37

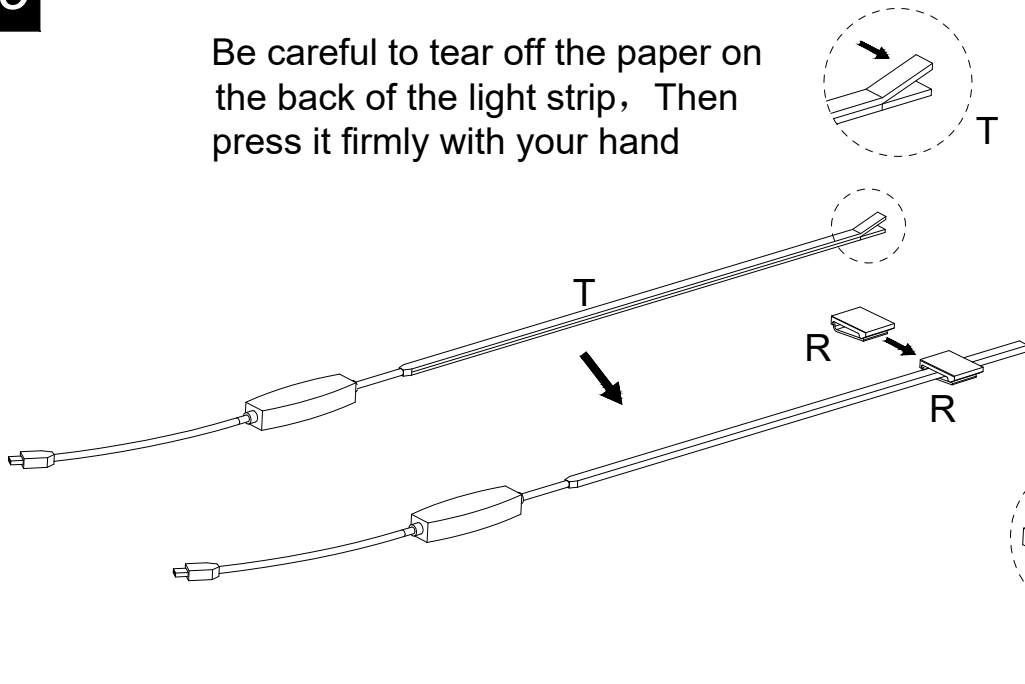
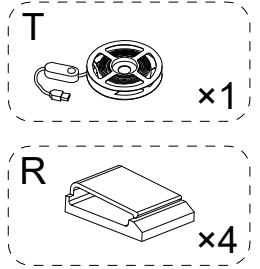
S x1
J ST3.5X12 x2



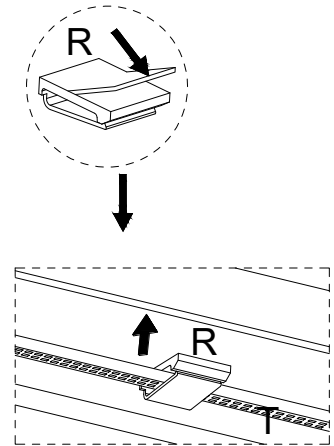
! TIGHT ALL SCREW 100%



Be careful to tear off the paper on the back of the light strip, Then press it firmly with your hand



The slight strip can be pasted to the desired position according to your own needs



Light strip mounting position:
Under Wood Board No.32

