

Assembly Instructions

⚠ Before you throw the carton, please ensure that you have all the parts needed for the assembly.

⚠ **Hardware Note:**

1. For each step please don't fully tighten all the screws at first, when they all align to the holes you can fully tighten them.

2. All the bolts should be assembled **vertically** to the holes.

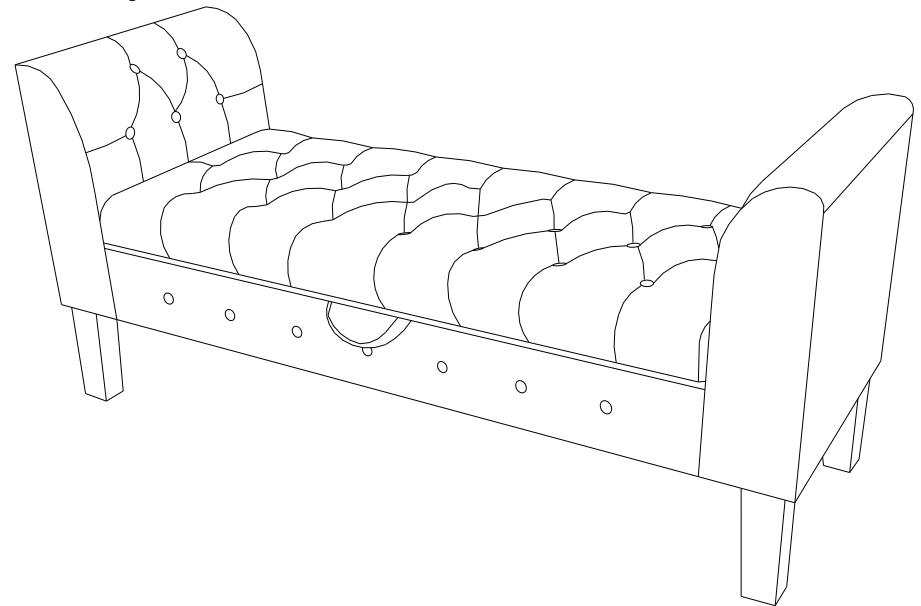
⚠ **Spare parts** can be found in the hardware box if you do not have enough bolts for assembly.



2pcs

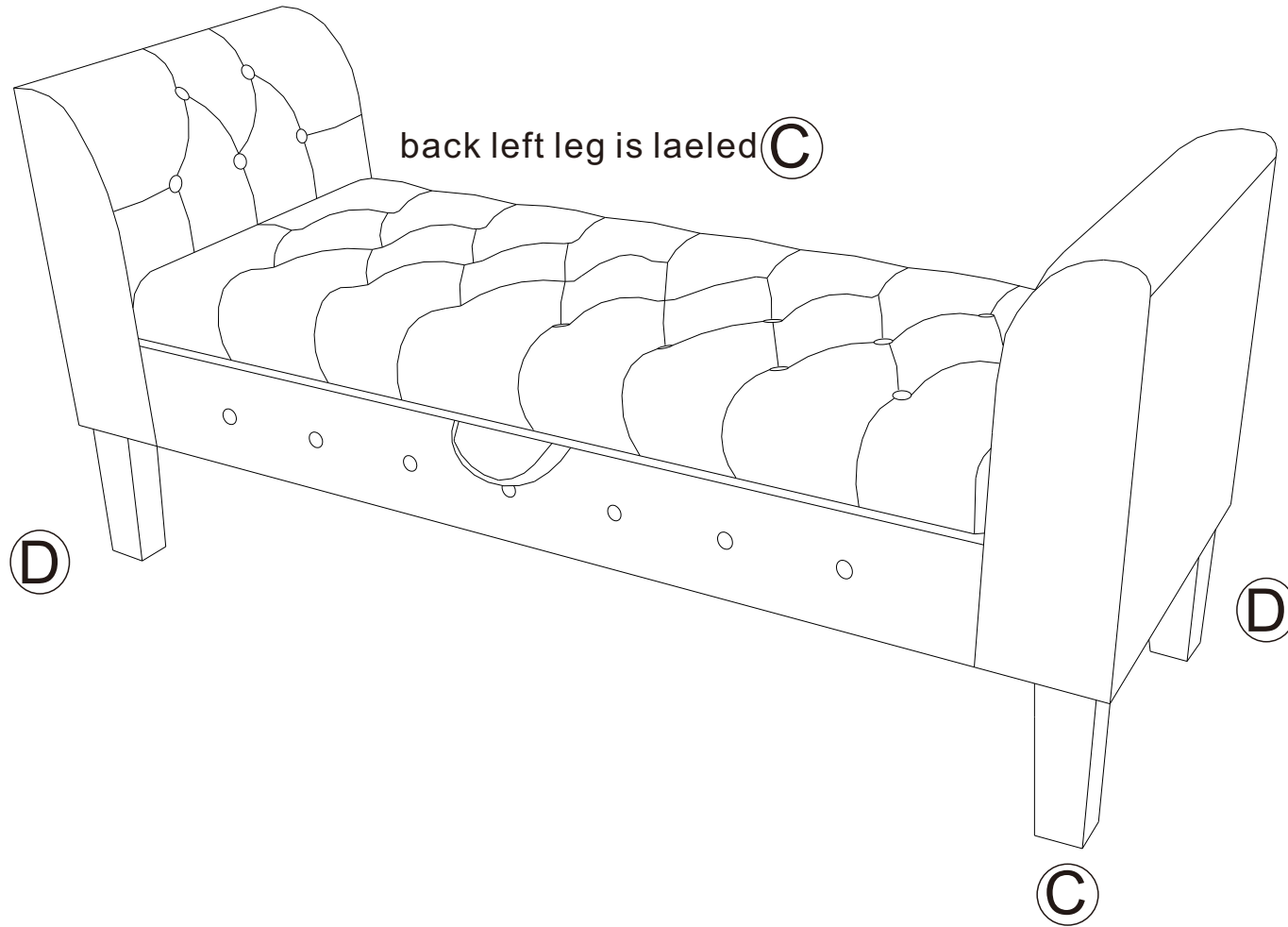


3pcs



⚠ THIS INSTRUCTION BOOKLET CONTAINS IMPORTANT SAFETY INFORMATION. PLEASE READ AND KEEP FOR FUTURE REFERENCE.

Assembly Instructions

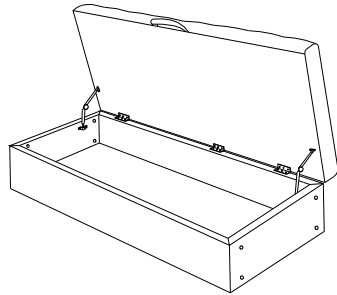


Assembly Instructions

Parts and Hardware

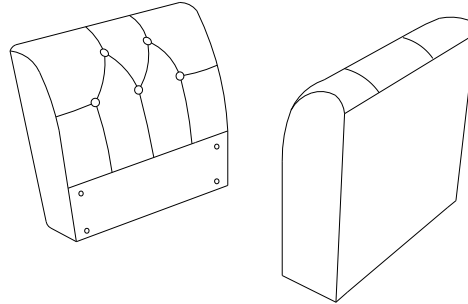
Please check to make sure you have all parts and hardware before starting assembly process.

A



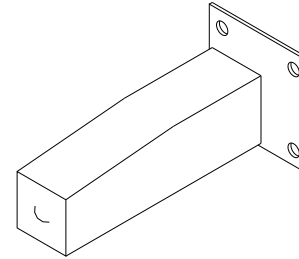
Seat Cushion 1pc

B



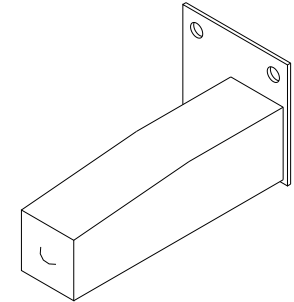
Arms 2pcs

C



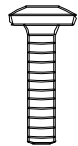
Legs 2pcs
(back left leg & front right leg)

D



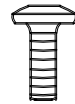
Legs 2pcs
(back right leg & front left leg)

1



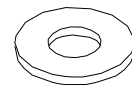
8pcs

2



12 pcs

3



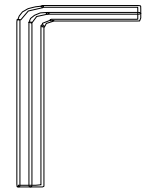
8pcs

4



8pcs

5



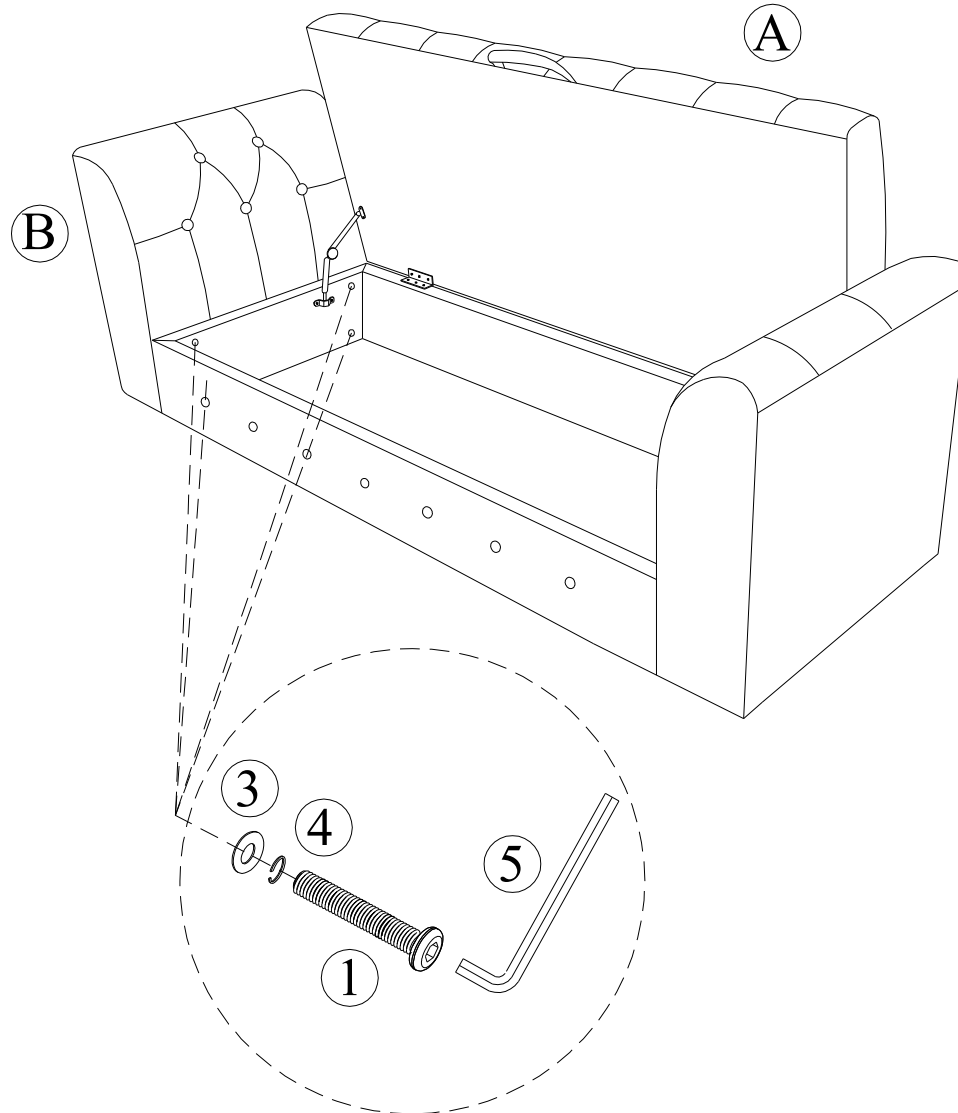
1pcs

Assembly Instructions

Parts and Hardware

Please check to make sure you have all parts and hardware before starting assembly process.

Step 1: Connect 2 arms to seat using bolts ①, spring washers ④ and flat washers ③. Half tighten the bolts one by one, when they all align to the holes, fully tighten them by the short side of wrench.



Assembly Instructions

Parts and Hardware

Please check to make sure you have all parts and hardware before starting assembly process.

Step 1: Connect legs to the bottom of arms using bolts ②

Half tighten the bolts one by one, when they are all align to the holes, fully tighten them by the short side of wrench.

