

DWT 59500 SERIES

14 Place settings
Top control screen



Main Features

- 9 programs
- 4 wash temperatures
- Auto sensor controlled program
- Brushless DC™ motor
- Interior led illumination
- Closed fan drying
- 42dBA wash noise level
- Program follow-up display
- Time delay up to 1-24 hrs.
- Auto tablet detergent function
- 1/2 load function
- Sanitize function
- PowerWash function
- Self Cleaning Filter
- 3 way euro filtering system
- Light indicator on floor
- smartFIT™ front adjustable rear feet
- smartBALANCE™ front adjustable hinge system
- smartPIN™ joint handle system
- Interior highloop with air gap
- Power plug

Interior design

- All stainless steel tank
- Three spray arms (lower, upper and ceiling)

Ultra - Premium rack loading system

- FlexiDrawer Removable 3rd rack
- FlexiRack™ loaded adjustable upper rack
- Upper rack handle
- 4 adjustable mug shelves
- Sliding cutlery basket
- smartFOLD™ plate supports on lower rack
- Stainless Blomberg embossed lower rack handle
- Lower basket wine glass holder

Color

- DWT 59500 SS: Stainless steel
- DWT 59500 FBI: Fully integrated



FEATURES



14place settings

14 Place settings

Blomberg dishwashers can perfectly clean dishes upto 14 place settings without leaving any piece of cutlery out.



Power Wash

Creates a power zone in the right hand side of the lower rack by providing intense water pressure. This specially designed 180 degree rotating spray arm with a 360 degree rotating head, helps water reach every single angle to clean heavily soiled pots and pans. This feature provides up to 5 times improved cleaning based on Pots&Pans+ program.



Auto Tablet

Sensors detects rinse aid and automaticly sets drying cycle duration. This provides the best drying results without any concern.



Mixwash+

It is the most suitable washing programme for daily mixed dishes including plastic items. While delicate glass items are washed in the upper basket, pans and trays can be washed in the lower basket.



Brushless DC™ motor

Variable speed circulation motor allows to use optimum necessary amount of water and energy. Due to magnetic design the motor has no persistent low frequency sound, and creates less vibration.



Double motion float system

All Blomberg dishwashers have a double motion float system (DMFS) that provides maximum security against water damage and a bottom tray to prevent flooding.

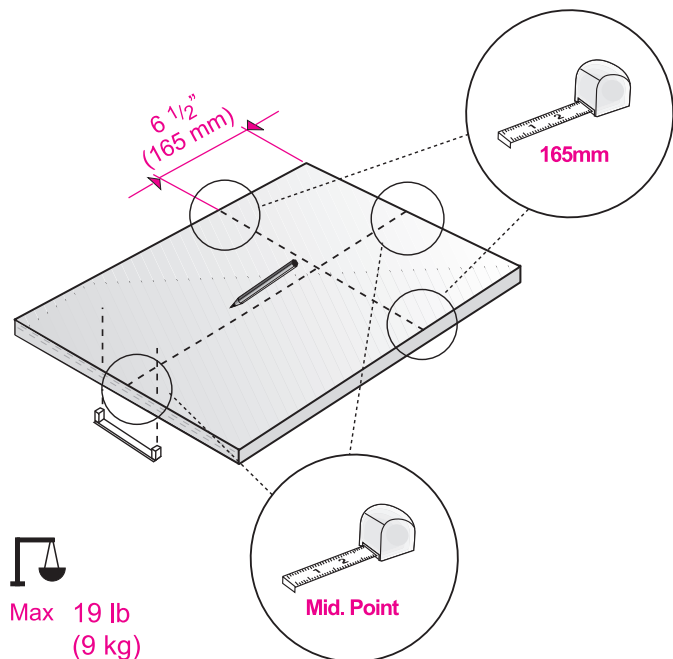
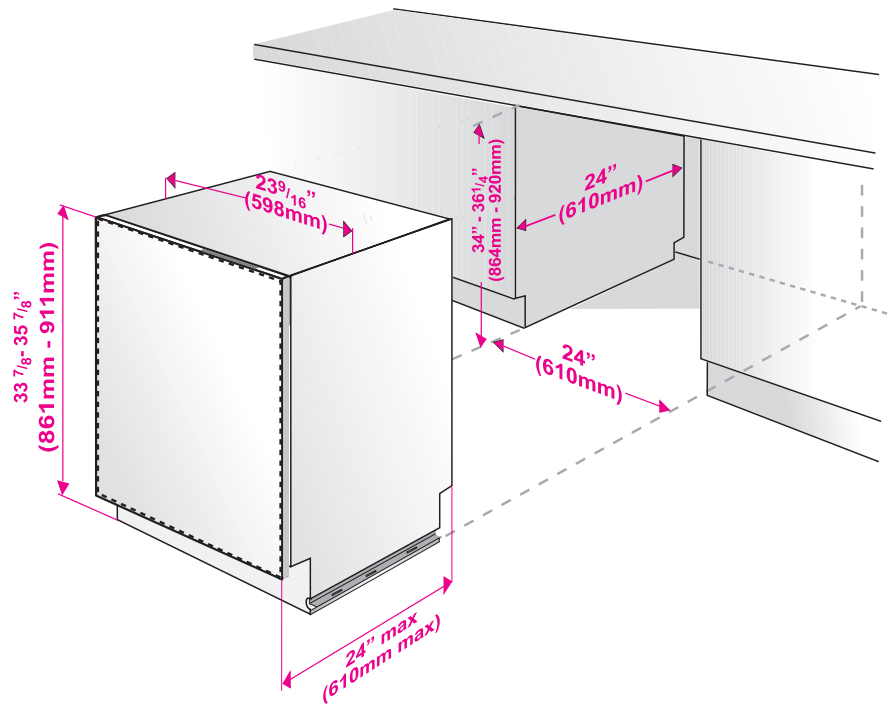
Blomberg®

seit 1883

DWT 59500 SERIES

14 Place settings Top control screen

CONTROLS		
Control Type	Electronic	
Position	Top	
MAIN FEATURES		
Loading Capacity (place settings)	14	
Tub material	Stainless Steel	
Inner door material	Stainless Steel	
Interior illumination	✓	
Water Softener	-	
DMFS overflow protection	✓	
5 level wash with 3rd spray arm	✓	
Delay timer up to 1-24 hrs	✓	
3 way euro filter	✓	
Drying	Turbo Fan	
Brushless DC™ motor	✓	
Turbidity sensor	✓	
Silence level, dBA	42 dBA	
Auto Tablet function	✓	
1/2 Load function	✓	
Sanitize function	✓	
Extra Rinse function	-	
SuperGloss function	-	
Rapid Clean function	-	
Power Wash function	✓	
Self Cleaning Filter	✓	
SmartPIN™ joint	✓	
Interior high loop with airgap	✓	
Power Plug	✓	
PROGRAMS		
Number of programs	9	
ProCare	✓	
Pots and pans plus (167°F rinse temp)	✓	
Pots and pans (158°F rinse temp)	✓	
Auto program (131°F - 149°F rinse temp)	✓	
MixWash+	✓	
Regular wash (142°F-145°F rinse temp)	✓	
DailyWash	-	
China/crystal (149°F rinse temp)	✓	
Glass Care	✓	
Quick wash (131°F rinse temp)	✓	
Rinse & Hold	✓	
DISPLAY		
Program sequence	✓ / Screen	
Rinse aid indicator	Electronic	
Rinse aid indicator display	✓	
Salt indicator display	-	
Light Indicator on Floor	✓	
RACK SYSTEM		
smartFOLD lower rack folding tines	✓	
Lower rack embossed stainless handle	✓	
Cutlery basket	Sliding	
Upper rack (inset shelves)	4	
smartFOLD, upper rack folding tines	✓	
FlexiRack, adjustable upper rack	Loaded	
FlexiDrawer, removable 3rd rack	✓	
Lower basket wine glass holder	✓	
Nylon coated racks	✓	
DIMENSIONS		
Packed (HxWxD)	in	35 x 25 3/16 x 26
	cm	88,9 x 64.4 x 66.1
Packed Weight	(lb/kg)	101/46
	Unpacked (HxWxD)	in
cm		86 x 59.8 x 57
Unpacked Weight	(lb/kg)	96/44
	ENVIRONMENTAL STANDARDS	
Energy Star qualified	✓	
Energy consumption, kWh/year	225	
Water consumption, gal/cycle	2,38 - 5,55 (2,4 - 4,7)?	
RoHS* compliant	✓	



Max 19 lb
(9 kg)

* Lead-free