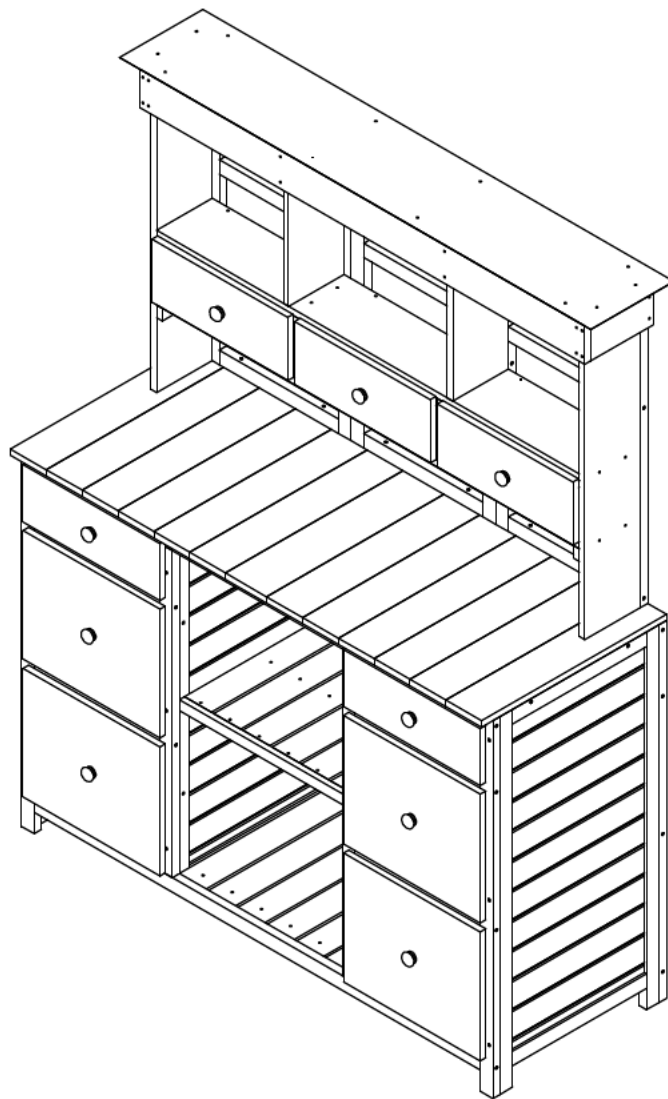


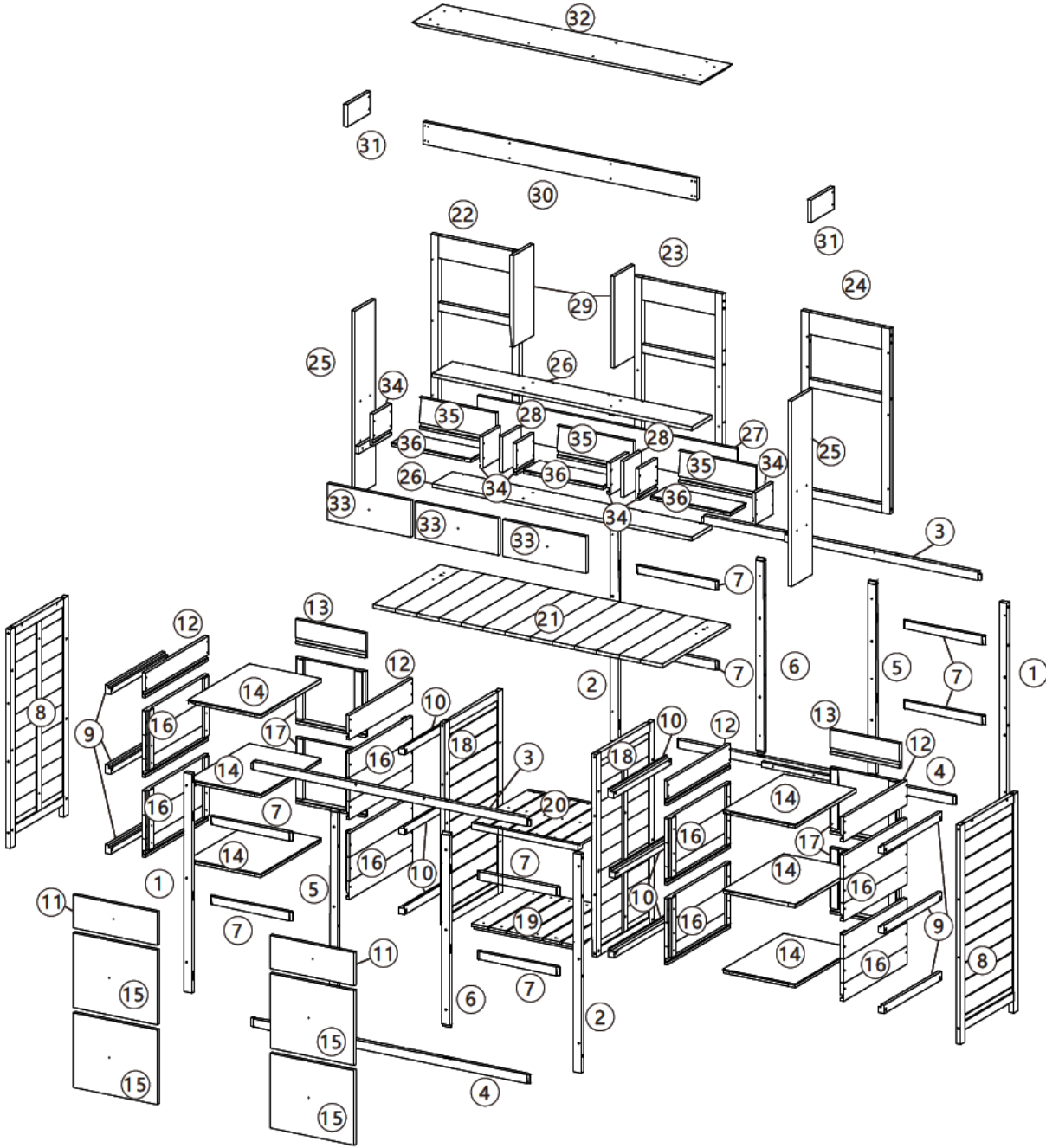
ASSEMBLY INSTRUCTIONS

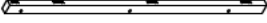
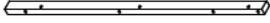
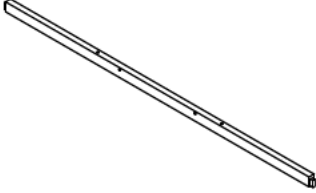



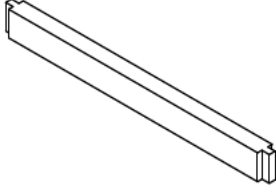
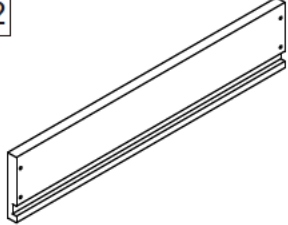
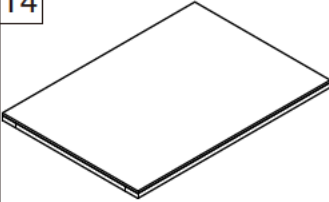
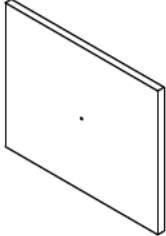
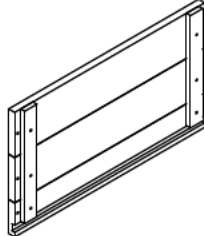
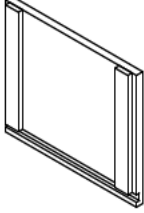
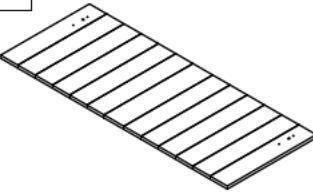
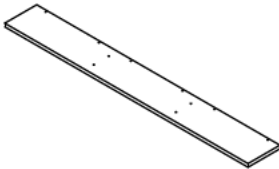

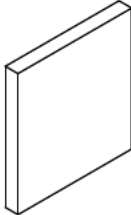
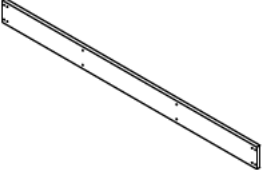
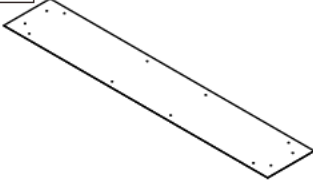



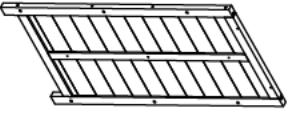
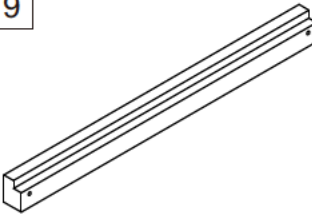
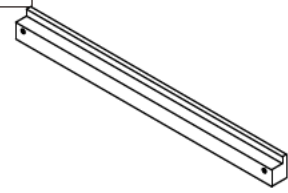
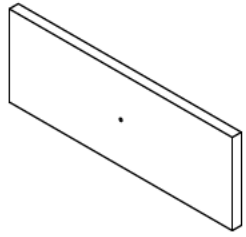
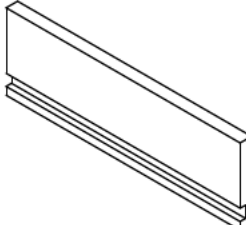
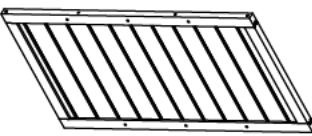
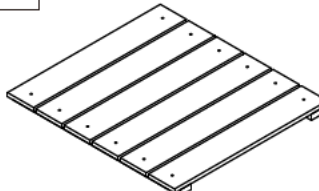
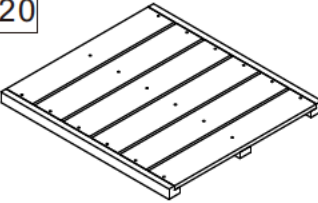
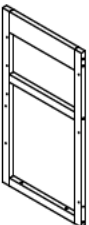

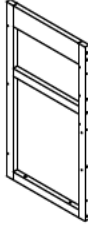


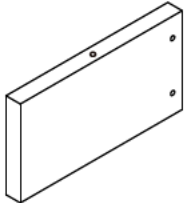
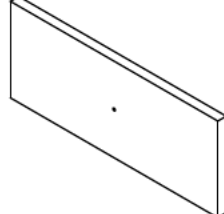
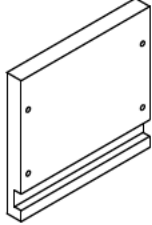
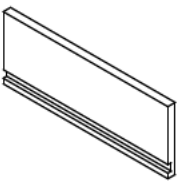
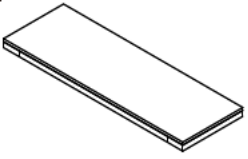
IMPORTANT NOTE :

- ① PLACE ALL PARTS ON A CLEAN AND SMOOTH SURFACE SUCH AS A RUG OR CARPET TO AVOID THE PARTS FROM BEING SCRATCHED.
- ② BEFORE YOU BEGIN,KINDLY FOLLOW THE ASSEMBLY INSTRUCTIONS STEP BY STEP.
- ③ DO NOT TIGHTEN ALL SCREWS AND BOLTS UNTIL THIS ITEM IS FULLY SET-UP.



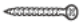





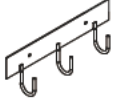

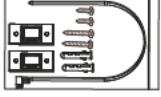
Detail View





1	2	3	4
			
Left pillar of front&back frame 2pcs	Right pillar of front&back frame 2pcs	Upper slat of front&back frame 2pcs	Lower slat of front&back frame 2pcs
5	6	7	12
			
Middle left pillar of front&back frame 2pcs	Middle right pillar of front&back frame 2pcs	Horizontal slat of front frame 8pcs	Side panel of drawer ①4pcs
14	15	16	17
			
Bottom of drawer ①&②6pcs	Front of drawer ② 4pcs	Side panel of drawer ②8pcs	Back of drawer ②4pcs
21	26	27	28
			
Table top 1pc	Support of drawer ③2pcs	Back panel of drawer ③1pc	Divider of drawer ③2pcs
30	32		
			
Upper front 1pc	Top 1pc	Hardware kit	

<p>8</p> 	<p>9</p> 	<p>10</p> 	<p>11</p> 
<p>Side panel of frame 2pc</p>	<p>Support①of drawer①&②6pcs</p>	<p>Support②of drawer①&②6pcs</p>	<p>Front of drawer① 2pcs</p>
<p>13</p> 	<p>18</p> 	<p>19</p> 	<p>20</p> 
<p>Back of drawer①2pcs</p>	<p>Under side panel 2pc</p>	<p>Shelves①1pc</p>	<p>Shelves②1pc</p>
<p>22</p> 	<p>23</p> 	<p>24</p> 	<p>25</p> 
<p>Left part of back panel 1pc</p>	<p>Middle part of back panel 1pc</p>	<p>Right part of back panel 1pc</p>	<p>Side parts of storage rack 2pcs</p>
<p>29</p> 	<p>31</p> 	<p>33</p> 	<p>34</p> 
<p>Divider of storage rack 2pcs</p>	<p>Upper side panel 2pc</p>	<p>Front of drawer③ 3pcs</p>	<p>Side panel of drawer③6pcs</p>
<p>35</p> 	<p>36</p> 		
<p>Back panel of drawer③3pcs</p>	<p>Bottom of drawer③ 3pcs</p>		

Hardware List

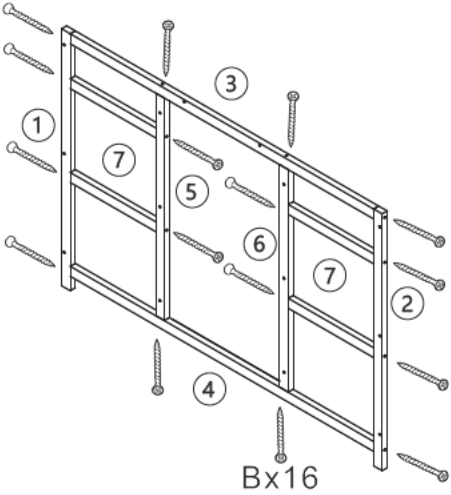
A  3.5*40 Ph zinc screws-56+1pcs	B  3.5*60 Ph zinc screws-44+1pcs	C  3.0*38 Ph zinc screws-32+1pcs	D  3.0*30 Ph zinc screws-136+1pcs
E  3.0*18 Black screws-2+1pcs	F  M4*30 Ph zinc bolt-9+1pcs	G  Door knob-9pcs	H  Dowel-56pcs
I  Black Hook-1pc	J  LAMINATED NAIL 4pcs	 Anti-topple over sets-2pcs	

ASSEMBLY TOOLS REQUIRED(NOT INCLUDED)

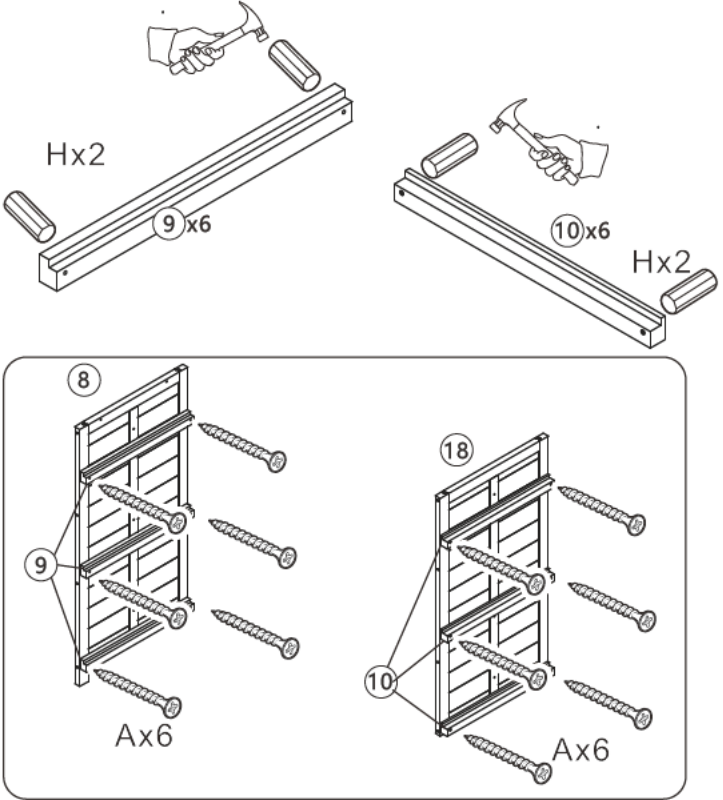


PLEASE BE CAREFUL DO NOT DAMAGE THE HOLE POSITION WHEN YOU USE POWERTOOLS !



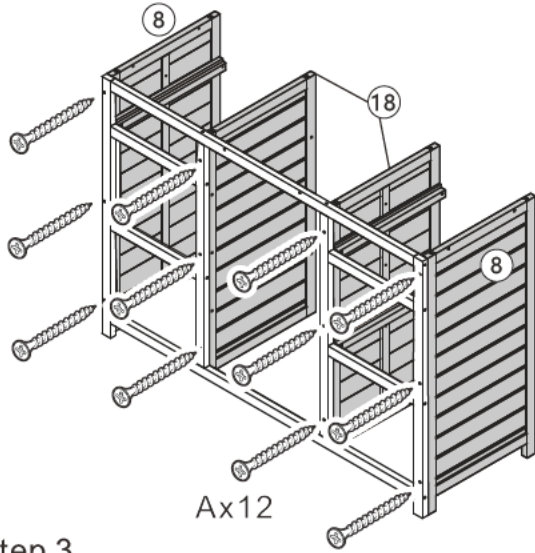
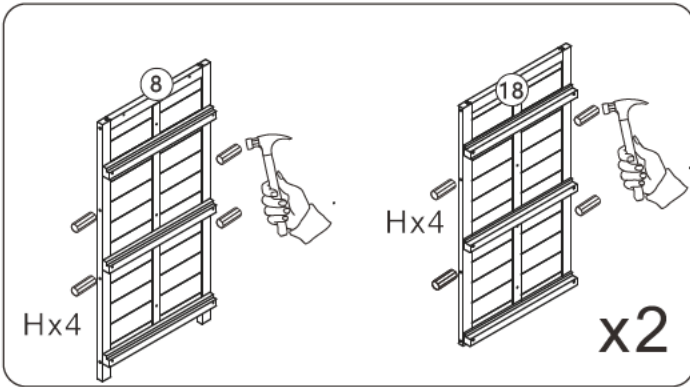
Repeat this step two times

step 1 ①x2 ②x2 ③x2 ④x2 ⑤x2 ⑥x2 ⑦x8
Bx32



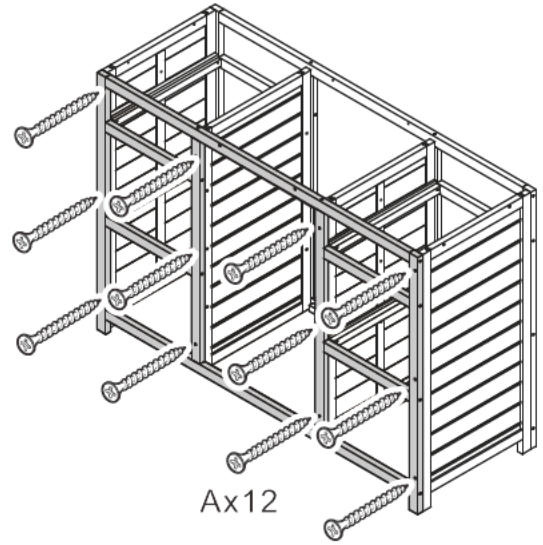
x2

step 2 ⑨x6 ⑩x6 ⑧x2 ⑱x2
Ax24 Hx24



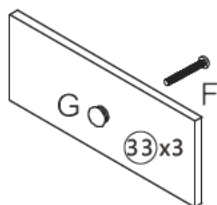
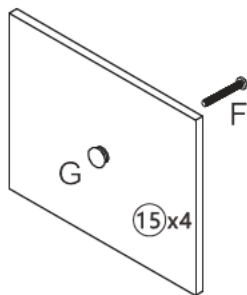
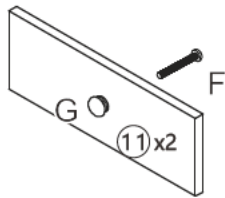
step 3

Ax12 Hx16



step 4

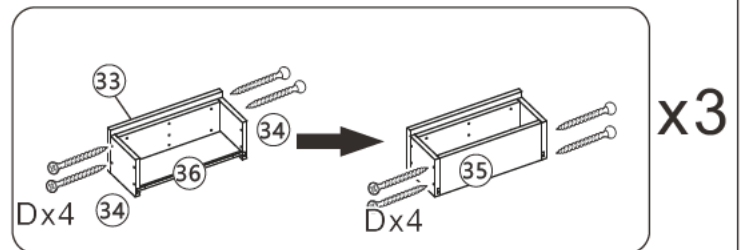
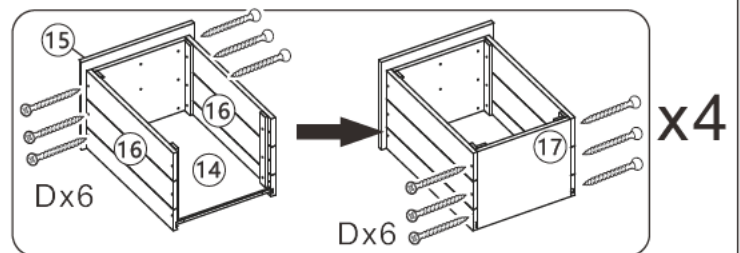
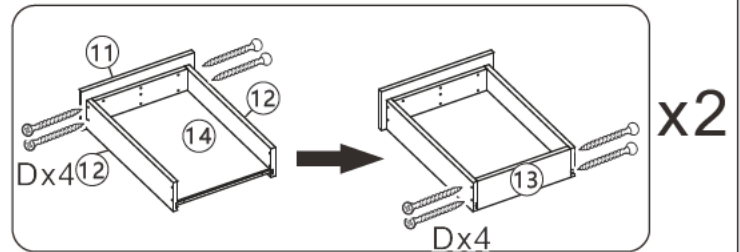
Ax12



step 5

11x2 15x4 33x3

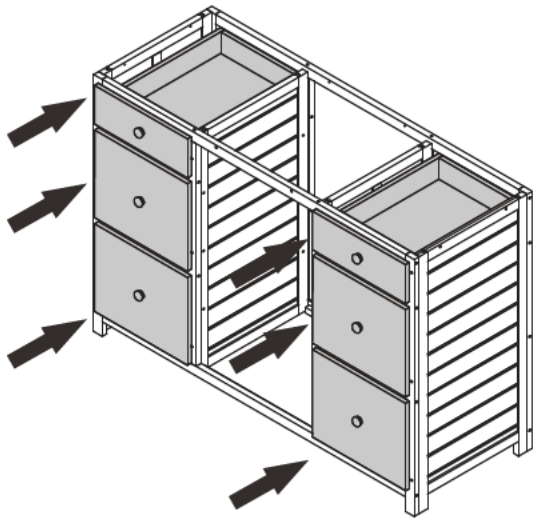
Fx9 Gx9



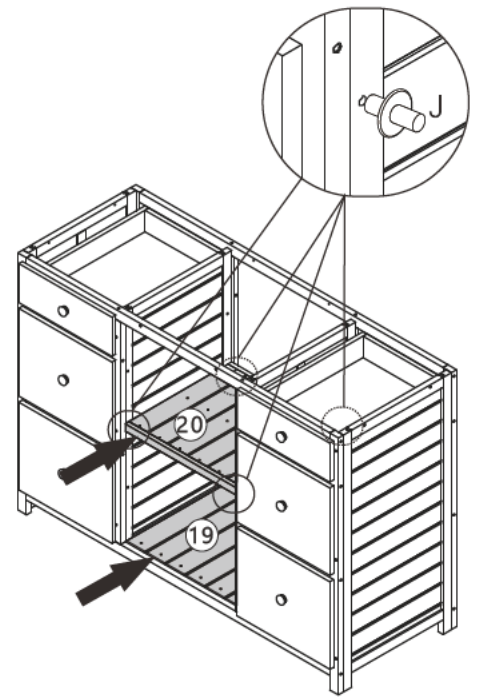
step 6

11x2 12x4 13x2 14x6 15x4
16x8 17x4 34x6 33x3 35x3 36x3

Dx88

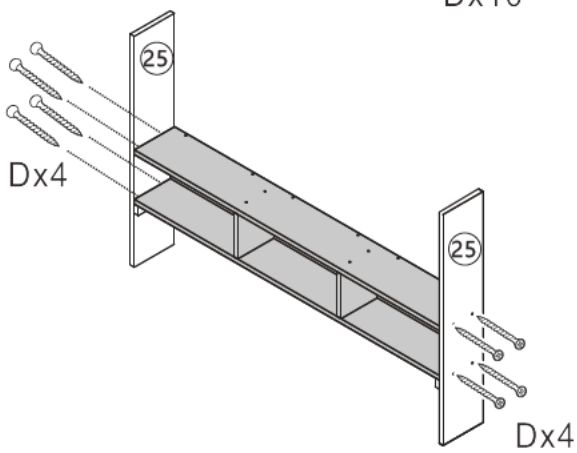
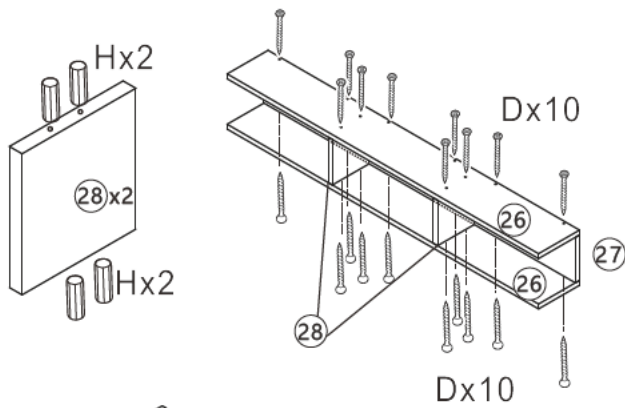


step 7



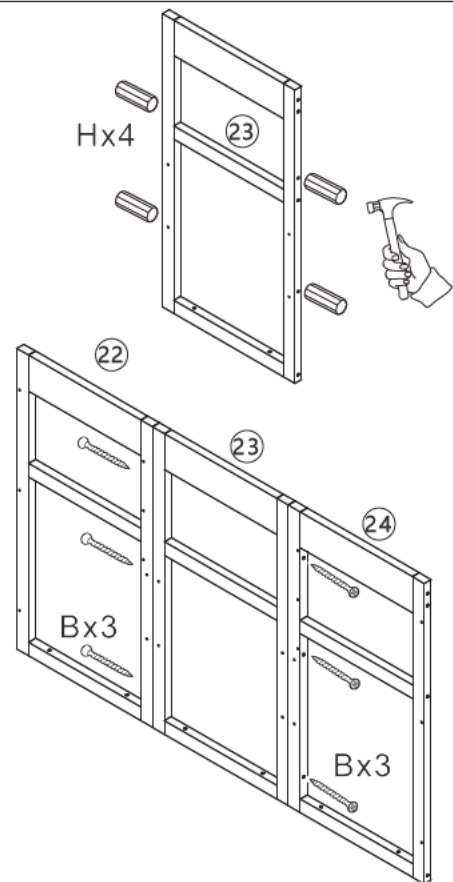
step 8

19x1 20x1
Jx4



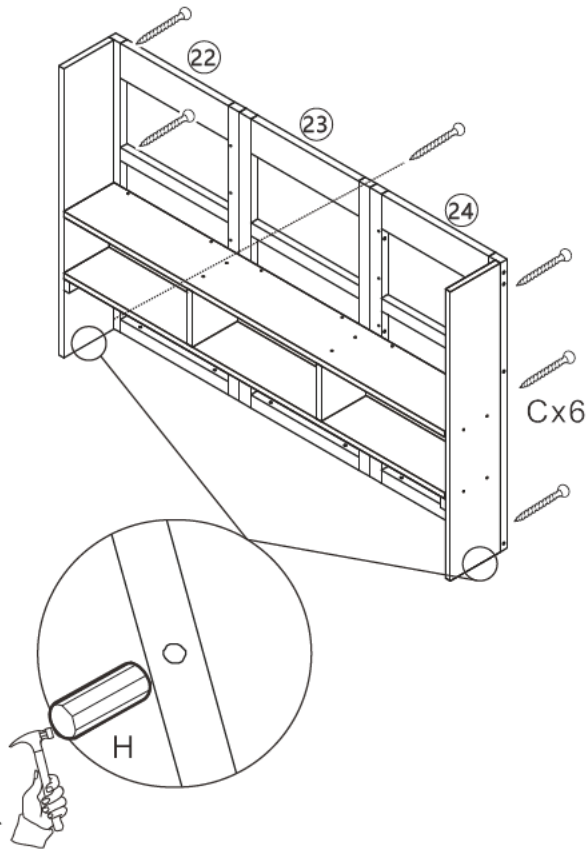
step 9

25x2 26x2 27x1 28x2
Dx28 Hx8



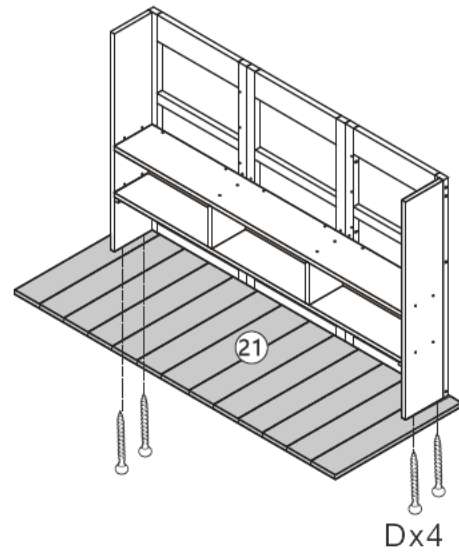
step 10

22x1 23x1 24x1
Bx6 Hx4



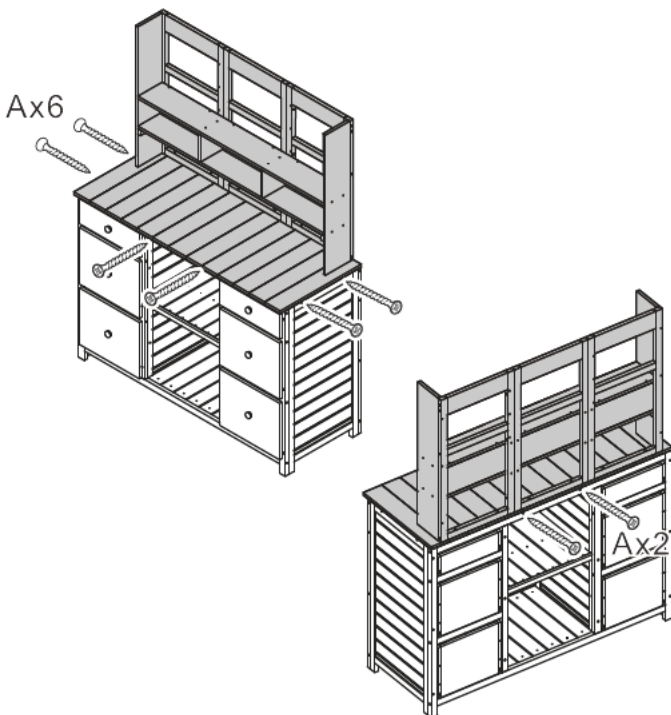
step 11

Cx6 Hx2



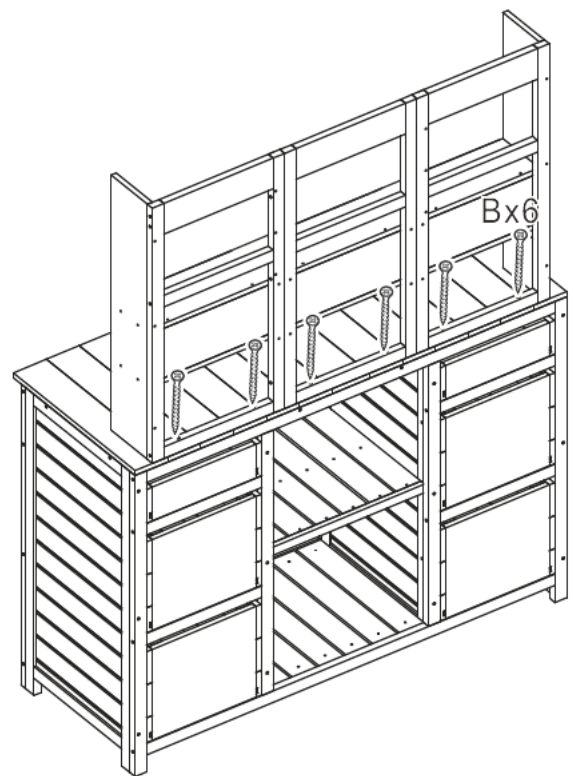
step 12

(21)x1
Dx4



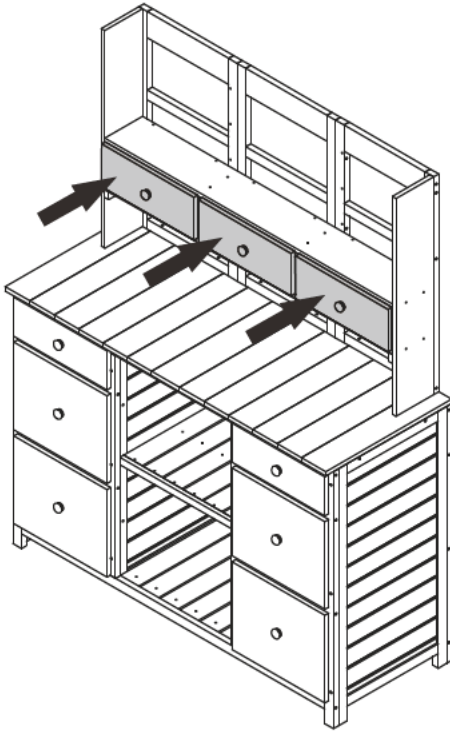
step 13

Ax8

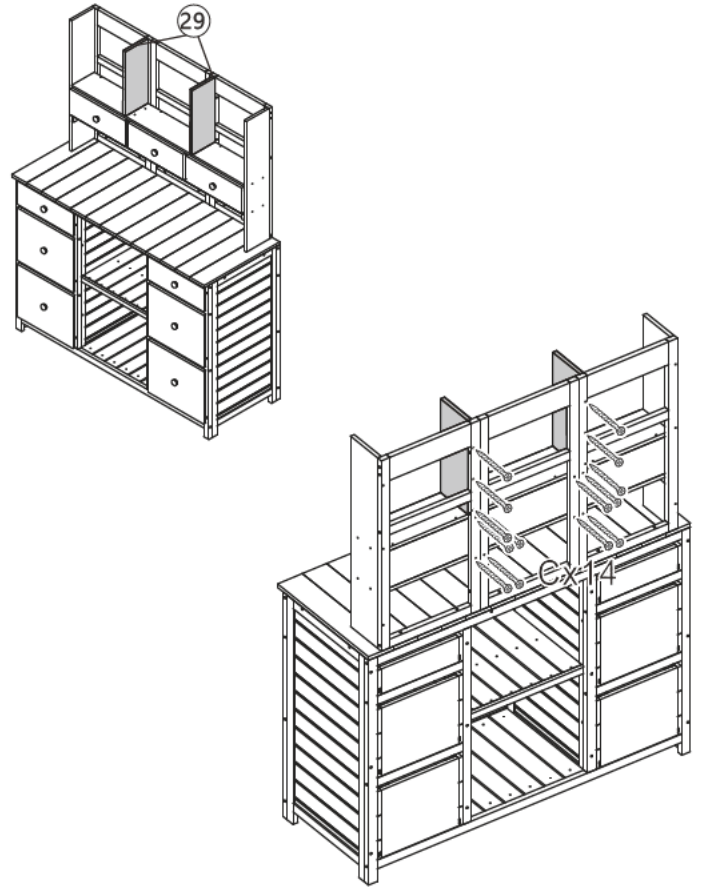


step 14

Bx6



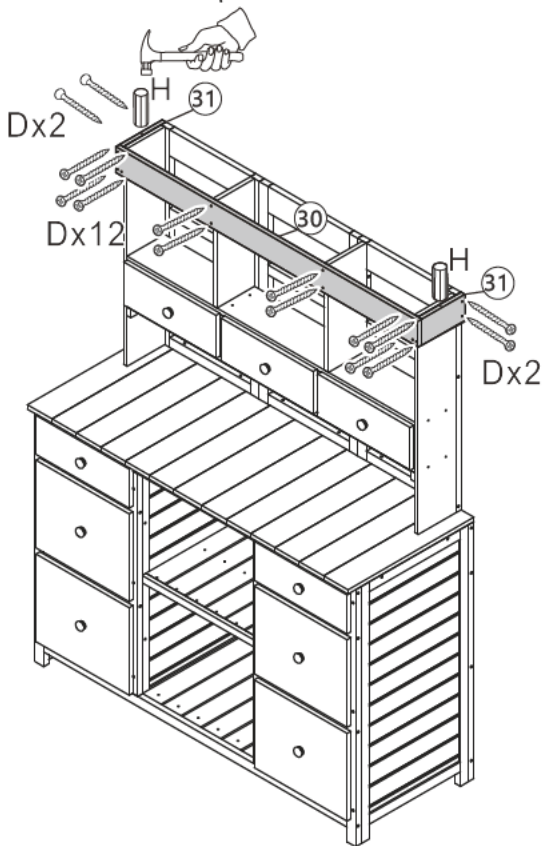
step 15



step 16

29x2

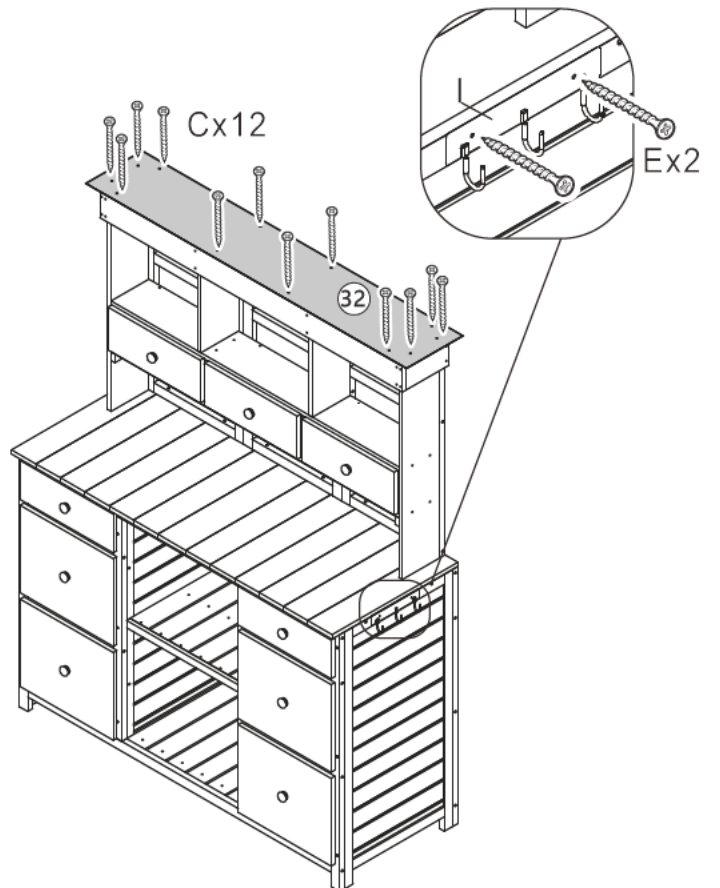
Cx14



step 17

30x1 31x2

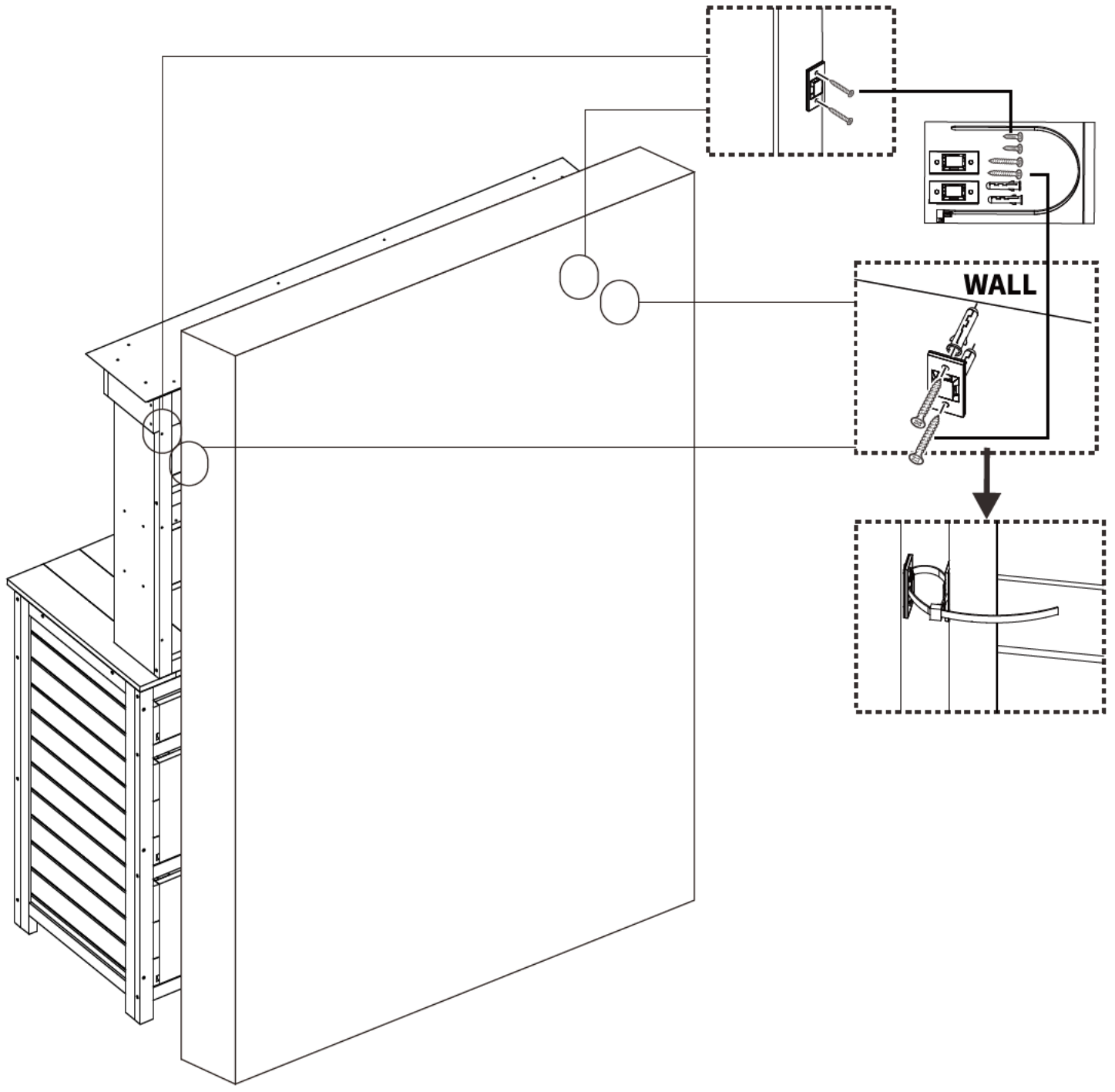
Dx16Hx2



step 18

32x1

Cx12 Ex2 lx1



step 19

