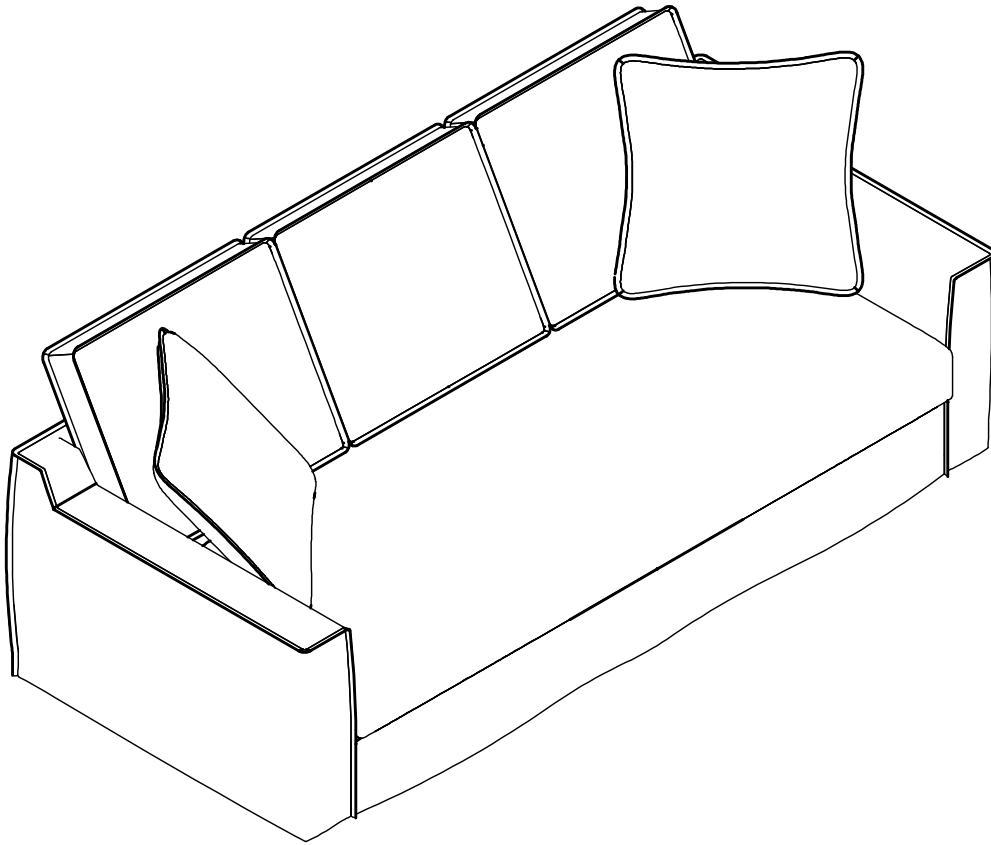
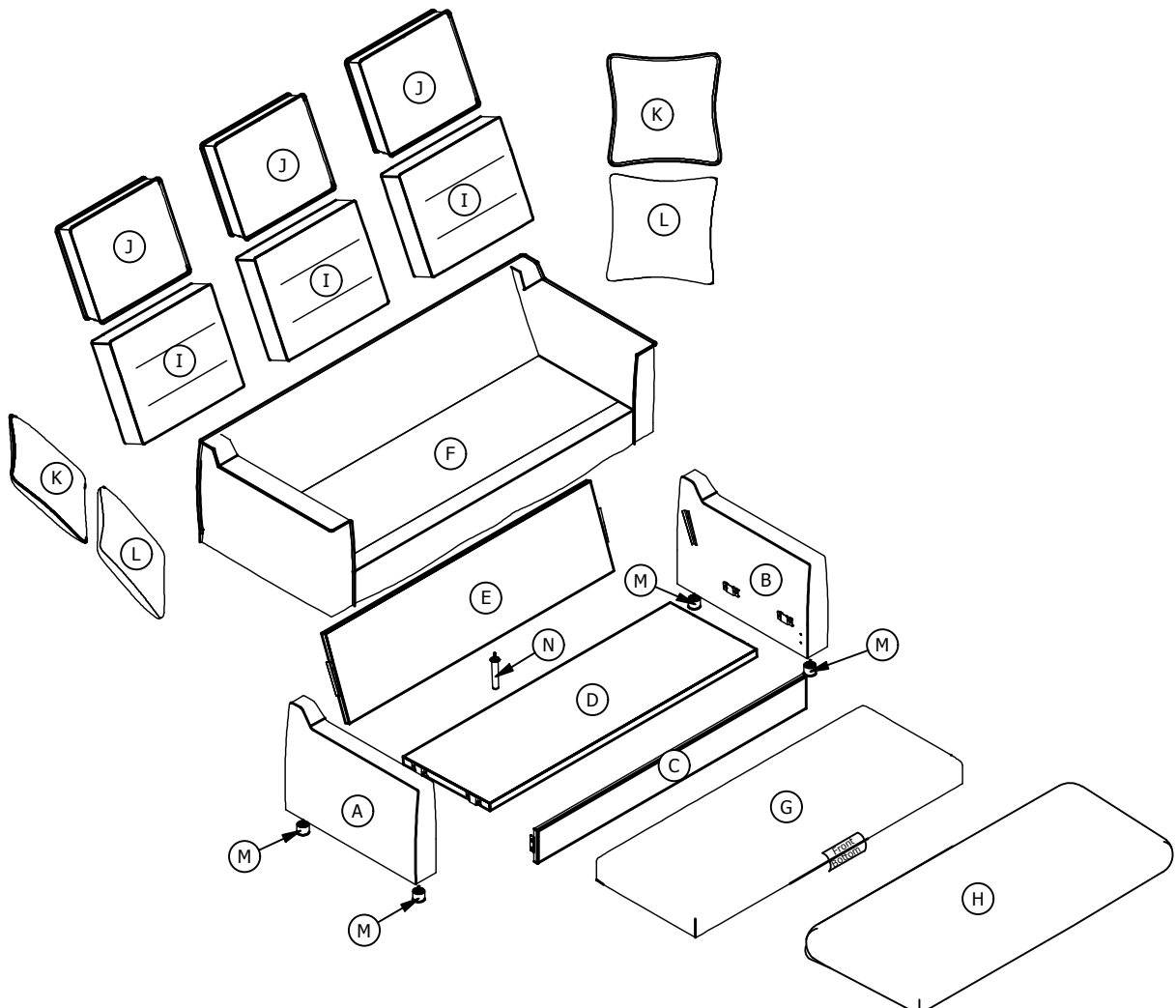


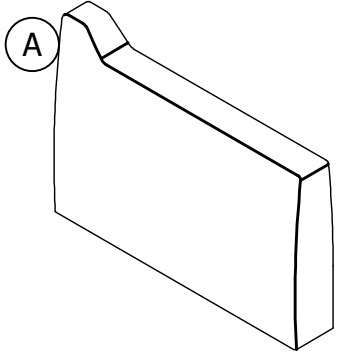
# Assembly Instruction



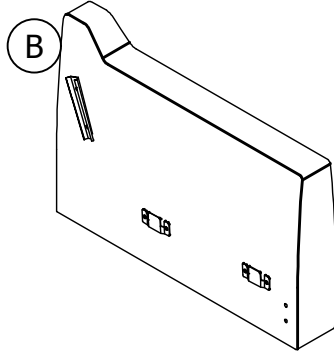
## PARTS



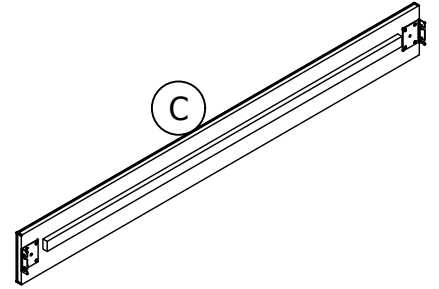
# PARTS LIST



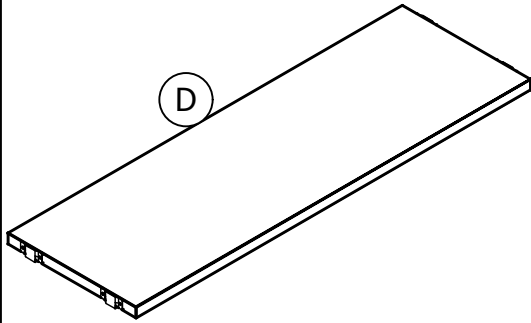
Armrest X 1 PC



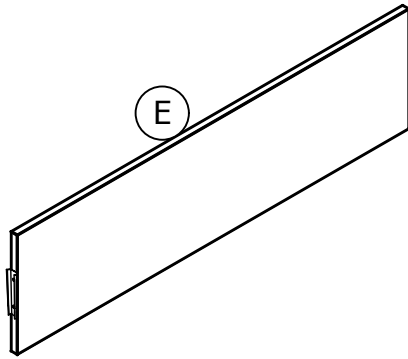
Armrest X 1 PC



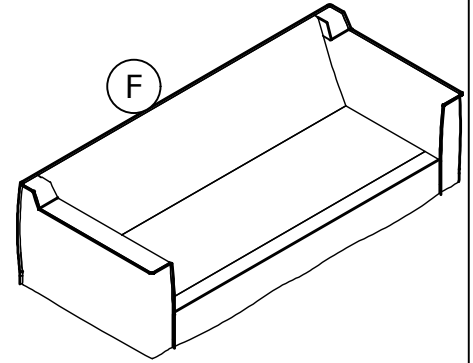
Front Rail X 1 PC



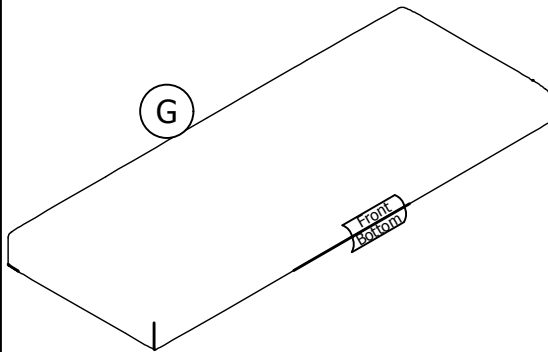
Seat Panel X 1 PC



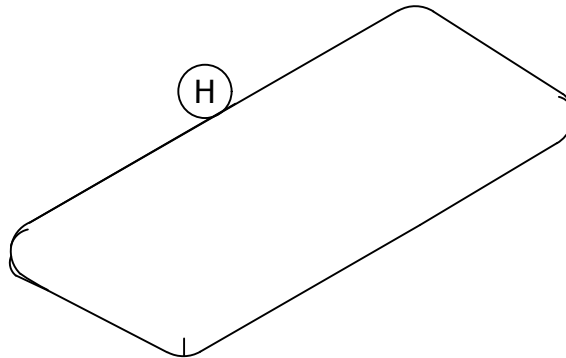
Back X 1 PC



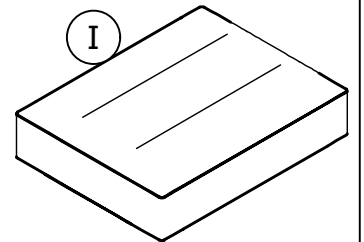
Sofa Slipcover X 1 PC



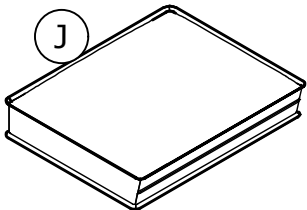
Seat Cushion X 1 PC



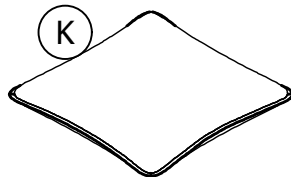
Seat Slipcover X 1 PC



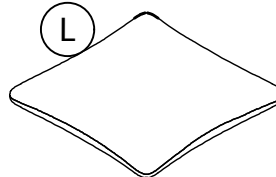
Back Cushion X 3 PCS



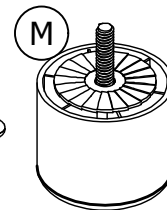
Back Slipcover X 3 PCS



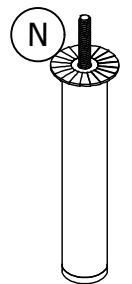
Pillow Slipcover X 2 PCS



Pillow X 2 PCS

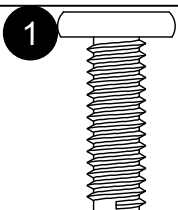


Leg X 4 PCS

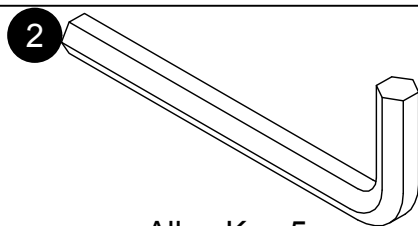


Support Leg X 1 PC

# HARDWARE



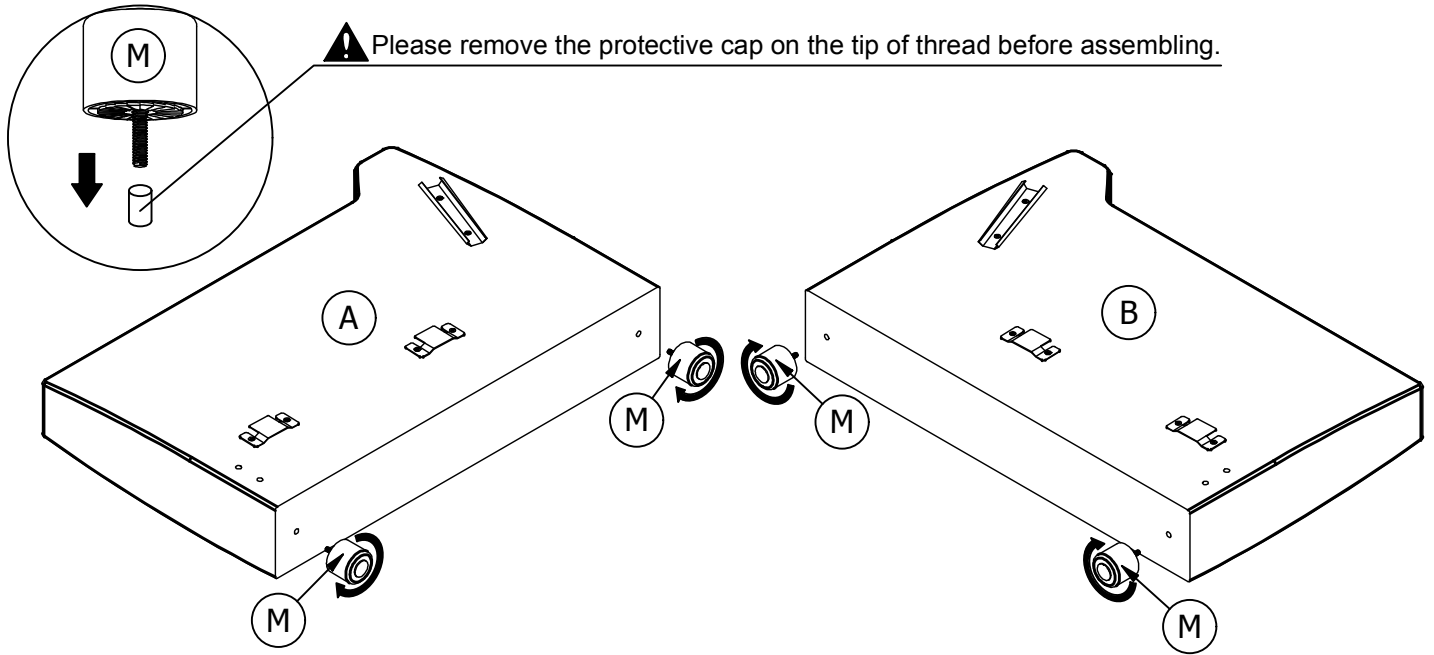
5/16"X 23mm  
X 4



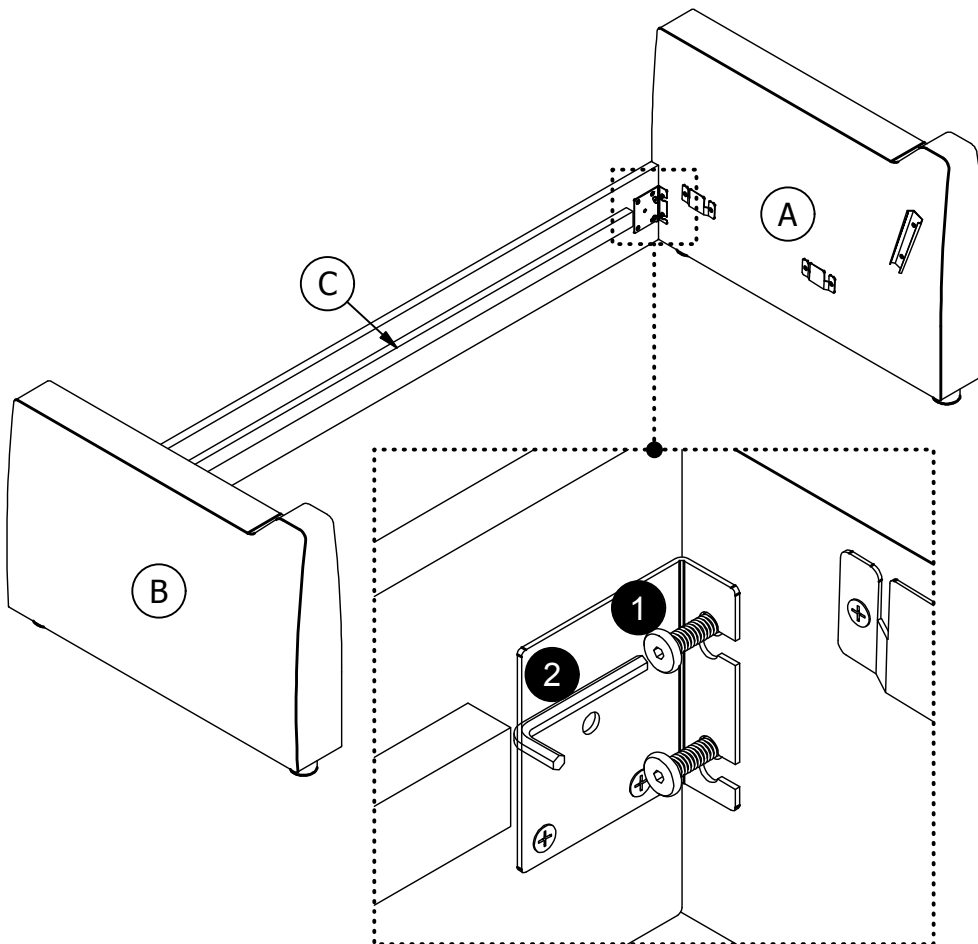
Allen Key 5mm  
X 1

Place all parts on a clean, smooth surface.

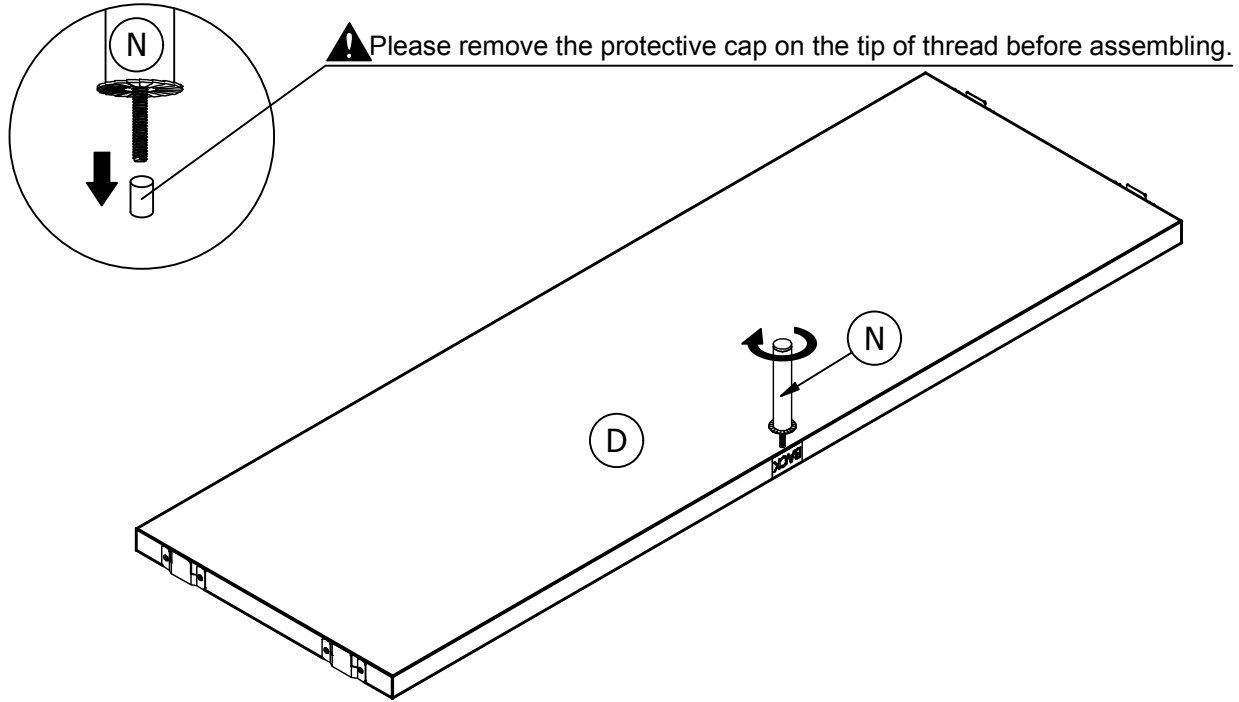
**STEP 1:** Manually screw **M** x 4 to **A** & **B**, as shown.



**STEP 2:** Attach **C** to **A** & **B** with **1**, as shown.

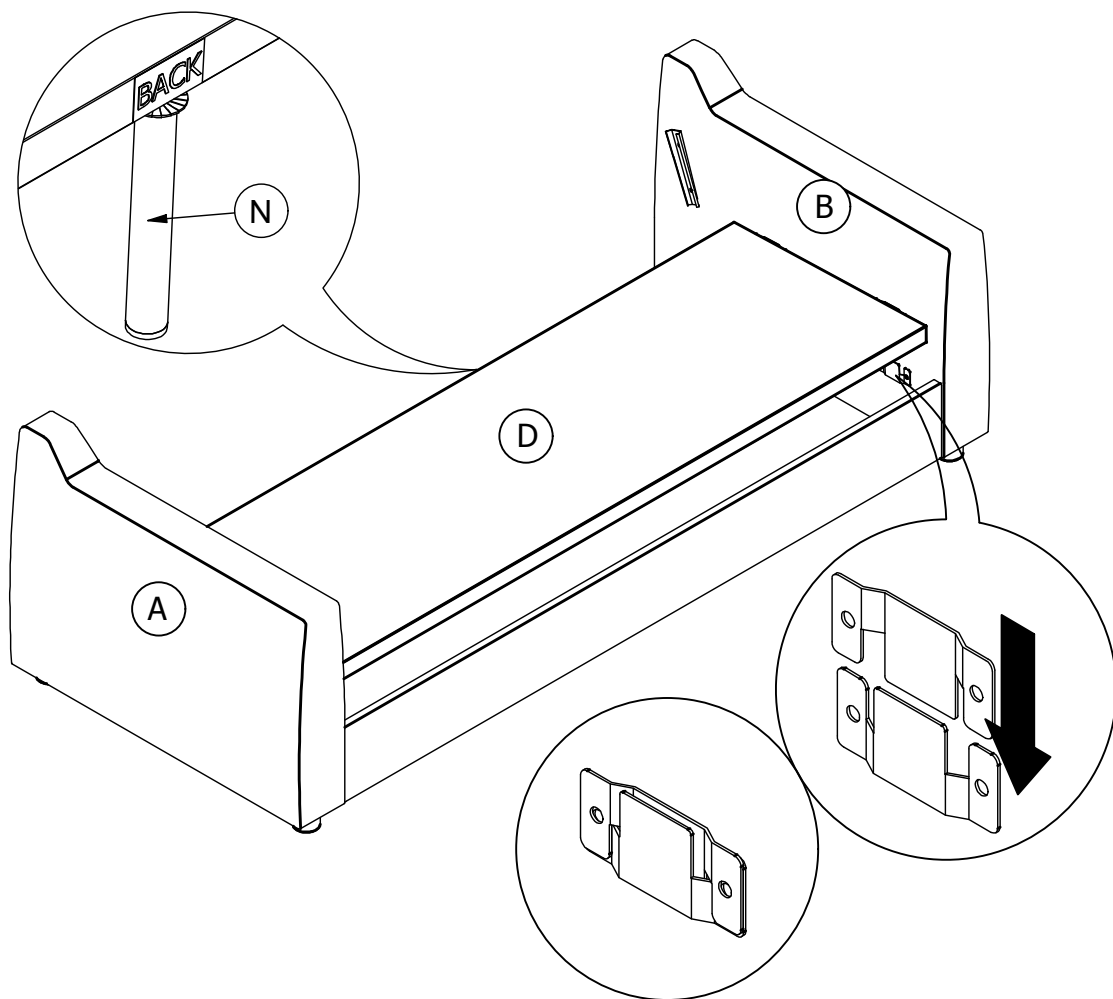


**STEP 3:** Manually screw **N** to **D**, as shown.



**STEP 4:**

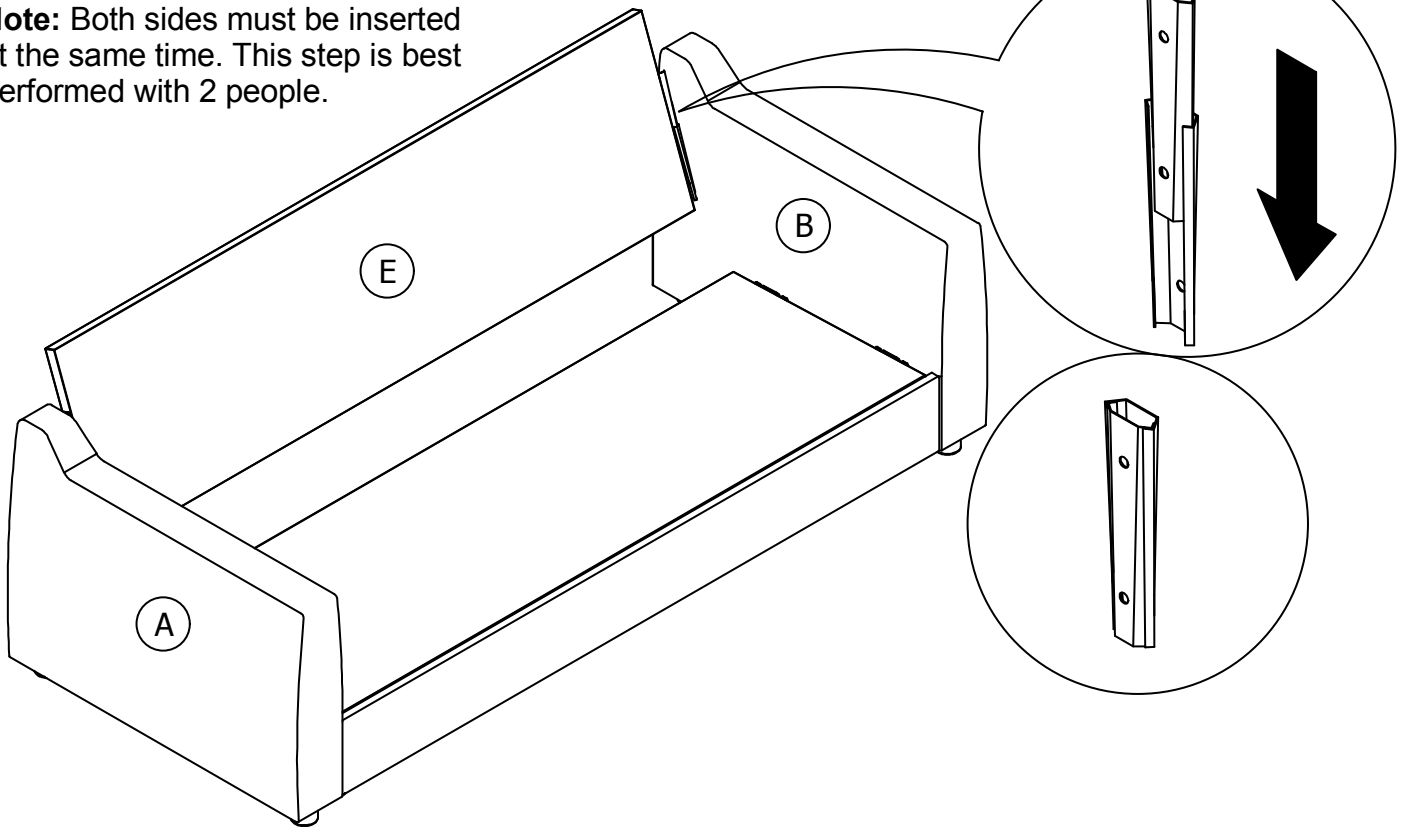
Attach **D** to **A** & **B** by inserting the metal brackets on **D** into the metal glides on **A** & **B**, as shown. Push **D** with a downward force to secure it into place.



**STEP 5:**

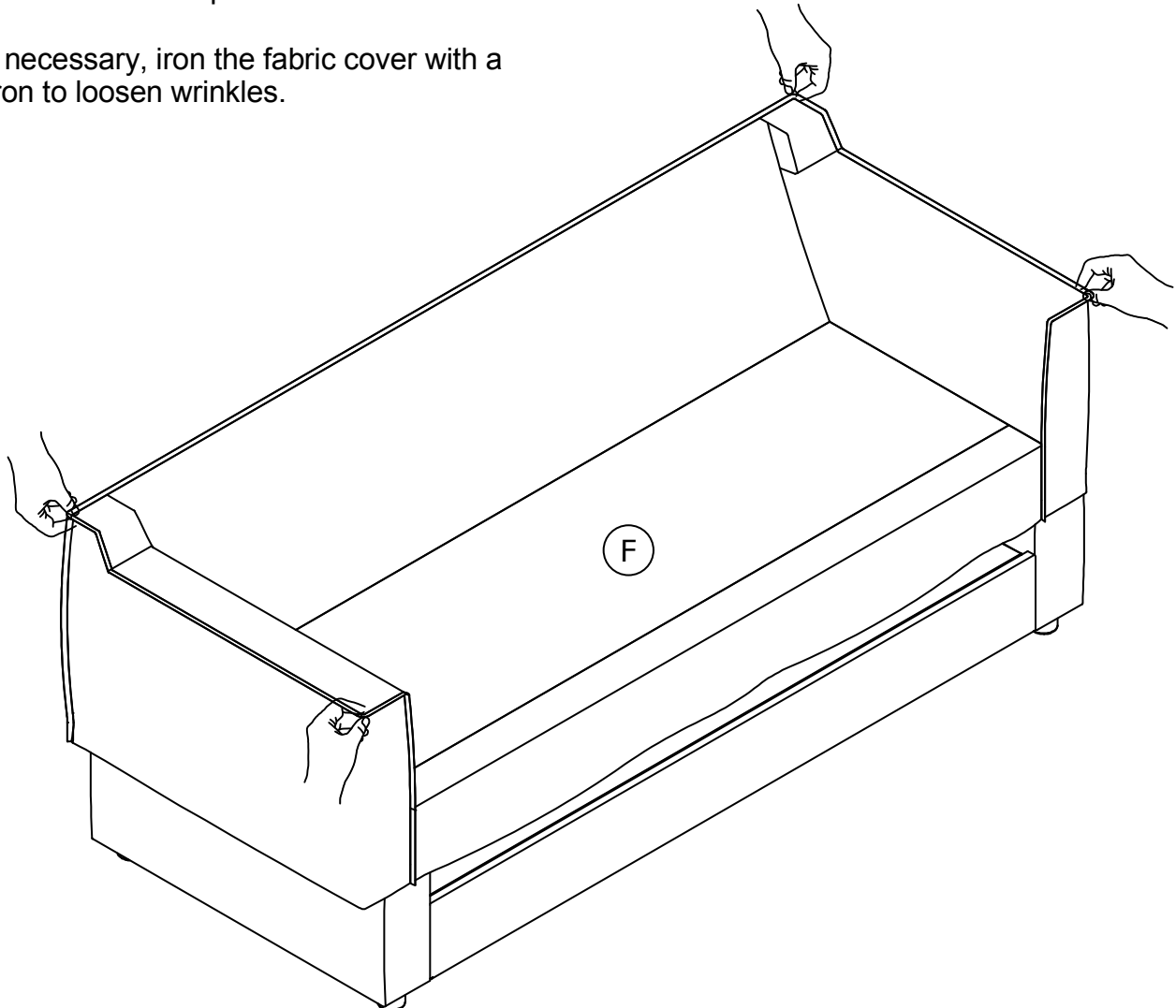
Attach **E** to **A** & **B** by inserting the brackets on **E** into the metal glides on **A** & **B**. Push **E** with a downward force to secure it into place.

**Note:** Both sides must be inserted at the same time. This step is best performed with 2 people.



**STEP 6:** Put the sofa slipcover **F** on the sofa.

**Note:** If necessary, iron the fabric cover with a steam iron to loosen wrinkles.

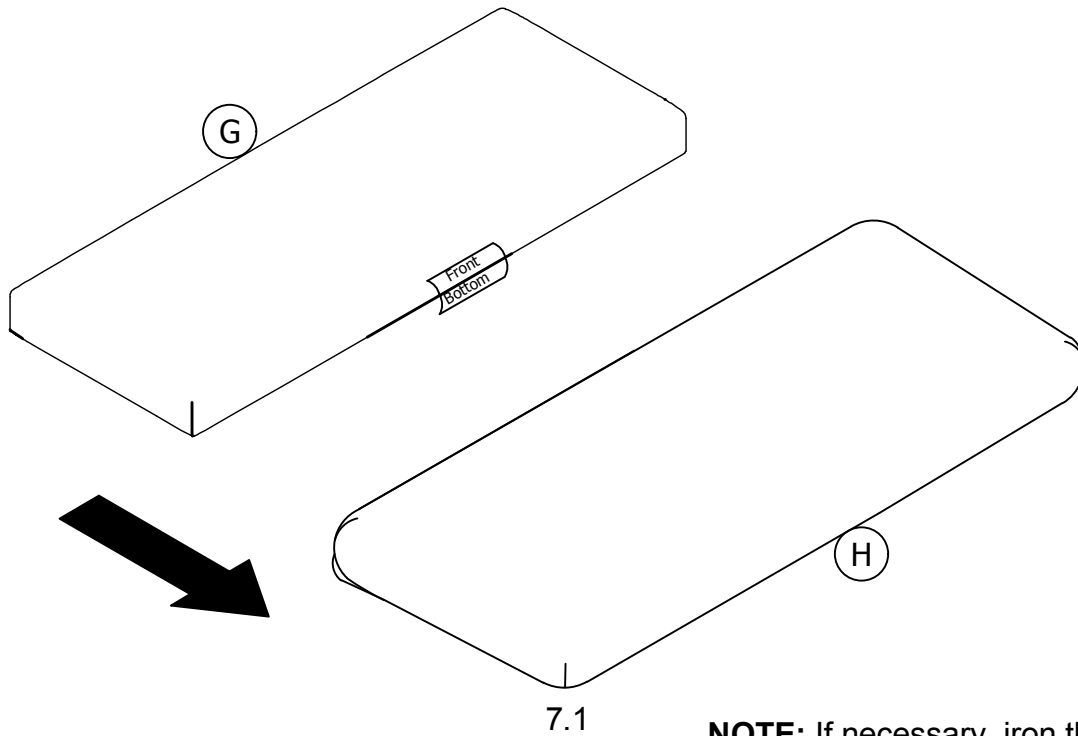


**Step 7:** Remove the cushions from their vacuum sealed package.

7.1 Open the zipper on **H** and insert **G** into **H** following the orientation as indicated in left view, close the zipper.

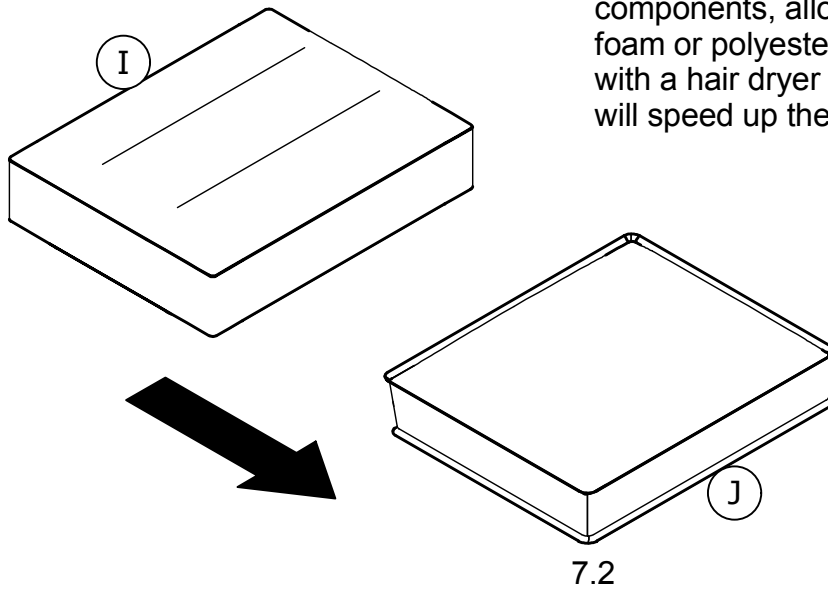
7.2 Open the zipper on **J** and insert **I** x 3 into **J** x 3, close the zipper.

7.3 Open the zipper on **K** and insert **L** x 2 into **K** x 2, close the zipper.

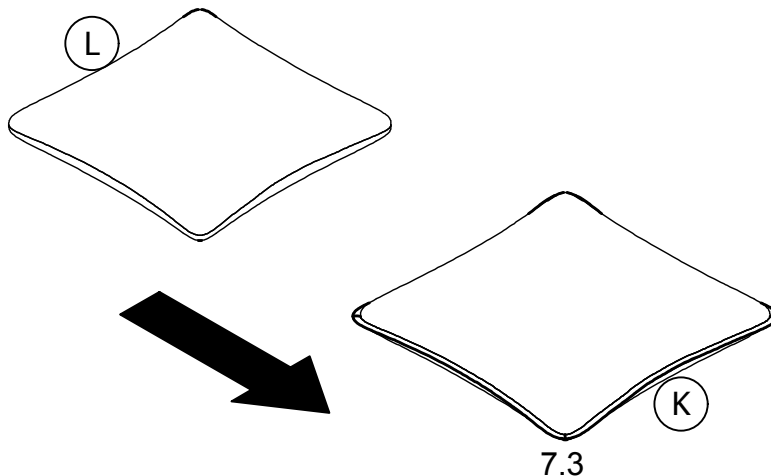


7.1

**NOTE:** If necessary, iron the fabric cover with a steam iron to loosen wrinkles. After unpacking all components, allow 72 hours for the compressed foam or polyester pillow fill to spring back. Blowing with a hair dryer or patting the mat with your hands will speed up the process.

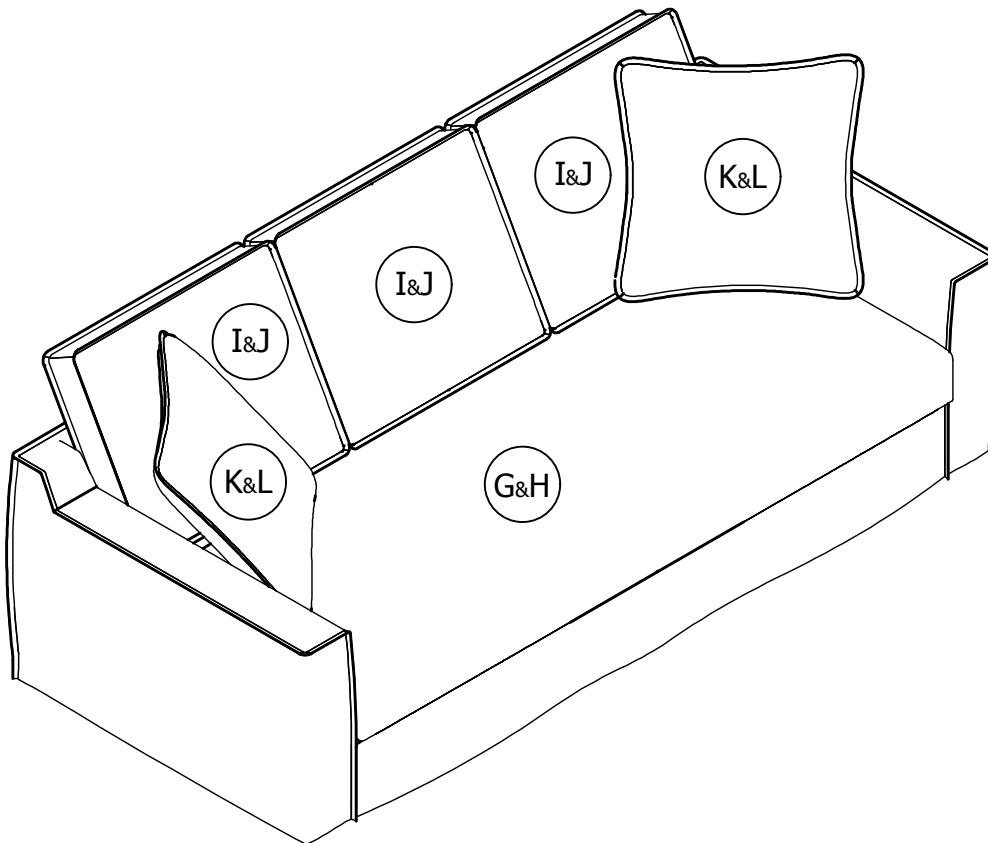


7.2



7.3

**Step 8:** Place ( G & H ), ( I & J ) x 3 and ( K & L ) x 2 onto the sofa.



## Helpful Hints

- Move your new furniture carefully, with two people lifting and carrying the unit to its new location.
- Your furniture can be disassembled and reassembled to move.
- Clean the product with a soft damp cloth. DO NOT use harsh chemicals or abrasive cleaners.
- For further information please contact at [sales4@jsanyee.com](mailto:sales4@jsanyee.com)

