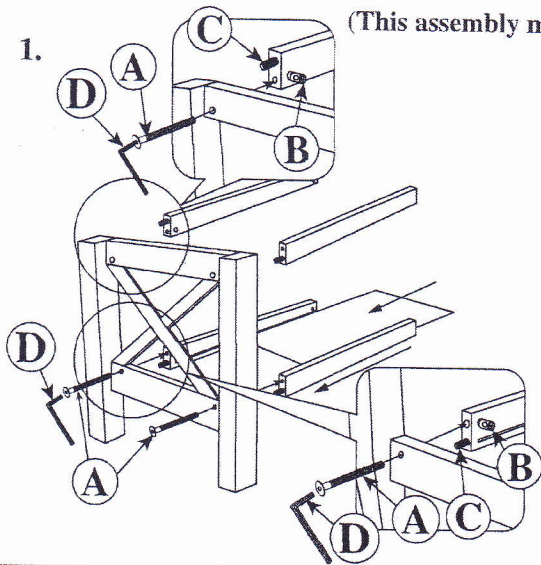


# COFFEE TABLE

1. (This assembly method also apply to side table)

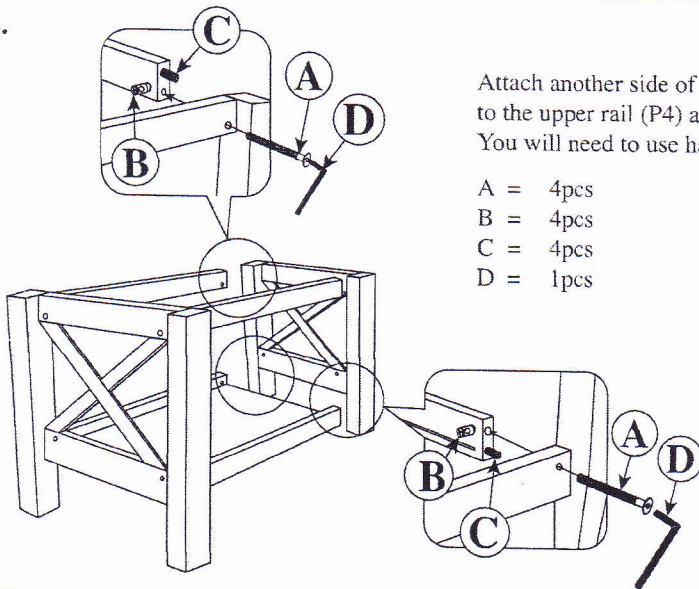


Attach the upper rail (P4) and lower rail (P5) to the table leg (P2). You will need to use hardware:

- A = 4pcs
- B = 4pcs
- C = 4pcs
- D = 1pcs

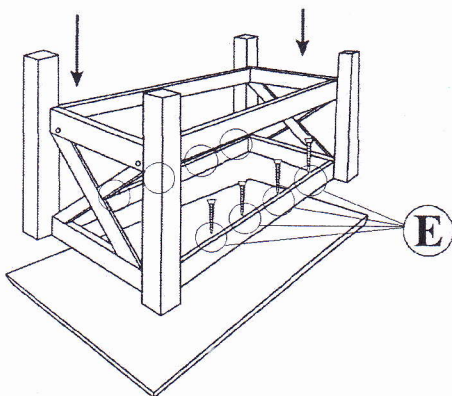
Put in the newspaper board (P3) to the lower rail (P5).

2. Attach another side of table leg (P2) to the upper rail (P4) and lower rail (P5). You will need to use hardware:



- A = 4pcs
- B = 4pcs
- C = 4pcs
- D = 1pcs

3. Place the table top (P1) upside down on a non-abrasive surface. Attach the table top (P1) with the upper rail (P4). You will need to use hardware:




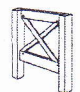



- E = 8pcs (CT)
- 6pcs (ST)

**\*\* For side table only 3 pcs screw each side apply only \*\***





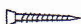
## WARNING!!

- Remove hardware from box and sort by size.
- Please check to see that hardware and parts are present prior start of assembly.
- Please follow attached instruction in the same sequence numbered to ensure fast and easy assembly.
- Do not use this table if any part is broken, torn or missing.
- The assembly of this product requires two people.
- Do not use any power tools as this may damage the frame and will invalidate any claim.
- Please do not tighten the unit until fully set up for the easy of parts intallation.

## PART LIST

P1		Table Top	= 1pcs
P2		Table Leg	= 2pcs
P3		Newspaper Board	= 1pcs
P4		Rail (upper)	= 2pcs
P5		Rail (lower)	= 2pcs

## HARDWARE LIST

A		M6 x 50mm JCBC	8pcs
B		BARREL NUT	8pcs
C		Ø8 x 35mm WOOD DOWEL	8pcs
D		ALLEN KEY M4	1pcs
E		M4 X 25mm SCREW	(CT) 8pcs (ST) 6pcs

## FULLY SET UP

