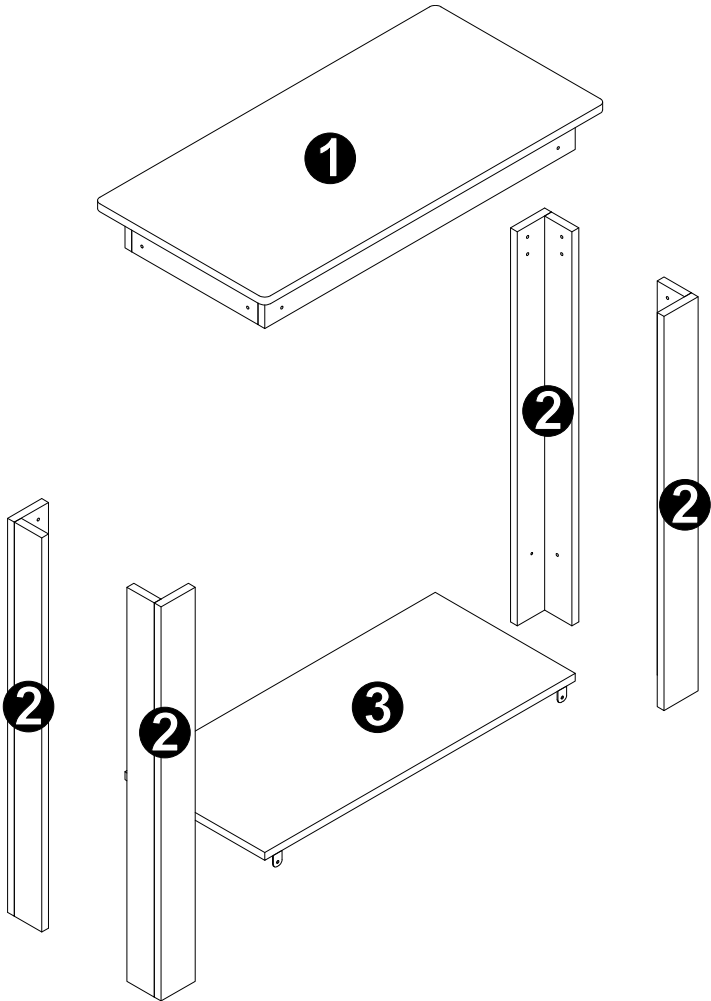
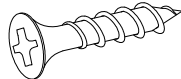
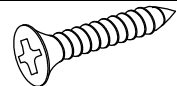
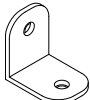


# PARTS LIST

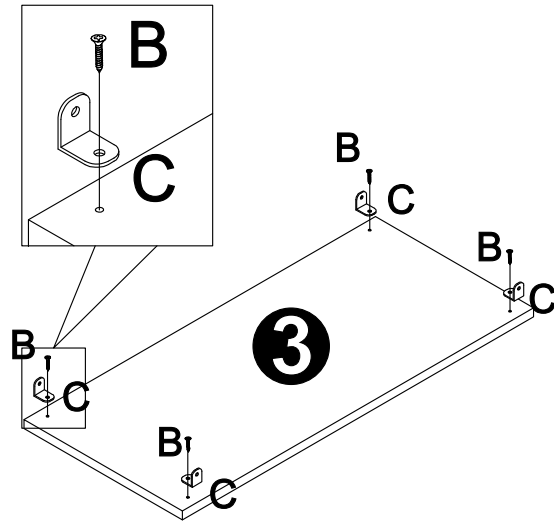


NO	QTY	DESCRIPTION
1	1	Roof
2	4	Side leg
3	1	Laminate

NO	PARTS	QTY	DESCRIPTION
A		16PCS	screw
B		8PCS	screw
C		4PCS	Angle code

**TOOLS NEEDED FOR ASSEMBLY: FLAT & PHILLIPS SCREWDRIVER (NOT INCLUDED)  
THE USE OF POWER SCREWDRIVER IS NOT RECOMMENDED**

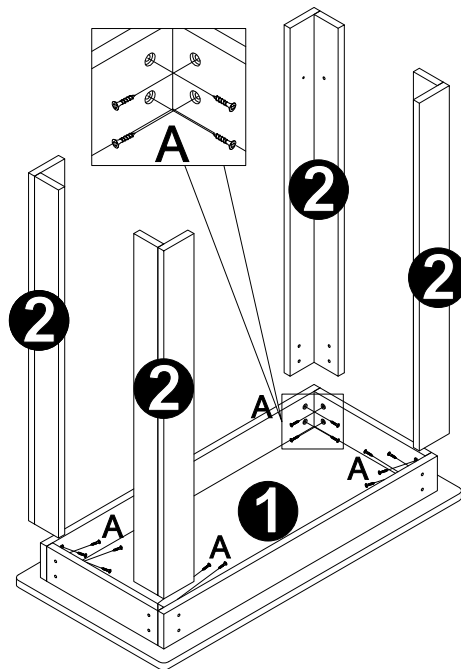
## STEP1



### Step1

(1) Use screw B locks angle code C on the plate No. 3

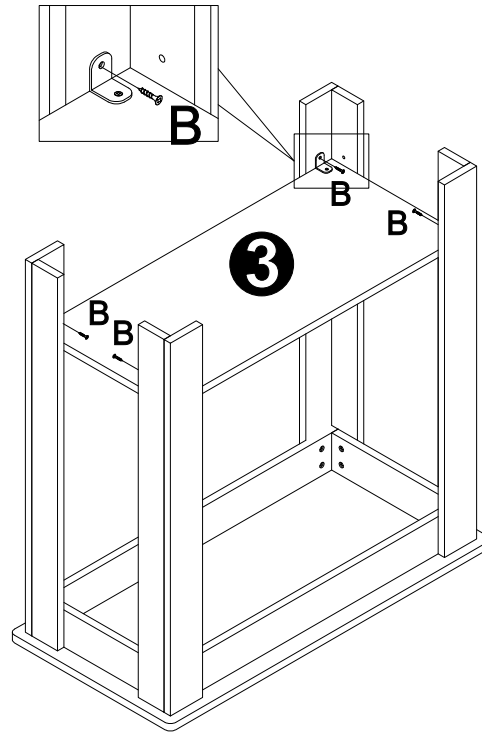
## STEP2



### Step2

(1) Use screw A locks plate No. 1 with the No. 2 side leg.

## STEP3



### Step3

**(1) Use screw B locks plate No. 3 with the STEP2 assembled framework together.**

## STEP4

