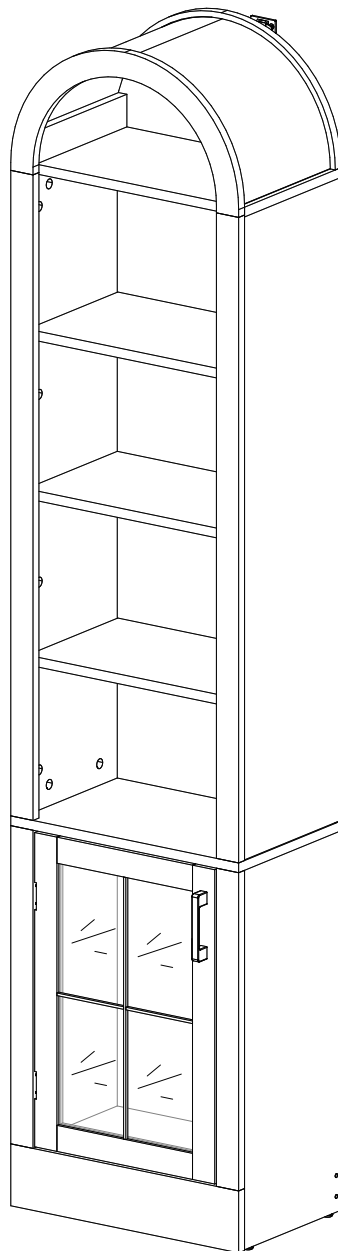


Assembly Instruction

Decorate your home, Brighten wonderful life



Notes:

1. ASSEMBLY PREPARATION AND TIPS FOR ASSEMBLY

- 1). Remove all packaging materials, staples and packing straps from the carton.
- 2). Refer to Parts List and Hardware List, and ensure parts and hardware are correct before assembly.
Contact customer service for missing parts.
- 3). Place all wooden parts on a clean, flat and soft surface (e.g. carpet or rug) to prevent scratch and damage to parts.
- 4). Allow ample room for assembly and assemble the product near where the product will be placed.
- 5). During assembly, do not over-tighten any fittings as this may cause damage.
- 6). Always place the product on a flat, level surface.

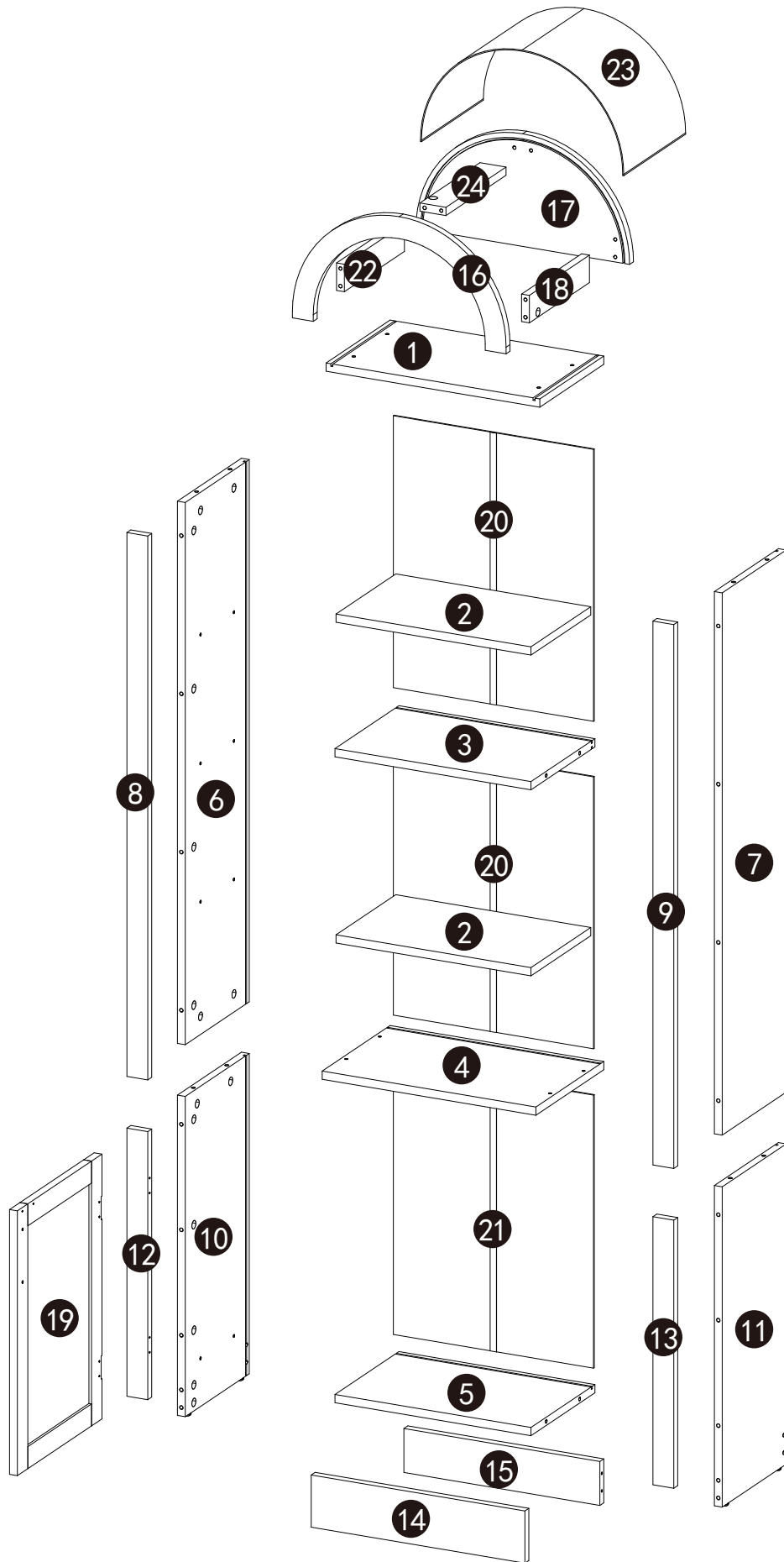
2. CARE AND MAINTENANCE

- 1). KEEP ALL HARDWARE PARTS OUT OF REACH OF CHILDREN.
- 2). Wipe clean with a soft, dry cloth; avoid the use of harsh chemicals or household cleaners as they may damage the exterior finish of the furniture.
- 3). Hardware may loosen over time. Periodically, check that all connections are tight; re-tighten as necessary.

3. TIPS TO PROTECT & CARE FOR YOUR FURNITURE

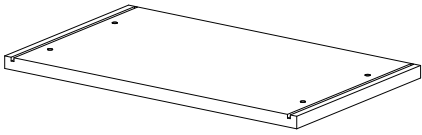
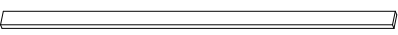
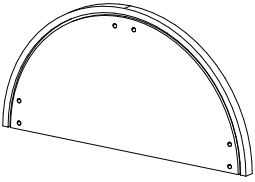
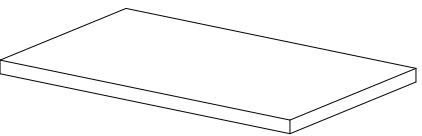
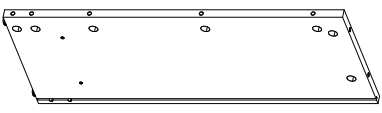
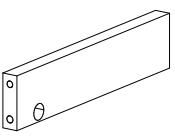
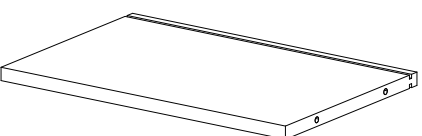
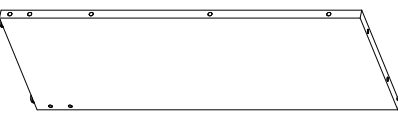
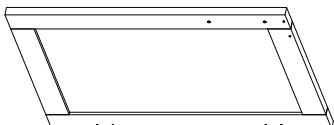
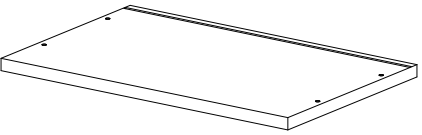
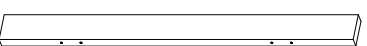
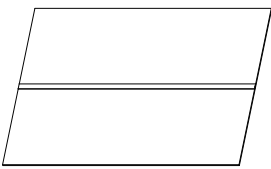
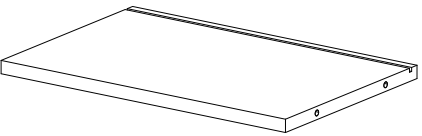
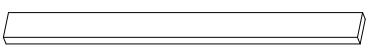
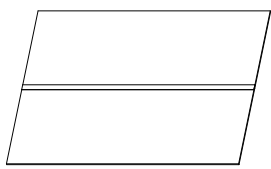
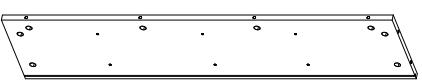
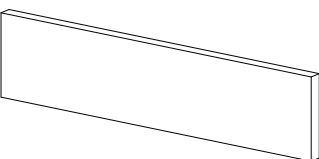
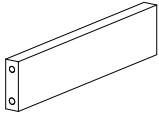
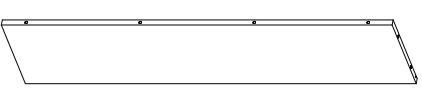
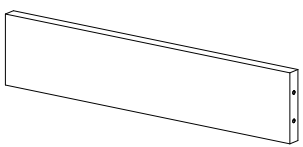
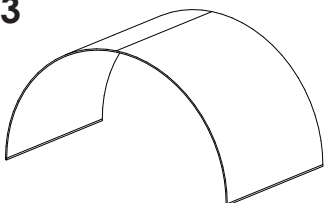

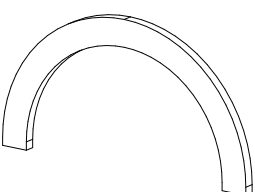
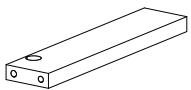
- 1). Avoid placing your furniture in direct sunlight, as sunlight causes fading.
- 2). Use a protective pad when writing on the furniture surface.
- 3). Use cutting boards and trivets for food preparation in order to avoid damaging the top for the unit.

Plate number



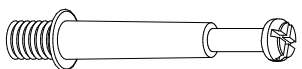
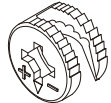
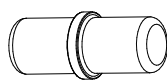
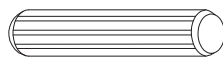
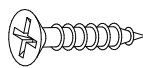
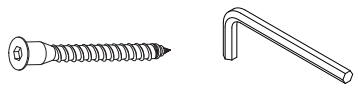

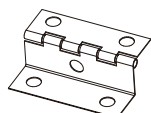
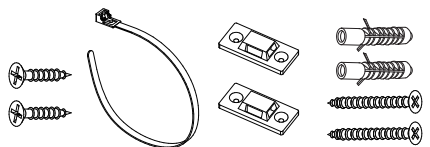
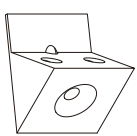

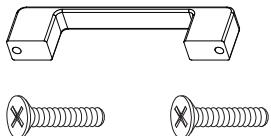
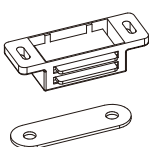
PARTS LIST

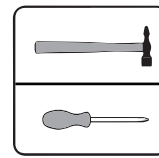
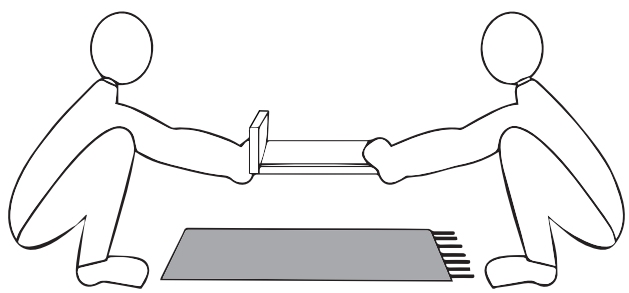
Unit: (mm)

<p>1 x1 PC</p> 	<p>9 x1 PC</p> 	<p>17 x1 PC</p> 
<p>2 x2 PC</p> 	<p>10 x1 PC</p> 	<p>18 x1 PC</p> 
<p>3 x1 PC</p> 	<p>11 x1 PC</p> 	<p>19 x1 PC</p> 
<p>4 x1 PC</p> 	<p>12 x1 PC</p> 	<p>20 x2 PC</p> 
<p>5 x1 PC</p> 	<p>13 x1 PC</p> 	<p>21 x1 PC</p> 
<p>6 x1 PC</p> 	<p>14 x1 PC</p> 	<p>22 x1 PC</p> 
<p>7 x1 PC</p> 	<p>15 x1 PC</p> 	<p>23 x1 PC</p> 
<p>8 x1 PC</p> 	<p>16 x1 PC</p> 	<p>24 x1 PC</p> 

ACCESSORIES LIST

Unit: (mm)

<p>A 6x35 x41 PC</p> 	<p>B 15x10 x41 PC</p> 	<p>C x8 PC</p> 
<p>D 8x40 x6 PC</p> 	<p>E M3.5x14 x10 PC</p> 	<p>F M5x40/#3 x11 PC/x1 PC</p> 
<p>G M3x14 x20 PC</p> 	<p>H Hinge x2 PC</p> 	<p>J x1 PC</p> 
<p>K x18 PC</p> 	<p>L 21mm x33 PC</p> 	<p>M 96/M4x18 x1 PC</p> 
<p>N x1 PC</p> 		



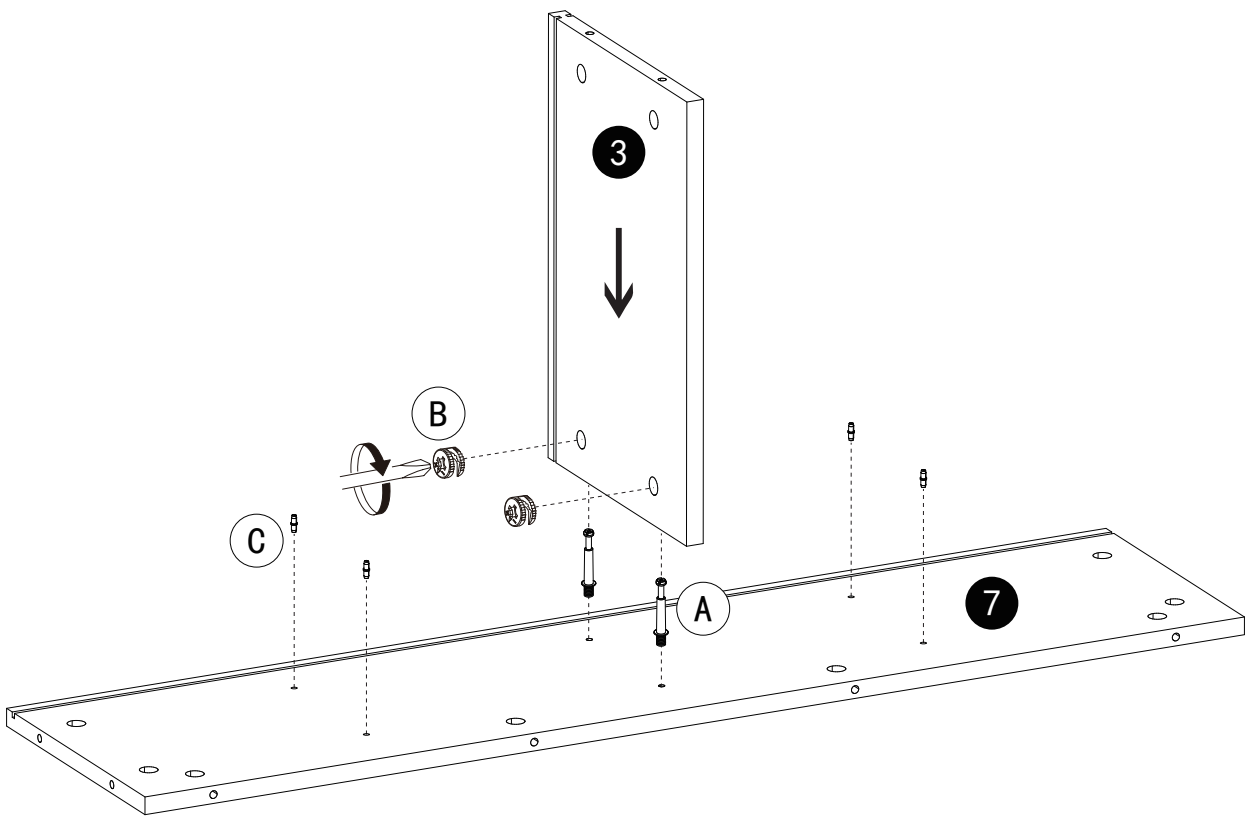
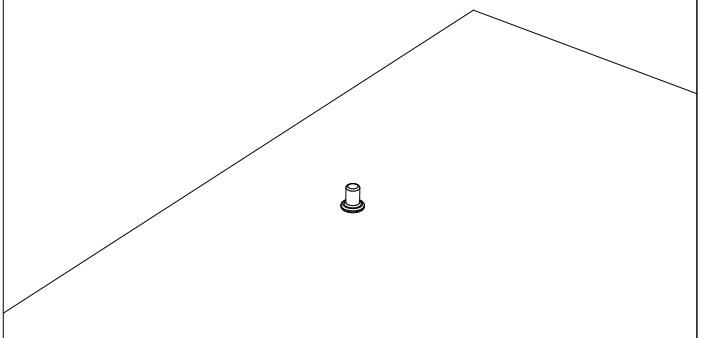
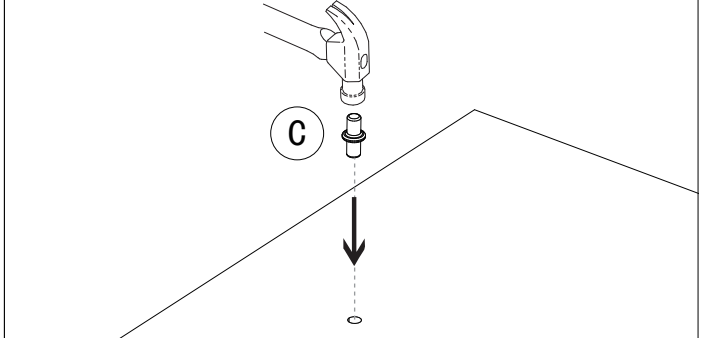
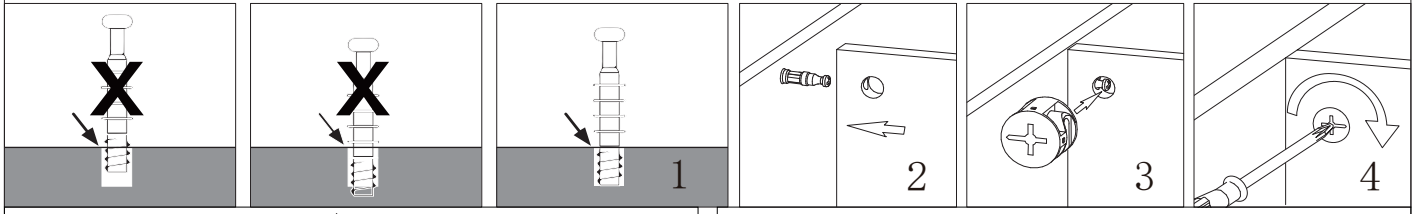
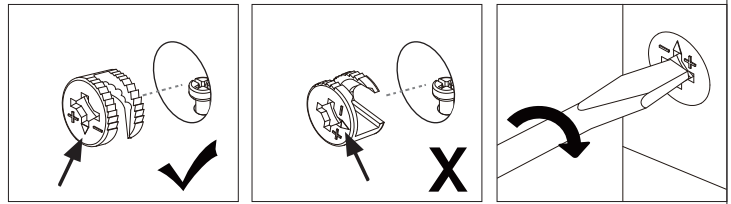
INSTALLATION INSTRUCTION

STEP 1

YOU WILL NEED

A		x2	B		x2	C		x4
----------	---	----	----------	---	----	----------	---	----

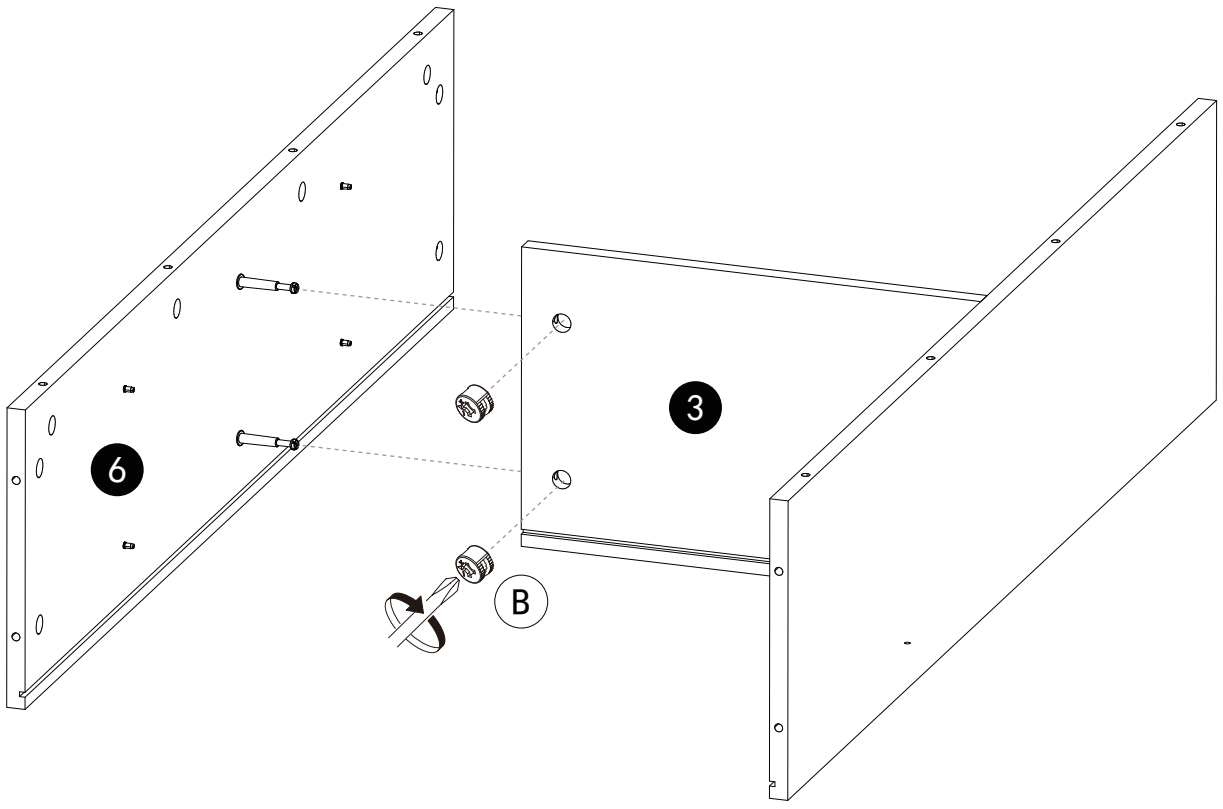
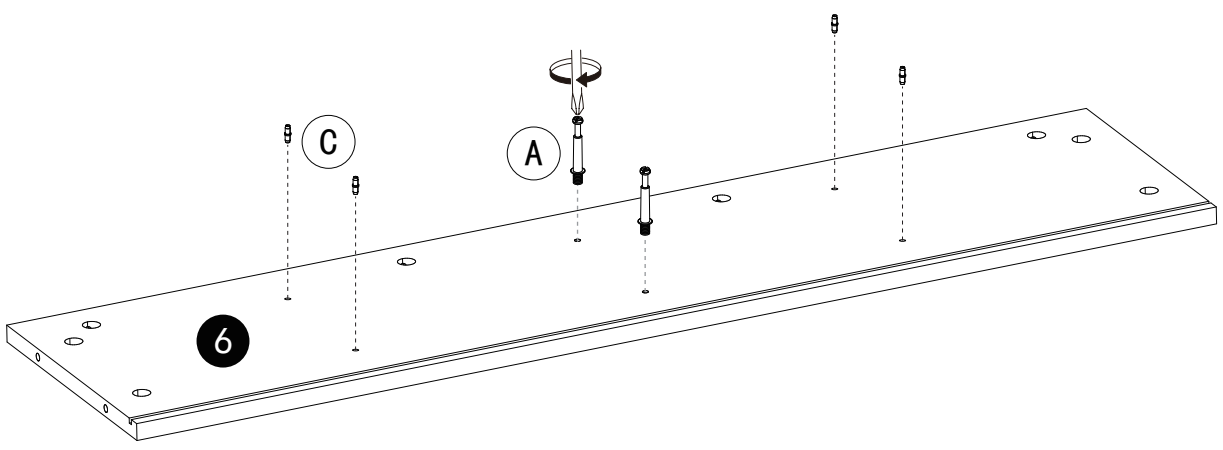
Installation method of three in one rod and buckle



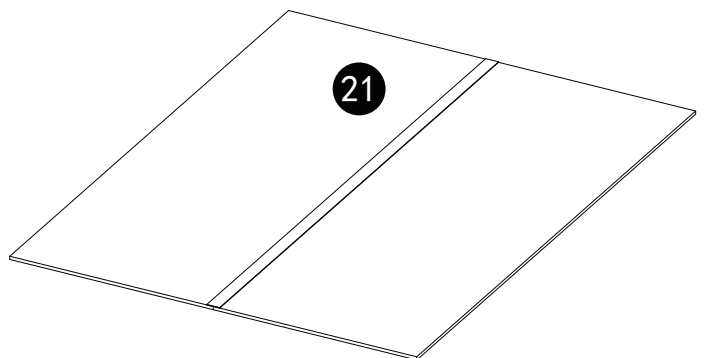
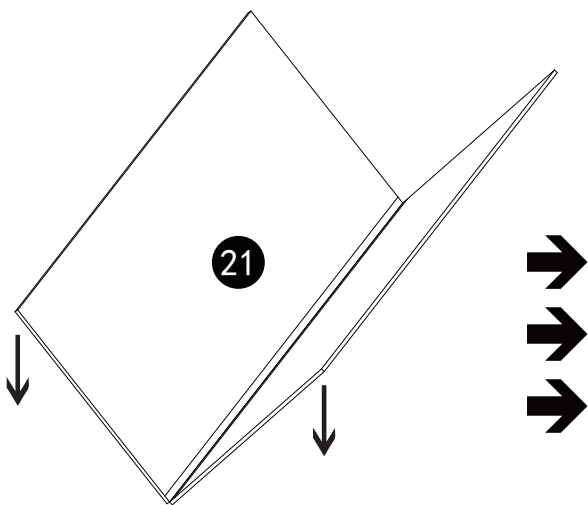
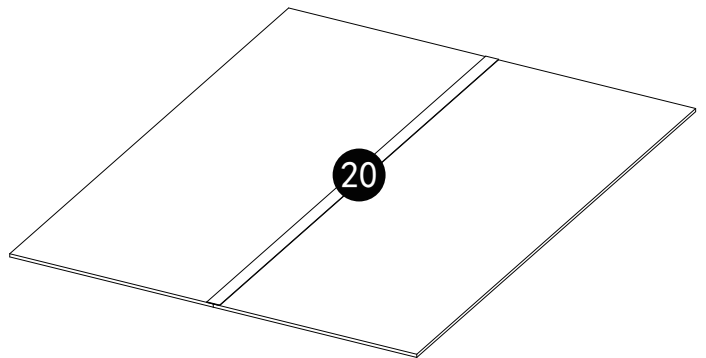
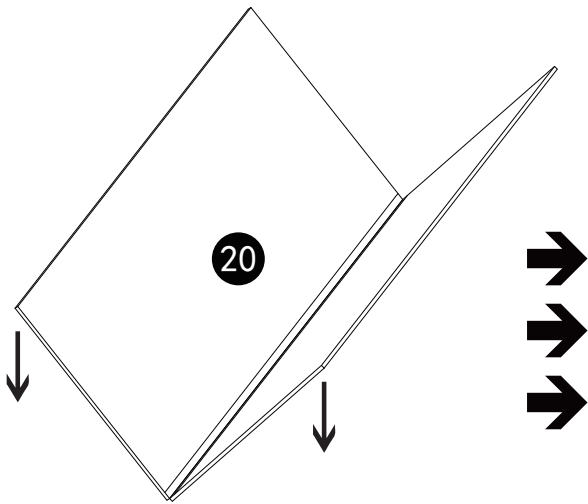
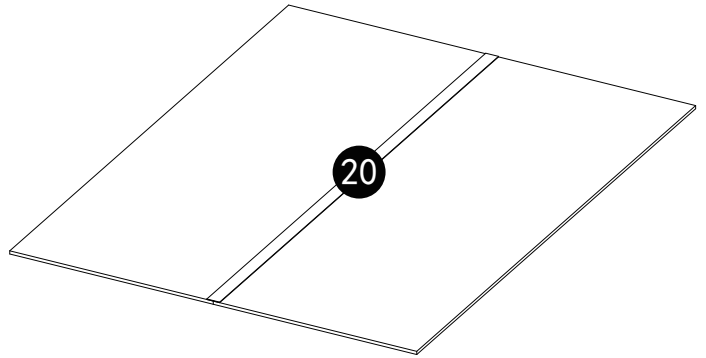
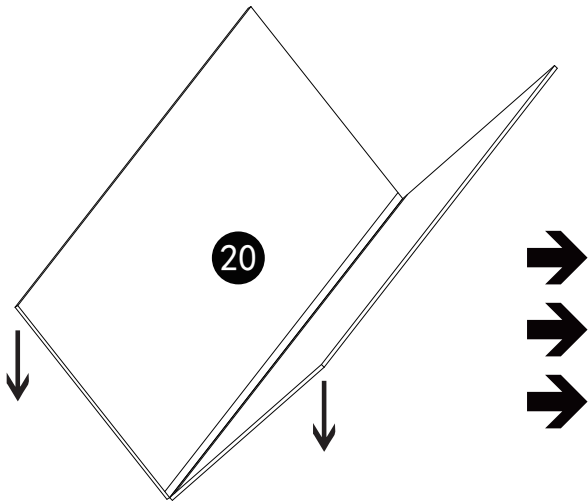
STEP 2

YOU WILL NEED

A		x2	B		x2	C		x4
---	---	----	---	---	----	---	---	----

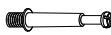





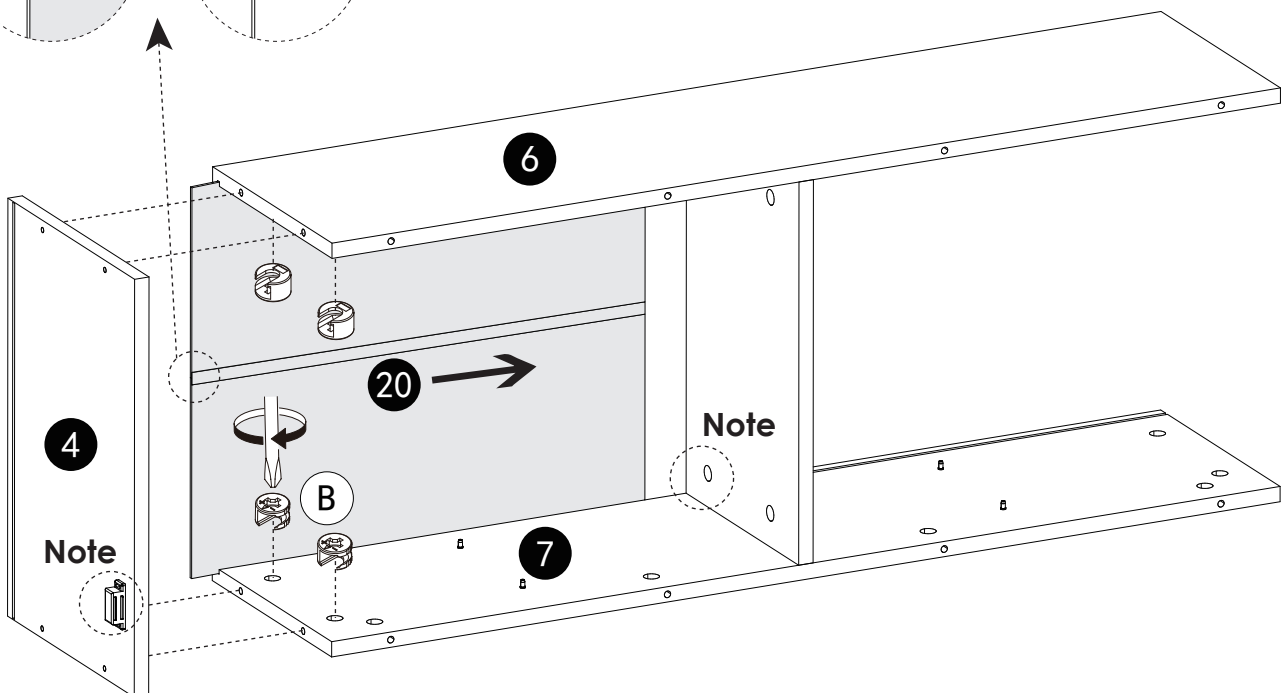
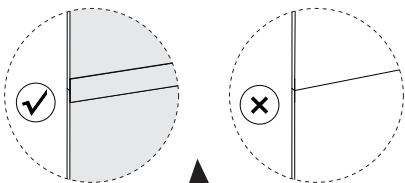
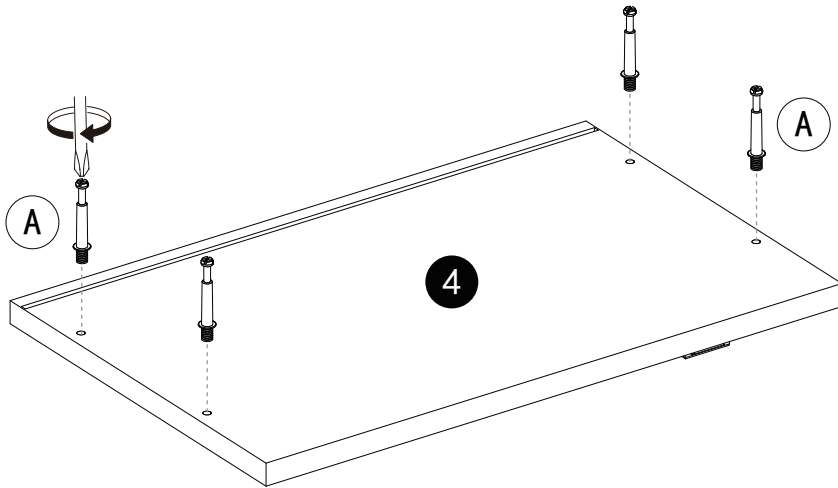
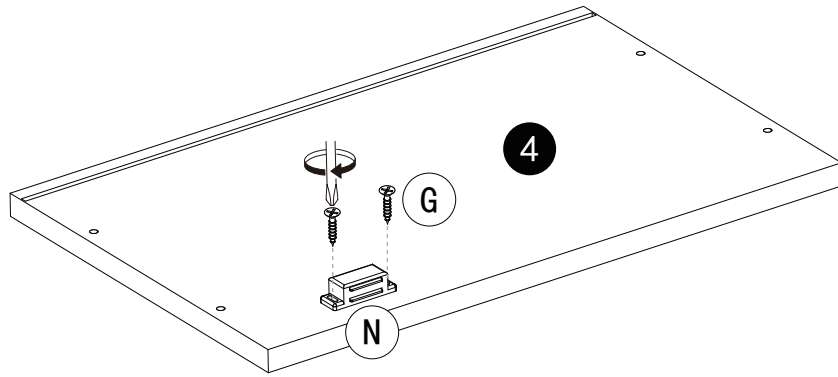
STEP 4



STEP 5

YOU WILL NEED

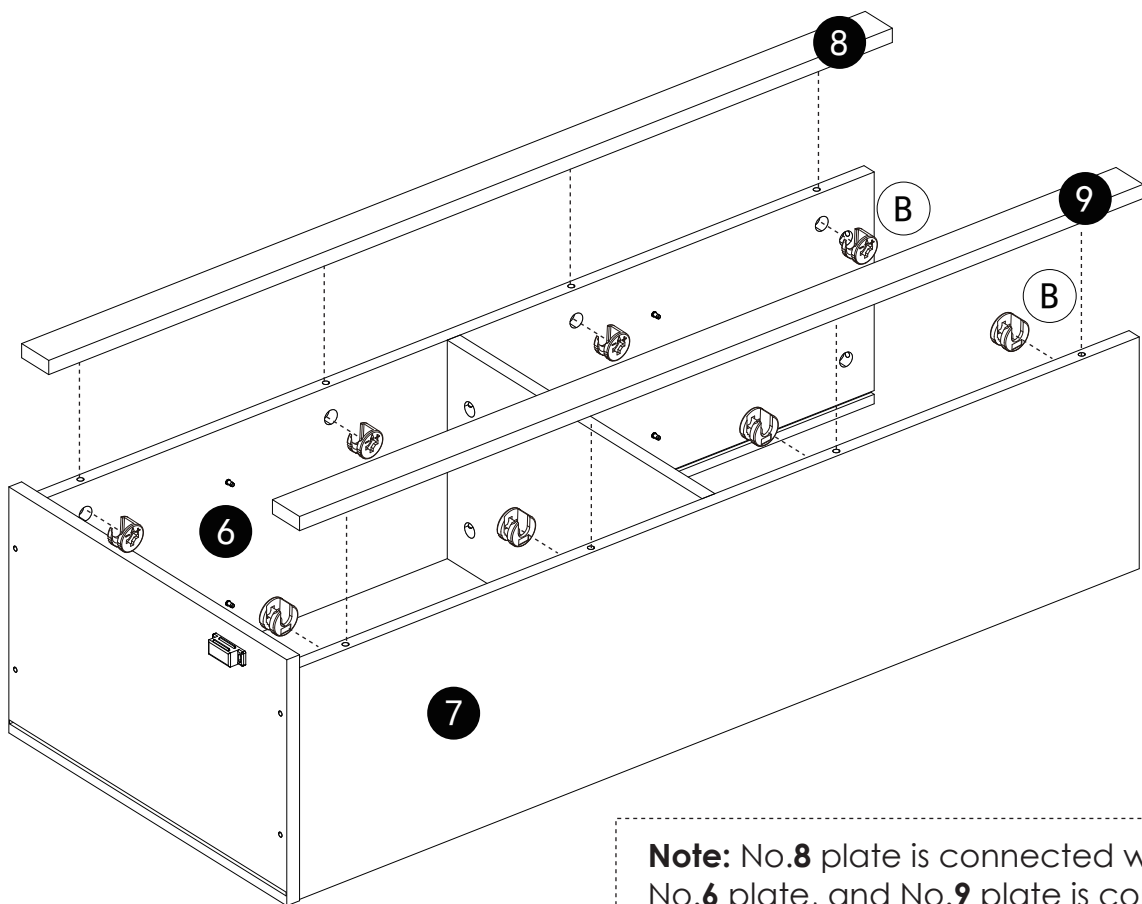
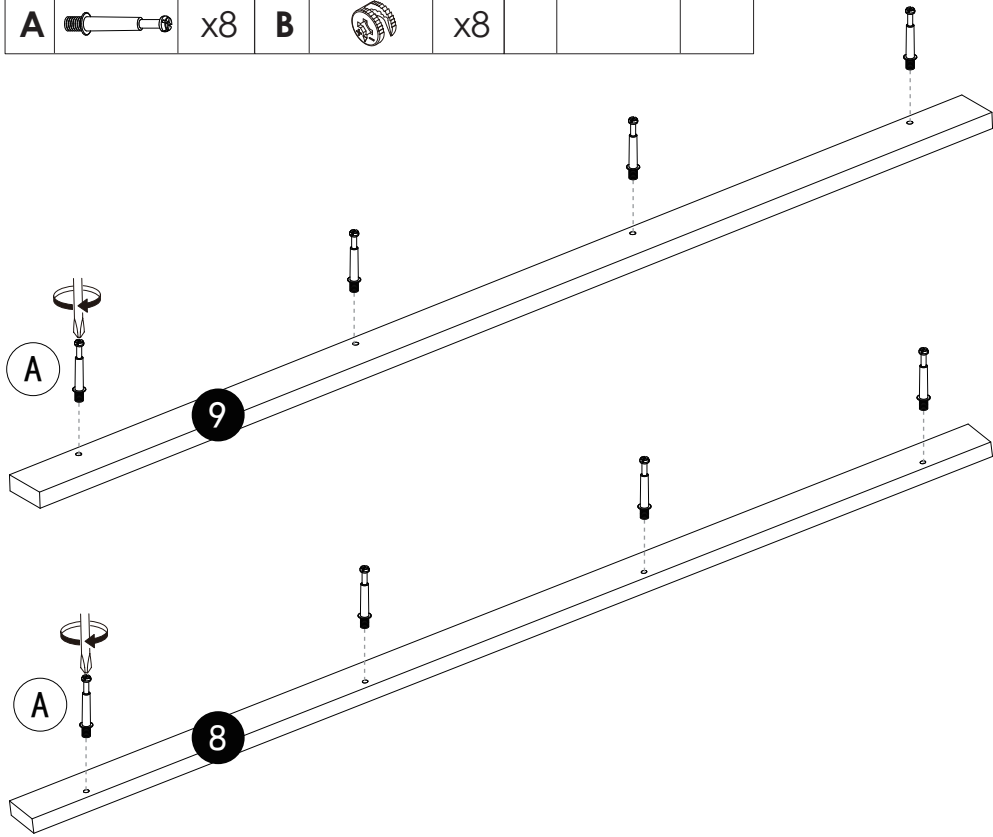
A		x4	B		x4	N		x1	G		x2
----------	---	----	----------	---	----	----------	---	----	----------	---	----



STEP 6

YOU WILL NEED

A		x8	B		x8				
----------	---	----	----------	---	----	--	--	--	--

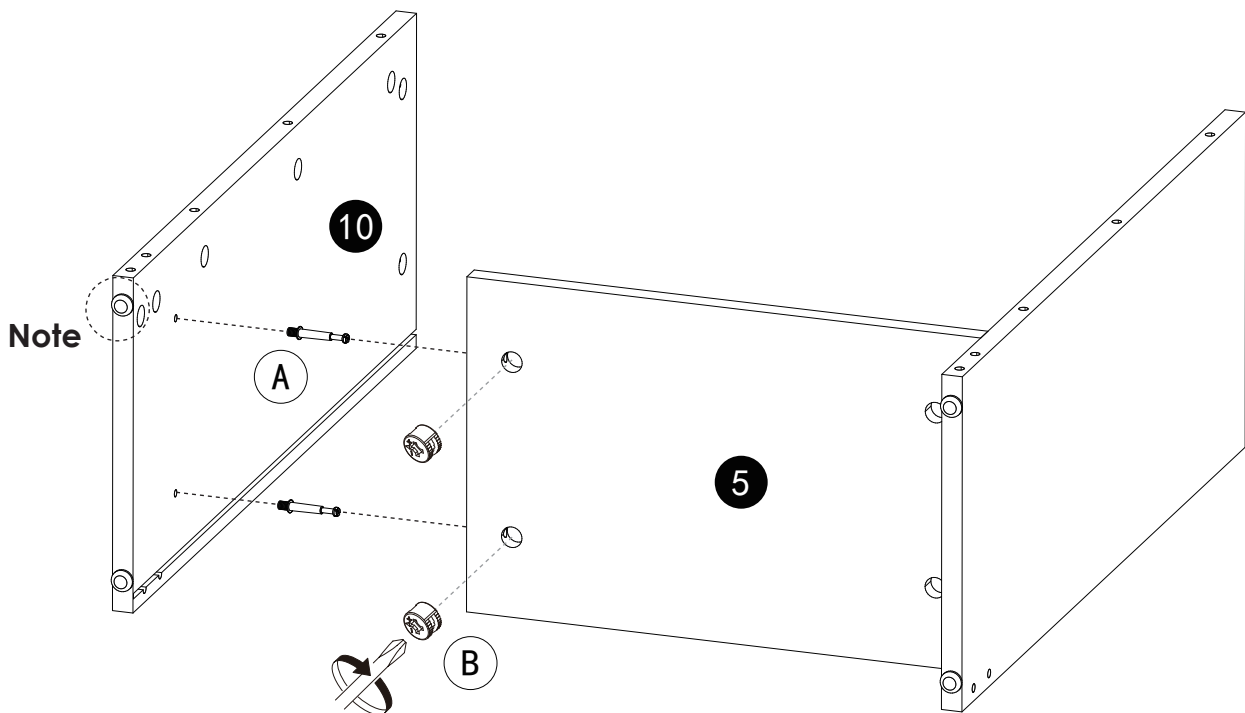
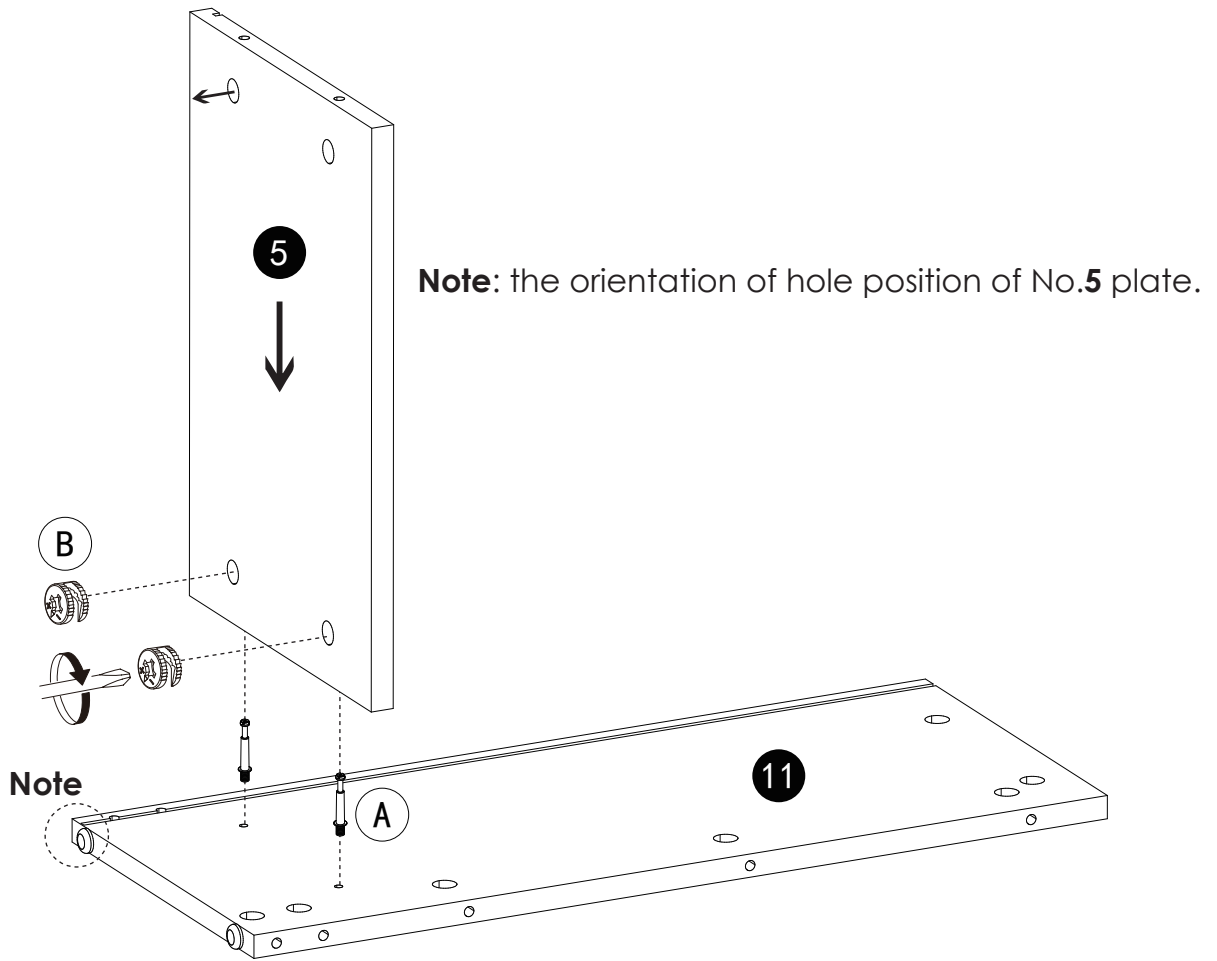


Note: No.8 plate is connected with No.6 plate, and No.9 plate is connected with No.7 plate.

STEP 7

YOU WILL NEED

A		x4	B		x4			
----------	---	----	----------	---	----	--	--	--



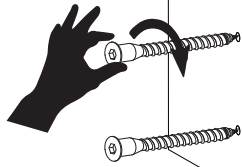
STEP 8

YOU WILL NEED

F

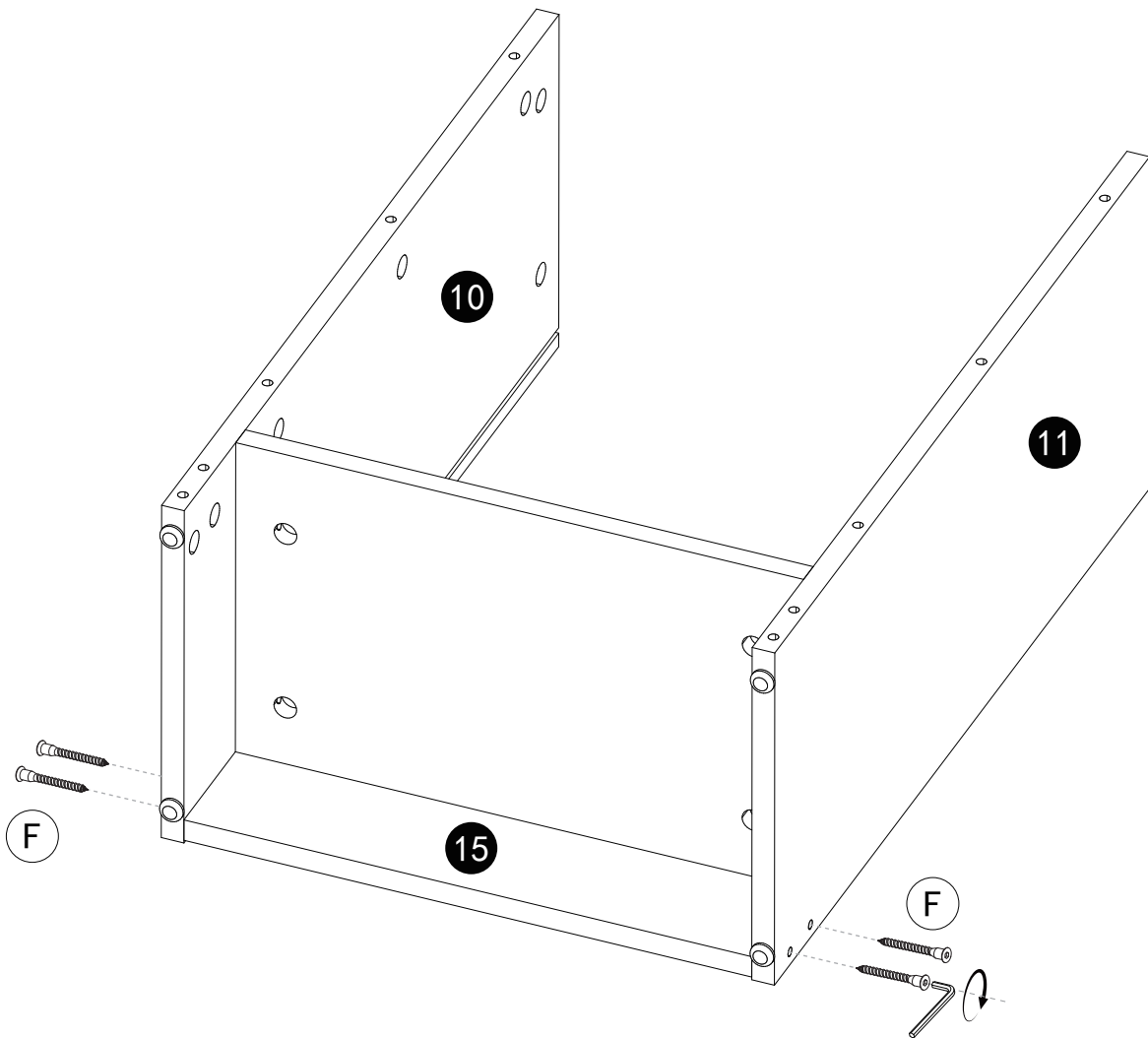
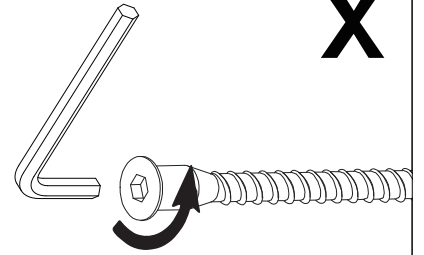
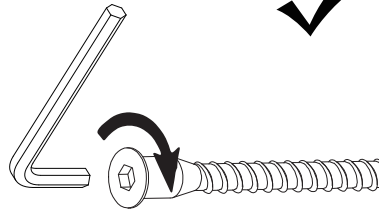


x4



1

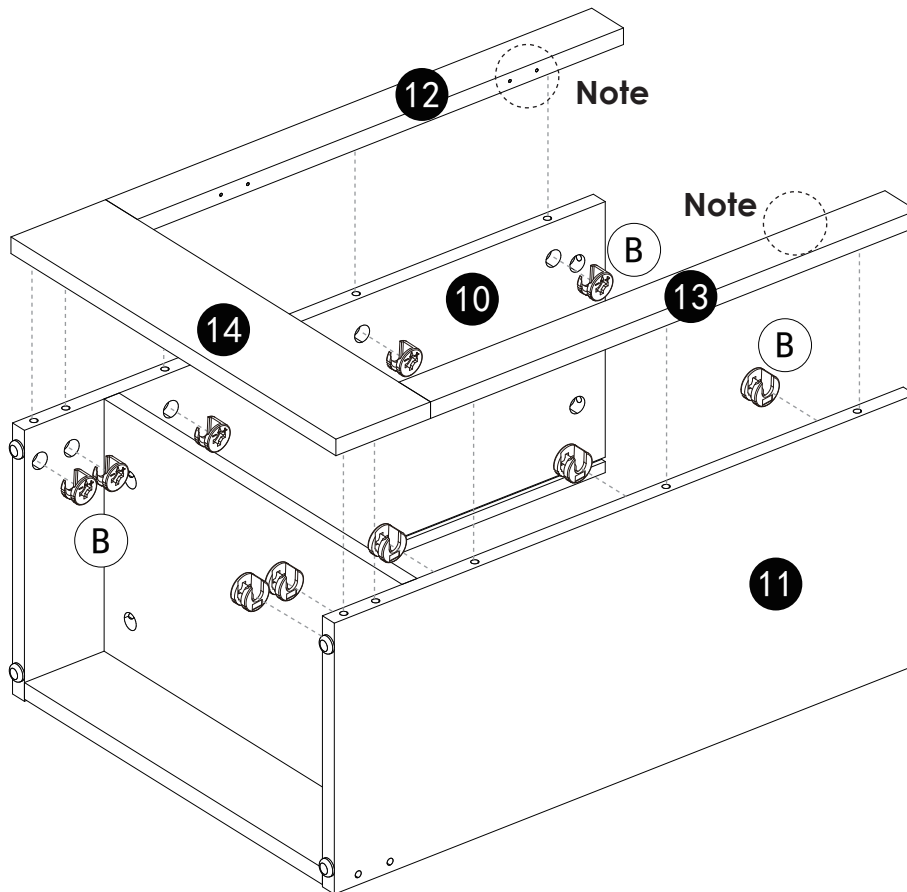
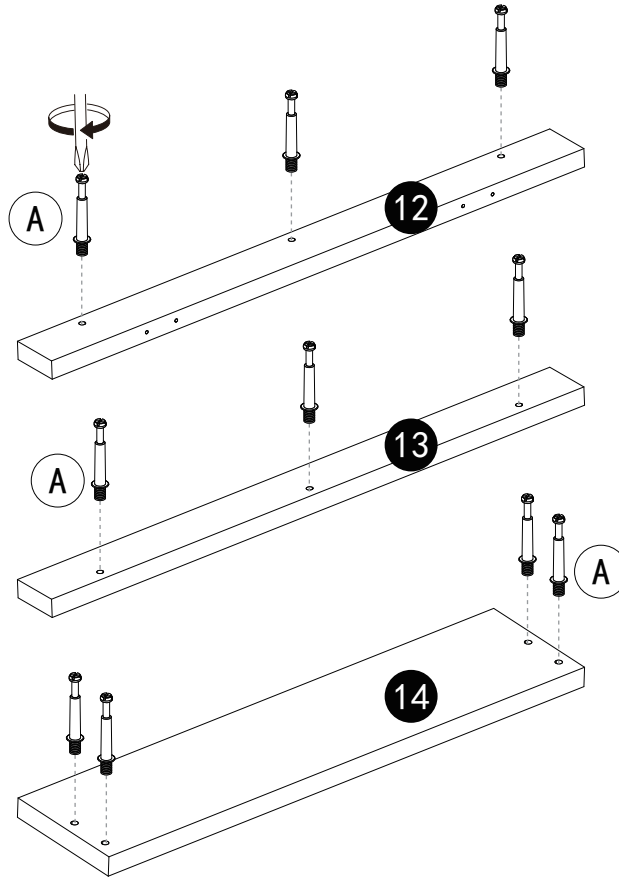
2



STEP 9



YOU WILL NEED

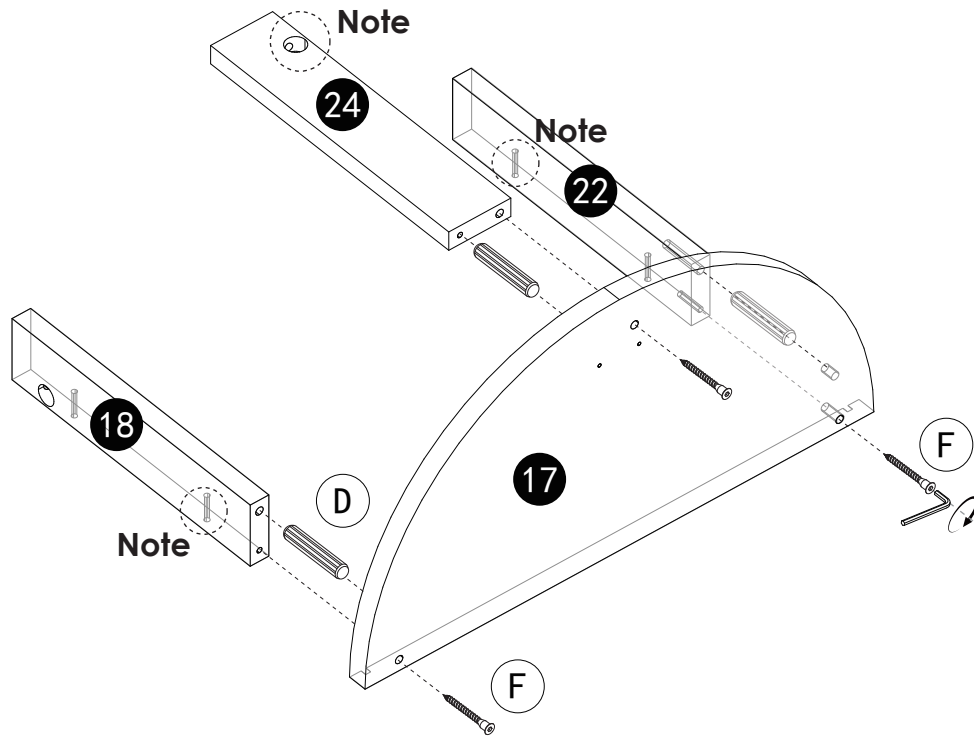
A		x10	B		x10
----------	---	-----	----------	---	-----



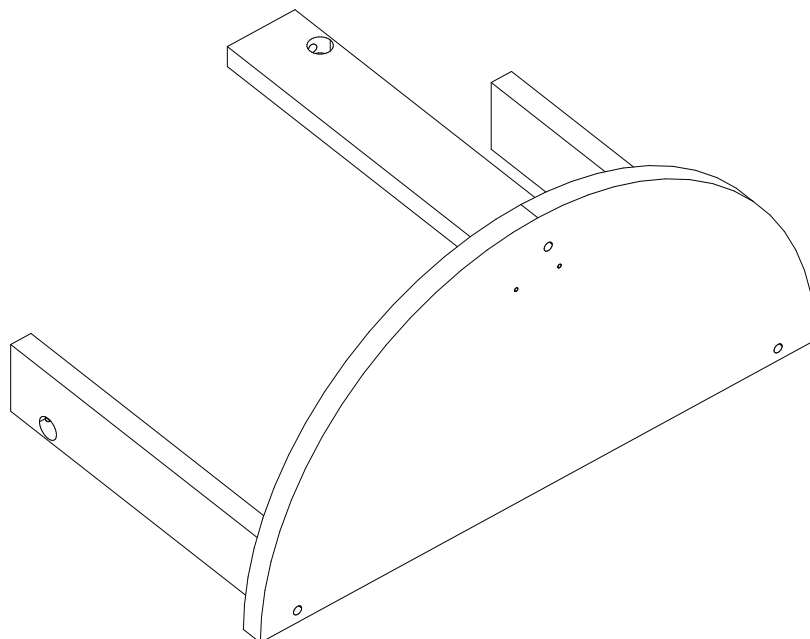
STEP 11

YOU WILL NEED

F		x3	D		x3		
---	---	----	---	---	----	--	--



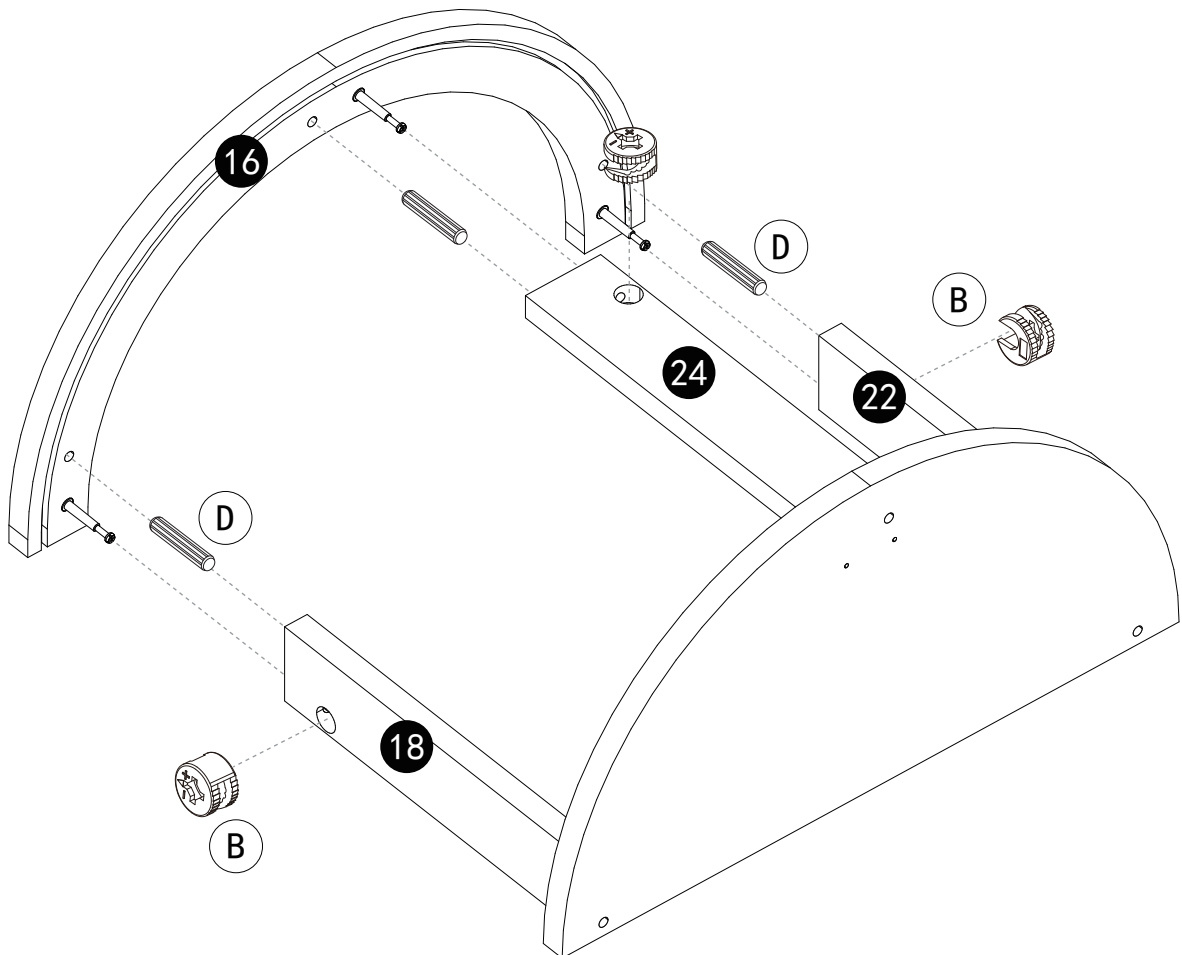
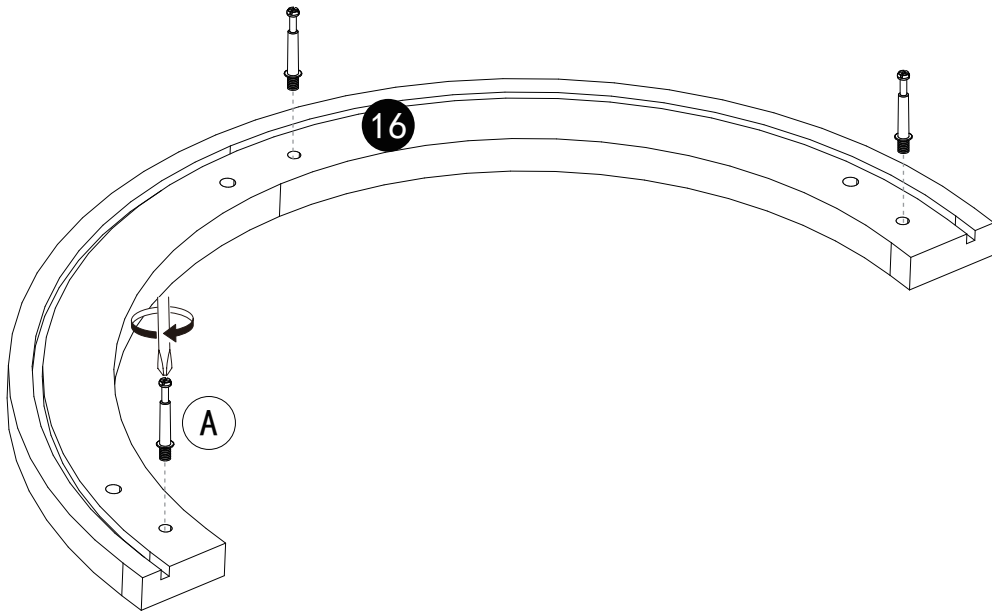
Note: the hole position of No.18 plate and No.22 plate is downward.



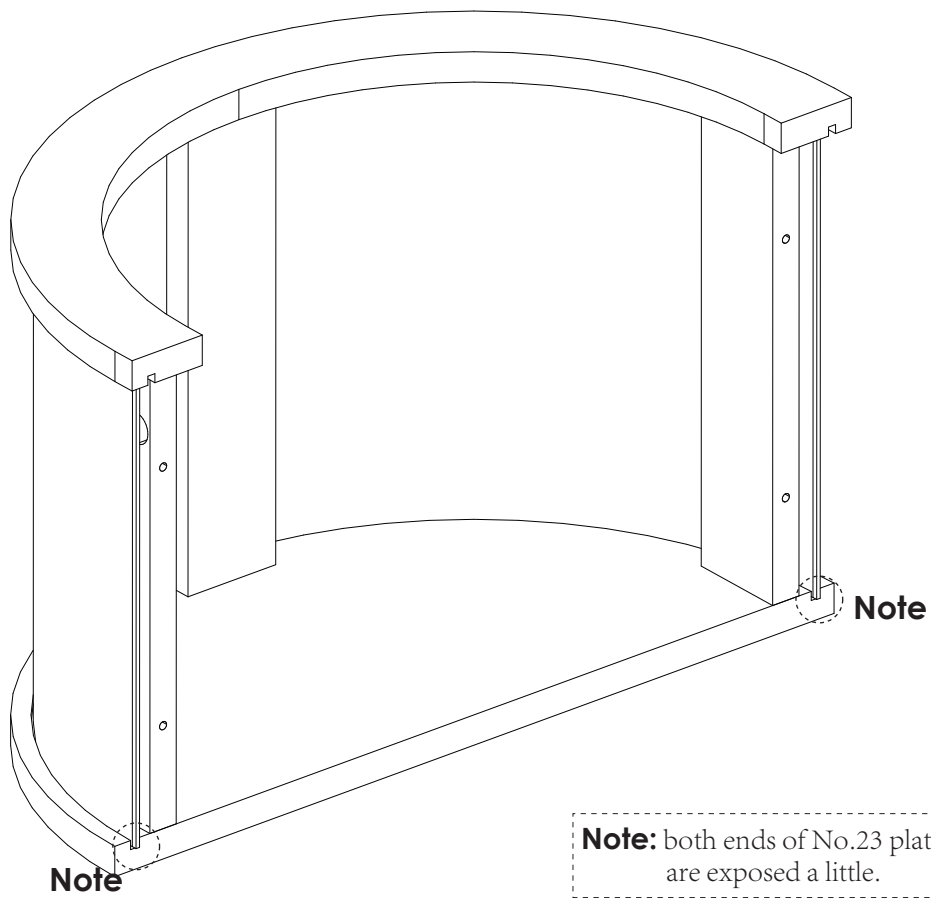
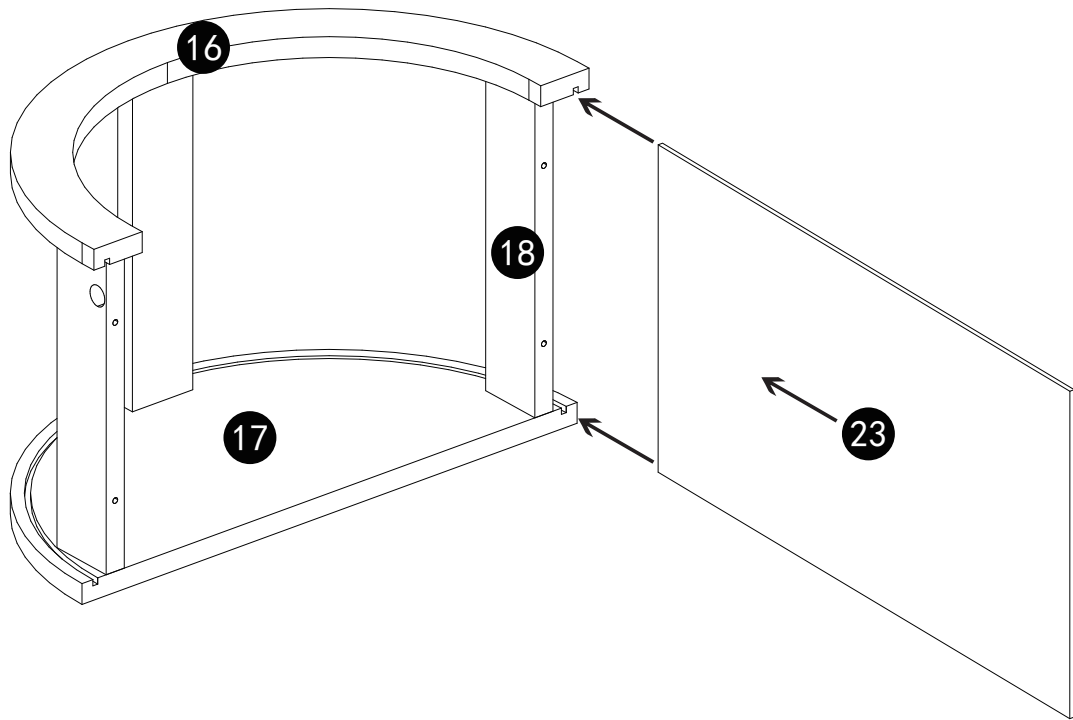
STEP 12

YOU WILL NEED

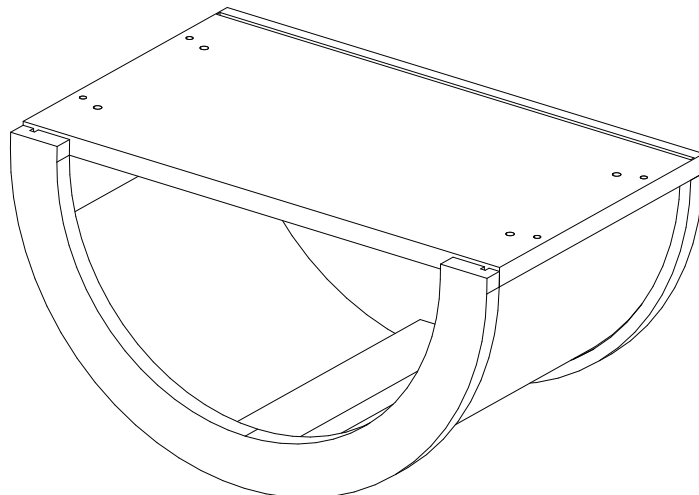
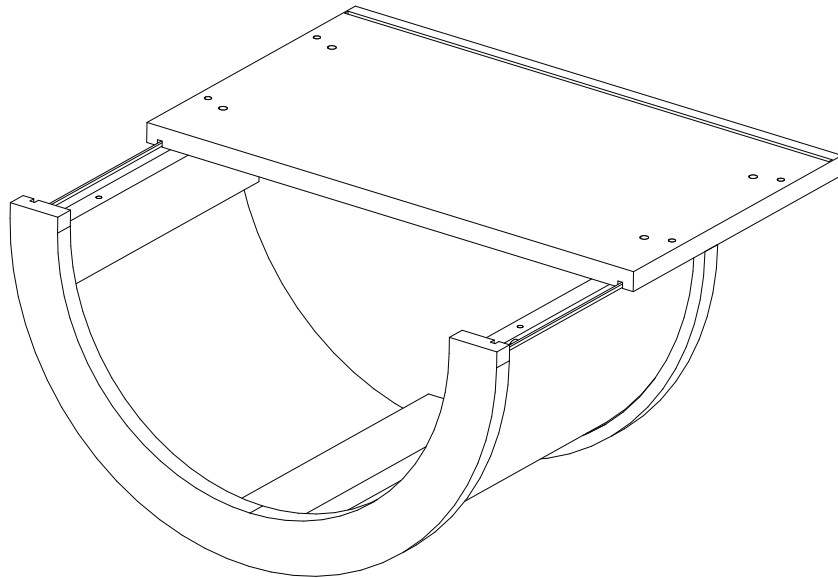
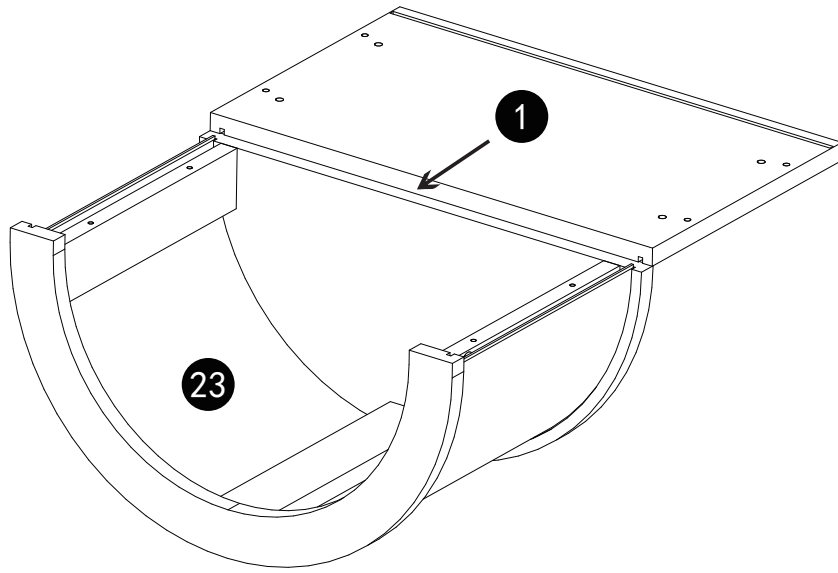
A		x3	B		x3	D		x3
----------	---	----	----------	---	----	----------	---	----



STEP 13

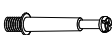



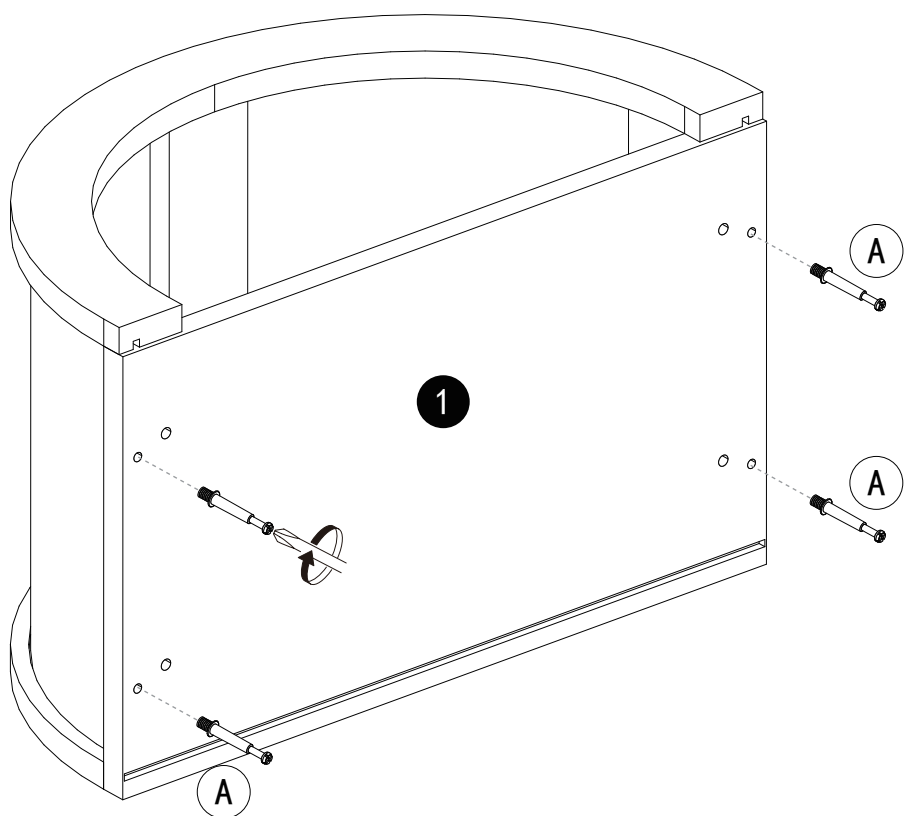
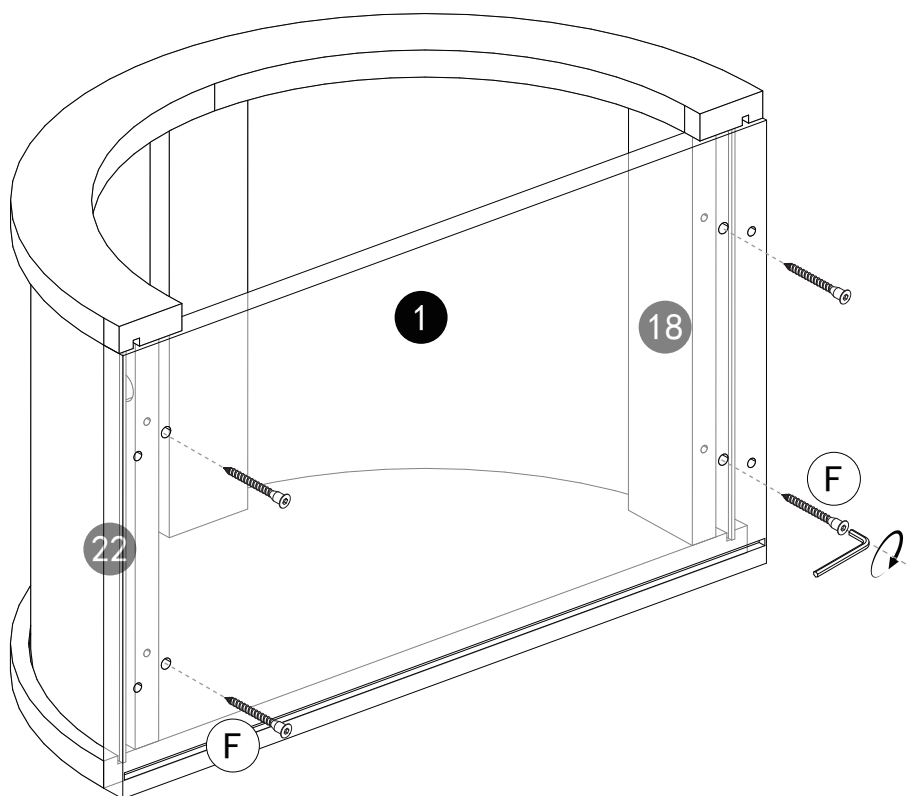
STEP 14



STEP 15

YOU WILL NEED

A		x4	F		x4				
---	---	----	---	---	----	--	--	--	--



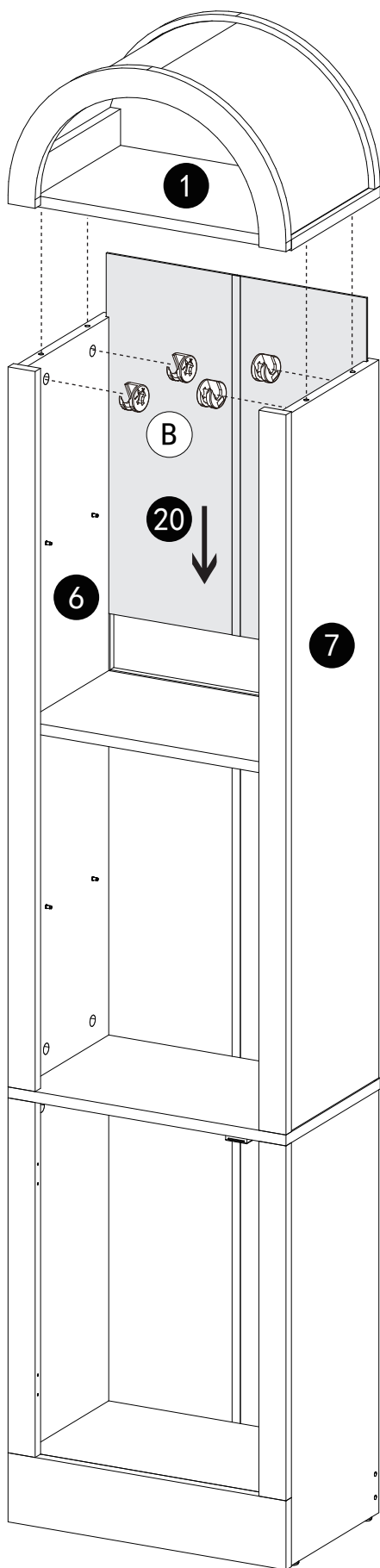
STEP 16

YOU WILL NEED

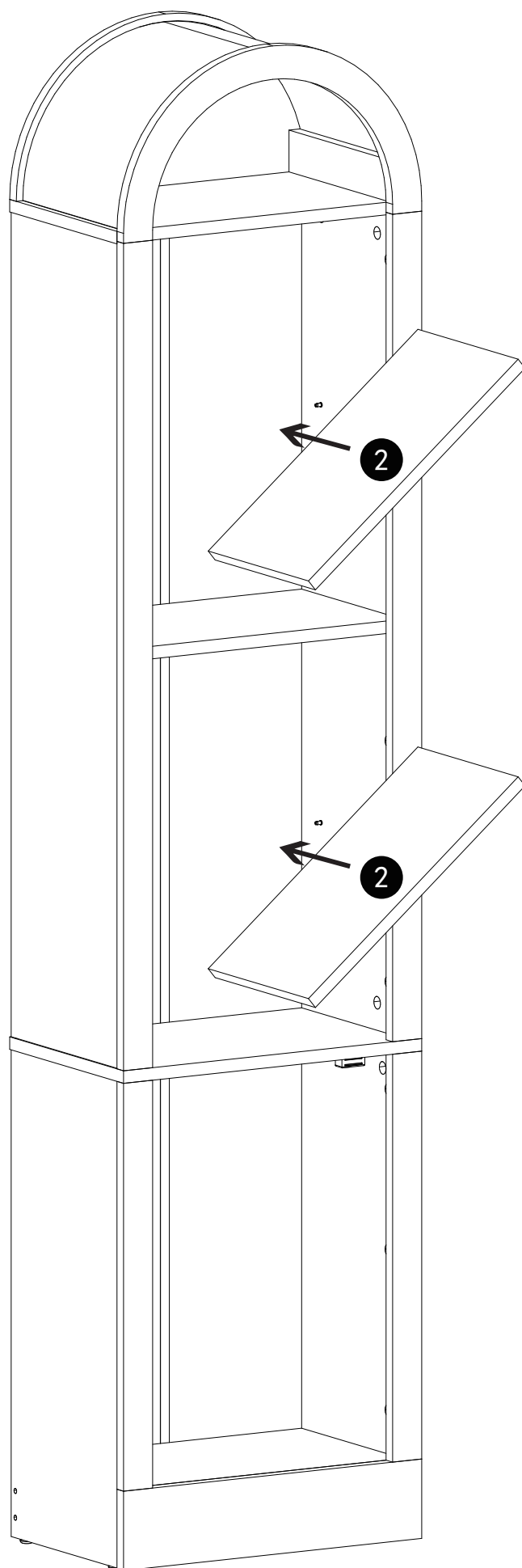
B



x4



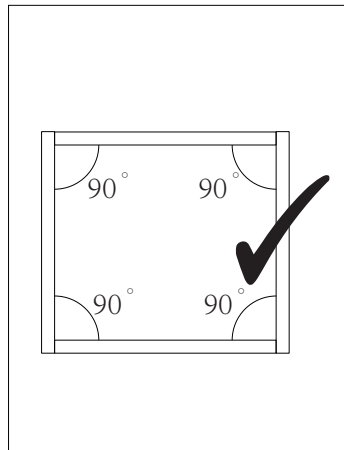
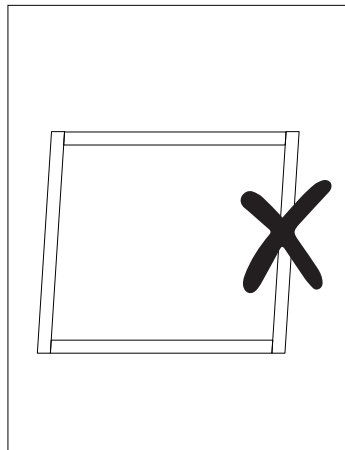
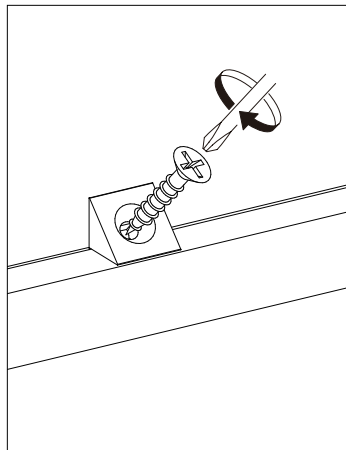
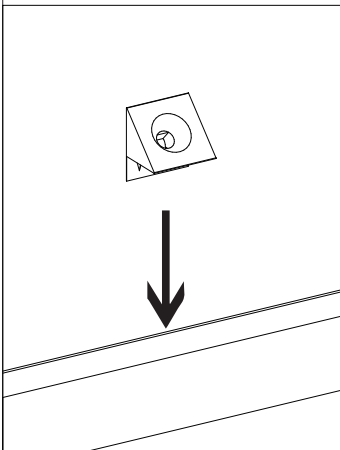
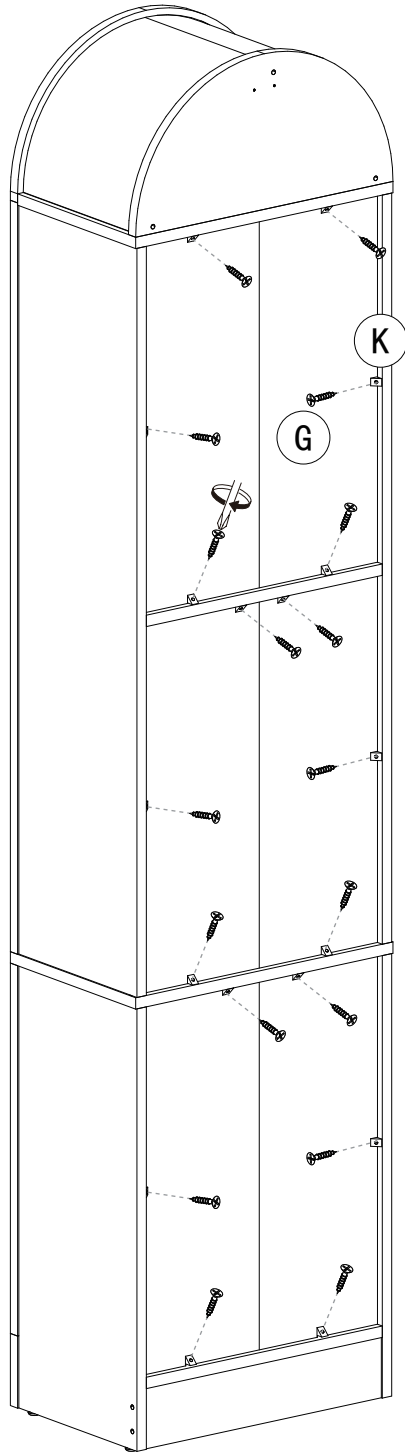
STEP 17



STEP 18


YOU WILL NEED

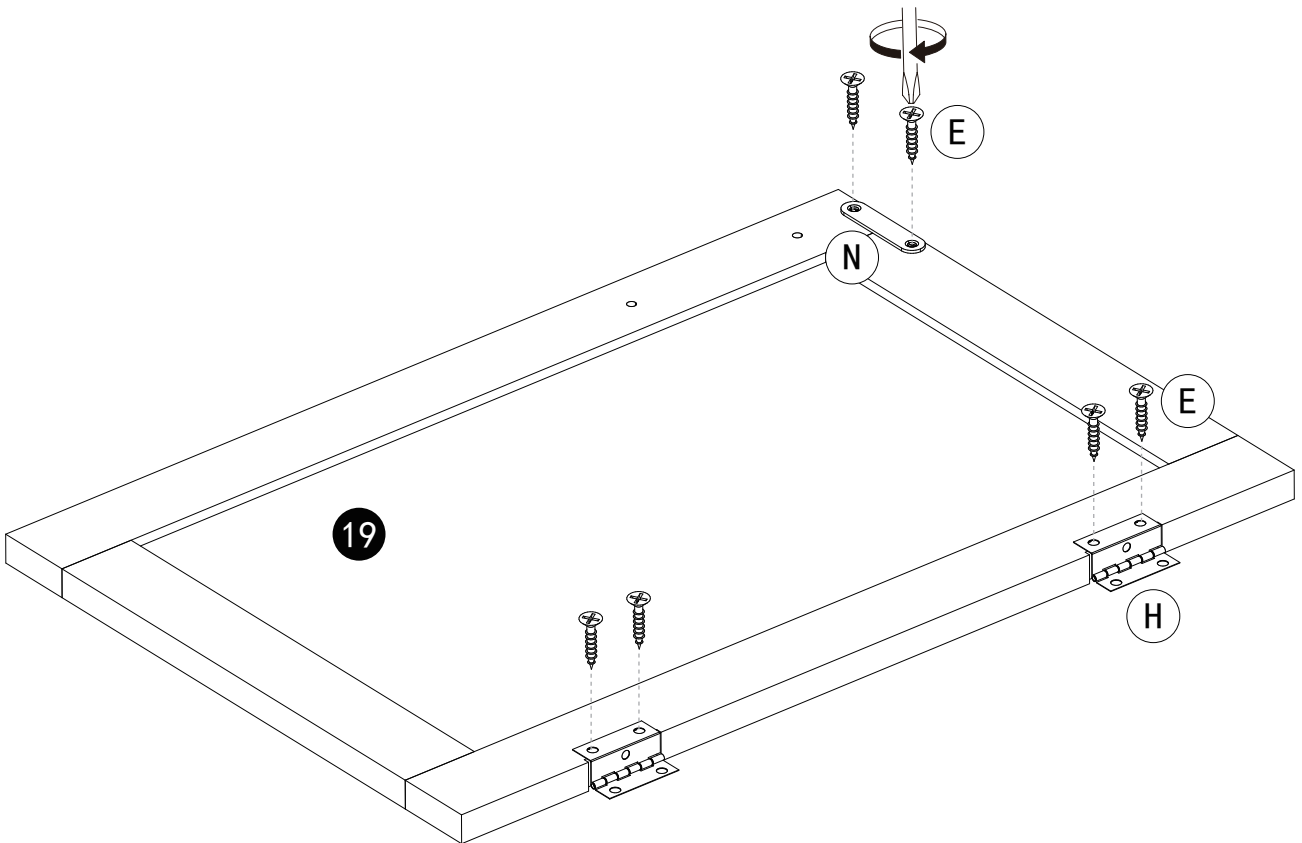
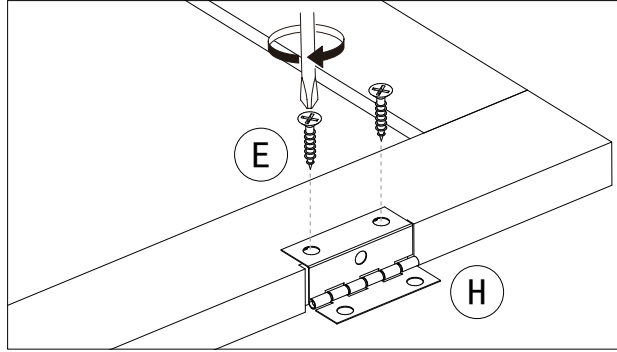
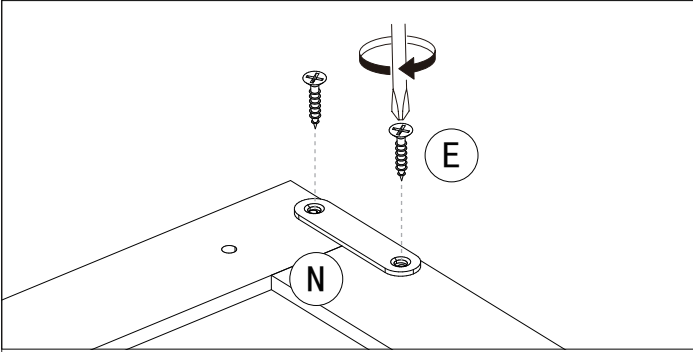
K		x18	G		x18
---	---	-----	---	---	-----



STEP 19

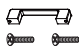
YOU WILL NEED

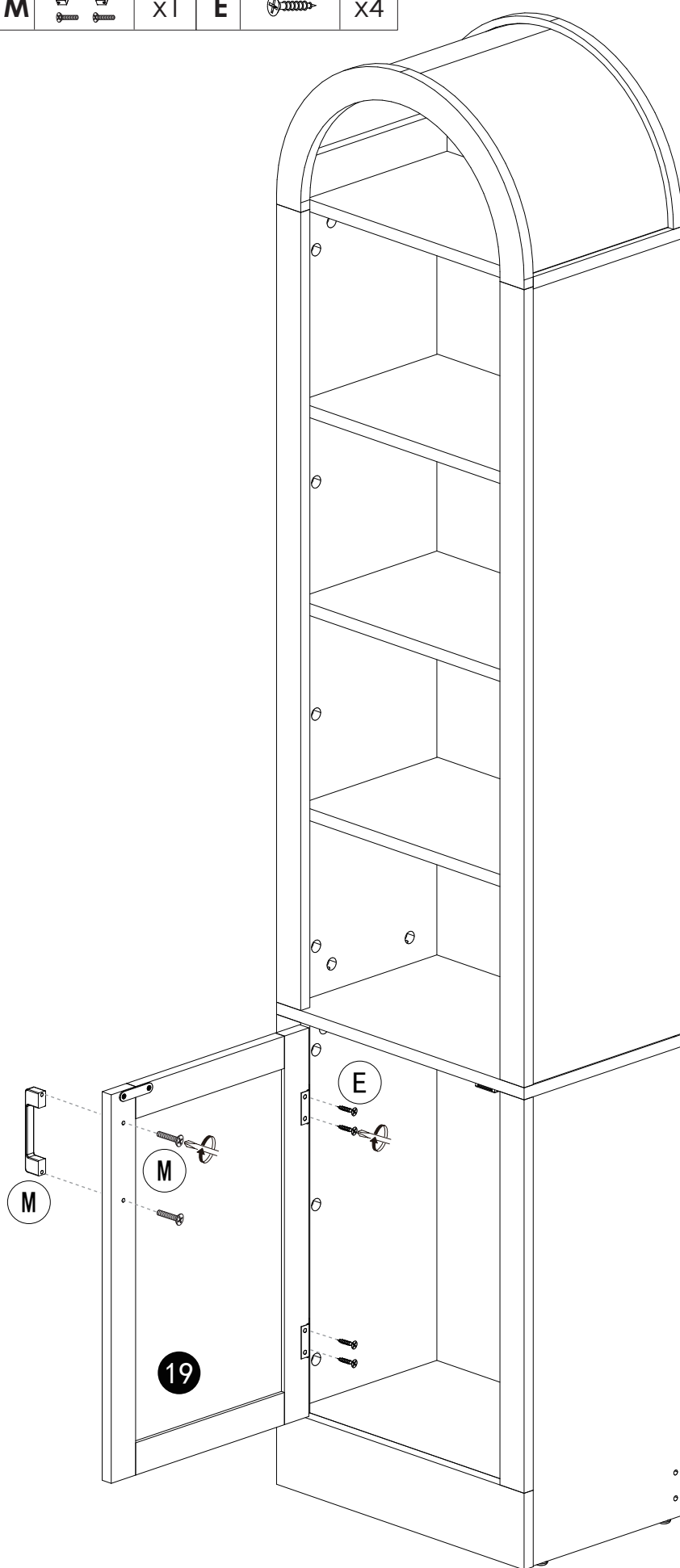
E		x6	H		x2	N	
---	---	----	---	---	----	---	---



STEP 20

YOU WILL NEED

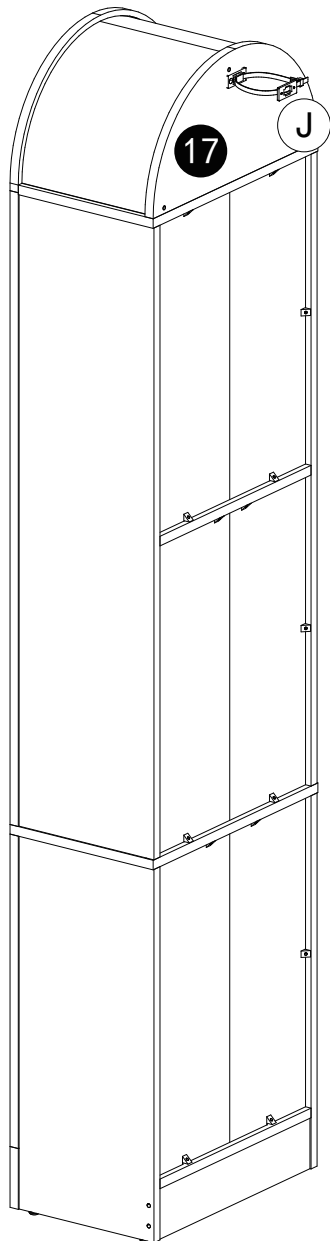
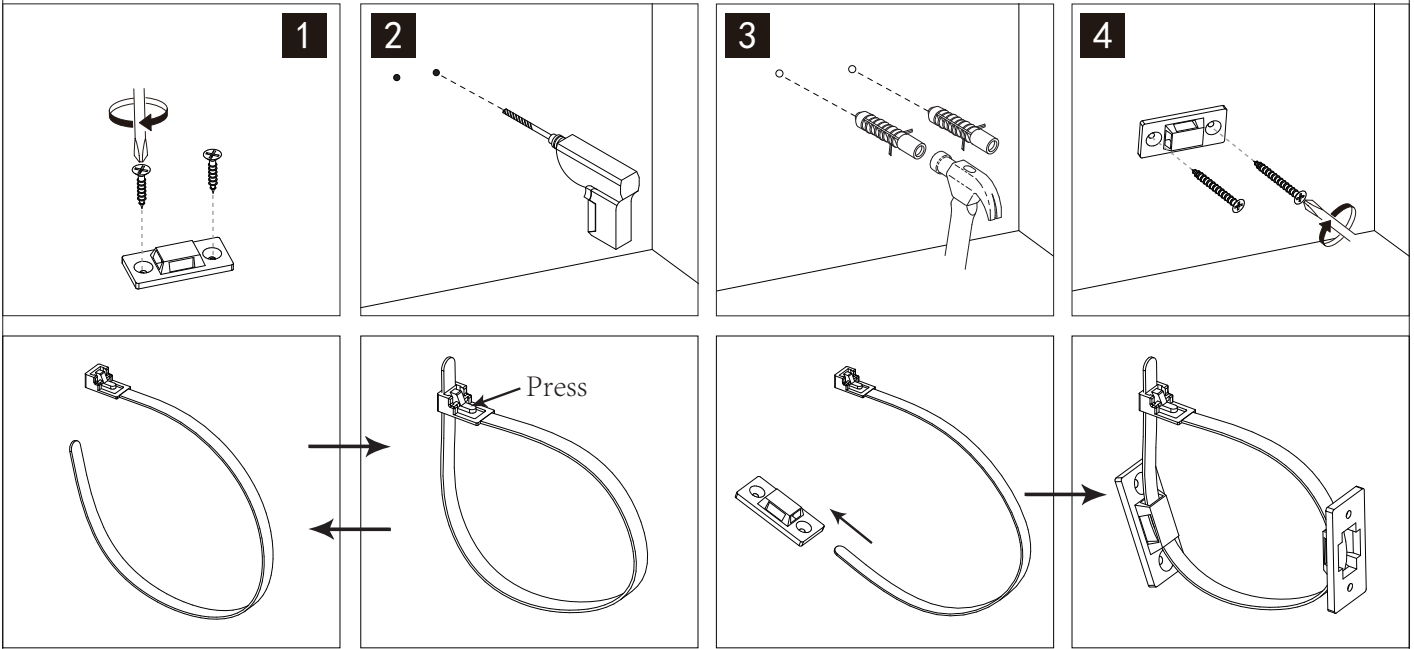
M		x1	E		x4
---	---	----	---	---	----



STEP 21

YOU WILL NEED

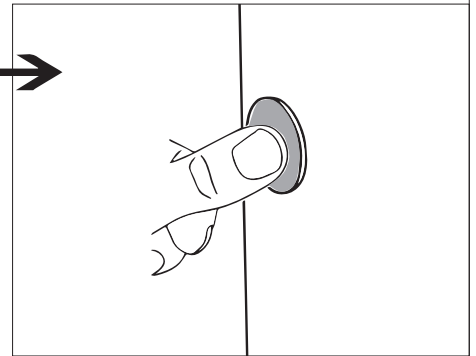
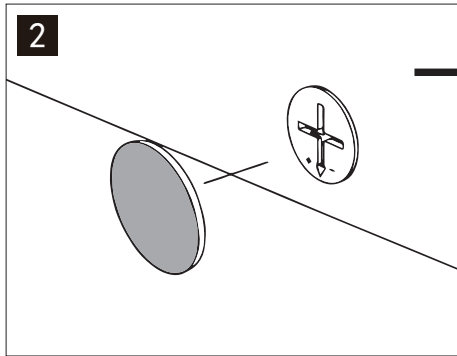
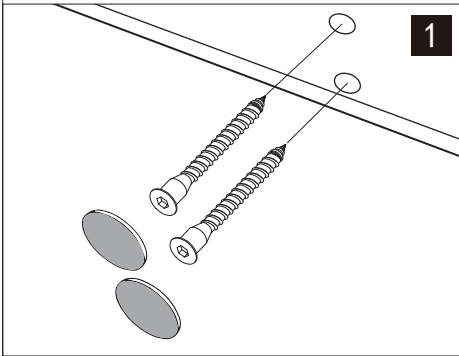
J    x1



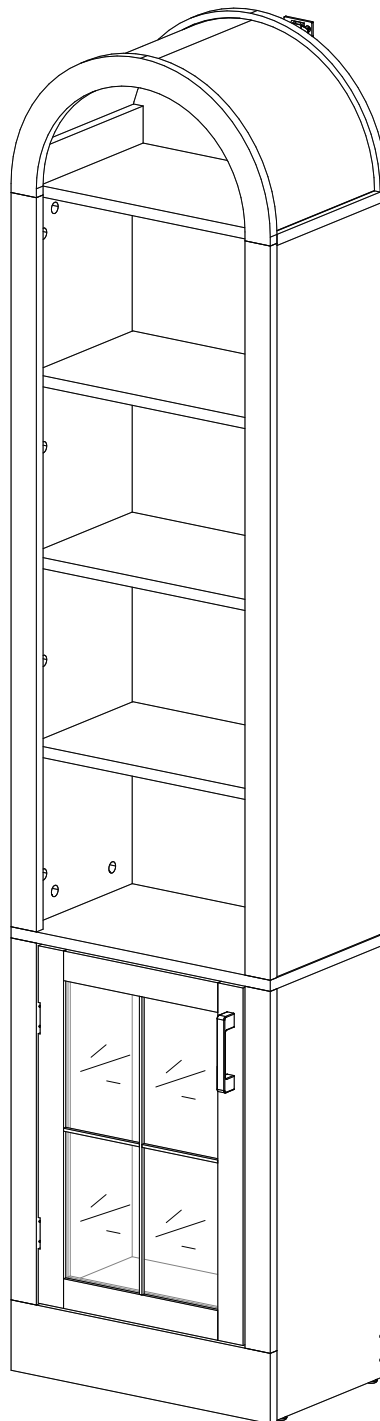
1. Install the plastic component onto board **17** using self-tapping screws.
2. Drill holes at appropriate wall locations and insert expansion anchors.
3. Secure the plastic component to wall expansion anchors using threaded rods.
4. Connect the cabinet body to the wall with cable ties.

STEP 22**YOU WILL NEED****L**

x33



Add L fittings to all exposed holes on the front of the product



Warning:

Seller is responsible for the product-related issues occurred upon receipt, but will not be responsible for the personal injury, property damage or loss resulting from the incorrect assembly, improper use, inadequate maintenance or neglect of this product.