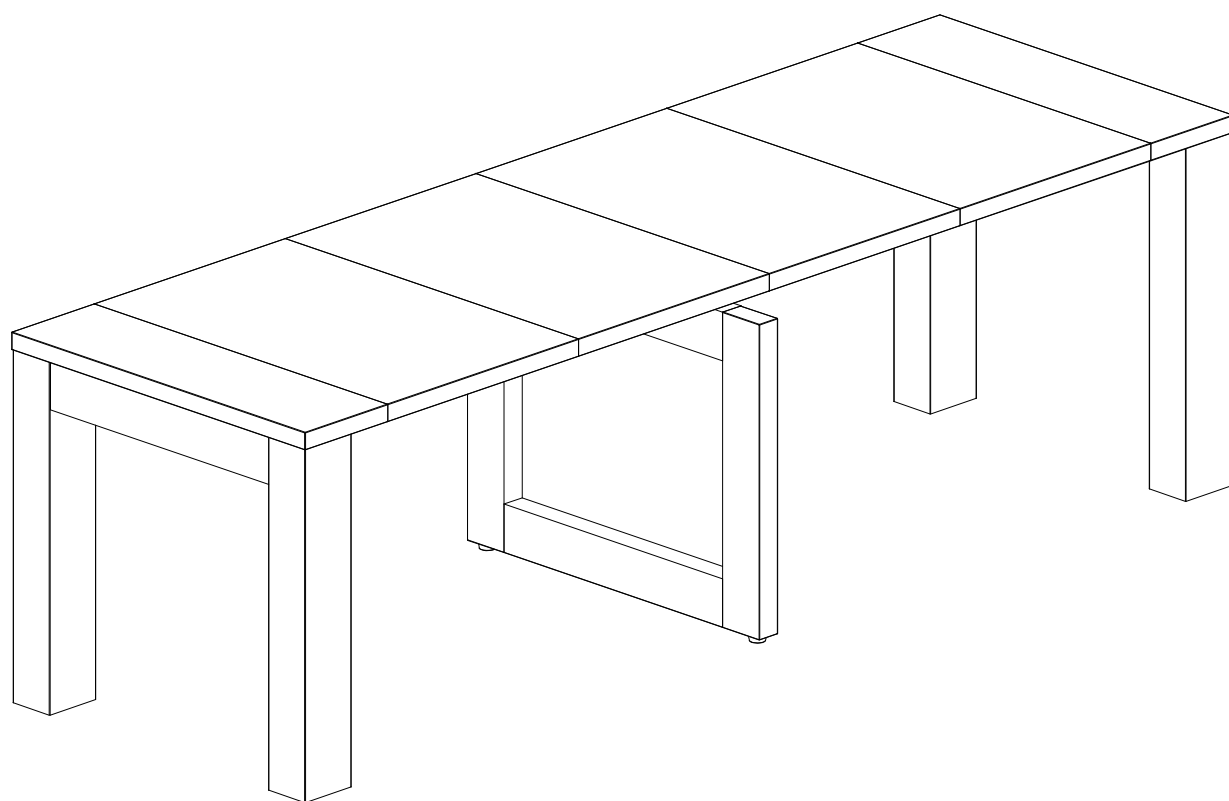
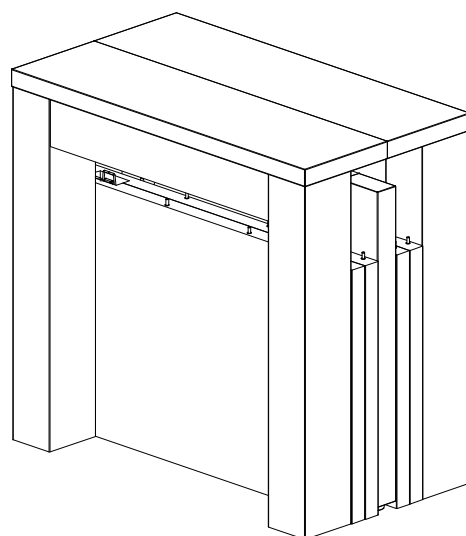
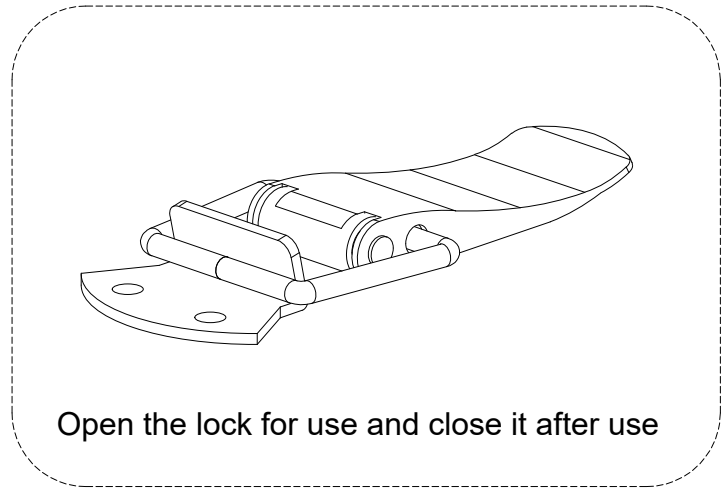
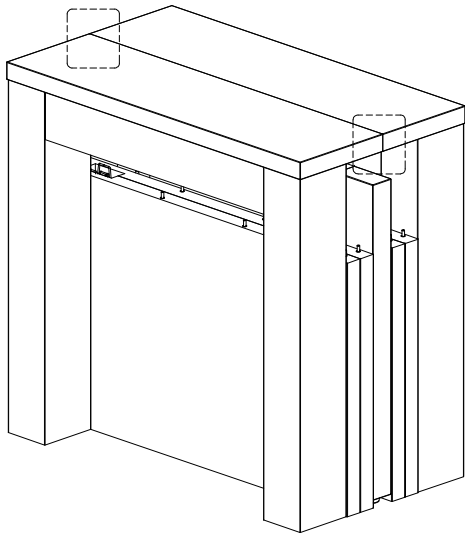


Dining table



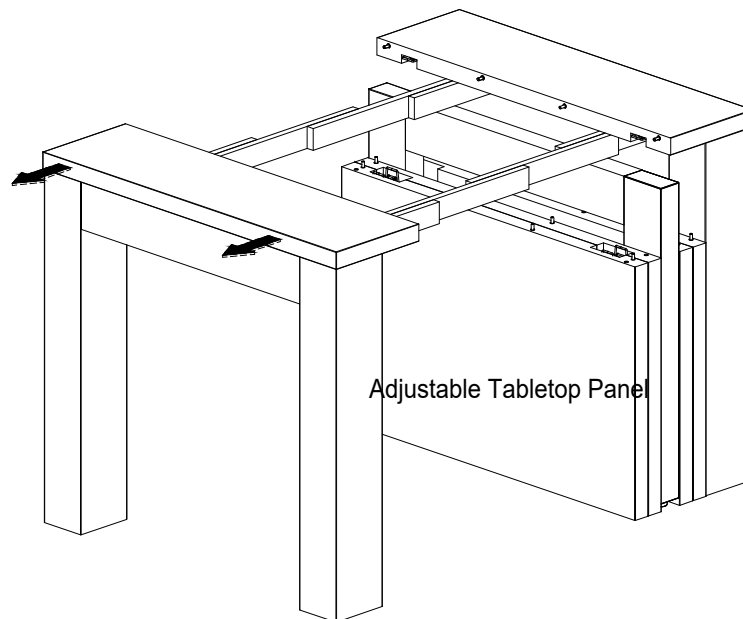
Specification Name: Dining Table

Step 1



►As shown in the figure: Open the latches that fasten the reverse side of the tabletop.

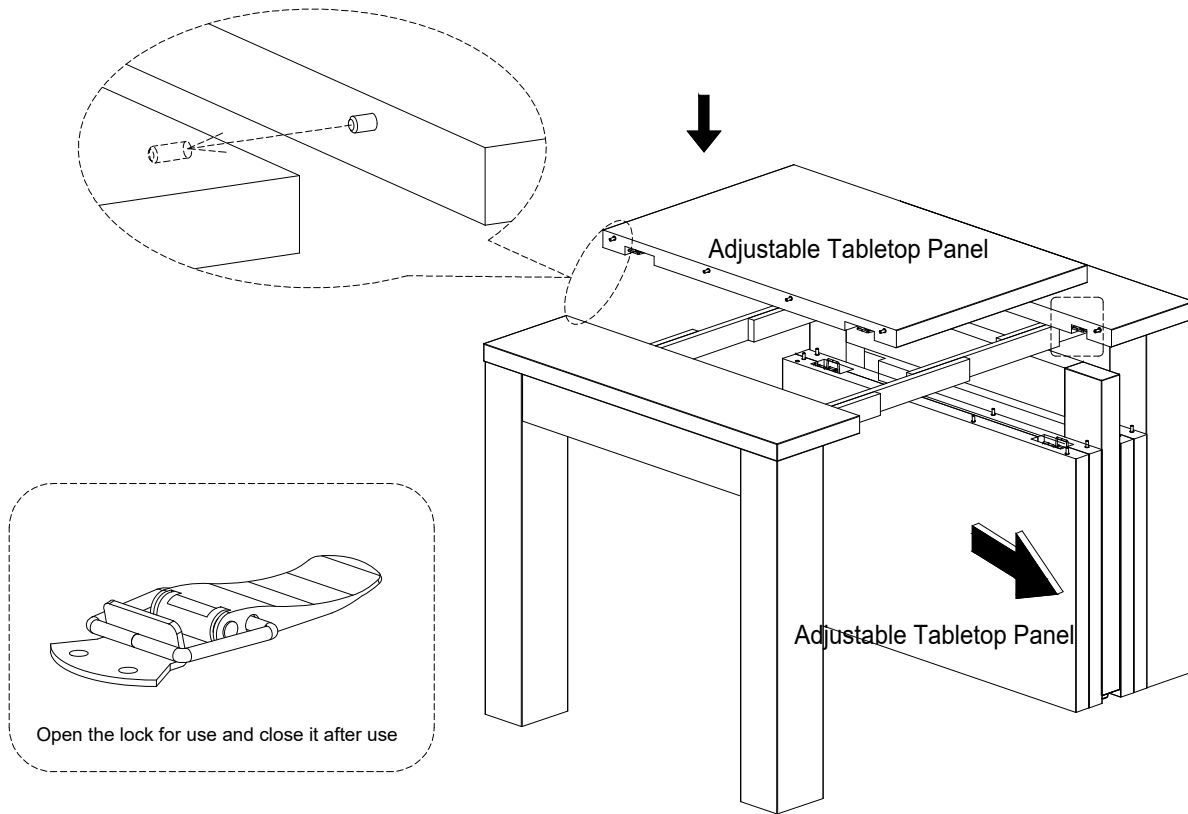
Step 2



►As shown in the figure: Pull the tabletop apart.

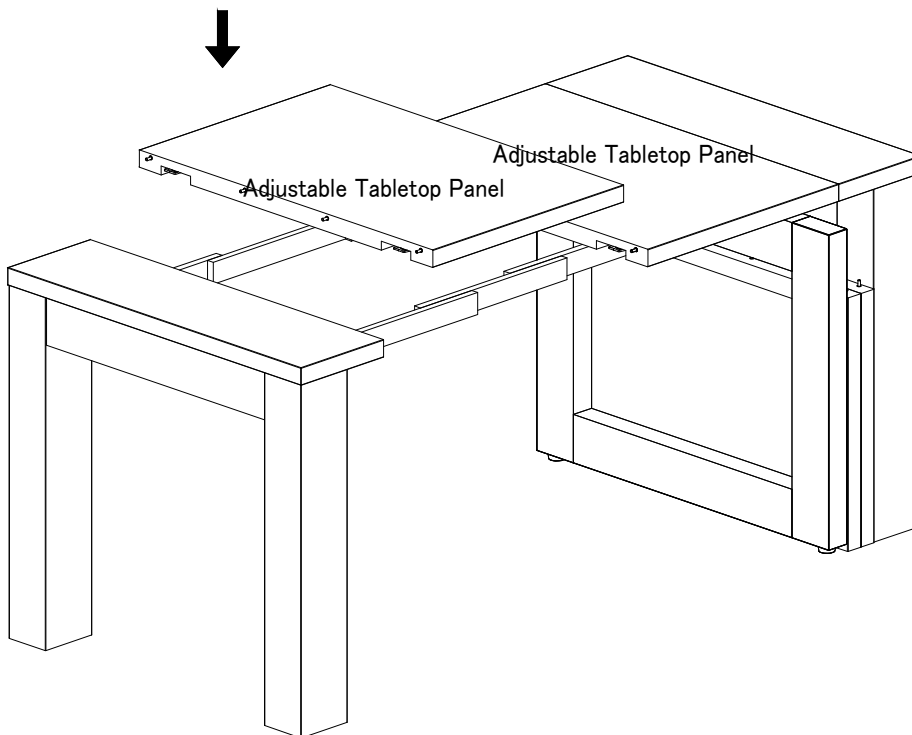
Specification Name: Dining Table

Step 3



►As shown in the figure: Take out the removable tabletop panel, place it as illustrated. Ensure the hardware fittings at both ends are aligned, then fasten the latches tightly.

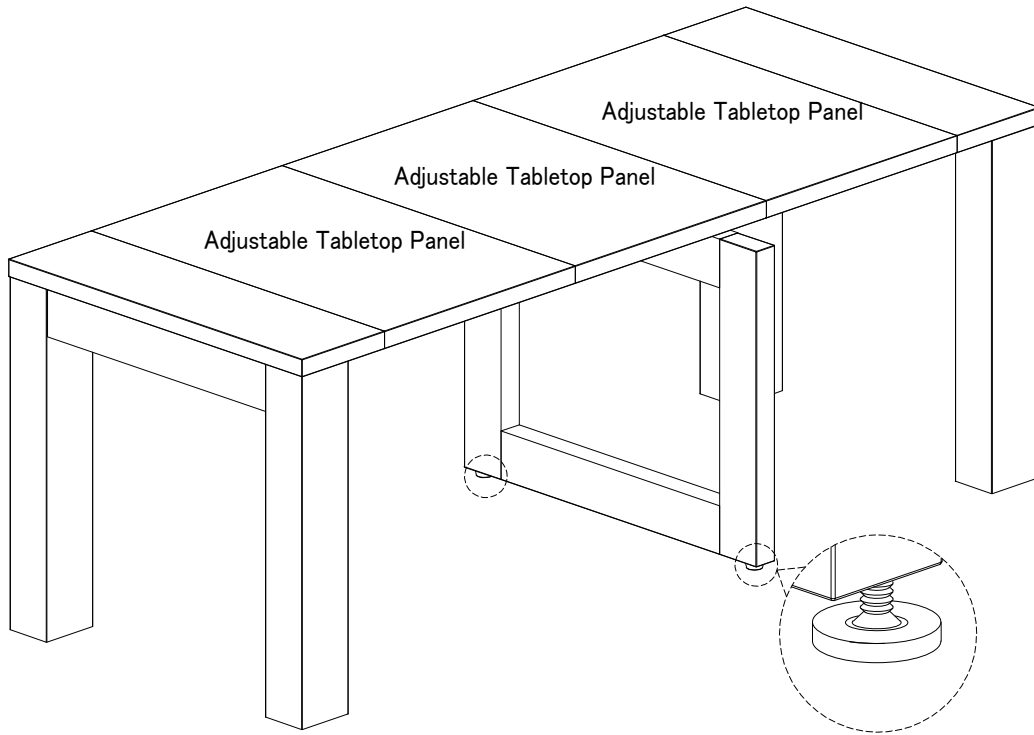
Step 4



►As shown in the figure: Repeat Step 1/Step 2/Step 3 to install the 2nd, 3rd, and 4th removable tabletop panels.

Specification Name: Dining Table

Step 5



►As shown in the figure: Adjust the adjustable feet at the bottom to level the tabletop.

Step 6

