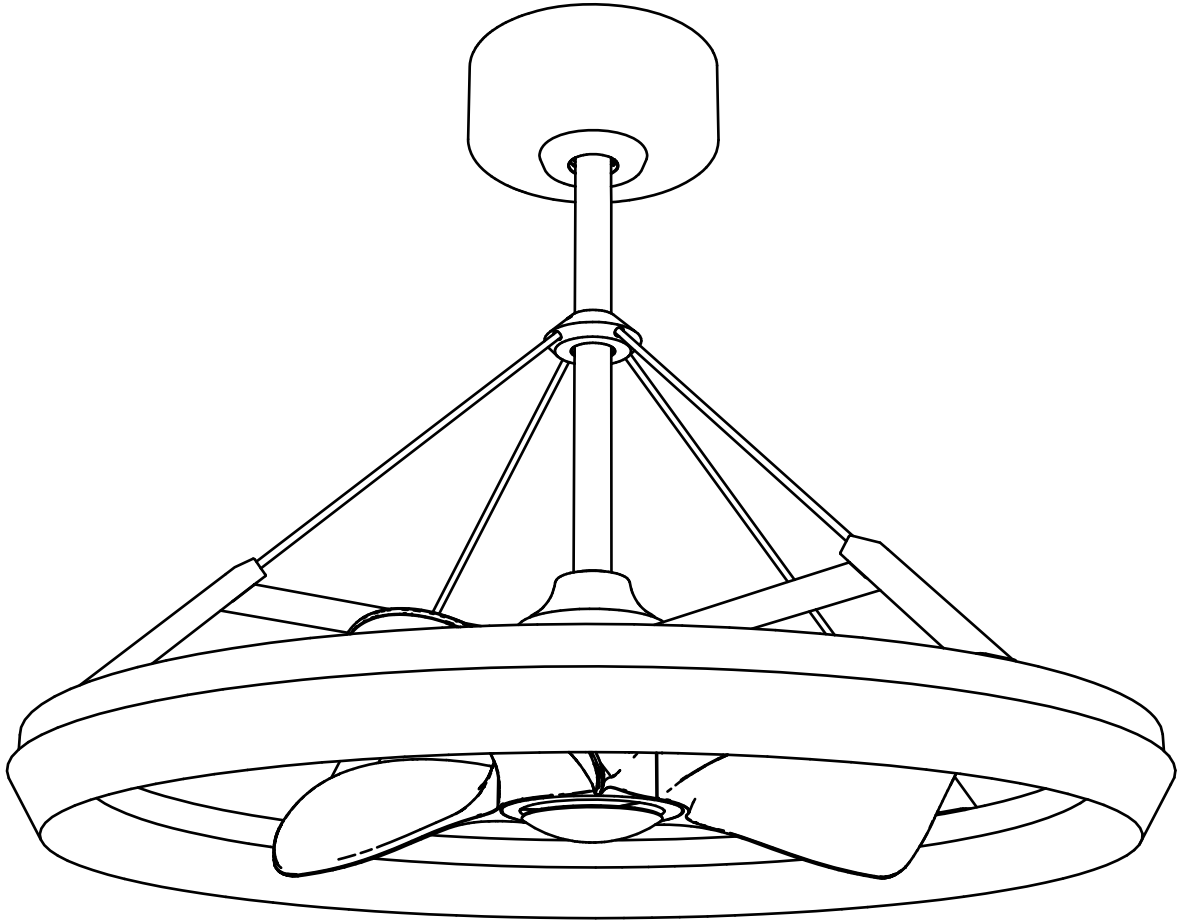


Owner Manual



SAFETY TIP

To avoid possible electric shock, turn off the electricity at the main fuse box or circuit panel before you begin the fan installation or before servicing the fan or installing accessories.

Read all instructions and safety information carefully before installing your fan and save these instructions.

Make sure all electrical connections comply with local codes or ordinances and the National Electrical Code. If you are unfamiliar with electric wiring, please use a qualified and licensed electrician.

Make sure you have a location selected for your fan that allow clear space for the blades to rotate, and at least seven (7) feet of clearance between the floor and the fan blade tips. The fan should be mounted at least thirty (30) inches from walls or other upright structures.

WARNING: The outlet box and ceiling support joist used must be securely mounted, and capable of supporting at least 100 pounds. To reduce the risk of fire, electric shock or personal injury, mount to the outlet box marked acceptable for fan supported and use mounting screws provided with the outlet box. The box must be supported directly by the building structure.

WARNING: To reduce the risk of fire, electric shock or personal injury, mount to outlet box marked "acceptable for fan support" and use mounting screws provided with the outlet box. Most outlet boxes commonly used for the support of lighting fixtures are not acceptable for fan support and may need to be replaced. Consult a qualified electrician if in doubt.

Electrical diagrams are for reference only. Light kits that are not packed with the fan must be UL listed and marked suitable for use with the model fan you are installing. Switches must be UL general use switches. Refer to the instructions packaged with the light kits and switches for proper assembly.

After installation is complete, check that all connections are absolutely secure.

After making electrical connections, spliced conductors should be tucked upward and pushed carefully into outlet box. The wires should be spread apart with the grounded conductor and the equipment-grounding conductor on one side of the outlet box.

WARNING: To reduce the risk of electrical shock and fire, do not use this fan with any solid-state fan speed control device, or rheostat.

Do not separate the reverse switch until the fan has come to a complete stop.

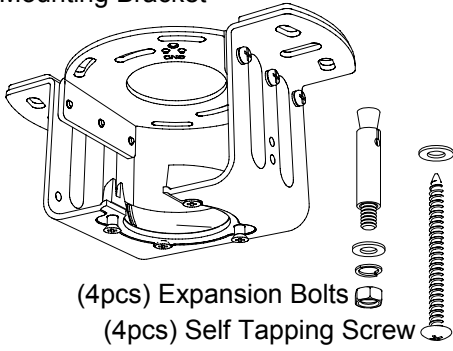
Do not insert anything into the fan blades while they are rotating.

WARNING: To reduce the risk of personal injury, do not bend the blade brackets (also referred to as "anges") during assembly or after installation. Do not insert objects in the path of the blades.

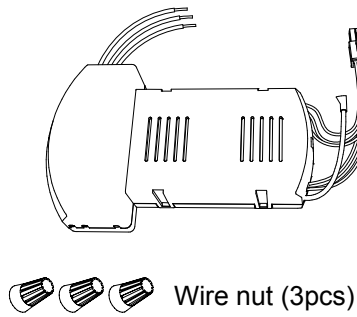
To avoid personal injury or damage to the fan and other items, be cautious when working around or cleaning the fan.

Do not use water or detergent when cleaning the fan or fan blades. A dry dust cloth or lightly dampened cloth will be suitable for most cleaning.

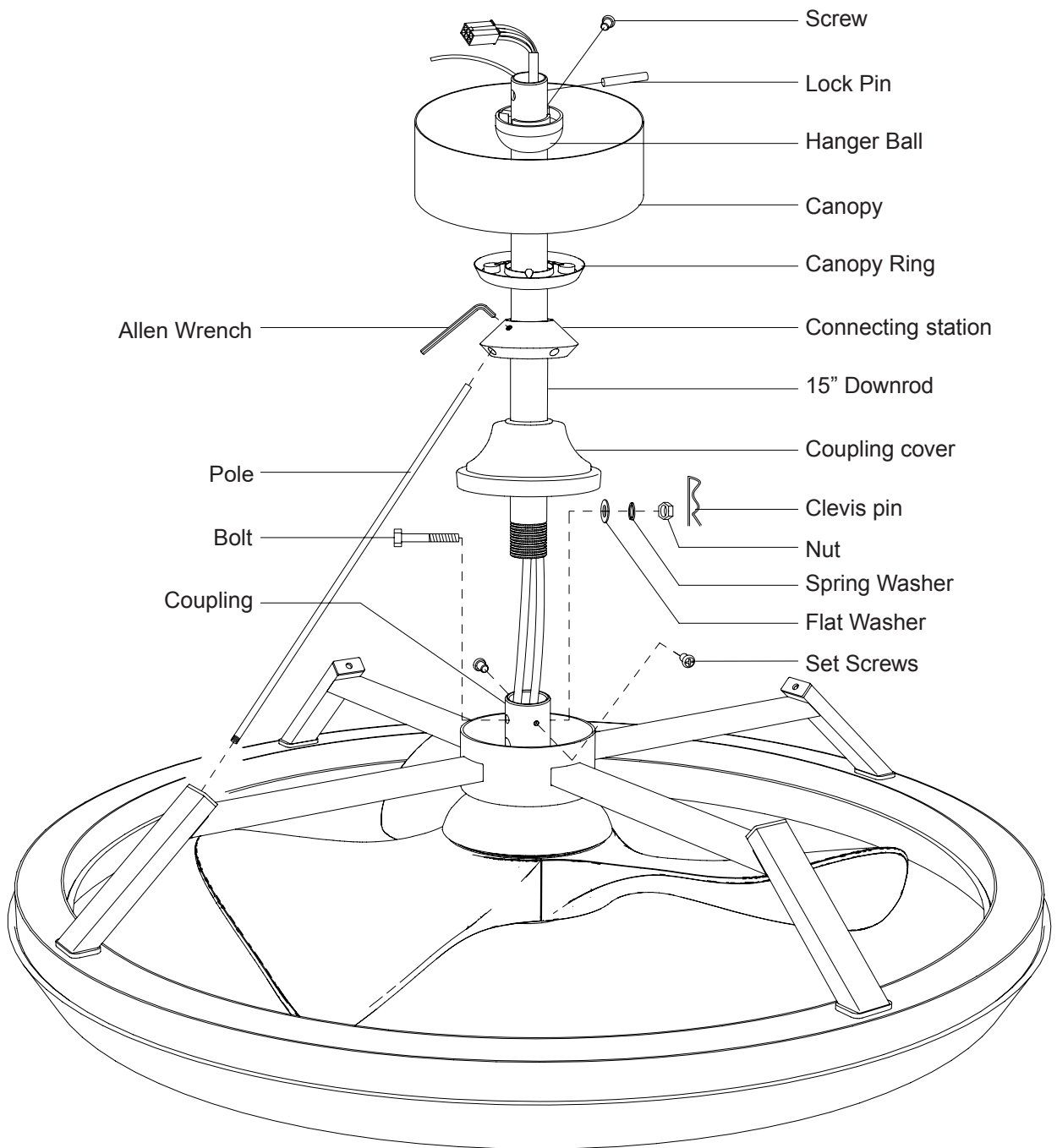
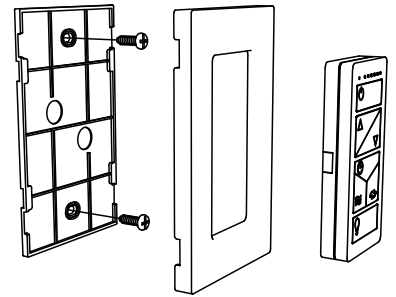
Mounting Bracket



Controller



Remote



Basic Product Parameters

| | | | |
|------------------------|---------|----------------------------------|-----------|
| Fan Blade Span | 22" | Rated Wattage | 30W |
| Maximum Airflow | 2600CFM | RPM | 88-330rpm |
| Maximum Noise | 55db(A) | Number of rotating blades | 3 blades |

Care And Clean

1. Check the support connections, brackets, and airfoil attachments twice a year. Make sure they are secure. Because of the fan's natural movement, some connections may become loose over time it is not necessary to remove the fan from the ceiling.
2. Clean your fan periodically. Use only a soft brush or lint-free cloth to avoid scratching the finish. The plating is sealed with a lacquer to minimize discoloration or tarnishing.
3. (Optional) Apply a light coat of furniture polish to the wood blades.
4. (Optional) Cover small scratches with a light application of shoe polish.

Do Not:

1. Use water when cleaning. Water could damage the motor, or the wood, or possibly cause an electrical shock.
2. Apply oil to your fan or motor, The motor has permanently lubricated sealed ball bearings. Note: Power off the fan before product maintenance or cleaning the fan.

Note: Power off the fan before product maintenance or cleaning the fan.

FCC Statement

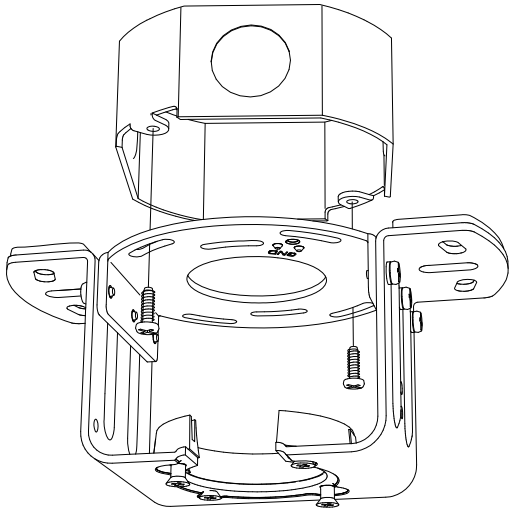
NOTE: This equipment has been tested and found to comply with the limits for a Class B digital device pursuant to part 15 of the FCC Rules. These limits are designed to provide reasonable protection against harmful interference in a residential installation. This equipment generates, uses, and can radiate radio frequency energy and, if not installed and used in accordance with the instructions, may cause harmful interference to radio communications. However, there is no guarantee that interference will not occur in a particular installation. If this equipment does cause harmful interference to radio or television reception, which can be determined by turning the equipment off and on, the user is encouraged to try to correct the interference by one or more of the following measures:

- Reorient or relocate the receiving antenna.
- increase the separation between the equipment and receiver.
- Connect the equipment into an outlet on a circuit different from that to which the receiver is connected. Consult the dealer or an experienced radio/TV technician for help.

WARNING: Changes or modifications to this unit not expressly approved by the party responsible for compliance could void the user's authority to operate the equipment.

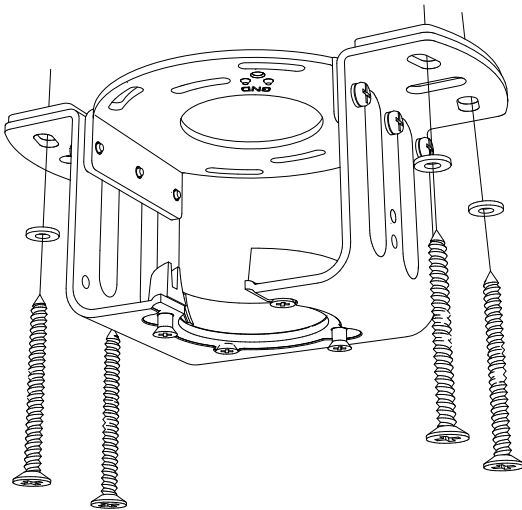
ASSEMBLY INSTRUCTION

1



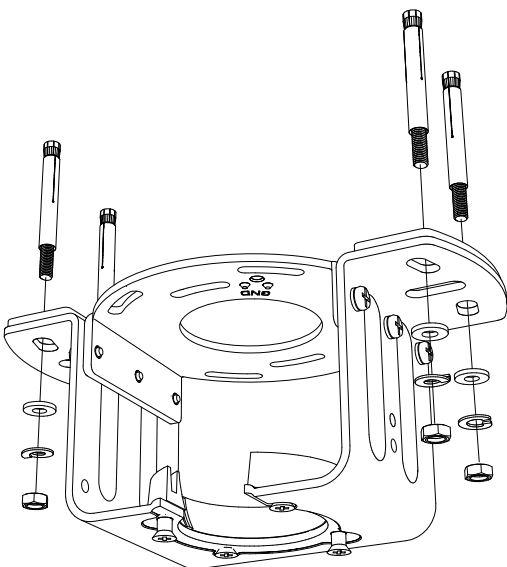
OUTLET BOX

Install the mounting bracket onto Outlet Box marked (acceptable for fan support of 15.9 kg(35 lbs) or less) with Mounting Screws.



WOODEN CEILING

Use the Mounting Bracket as a guide, drill 4 holes for 3MM diameter, install the mounting bracket onto wooden ceiling with the 4 Self Tapping Screws & Washers.

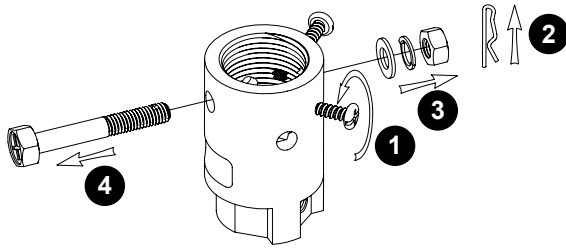


CONCRETE CEILING

Use the Mounting Bracket as a guide, drill 4 holes and insert 4 Expansion Bolts into the concrete ceiling, install the mounting bracket and secure with Flat Washers, Spring Washers and Nuts.

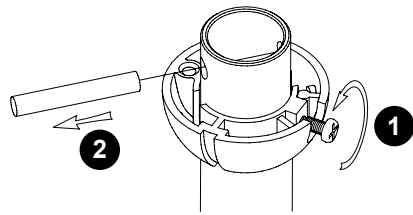
ASSEMBLY INSTRUCTION

2



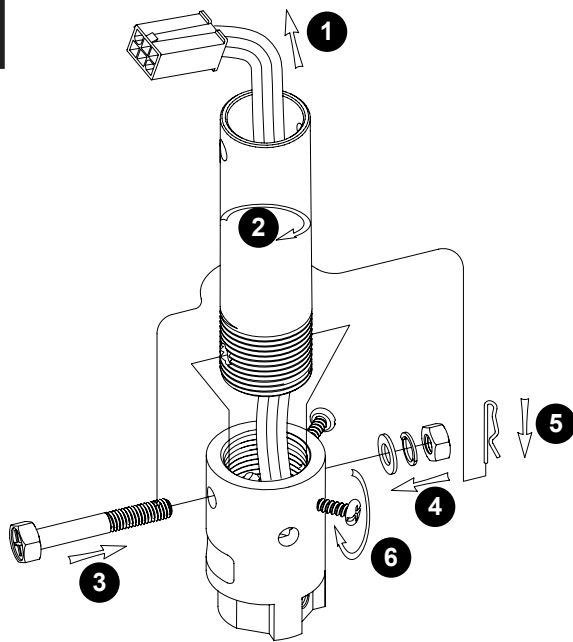
Loosen the Screws and Remove the Clevis Pin, Nut, Spring Washers, Flat Washers & Bolt on Coupling.

3



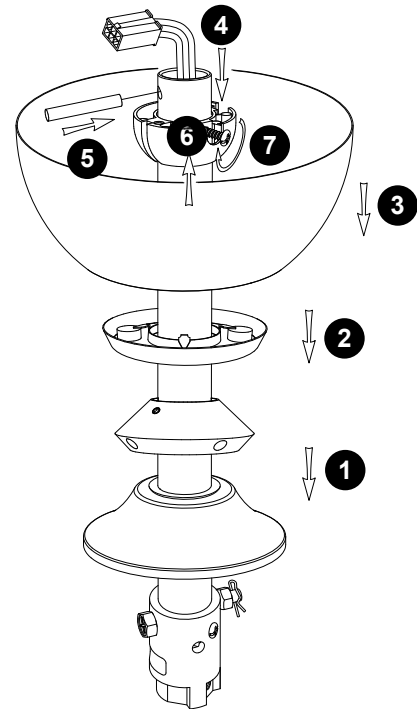
Loosen the Screw from Hanger Ball, remove the Hanger Ball and Lock Pin.

4



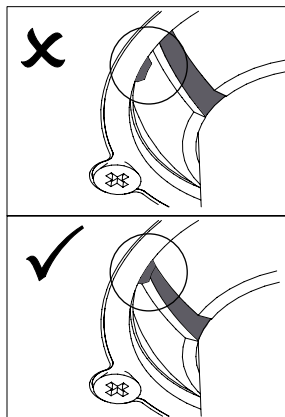
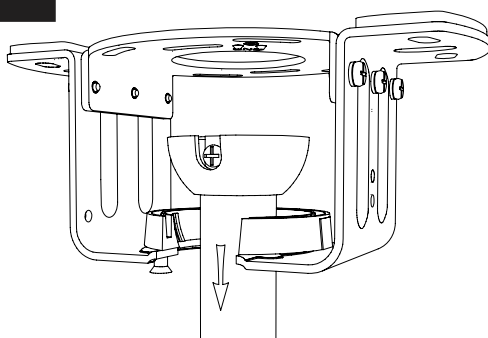
Route the wires and safety wire from the motor through the Downrod. Install the Downrod to Coupling and secure with Bolt, Flat Washer, Spring Washer, Nut & Clevis pin. Tighten the 2 Set Screws on the Coupling.

5



Route the Coupling cover (Connecting station), Canopy Ring, Canopy and Hanger Ball through the Downrod in turn, and then install the Lock pin through the hole on the Downrod. Slip the hanger ball upward to lock Pin, and fix it by Screw, then slip down the Coupling Cover in correct position.

6

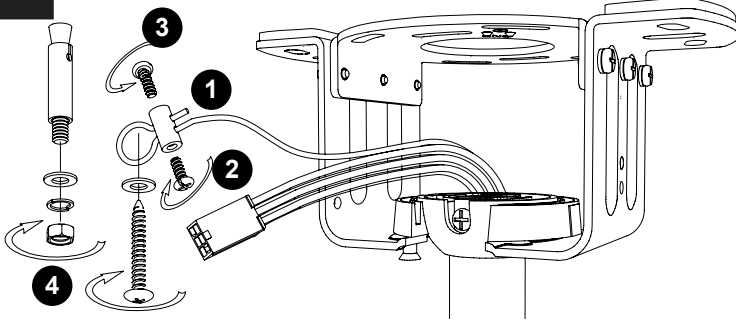


Raise the fan and place the hanger ball onto mounting bracket. Rotate the fan until the notch on hanger ball snapped into the slot on mounting bracket and sits firmly.

! IMPORTANT : THE DOWNROD AND HANGER BALL SHOULD NOT ROTATE IF THIS STEP IS DONE CORRECTLY.

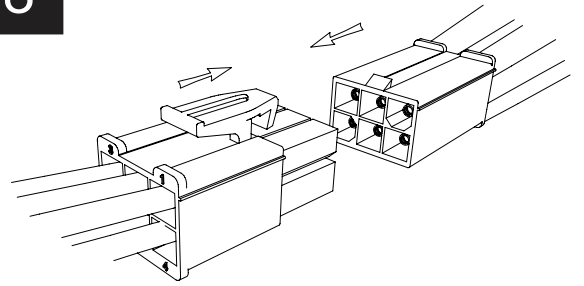
ASSEMBLY INSTRUCTION

7



Tighten the safety wire clamp. Place ring of safety wire through the expansion bolt or self tapping screw and fix it to the building structure.

8

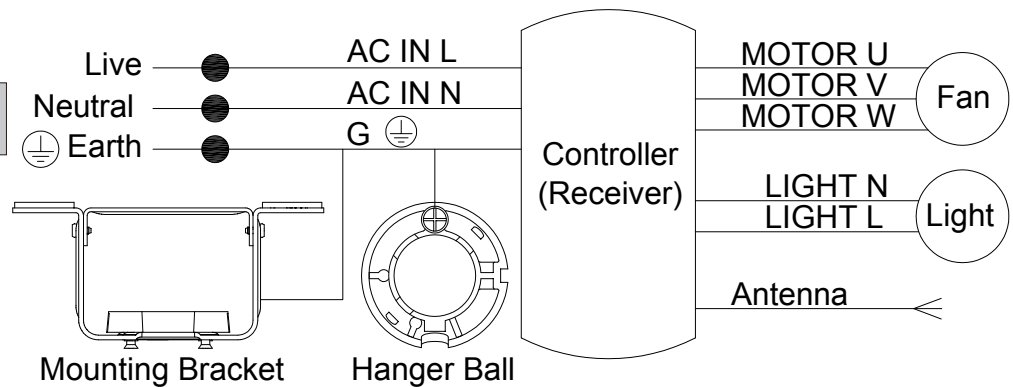


Connect the wire connector plugs correctly. The wire connector plugs design with fool proof device, please don't force to plug. Otherwise it may affect the normal use of the light fan or burn the fan motor.

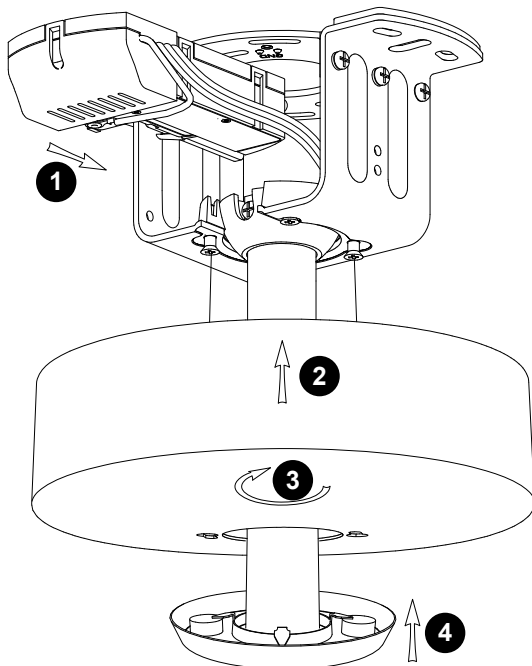
9

FROM POWER SOURCE
AC 110-120VOLT 60Hz 3.5AMPS.

Connect wires from controller to power supply with wire connectors.

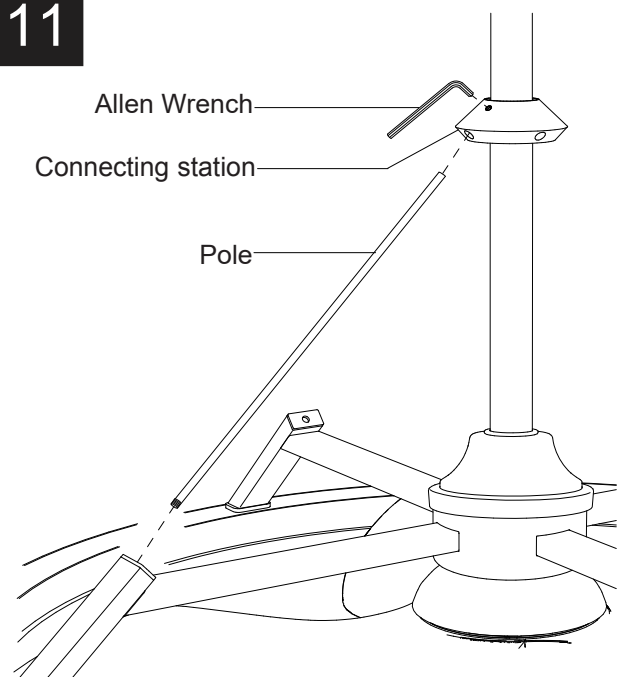


10



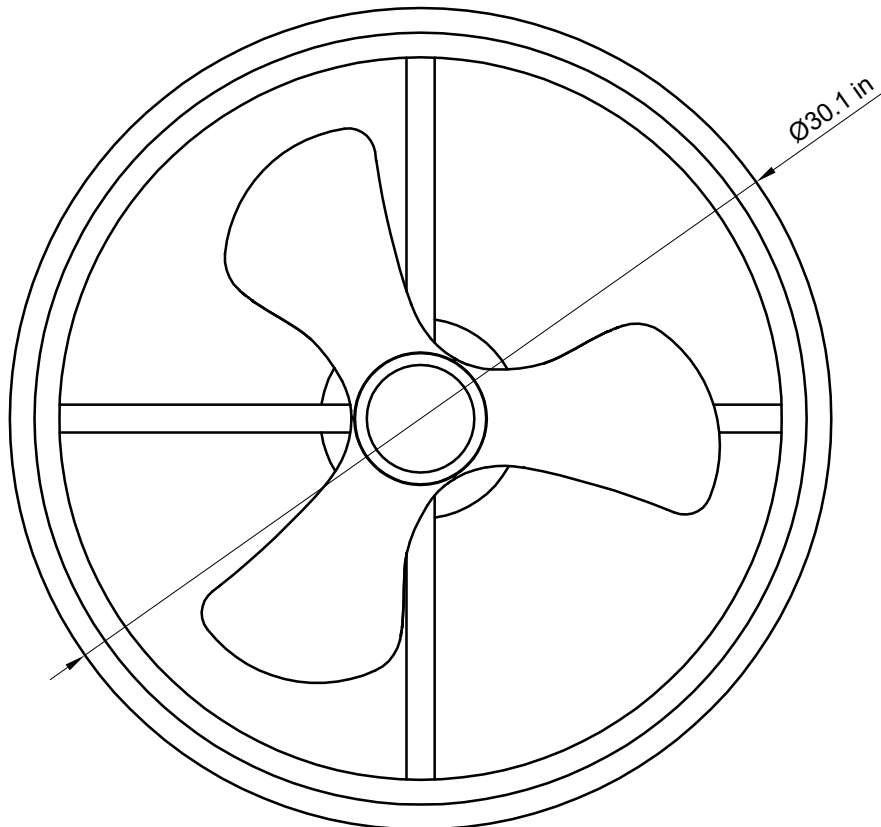
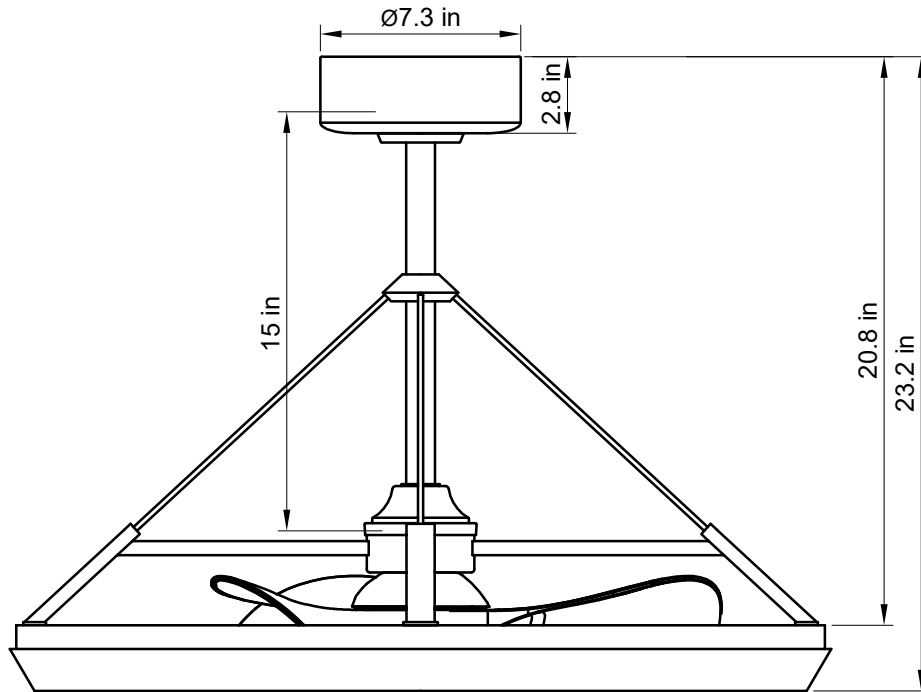
Insert the controller into the mounting bracket, and tidy up the wiring. Push the canopy to the mounting bracket, make two sliding holes aligned to the two prominent screws on the mounting bracket, and then turn clockwise until tight. Push the canopy ring to the canopy.

11



Screw the pole into the square tube, slide the connecting station upwards, insert the pole into the hole of the connecting station, and fix the connecting station with allen wrench.

FAN DIAMETER EFFECT

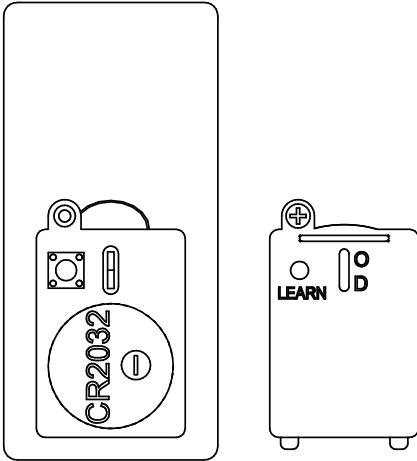


OPERATING YOUR FAN

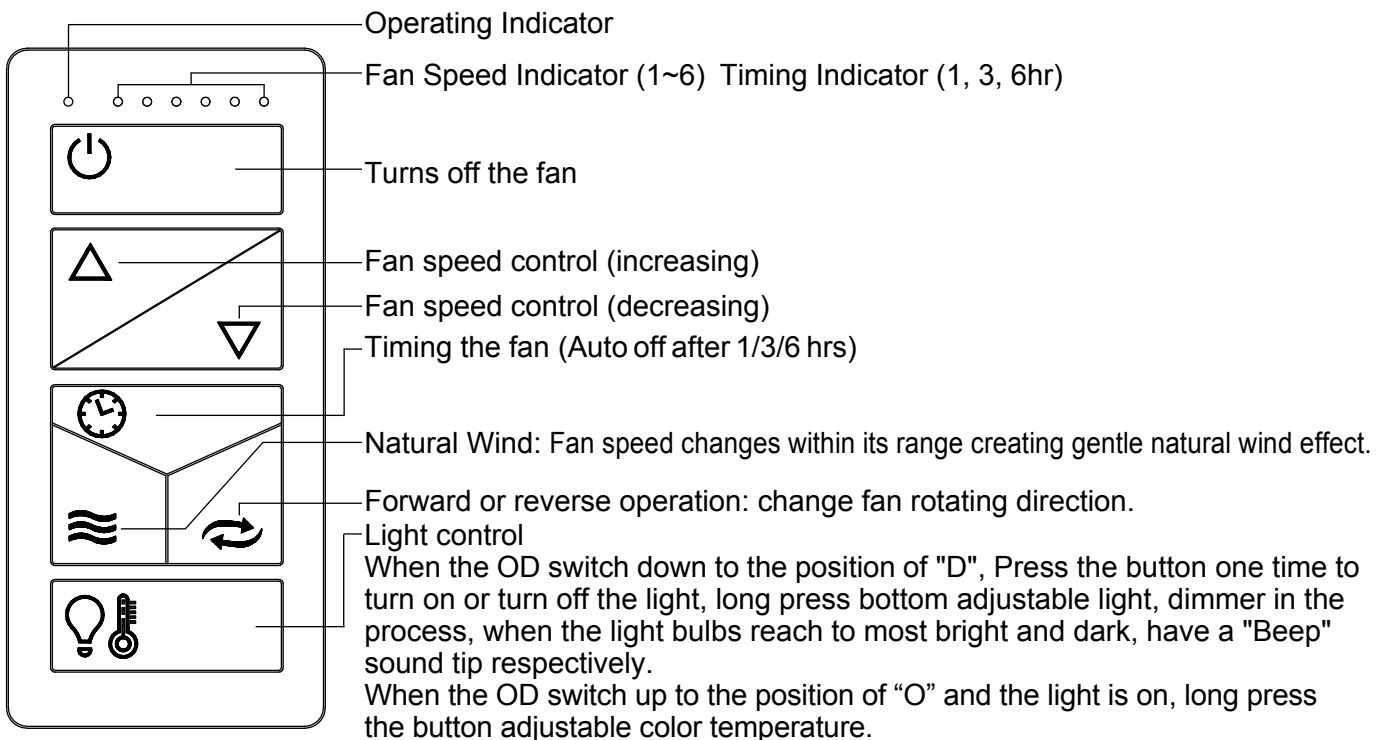
Turn on the power and check the fan's operation.

The appropriate speed settings of warm or cool weather depend on many factors such as the room size, ceiling height, and fans' number.

REMOTE CONTROL SETTING AND OPERATION



- 1) The battery is pre-installed and can be used by removing the insulation paper. Open the REMOTE battery cover and install DC3V battery (Model: CR2032) when replacing the battery.
- 2) Turn on the power of the light fan.
- 3) Within 30 sec after the "Beep", press and hold the LEARN button for 3 sec. (Don't press any other buttons.) Once the receiver has detected and learned the frequency, the receiver will "Beep" twice mean while the light will bright out twice.
- 4) Programming/self-learning process is completed and REMOTE is ready to use.
- 5) Dial up to position "D", the brightness of the light can be control low or high. NOTE: This option is not applicable for non-dimming products.



Memory Function: if the power supply of the product is disconnected during use, and the power supply is switched on again, the fan will continue to operate according to the state before power off, and the light will be turned on by default.

ATTENTION

- 1) After completing the steps above, you should be able to operate the fan and light. If the fan and light are not responding to the REMOTE, please turn the power off to the light fan and repeat step 2 and 3.
- 2) When not used for extended periods of time, remove battery to extend lifespan.

TROUBLESHOOTING

Try these troubleshooting steps before contacting the Customer Service. For additional operation, maintenance, and troubleshooting information, please contact our customer service center.

| SYMPTOM | POSSIBLE SOLUTION |
|---|--|
| Fan not spinning | <ol style="list-style-type: none"> 1. Make sure the fan is getting power. 2. Check your circuit breaker or fuse panel and wall switch for functionality. 3. Fan wires are connecting with the house wires correctly. 4. Remote control must be paired with the fan within 10 minutes after the fan getting power, 5. If you have paired the app but the fan still didn't work (light and fan both didn't work) or couldn't pair the app to the fan, try to reset the fan: to reset the fan, cut the power for 10 minutes, then turn the power on and press the pairing button on the remote for 5 seconds until hear beep sound, then pair the Carrohome app again. 6. Use a multi-meter and test the adapter wiring harness to see if there is any electrical output. 7. All the pin wiring on the circuit board are inserted tight and in the right position. 8. Remote need to pair with the fan first 9. Make sure the fan blades spin freely. 10. If you're using a wall control, check the power to the breaker from your control and try working your ceiling fan manually. (Normal switch only for the fan power on/off) |
| Fan not spinning | <ol style="list-style-type: none"> 1. Make sure LED wires are connected to the circuit board. 2. Make sure the whole fan is powered. 3. Remote need to pair with the fan first, correctly and in the retention slot. |
| The fan is noisy and wobbling | <ol style="list-style-type: none"> 1. Check if the blade screws are NOT rubbing against the round plastic part of the motor. 2. Check the pin wire are NOT connected against the moving part. 3. Check the down fan cup is NOT hitting the motor. 4. Confirm the canopy is NOT touching the ceiling while the fan is in operation 5. Check the down rod is NOT slanted. 6. Tighten any loose screws on the light kit, fan blades, motor coupling, down rod, brackets and mounting hardware 7. Confirm the hanger ball is firmly seated in the mounting bracket. 8. The ceiling beam must meet the minimum tensile test strength of 30KG for installation. 9. Make sure the airfoils and brackets are NOT bent or deformed. 10. Verify the wire connections are not rattling against each other. 11. Verify the fan blades are not cracked. If the fan blades are cracked, replace the damaged blades with a new blade set from the same brand as your ceiling fan to ensure compatibility. 12. The light kit is NOT slanting and hitting the motor. |
| Unable to pair remote and app (Only for smart Fan) | <ol style="list-style-type: none"> 1. Check if the wires are connected in the right position or not. 2. Check the batteries in the remote. 3. Disconnect the power for 10 minutes, reconnect the power and pair the remote with the fan immediately, within 5 seconds. Also try pairing the App to reconnect. 4. The WiFi must be 2.4Ghz, incompatible with 5Ghz WiFi or combine with 5Ghz. 5. App must in the new version. 6. Connect with correct app "Vaczon Home" |
| Fan or light turning on or off by themselves | <ol style="list-style-type: none"> 1. Confirm the circuit breaker is not malfunctioning 2. Verify the wire connections are not frayed. 3. Check the app is not set the timer or schedule 4. Cut the fan power for 10 minutes then power on again. 5. All the pins wiring on the circuit board are inserted tight and in the right position |