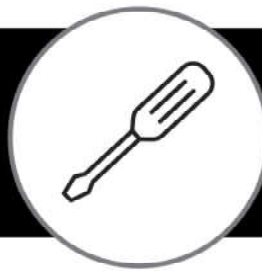


Assembly Guide



bbf
BUSH BUSINESS FURNITURE

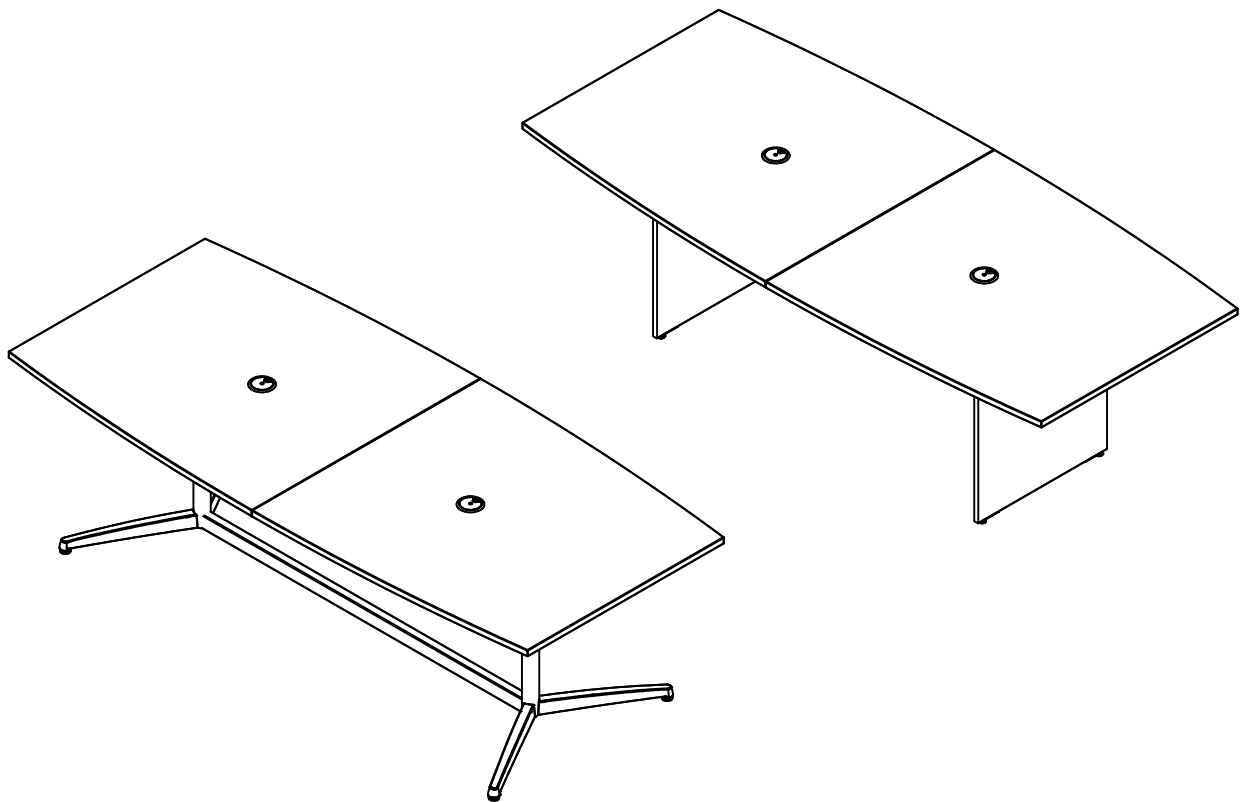


If you're having any difficulty during assembly of this product, don't hesitate to call us at **1-800-950-4782.**

Our customer service experts are trained to provide step-by-step instruction and can easily replace any missing or damaged parts.

Representatives are available Monday-Friday from 8:30 a.m. to 7:30 p.m. (ET)

96" x 42" Conference Table



Lot Code #

Part Number A176668B

Keep manual for future reference.

For best results, keep these tips in mind:

- ① We know you want to finish this assembly as quickly as possible, but trust us: you'll have a better experience if you take it one step at a time.
- ② Give yourself some room to work near where you want the fully assembled product.
- ③ If your floor isn't carpeted, assemble this product on the empty carton to avoid scratching.
- ④ Do you have a friend who owes you a favor? Some steps may go a little easier with a second set of hands.

DOs

- ✔ Use a #2 Phillips head screwdriver (or other handheld tools as indicated)
- ✔ Wear safety glasses at all times during assembly
- ✔ Carefully follow the instructions in this guide and complete all steps in order
- ✔ Give us a call if you're having trouble with a particularly tricky step

DON'Ts

- ✘ We know power tools are quick and easy, but you shouldn't use them when assembling this product (unless otherwise specified)
- ✘ Never move your furniture with items inside or resting on the surface
- ✘ Do not attempt to use this product before all steps have been completed



Watch assembly videos right on your phone or computer!



Some steps include QR codes that link to helpful videos. Watch out for the icon below! Simply open up your smartphone camera to scan the code.

(Users of older smartphones may need to install a QR Reader.)

SCAN HERE



FOR VIDEOS

Or visit <https://www.bushbusinessfurniture.com/CustomerService/HowtoAssemble.aspx>

IMPORTANT SAFETY INFORMATION



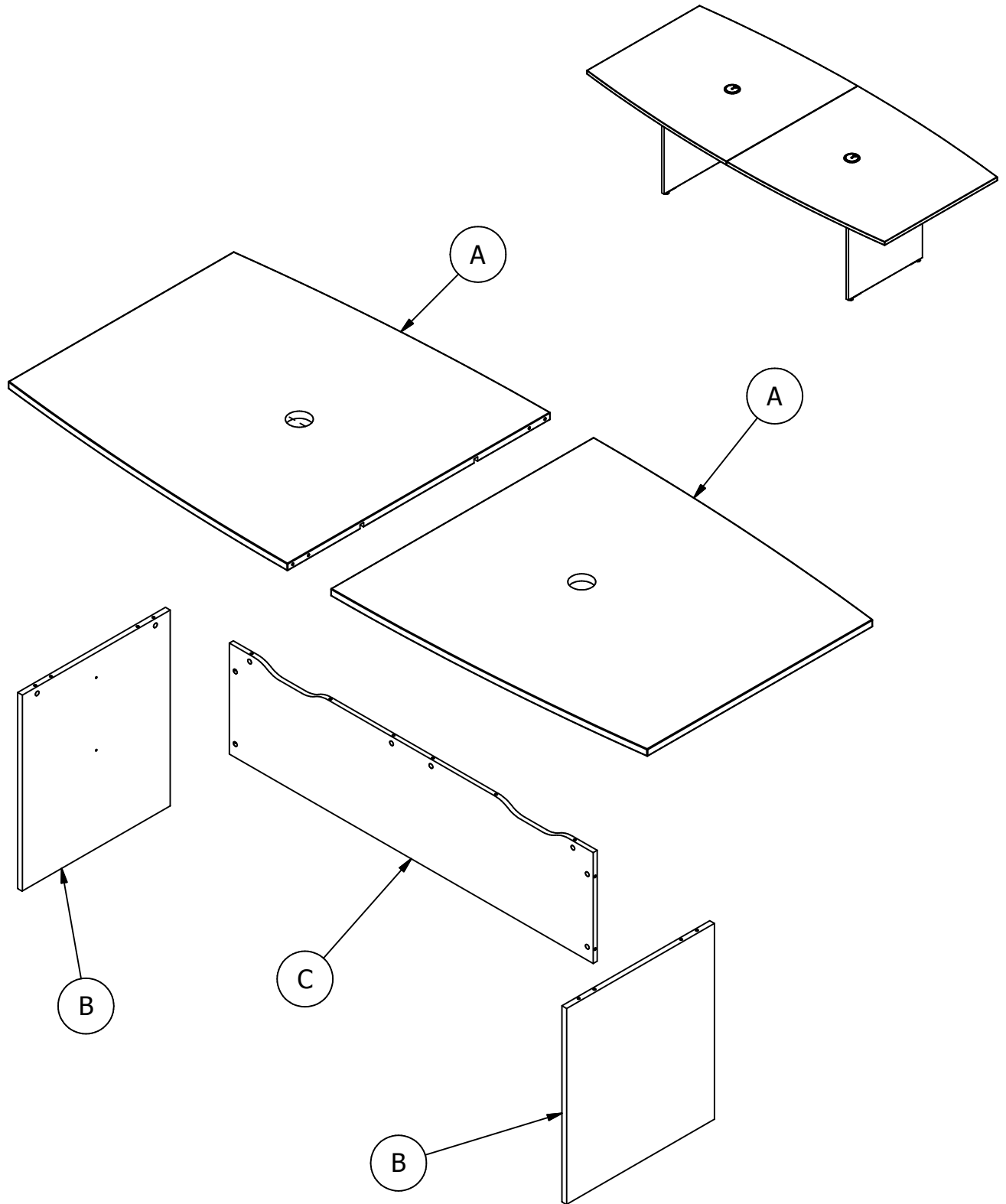
PLEASE READ WARNINGS

Improper use can cause safety hazards, or damage to your furniture and household items.

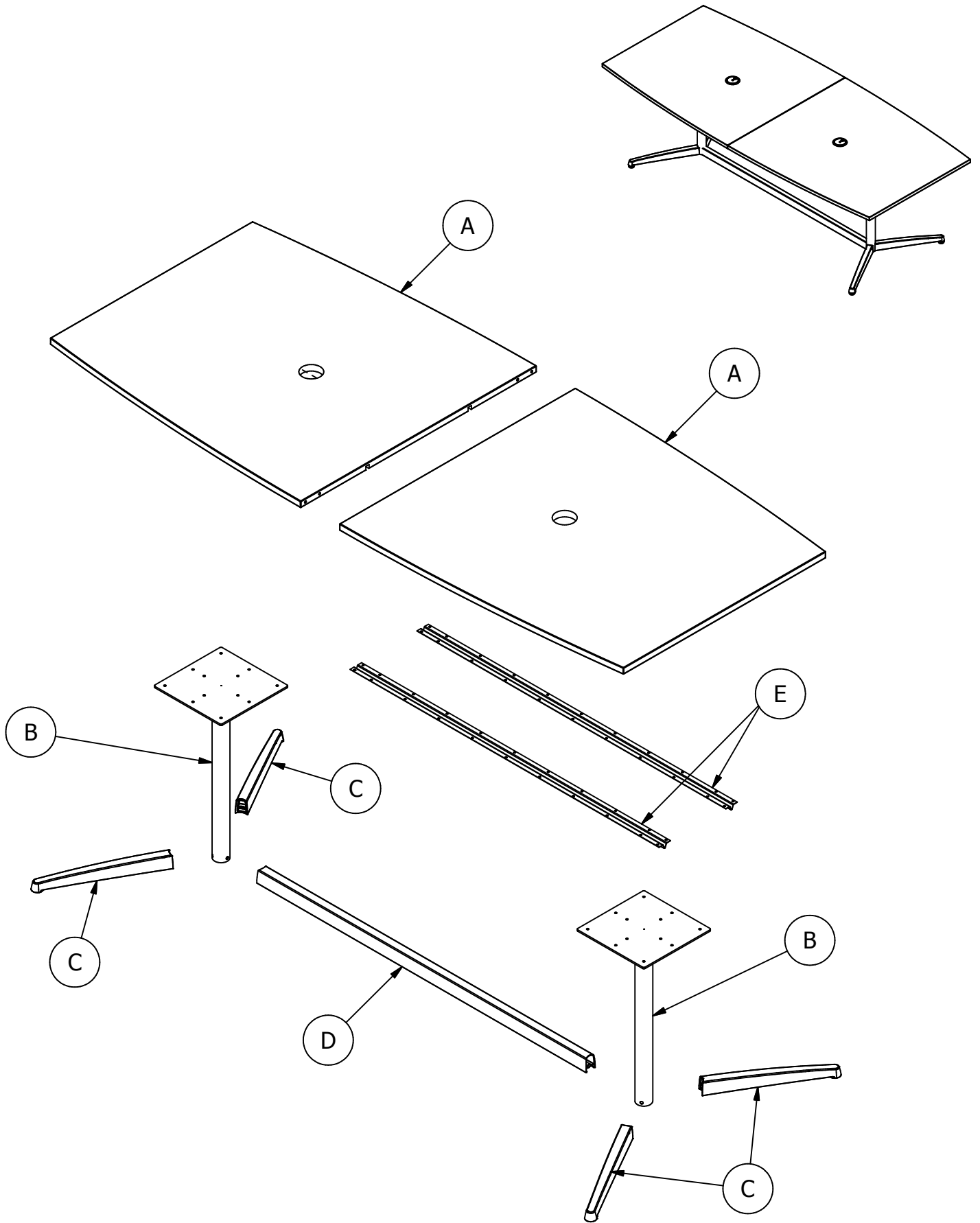
Warning	Do	Don't	Why it's important
Serious injury may occur.	<ul style="list-style-type: none">Assemble following all instructions using all indicated parts and hardware provided.	<ul style="list-style-type: none">Do not move unit when loaded.Do not load with a television or other heavy equipment.Do not exceed the maximum load limits stated in the instructions.	Improper assembly, use or loading can lead to product instability, tip-over or collapse.

Advertencia	Hacer	No	Por qué es importante
Se pueden producir lesiones graves.	<ul style="list-style-type: none">Ensamble siguiendo todas las instrucciones utilizando todas las piezas y ferretería indicados provistos.	<ul style="list-style-type: none">No mueva la unidad cuando esté cargada.No cargue con un televisor u otro equipo pesado.No exceda los límites máximos de carga establecidos en las instrucciones.	El ensamblaje, uso o carga inadecuados pueden provocar inestabilidad del producto, vuelco o colapso.

Avertissement	Faire	Ne le fais pas	Pourquoi c'est important
Des blessures graves peuvent survenir.	<ul style="list-style-type: none">Assemblez en suivant toutes les instructions en utilisant toutes les pièces et le matériel indiqués fournis.	<ul style="list-style-type: none">Ne déplacez pas l'unité lorsqu'elle est chargée.Ne chargez pas avec un téléviseur ou un autre équipement lourd.Ne dépassez pas les limites de charge maximale indiquées dans les instructions.	Un assemblage, une utilisation ou un chargement incorrects peuvent entraîner une instabilité du produit, un renversement ou un effondrement.



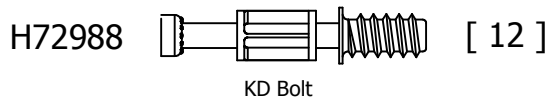
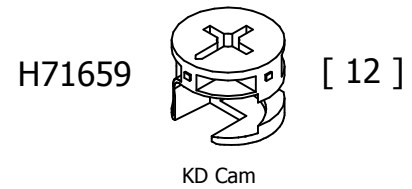
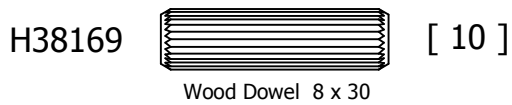
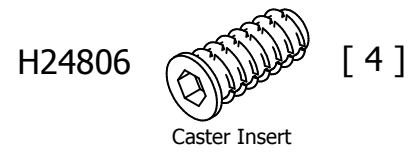
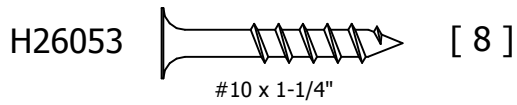
Have an assembly question or need a replacement part? Just call
1-800-950-4782, we are here to help.



Have an assembly question or need a replacement part? Just call
1-800-950-4782, we are here to help.

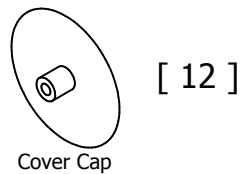
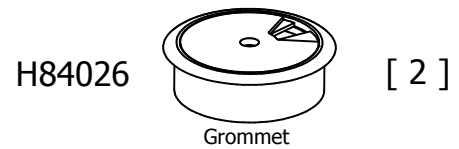
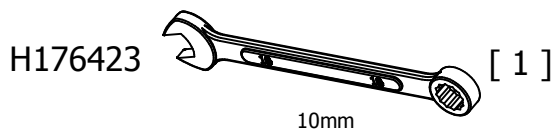
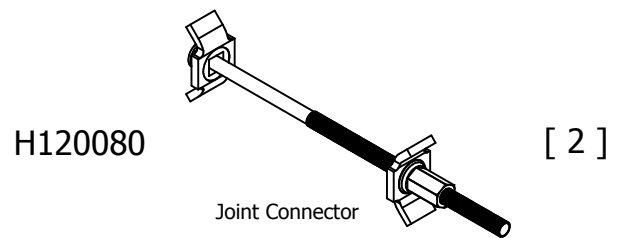
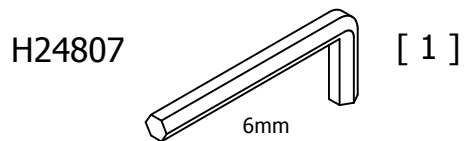
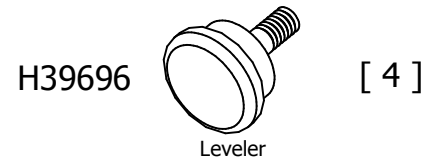
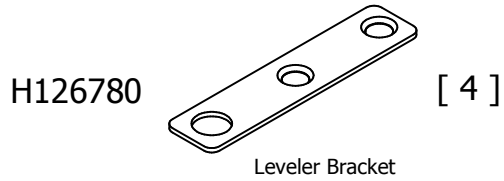
Fasteners are shown actual size.

99CBASE96 WOOD BASE ASSEMBLY



Hardware not to scale.

99CBASE96 WOOD BASE ASSEMBLY

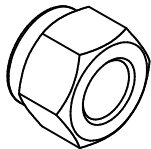


Have an assembly question or need a replacement part? Just call
1-800-950-4782, we are here to help.

Fasteners are shown actual size.

991YLEGSV, 99STCH96ASV METAL BASE ASSEMBLY

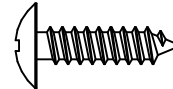
H172196



[6]

lock Nut 3/8-16

H142302



[40]

#10 x 3/4"

H23682



[20]

#10 x 1"

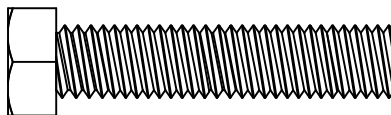
H38169



[4]

Wood Dowel 8 x 30

H172195



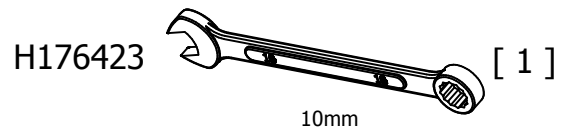
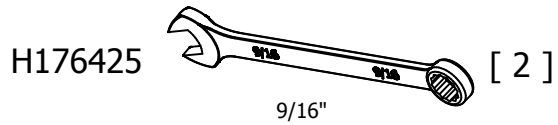
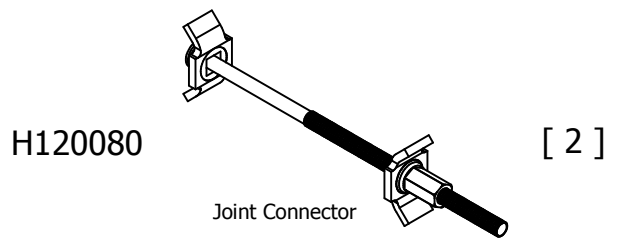
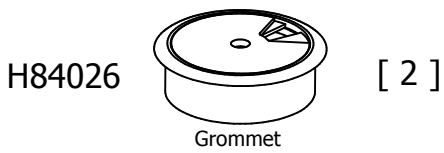
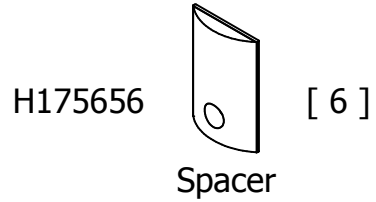
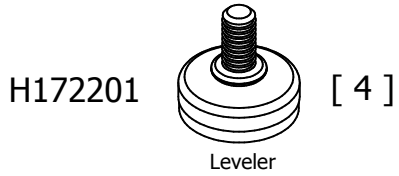
[6]

3/8-16 X 1-3/4"

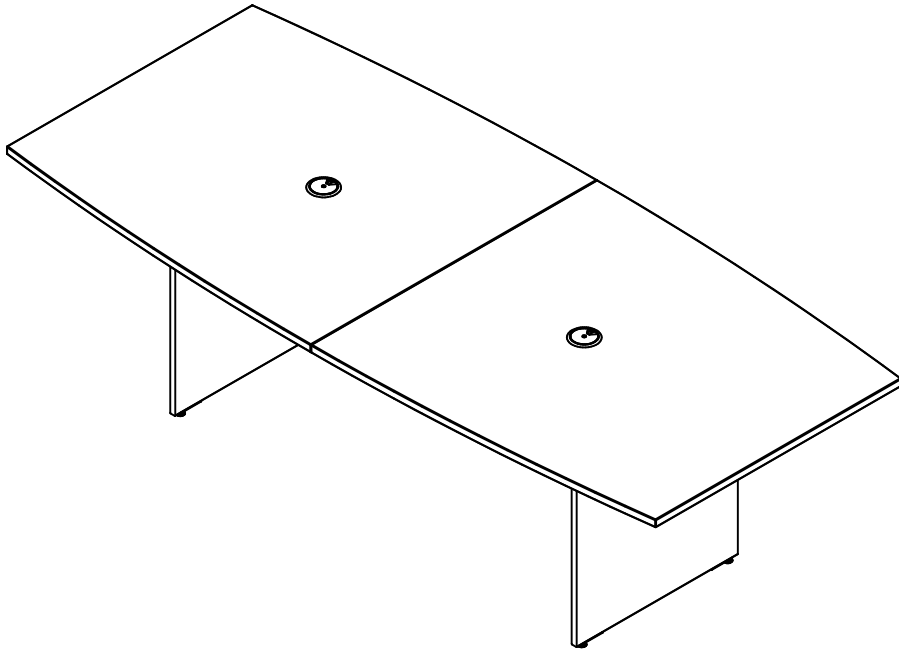
Have an assembly question or need a replacement part? Just call
1-800-950-4782, we are here to help.

Hardware not to scale.

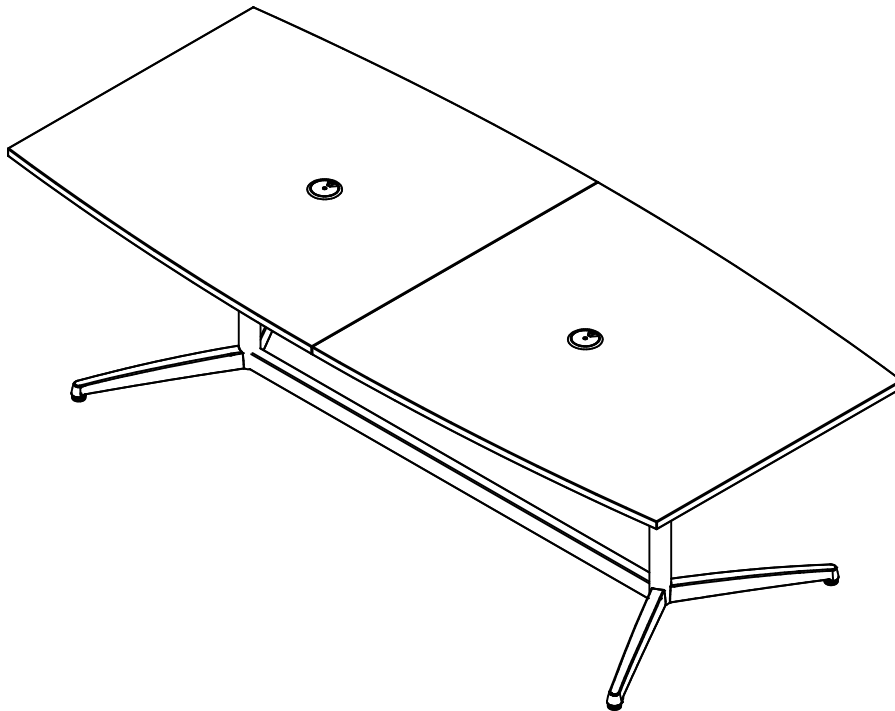
**991YLEGSV, 99STCH96ASV
METAL BASE ASSEMBLY**



Have an assembly question or need a replacement part? Just call
1-800-950-4782, we are here to help.



Go to Step 2.
Proceda al paso 2.
Allez à l'étape 2.

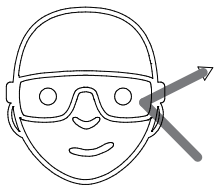
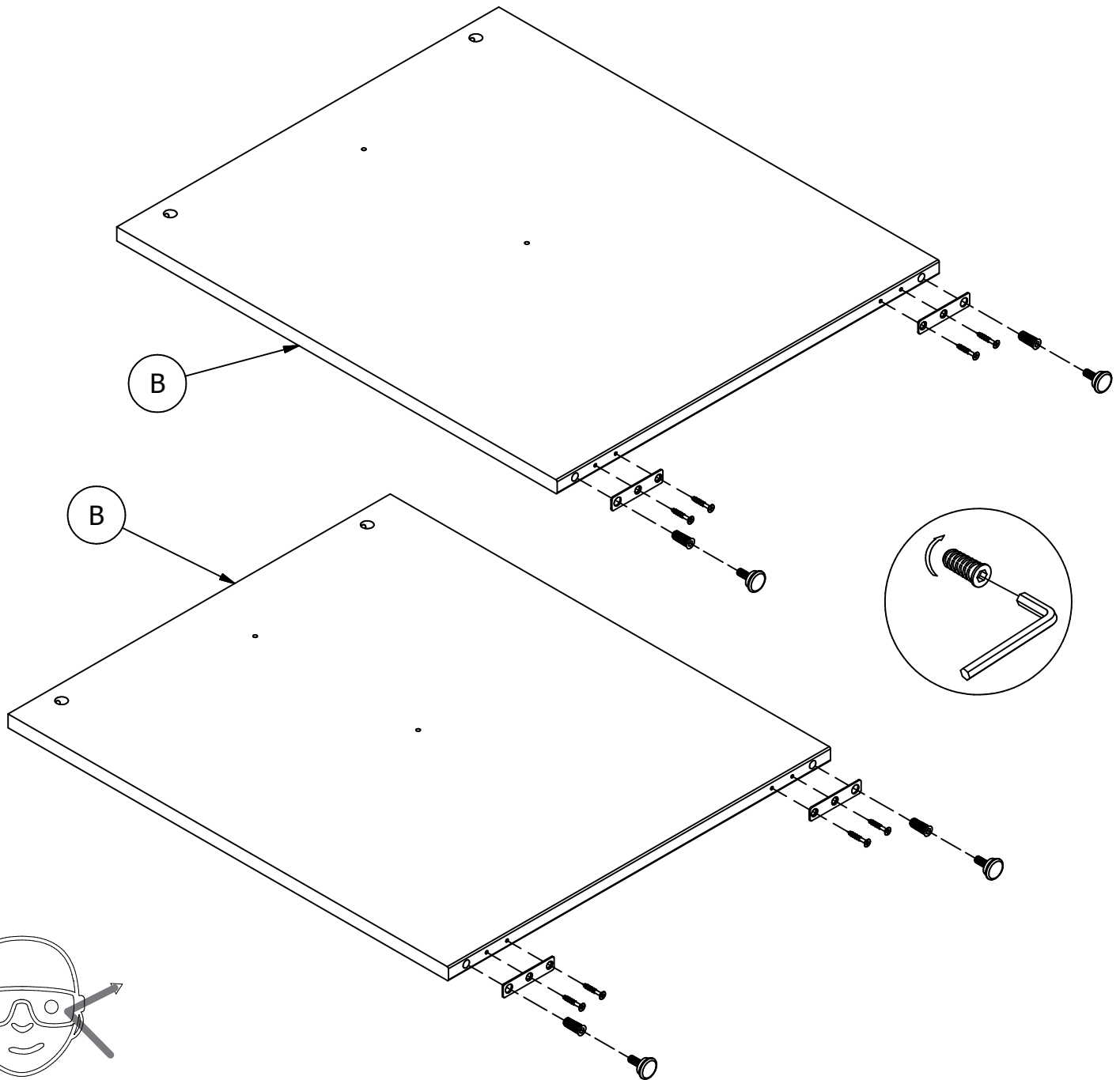
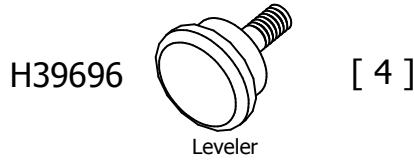
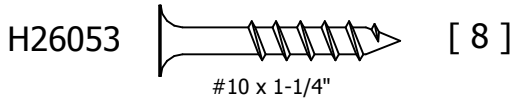
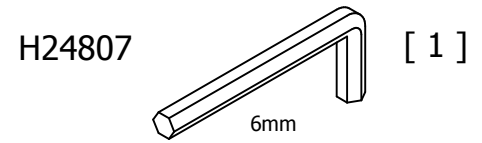
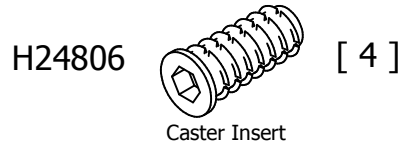
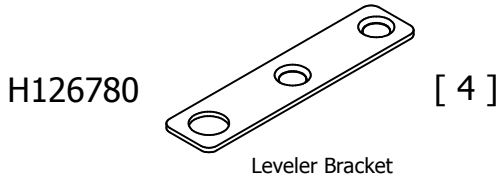


Go to Step 9.
Proceda al paso 9.
Allez à l'étape 9.

STEP 2

Prepare Panels

A176668B



Safety glasses
Gafas de seguridad
Lunettes de protection

Have an assembly question or need a replacement part? Just call
1-800-950-4782, we are here to help.

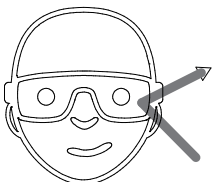
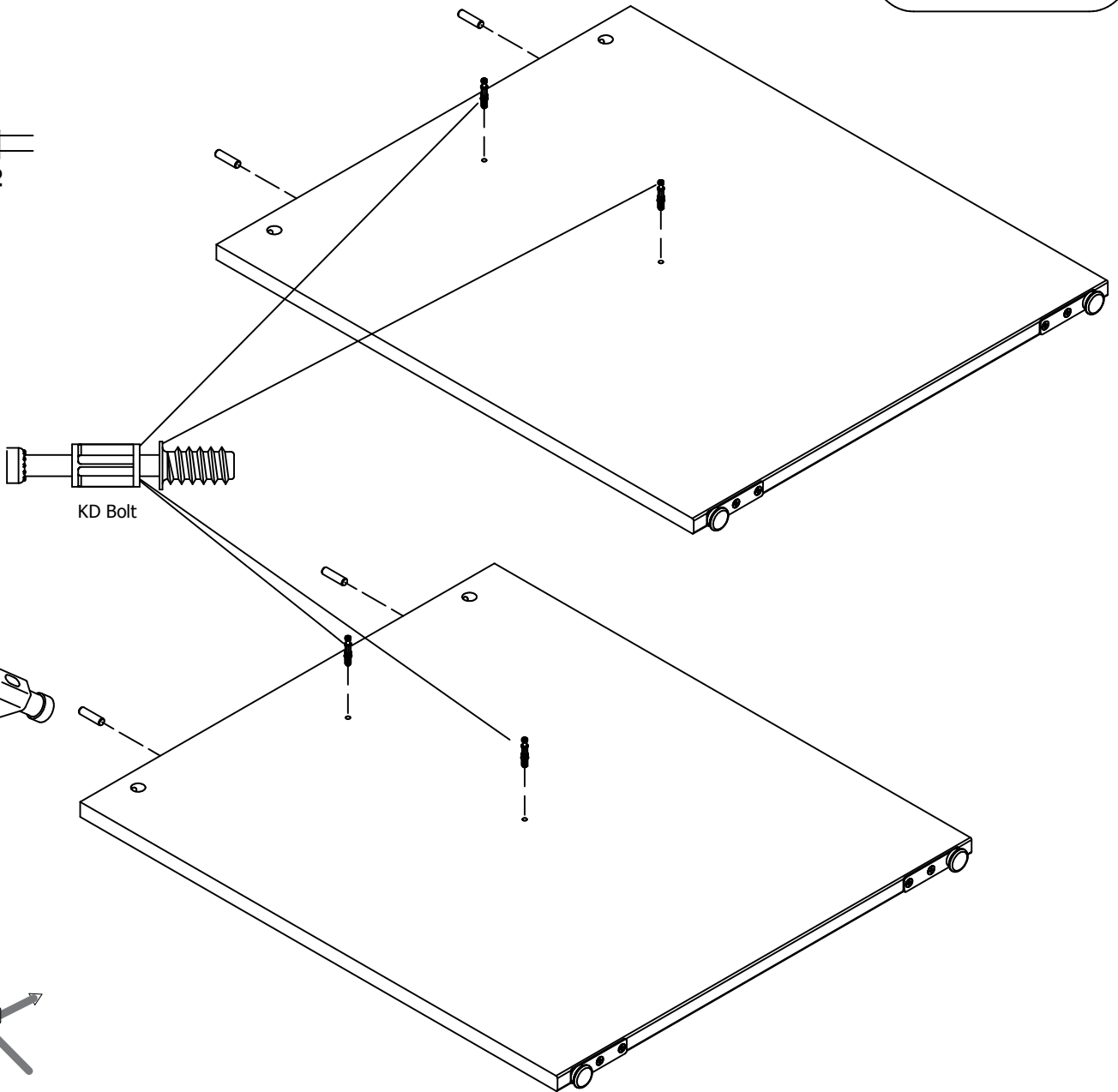
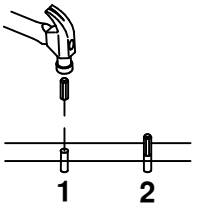
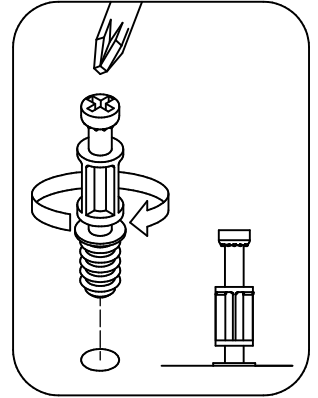
STEP 3

Prepare Panels

A176668B

H72988 [4]
KD Bolt

H38169 [4]
Wood Dowel 8 x 30



Safety glasses
Gafas de seguridad
Lunettes de protection

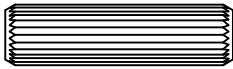
Have an assembly question or need a replacement part? Just call
1-800-950-4782, we are here to help.

STEP 4

Prepare Panel

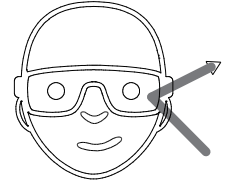
A176668B

H38169

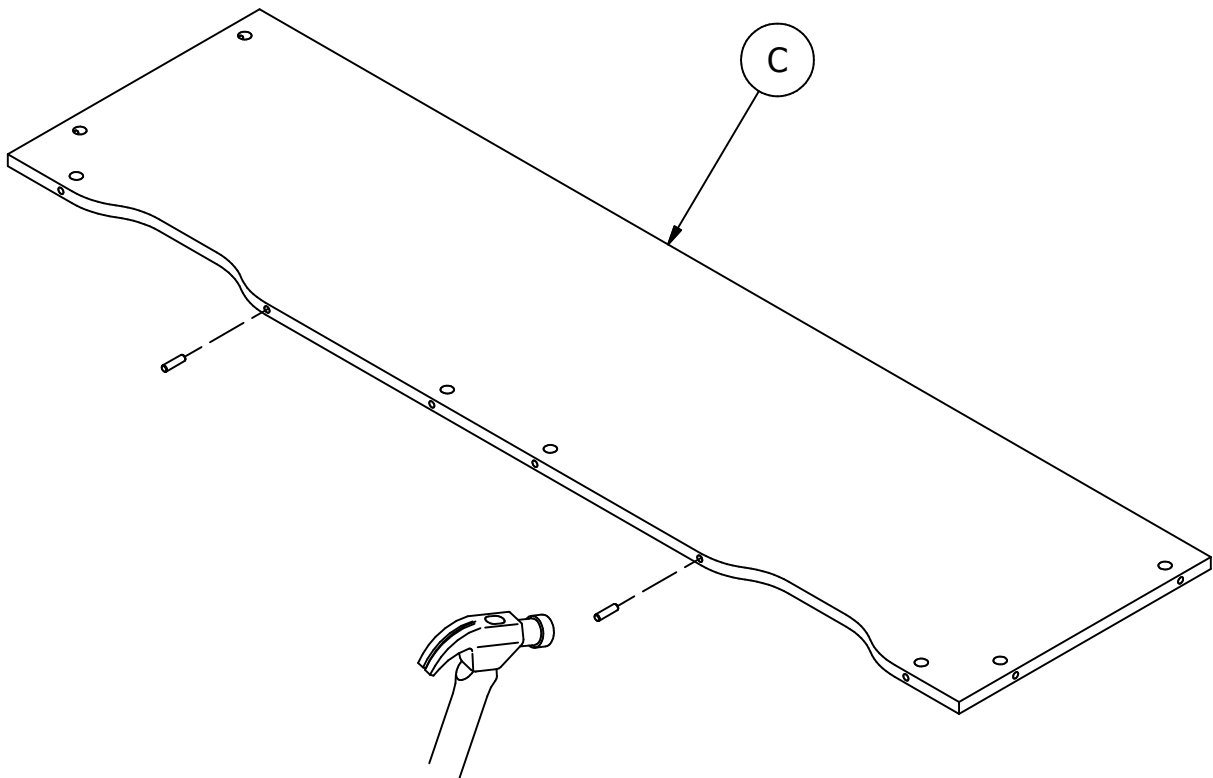
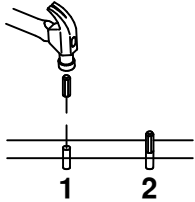


Wood Dowel 8 x 30

[2]



Safety glasses
Gafas de seguridad
Lunettes de protection

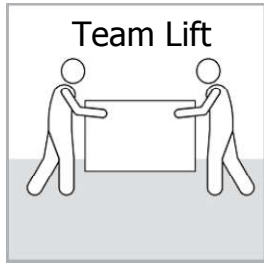


Have an assembly question or need a replacement part? Just call
1-800-950-4782, we are here to help.

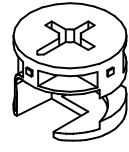
Scan QR Code to Watch Video on:



How to Tighten KD Cams

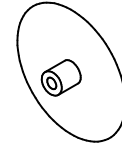


H71659



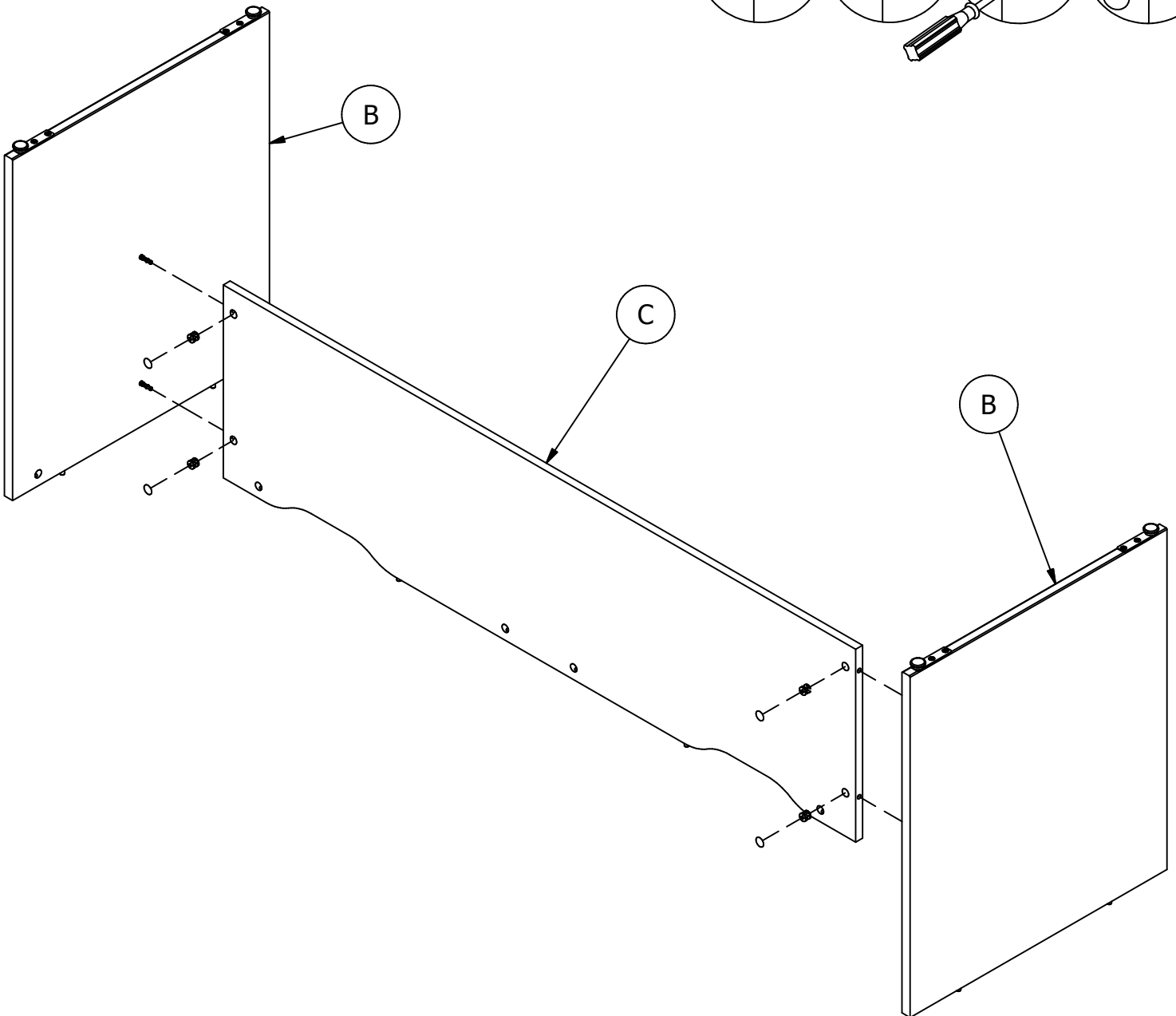
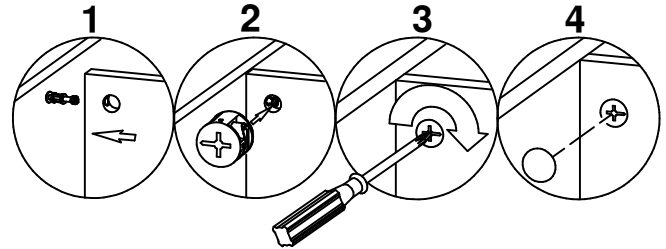
KD Cam

[4]



Cover Cap

[4]




Have an assembly question or need a replacement part? Just call **1-800-950-4782**, we are here to help.

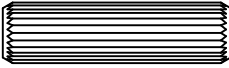
STEP 6

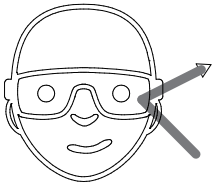
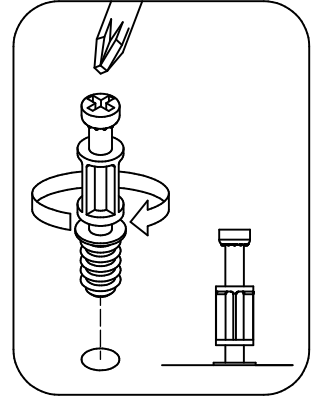
Prepare Panels

A176668B

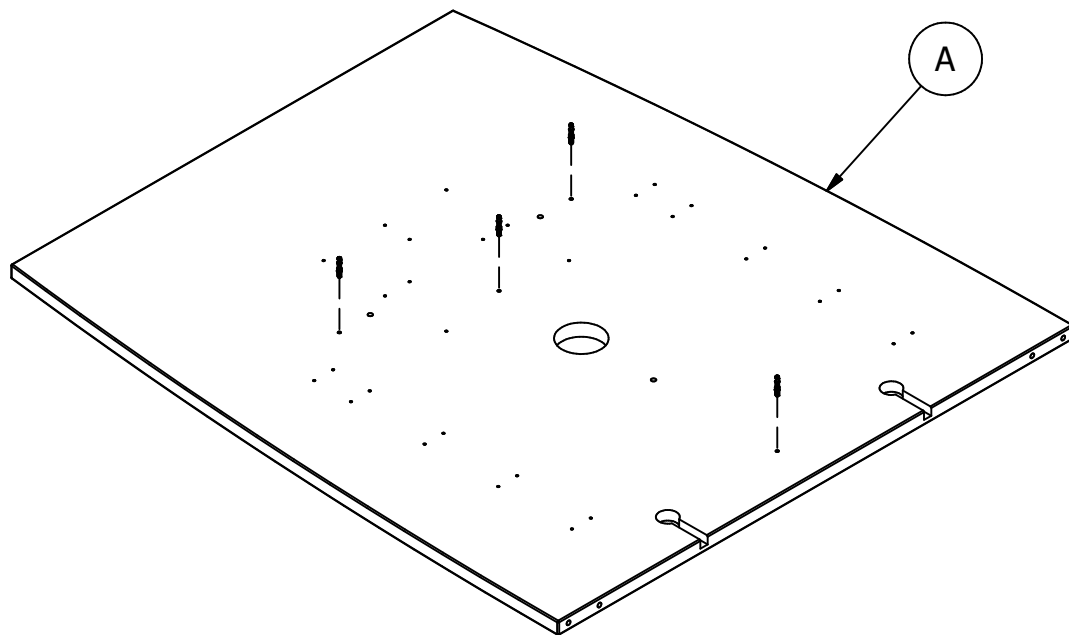
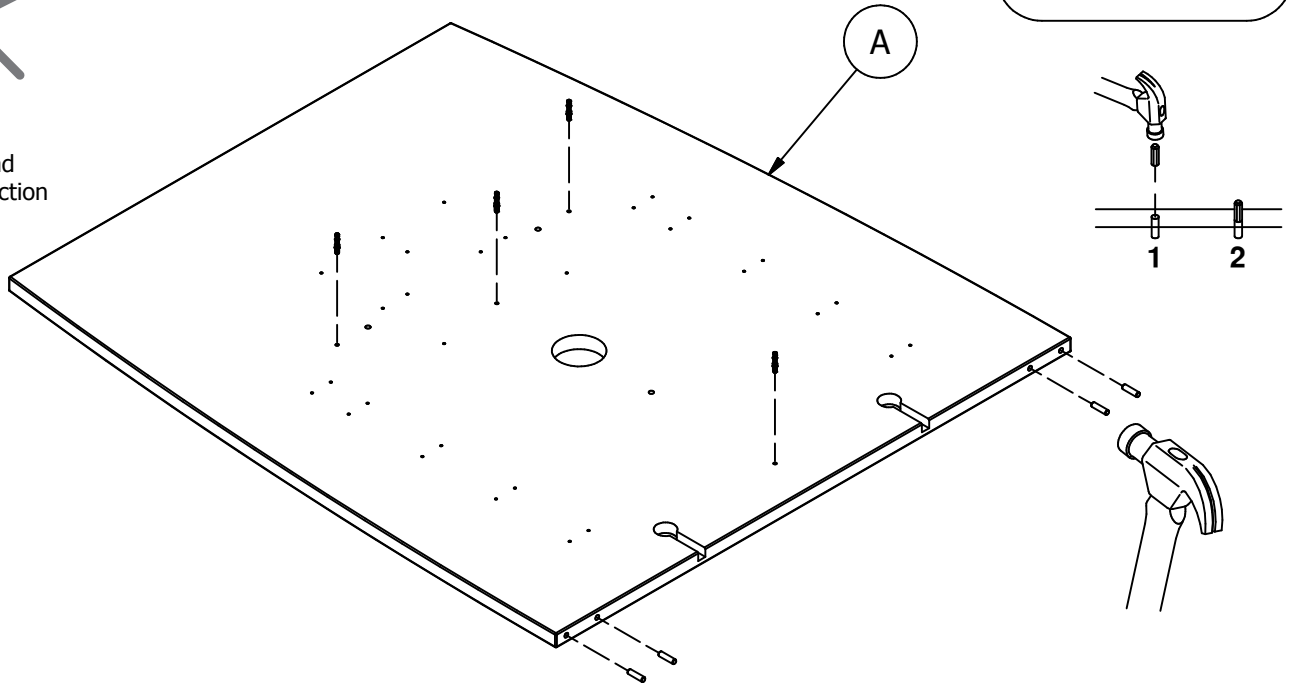


H72988  [8]
KD Bolt

H38169  [4]
Wood Dowel 8 x 30



Safety glasses
Gafas de seguridad
Lunettes de protection

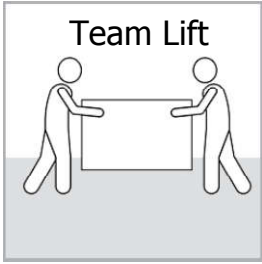


Have an assembly question or need a replacement part? Just call
1-800-950-4782, we are here to help.

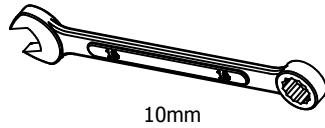
STEP 7

Assemble Panels

A176668B

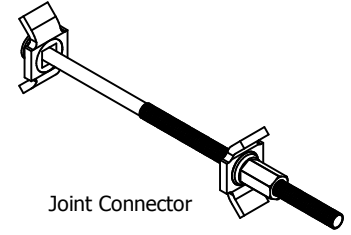


H176423

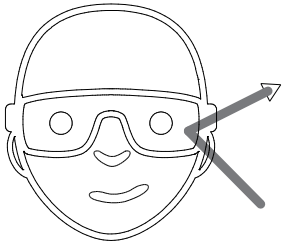


[1]

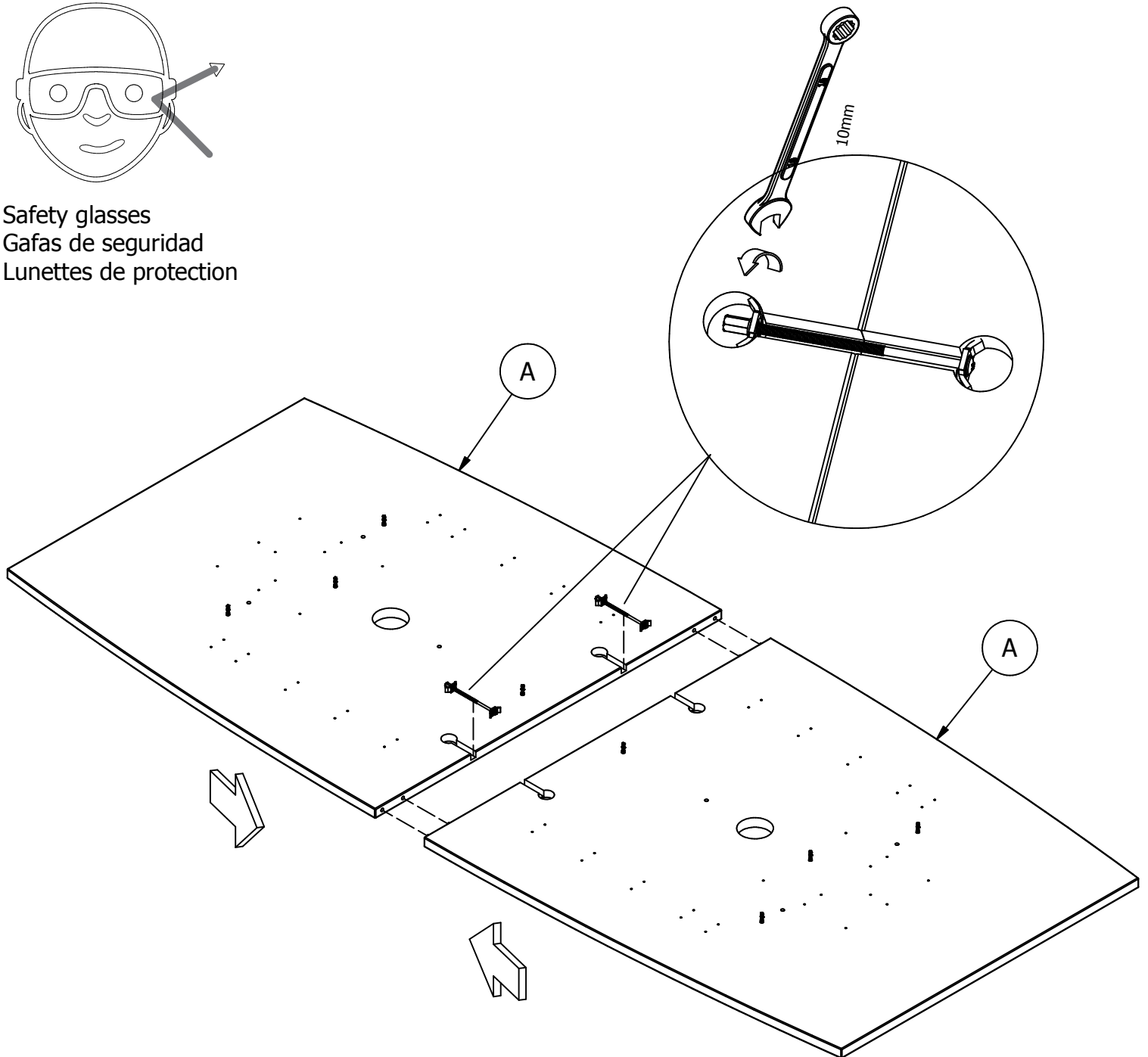
H120080



[2]



Safety glasses
Gafas de seguridad
Lunettes de protection



Have an assembly question or need a replacement part? Just call
1-800-950-4782, we are here to help.

STEP 8

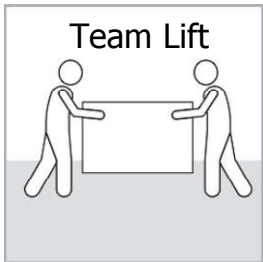
Assemble Panels

A176668B

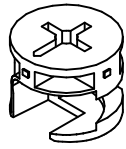
Scan QR Code to Watch Video on:



How to Tighten KD Cams

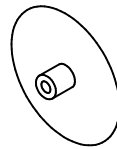


H71659



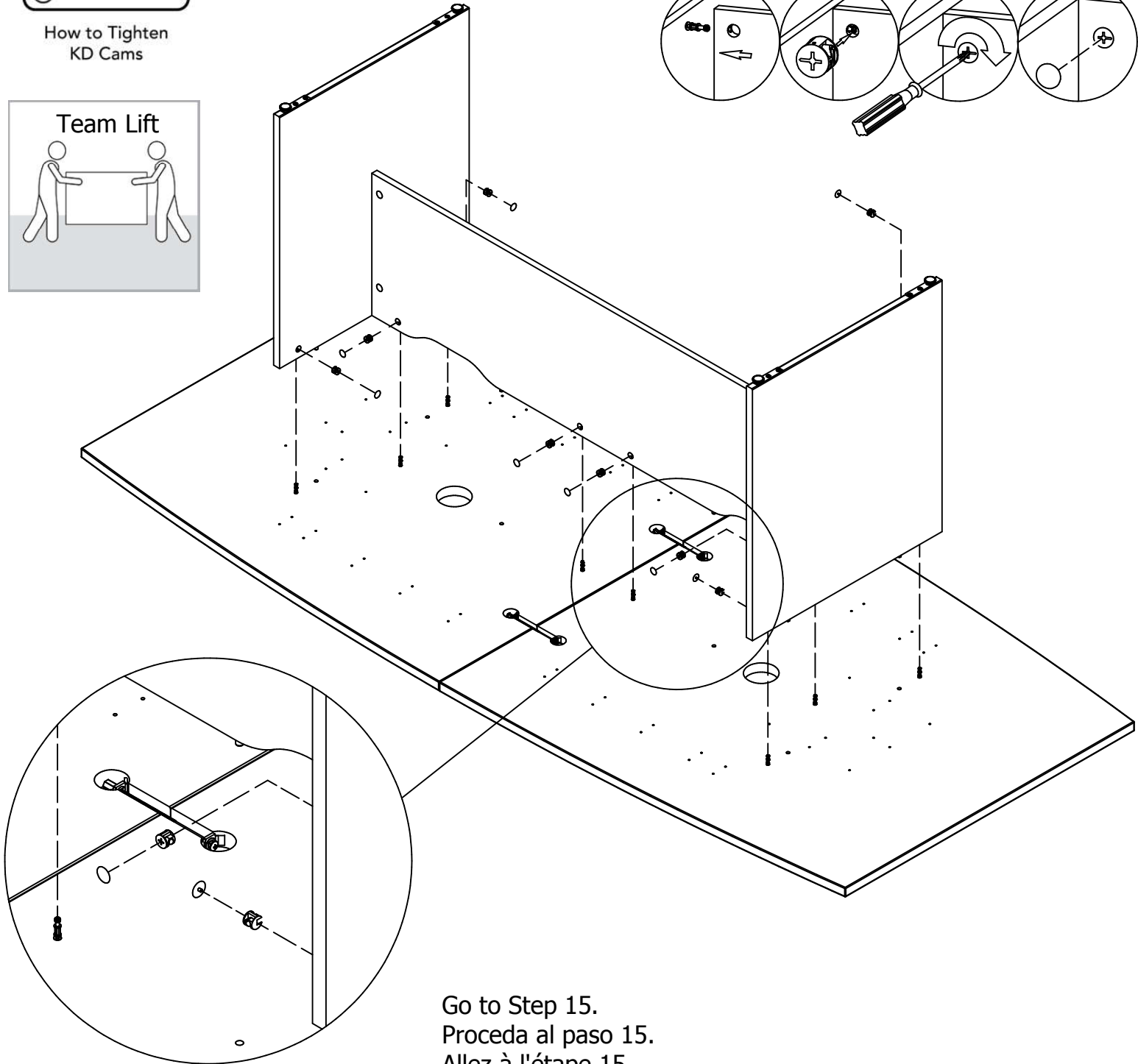
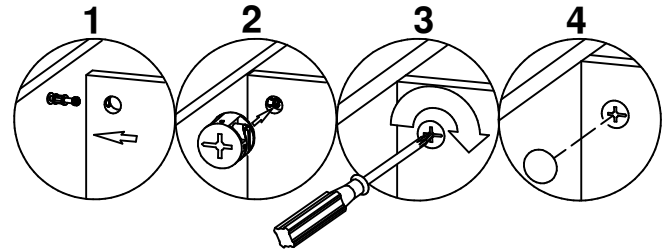
[8]

KD Cam



[8]

Cover Cap



Go to Step 15.
Proceda al paso 15.
Allez à l'étape 15.

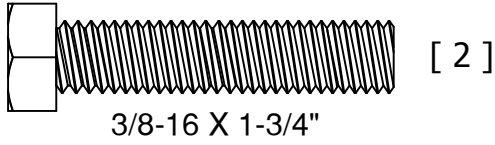
Have an assembly question or need a replacement part? Just call **1-800-950-4782**, we are here to help.

STEP 9

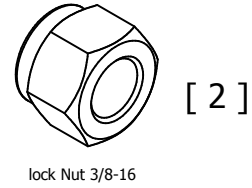
Assemble Base

A176668B

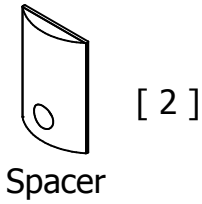
H172195



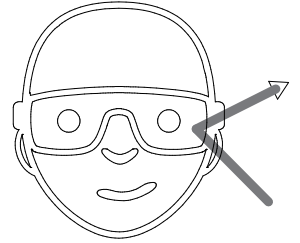
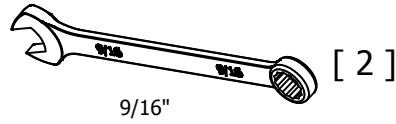
H172196



H175656

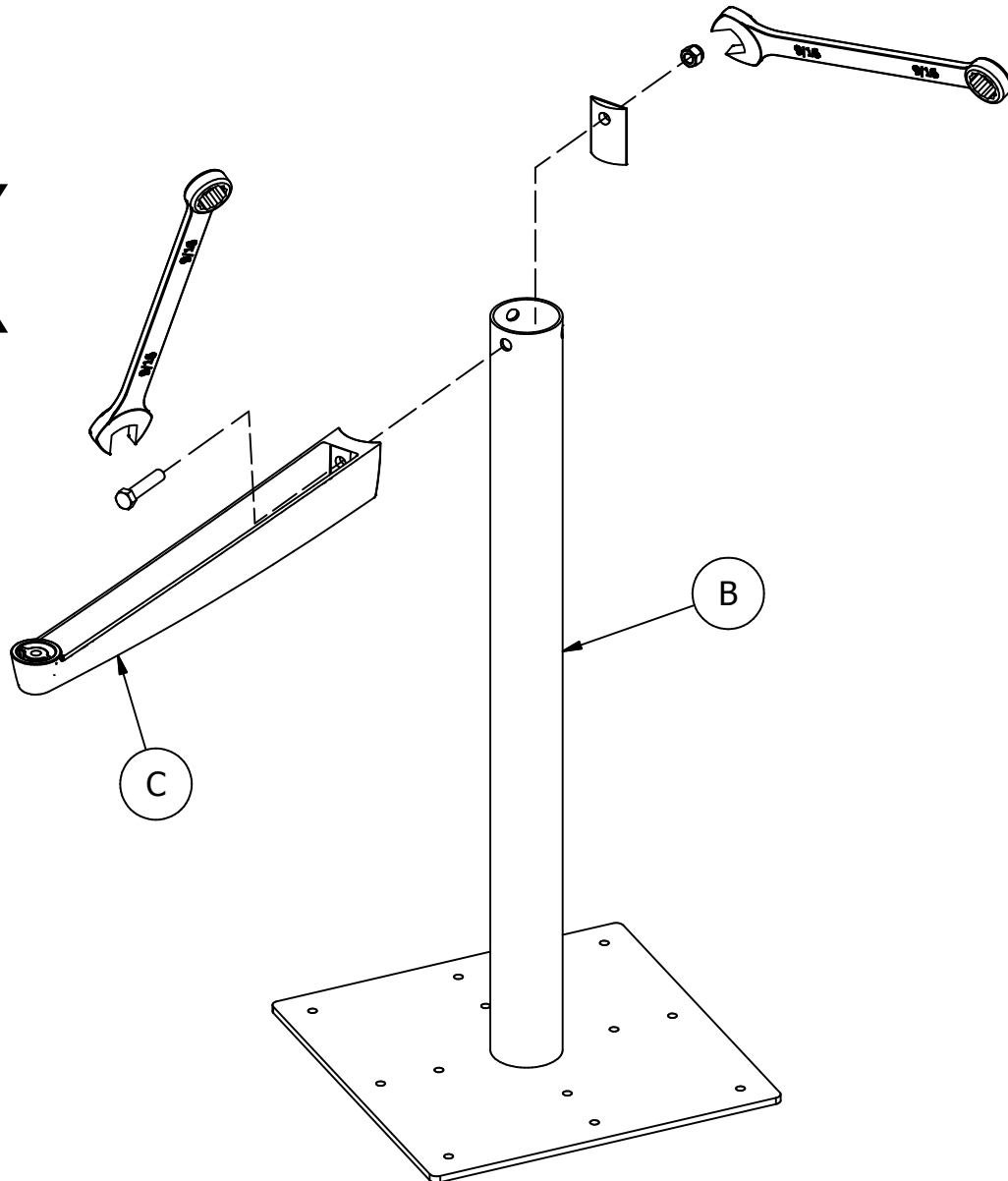


H176425



Safety glasses
Gafas de seguridad
Lunettes de protection

2X



Have an assembly question or need a replacement part? Just call
1-800-950-4782, we are here to help.

H172195 [2]
3/8-16 X 1-3/4"

H172196 [2]
lock Nut 3/8-16

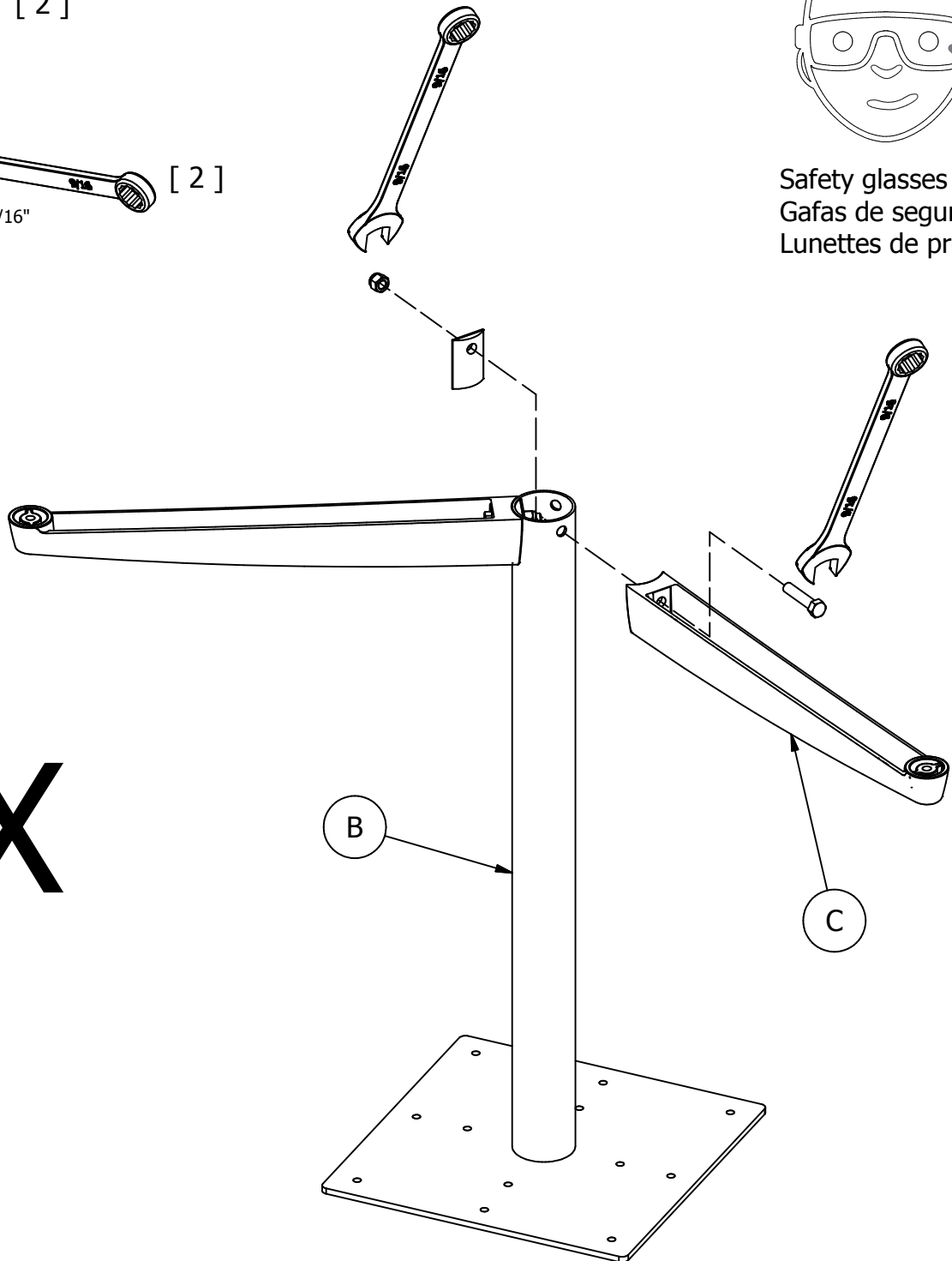
H175656 [2]
Spacer

H176425 [2]
9/16"



Safety glasses
Gafas de seguridad
Lunettes de protection

2X



Have an assembly question or need a replacement part? Just call
1-800-950-4782, we are here to help.

STEP 11

Assemble Base

A176668B



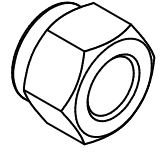
H172195



[2]

3/8-16 X 1-3/4"

H172196



[2]

lock Nut 3/8-16

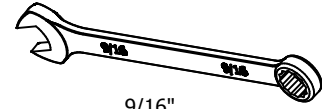
H175656



[2]

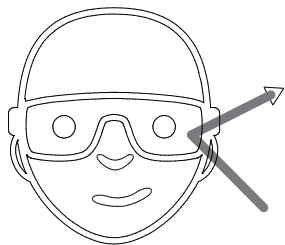
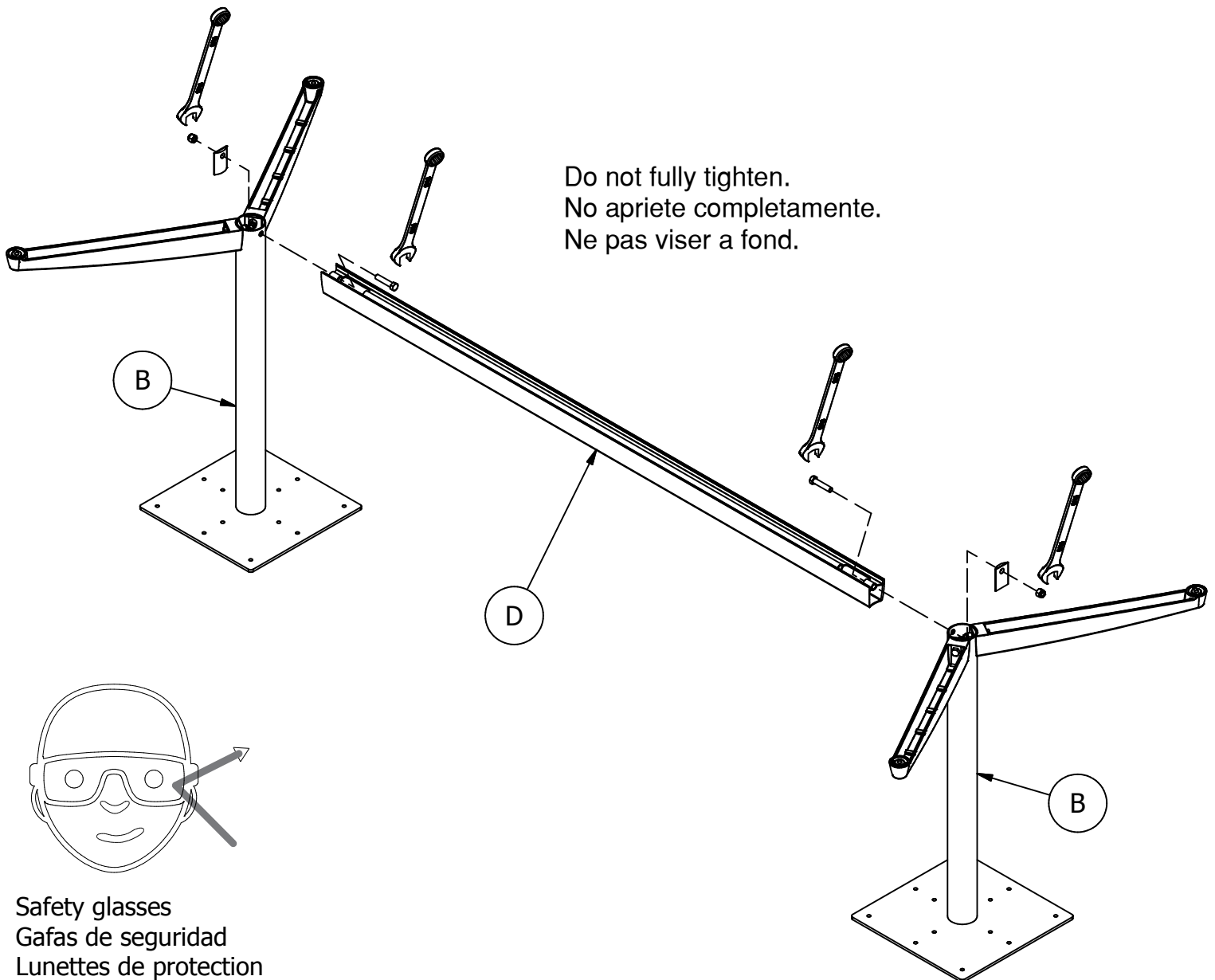
Spacer

H176425



[2]

9/16"



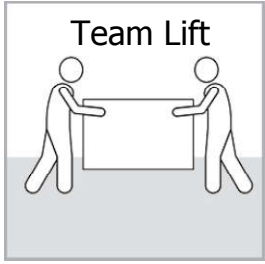
Safety glasses
Gafas de seguridad
Lunettes de protection


Have an assembly question or need a replacement part? Just call
1-800-950-4782, we are here to help.

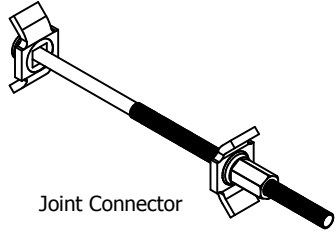
STEP 12

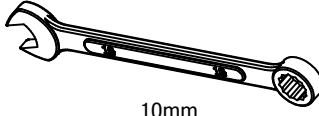
Assemble Panels

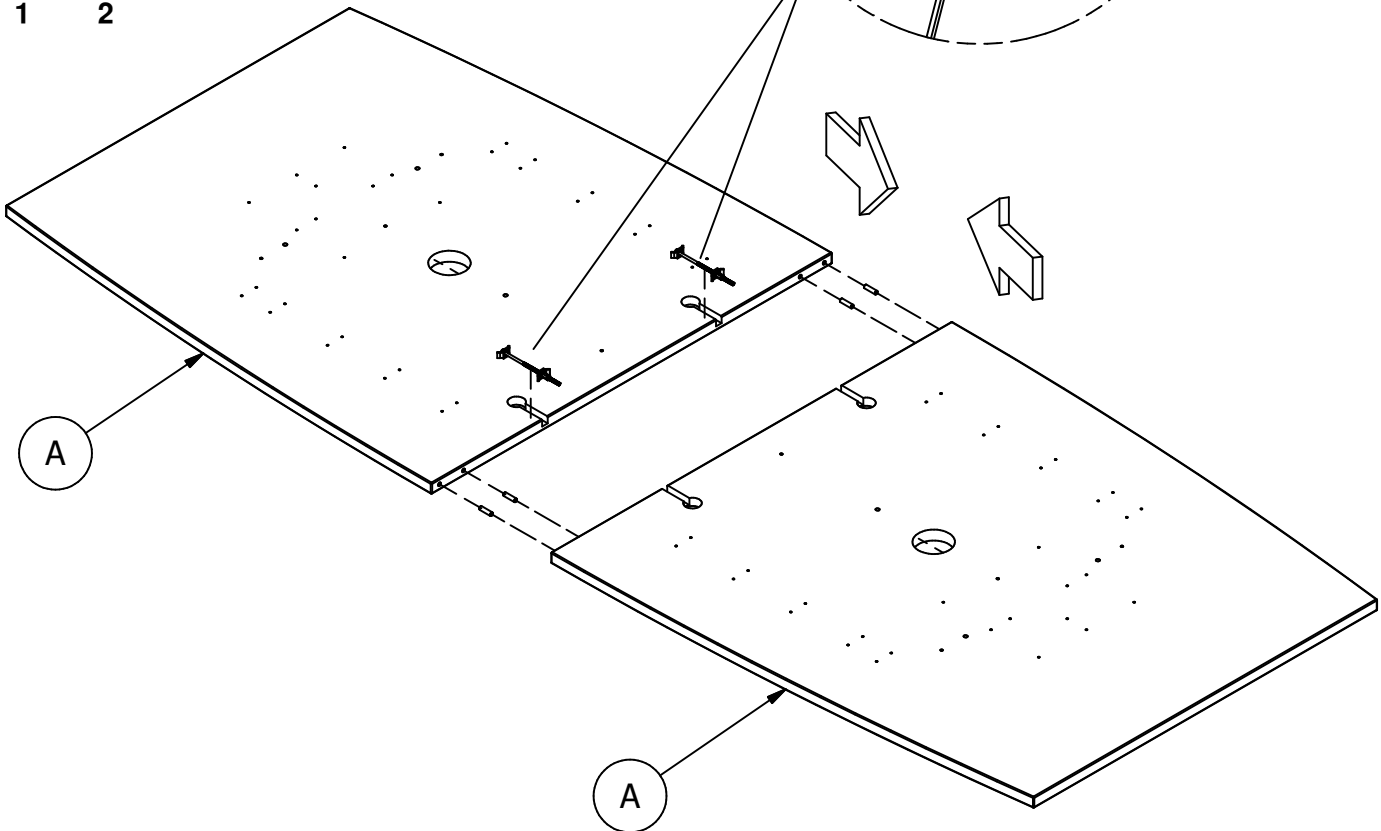
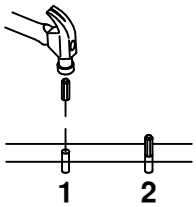
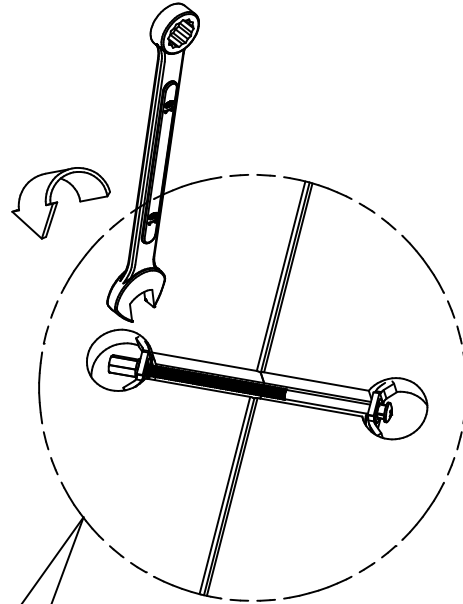
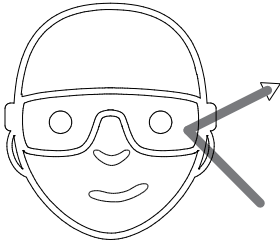
A176668B



H38169  [4]
Wood Dowel 8 x 30

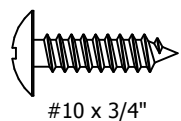
H120080  [2]
Joint Connector

H176423  [1]
10mm



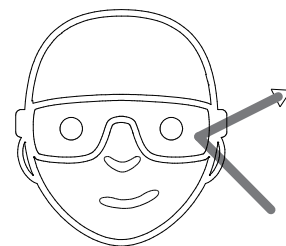
Have an assembly question or need a replacement part? Just call **1-800-950-4782**, we are here to help.

H142302

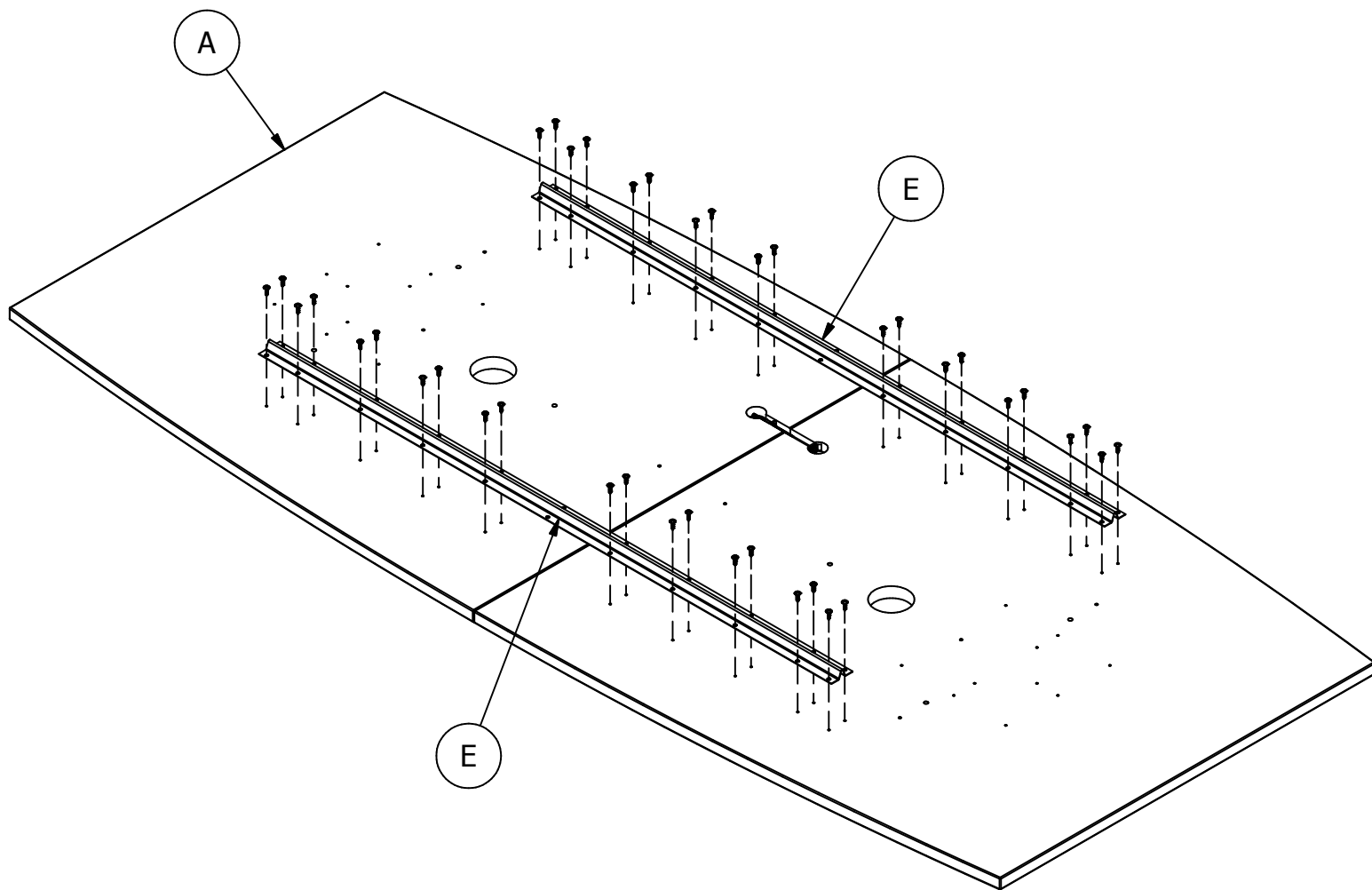


[40]

#10 x 3/4"



Safety glasses
Gafas de seguridad
Lunettes de protection

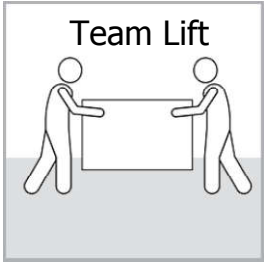


Have an assembly question or need a replacement part? Just call
1-800-950-4782, we are here to help.

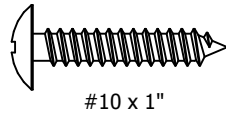
STEP 14

Attach Base

A176668B



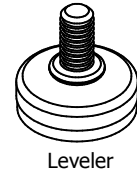
H23682



[20]

#10 x 1"

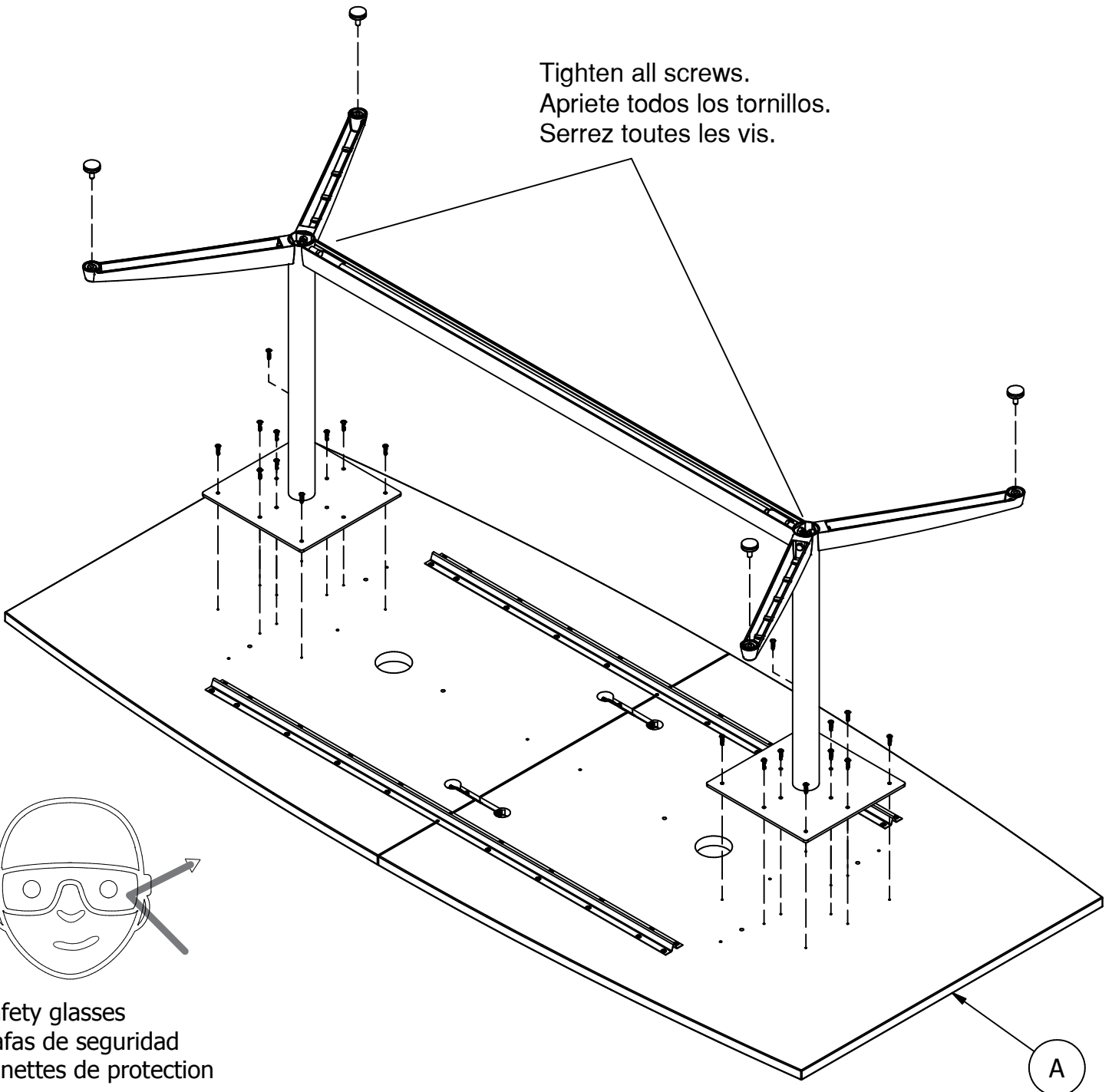
H172201



[4]

Leveler

Tighten all screws.
Apriete todos los tornillos.
Serrez toutes les vis.



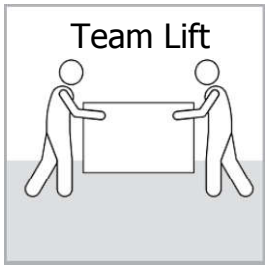
Safety glasses
Gafas de seguridad
Lunettes de protection

Have an assembly question or need a replacement part? Just call
1-800-950-4782, we are here to help.

Scan QR Code to Watch Video on:



How to Clean the Surface

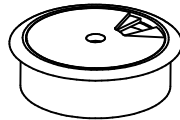


Gently clean surfaces with a damp sponge eraser.

With an assistant carefully stand unit upright.

Con un asistente cuidadosamente levante la unidad a una posición vertical.

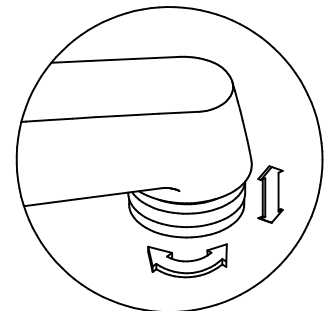
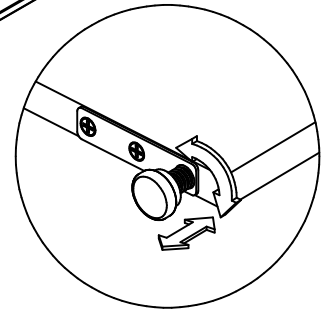
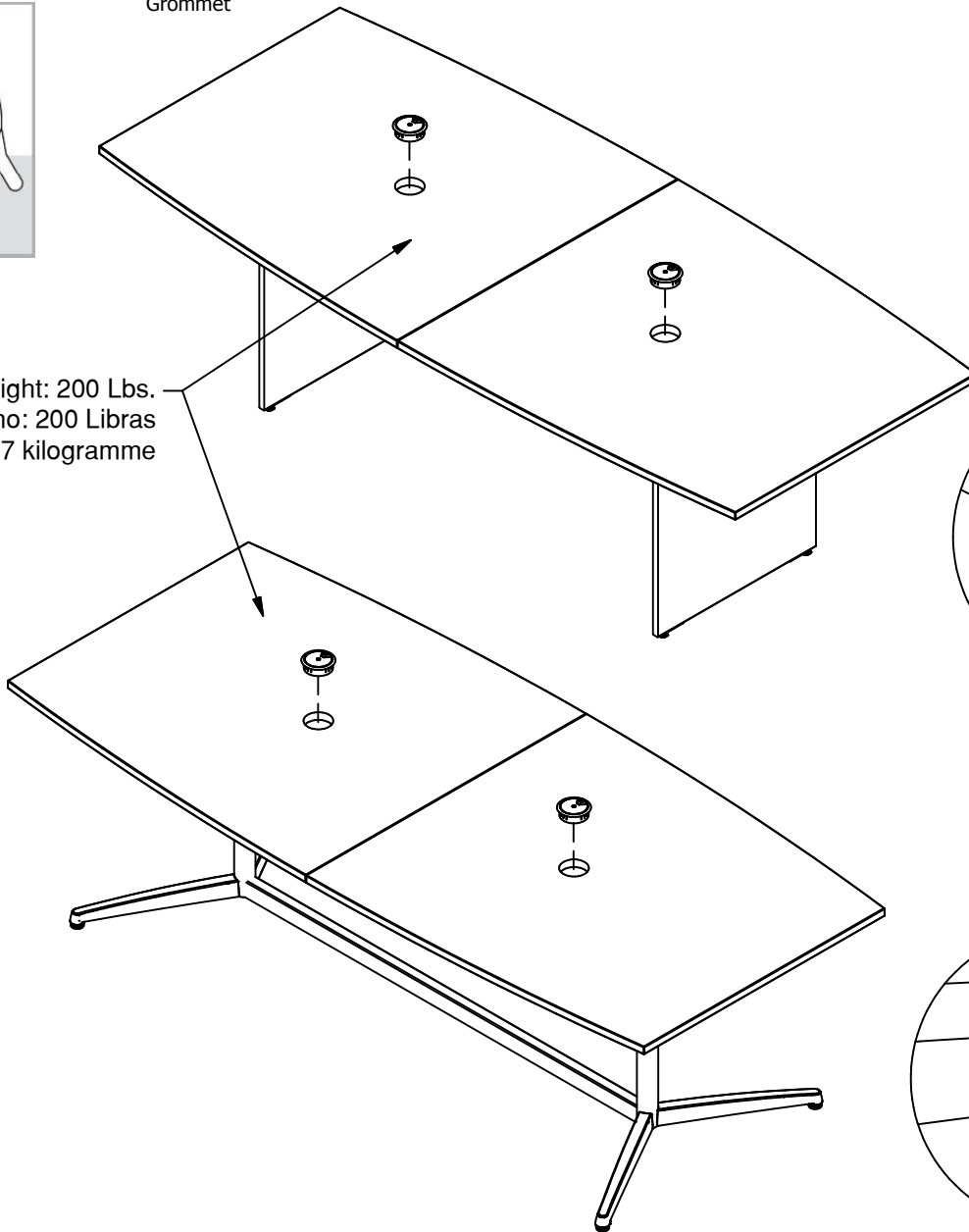
Avec l'aide d'un assistant placez soigneusement l'unité debout.



Grommet

[2]

Maximum Weight: 200 Lbs.
Peso Máximo: 200 Libras
Poids Maximum: 90.7 kilogramme



Congratulations! You are all done. If you have any questions or concerns, please call.

Have an assembly question or need a replacement part? Just call **1-800-950-4782**, we are here to help.

99BTOP9642ACS

A [2] W176669

99BTOP9642AAC

A [2] W176672

99BTOP9642AMC

A [2] W176671

99BTOP9642HC

A [2] W186919

99BTOP9642SG

A [2] W186898

99BTOP9642PG

A [2] W200314

99BTOP9642AMR

A [2] W176670

99BTOP9642WH

A [2] W200316

99CBASE96CS

B [2] W174228
C [1] W171601

99CBASE96AC

B [2] W174231
C [1] W172252

99CBASE96HC

B [2] W179037
C [1] W186920

99CBASE96PG

B [2] W200309
C [1] W200315

99CBASE96MC

B [2] W174230
C [1] W172251

99CBASE96SG

B [2] W186895
C [1] W186899

99CBASE96MR

B [2] W174229
C [1] W172250

99CBASE96WH

B [2] W200312
C [1] W200317

991YLEGSV - QTY 2

B [2] H171568
C [4] H172193

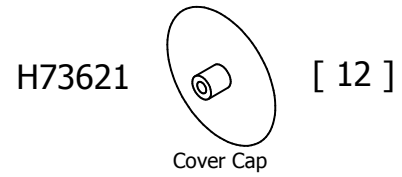
99STCH96ASV - QTY 1

D [1] H172867
E [2] H176662

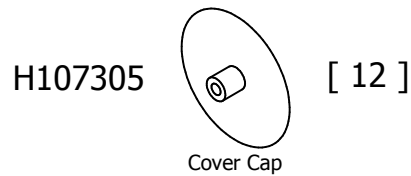
99CBASE96CS



99CBASE96MR



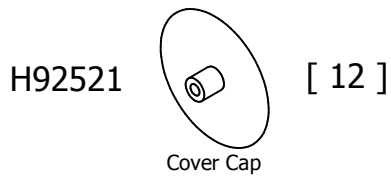
99CBASE96MC



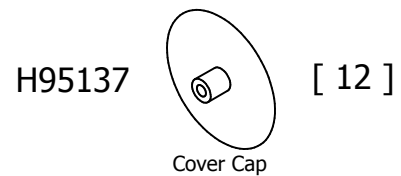
99CBASE96AC



99CBASE96SG



99CBASE96HC



99CBASE96PG



99CBASE96WH

