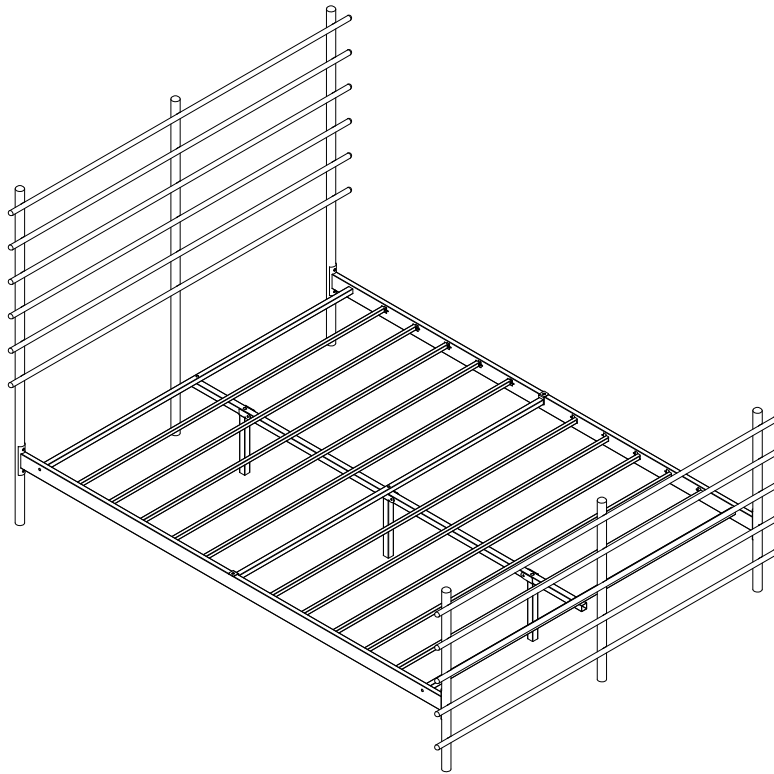


ASSEMBLY INSTRUCTION

MODEL NUMBER: 303N



NOTES:

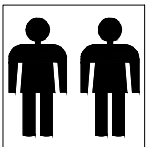
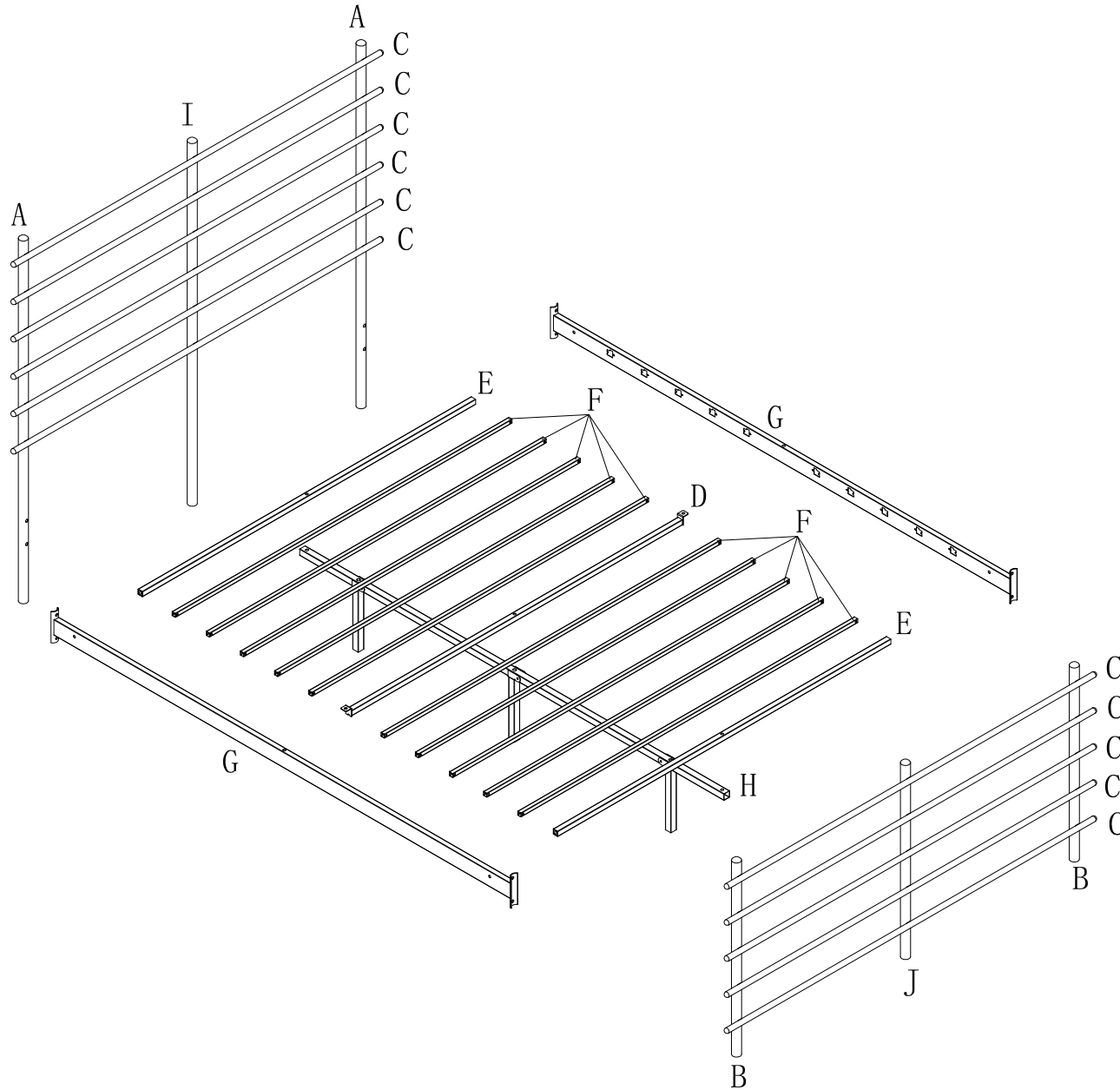
- The item is only intended to be used indoors. The product must be assembled and used in accordance with the provisions of the manual.
- It is recommended that assembly is undertaken by about 2 adults. Please read assembly instructions before assembly and strictly adhere to each step outlined. Estimated assembly time is 30 minutes.

WARNING:

- **WARNING FOR YOUNG CHILDREN** - This product contains small components, please ensure that they are kept away from small children while assembling.

1



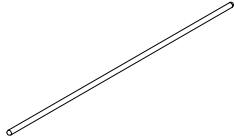
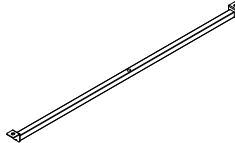
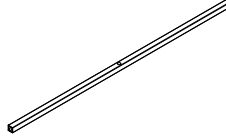
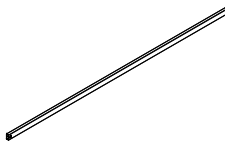
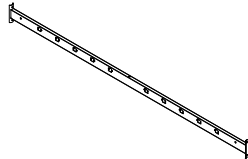
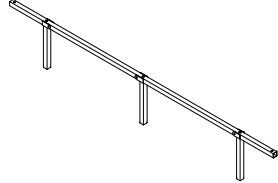


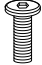
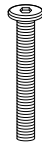
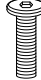
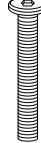



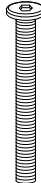
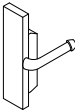
PARTS LIST



Minimum two person assembly

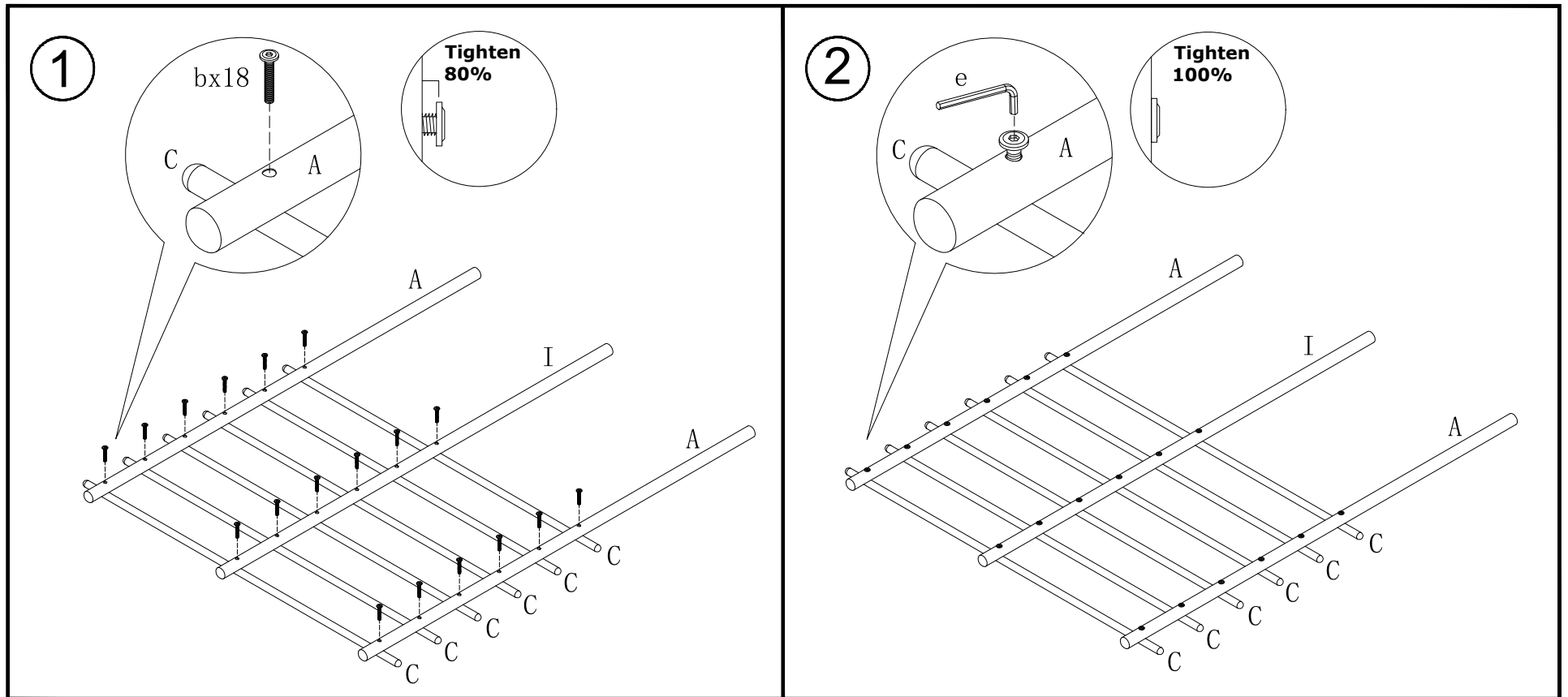
2

PARTS LIST

A	B	C	D	E	F	G	H			
										
2pcs	2pcs	11pcs	1pc	2pcs	10pcs	2pcs	1pc			
I	J	a	b	c	d	e	f	g	h	Spare parts
										
1pc	1pc	M6*15 8pcs	M6*40 33pcs	M8*20 2pcs	M8*45 8pcs	M4 1pc	M6 8pcs	M5 1pc	M8*60 1pc	4pcs

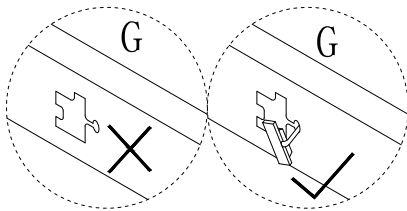
3

NOTE: PLEASE DO NOT TIGHTEN THE BOLTS UNTIL ALL FIXED

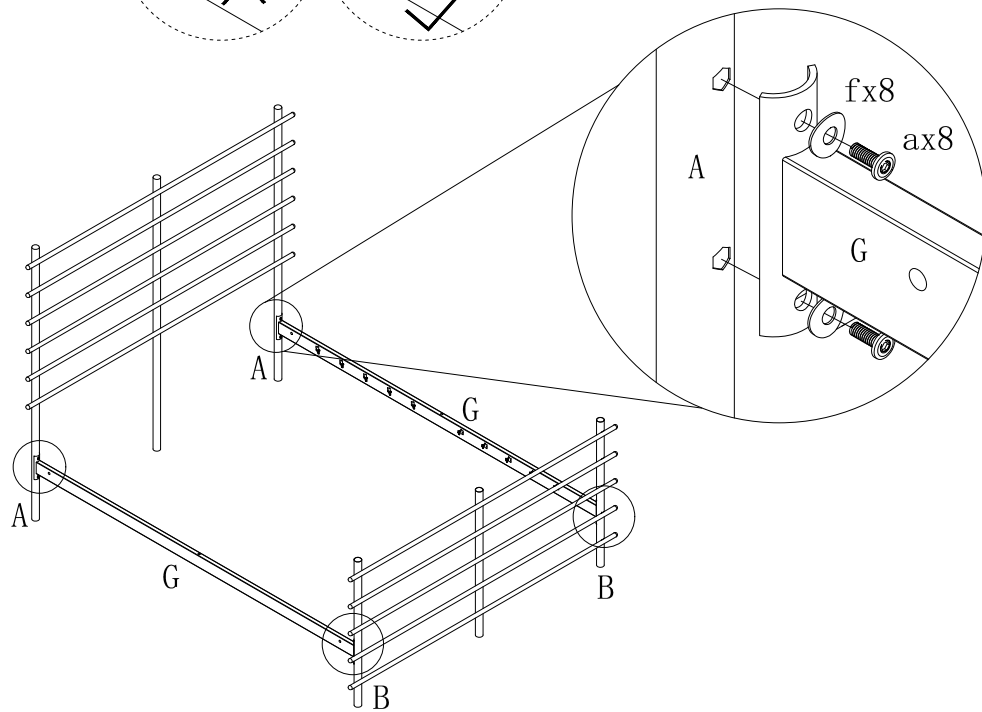


5

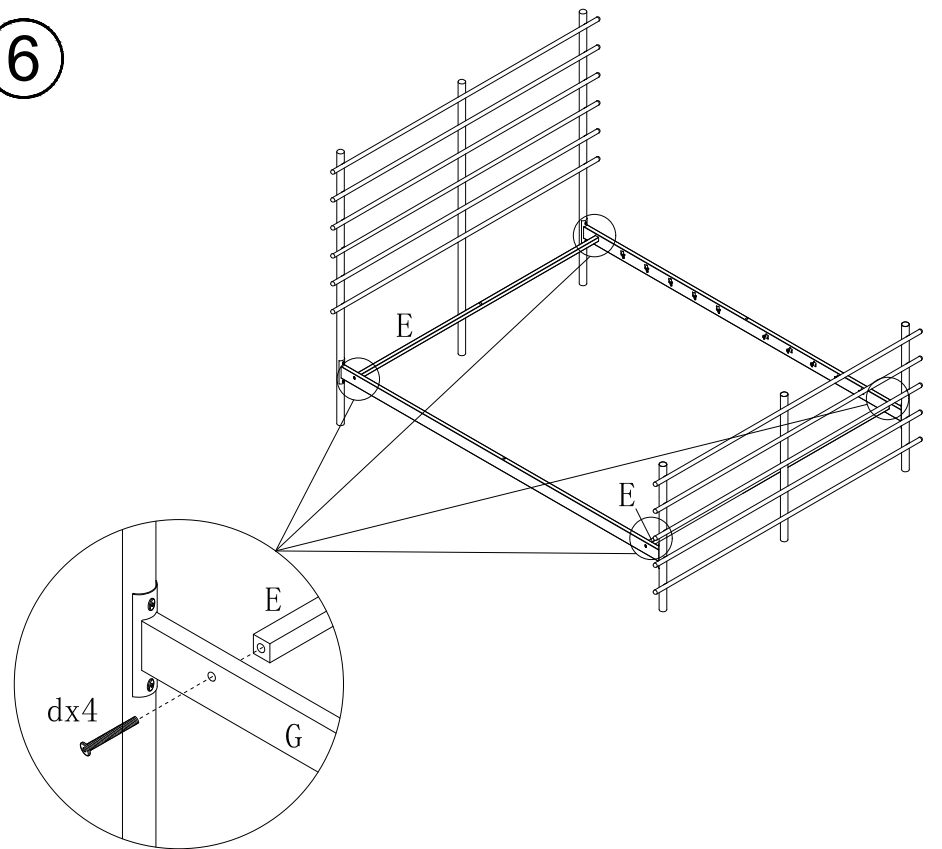
5



Before assembling the mattress tube, please check whether the plastic clip is fastened on the bed beam, as shown in the picture, please fasten it by hand.

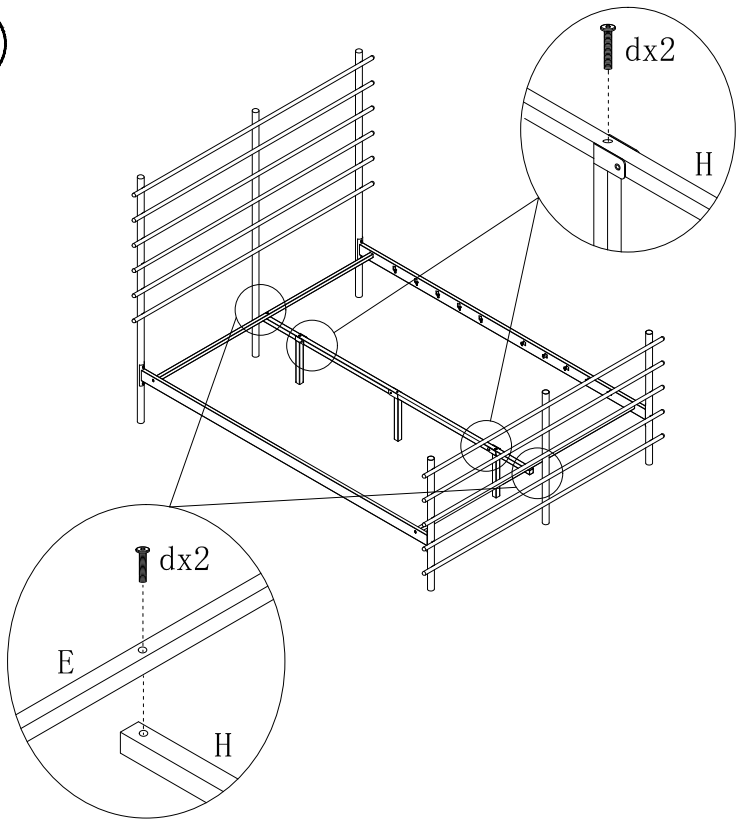


6

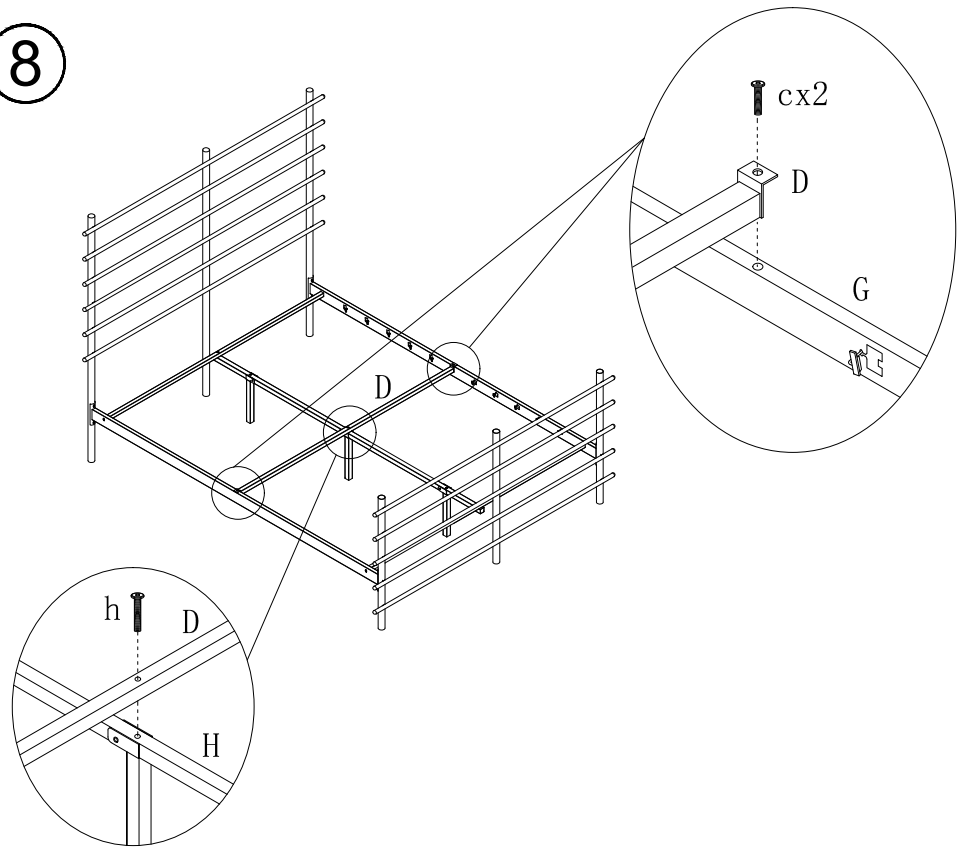


6

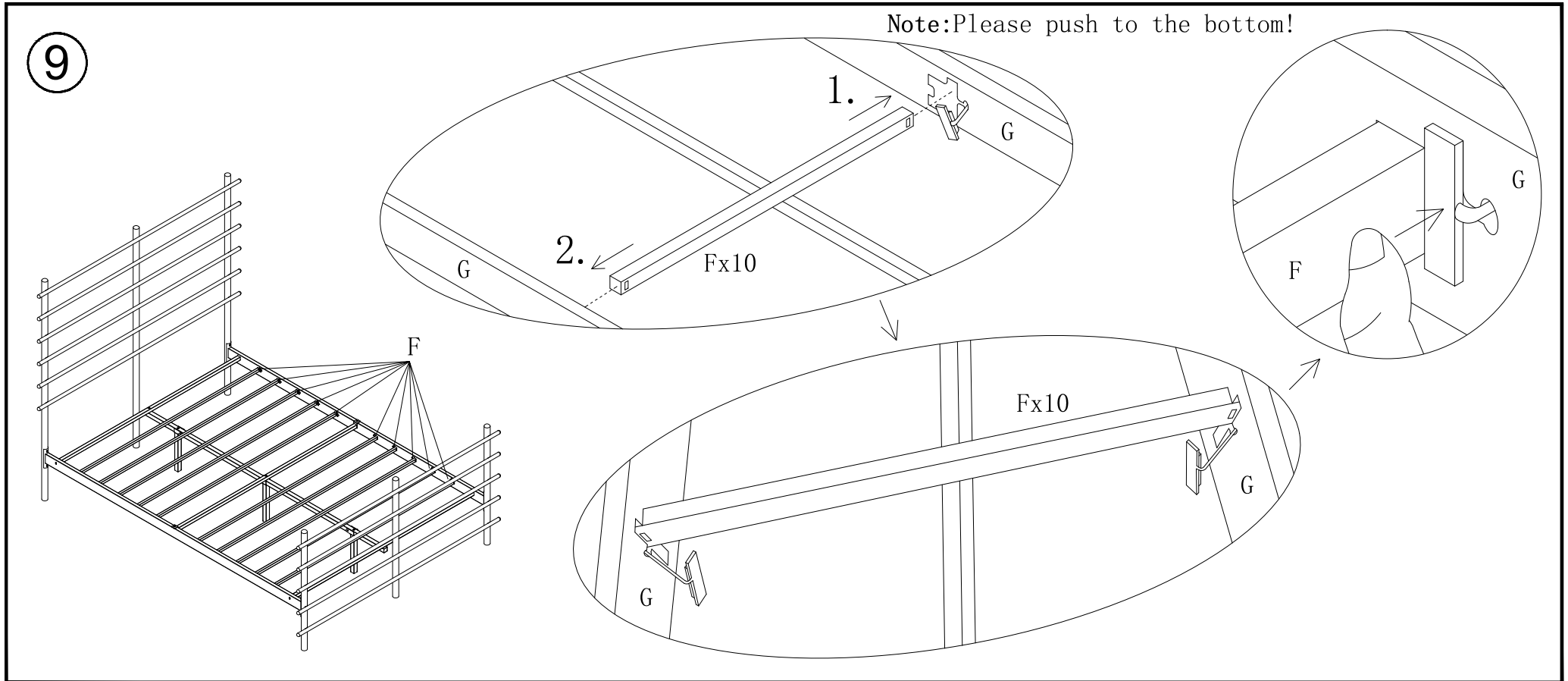
7



8



7



Warranty Information:

We warranty this product to be free from defects in materials. This warranty covers one year from the date of original purchase. If you have any query about bed, please contact our after-sale support email: YOLLEN2019@OUTLOOK.COM