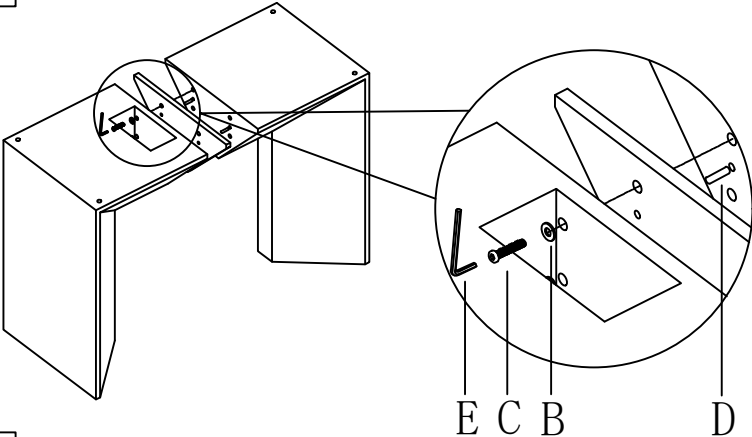
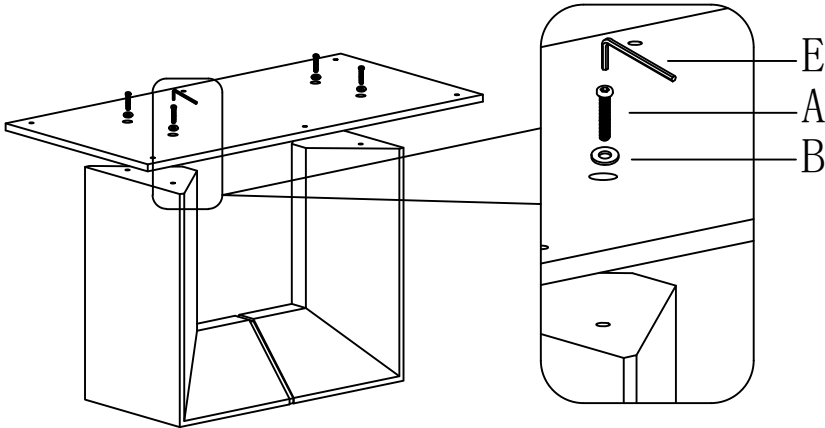


ASSEMBLY INSTRUCTION

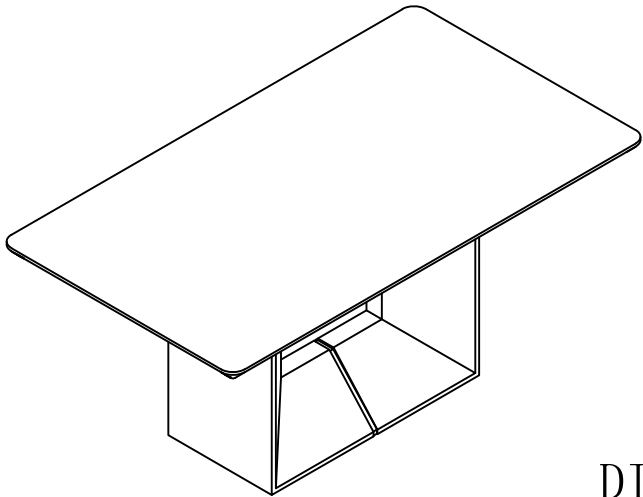
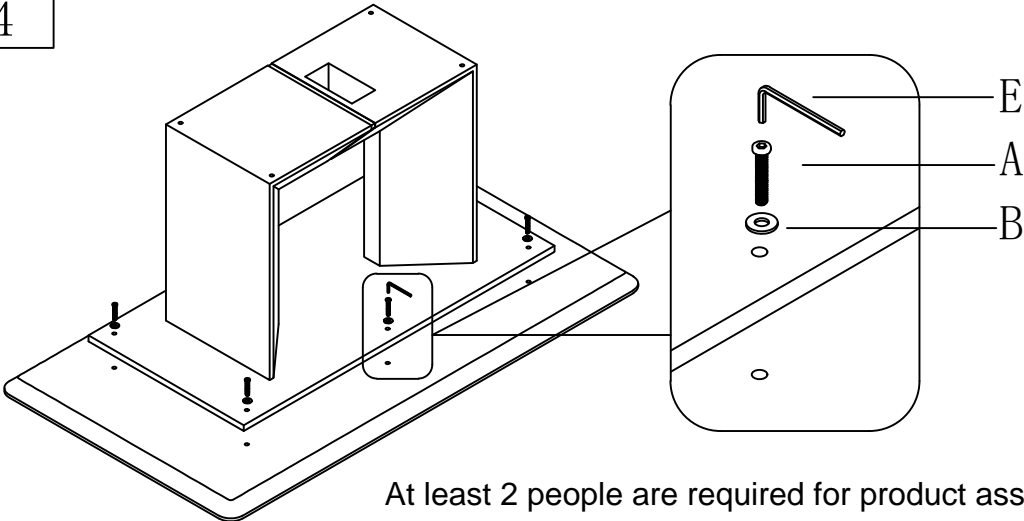
STEP1



STEP2



STEP4



At least 2 people are required for product assembly

DI-89

A


M8*40mm 10pcs


B


14pcs

C


M8*65mm 4pcs

D


2pcs

E


1pc