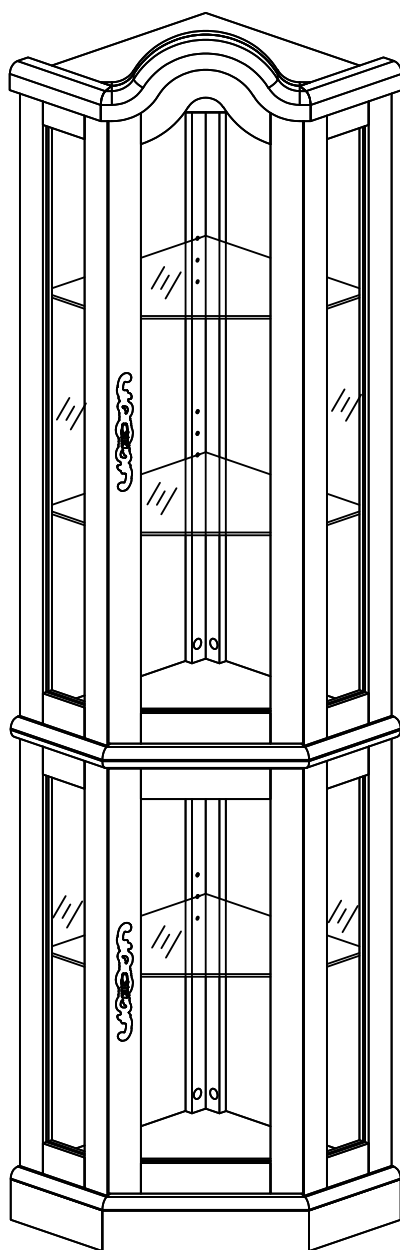
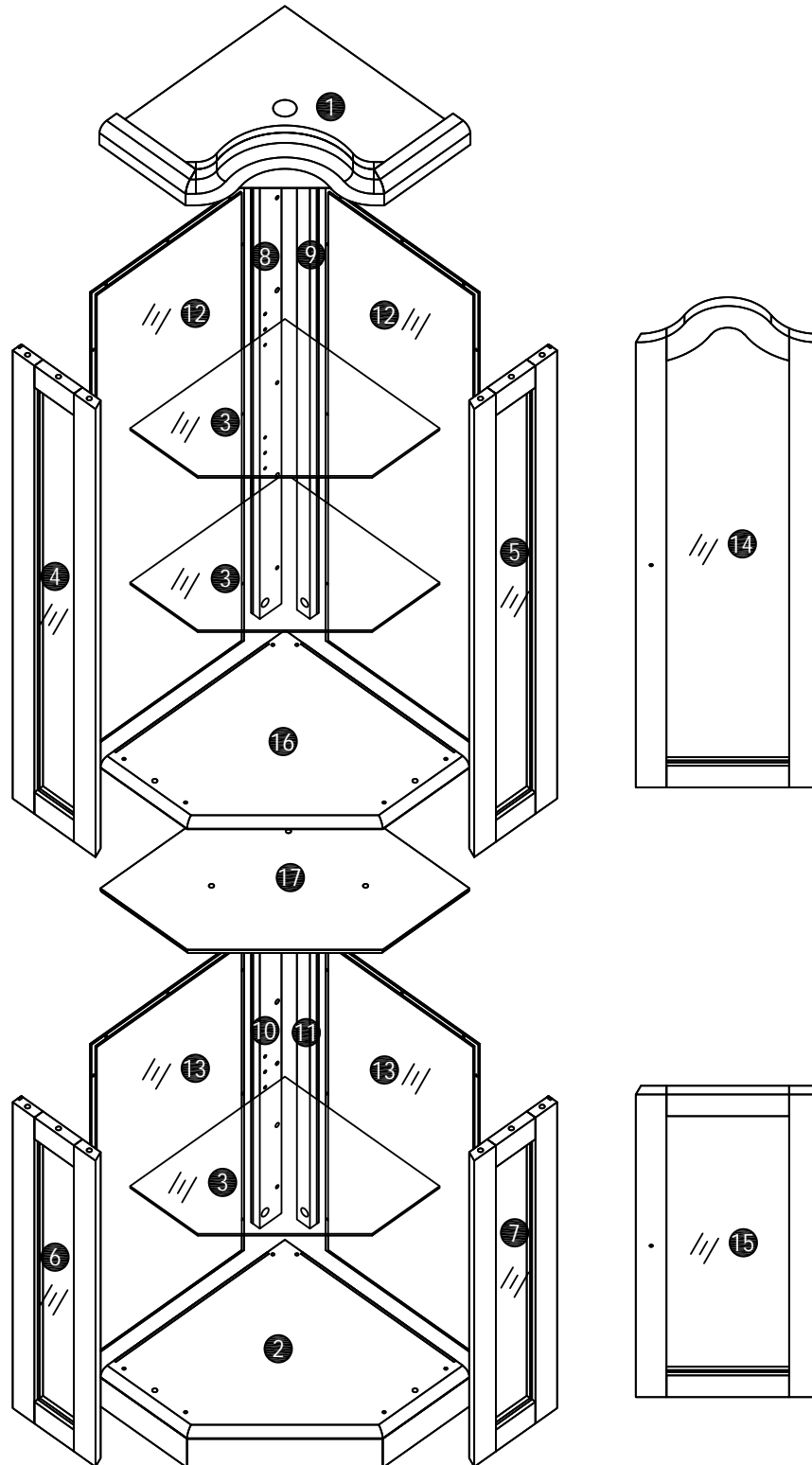


# Corner Glass Cabinet With Frame

## Assembly Instruction

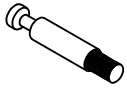


# List of Parts



# Hardware

A x 24+2



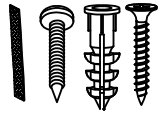
Ø6 x 34mm

B x 24+2



Ø15 x 10mm

C x 2

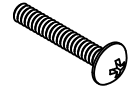


D x 48+2



Ø3.5\*12mm

E x 2

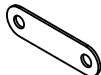


Ø4\*22mm

F x 2



G x 2



H x 24+2



Ø25mm

I x 1



J x 6+1



Ø3.5\*35mm

K x 20



L x 18+1



Ø3.5\*14mm

M x 2



N x 3



O x 3+1



Ø6\*25mm

P x 12+1



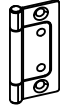
Ø8 x 30mm

Q x 8+1



Ø3\*16mm

R x 4



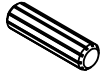
# STEP1

J x 6

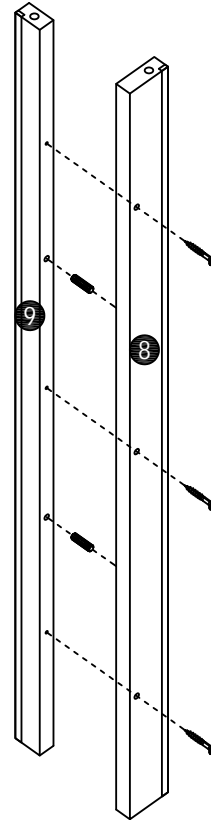
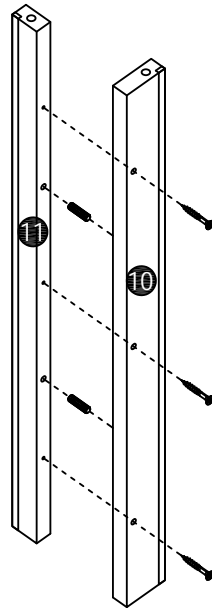


Ø3.5\*35mm

P x 4



Ø8 x 30mm



# STEP2

A x 18



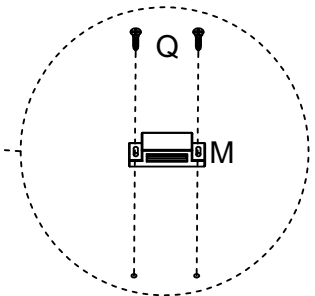
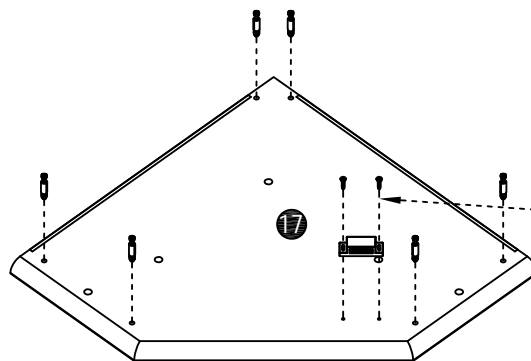
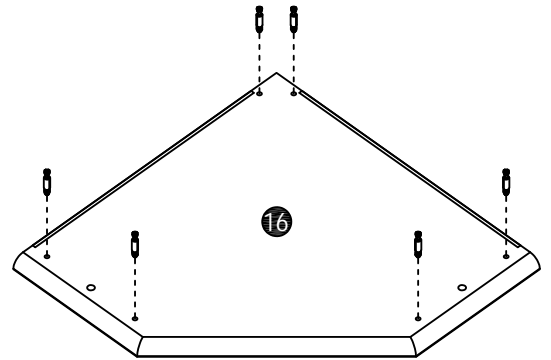
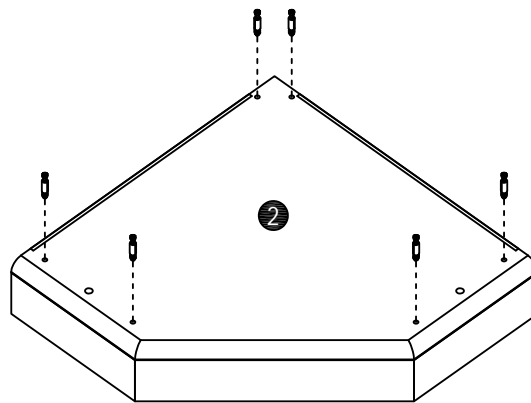
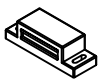
Ø6 x 34mm

Q x 2



Ø3\*16mm

M x 1



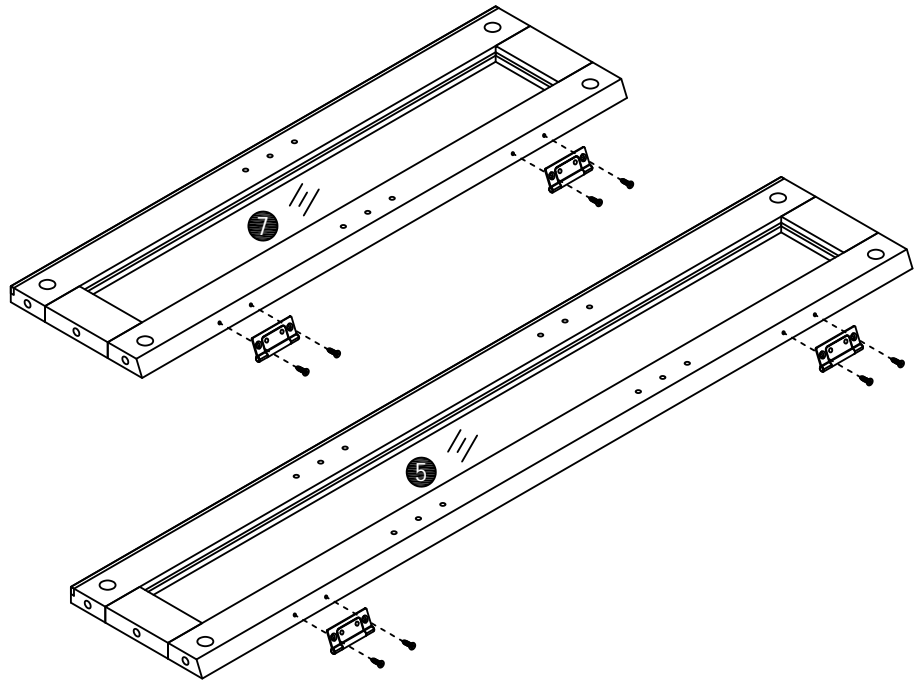
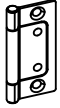
## STEP3

L x 8



Ø3.5\*14mm

R x 4



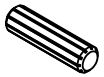
## STEP4

B x 12

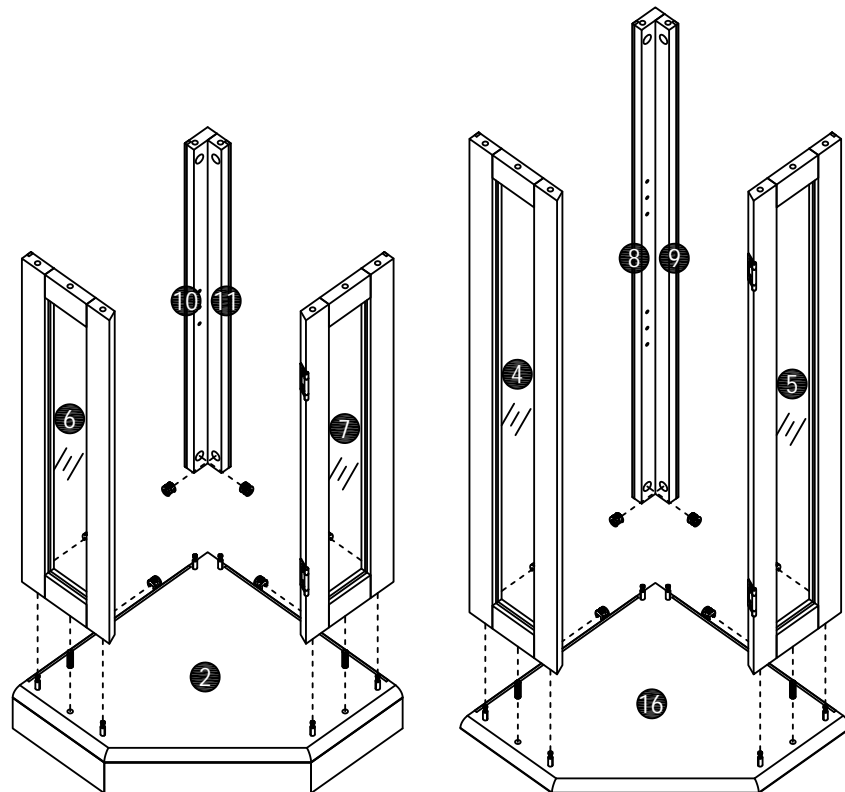


Ø15 x 10mm




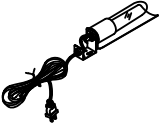
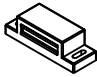
P x 4

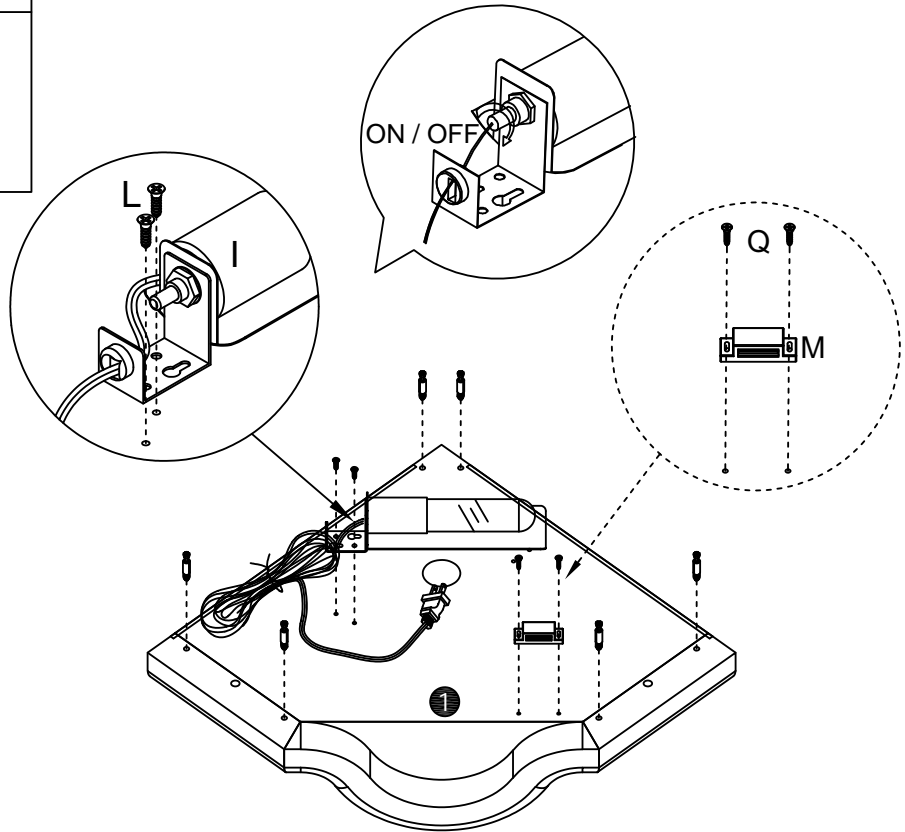


Ø8 x 30mm


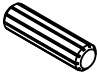


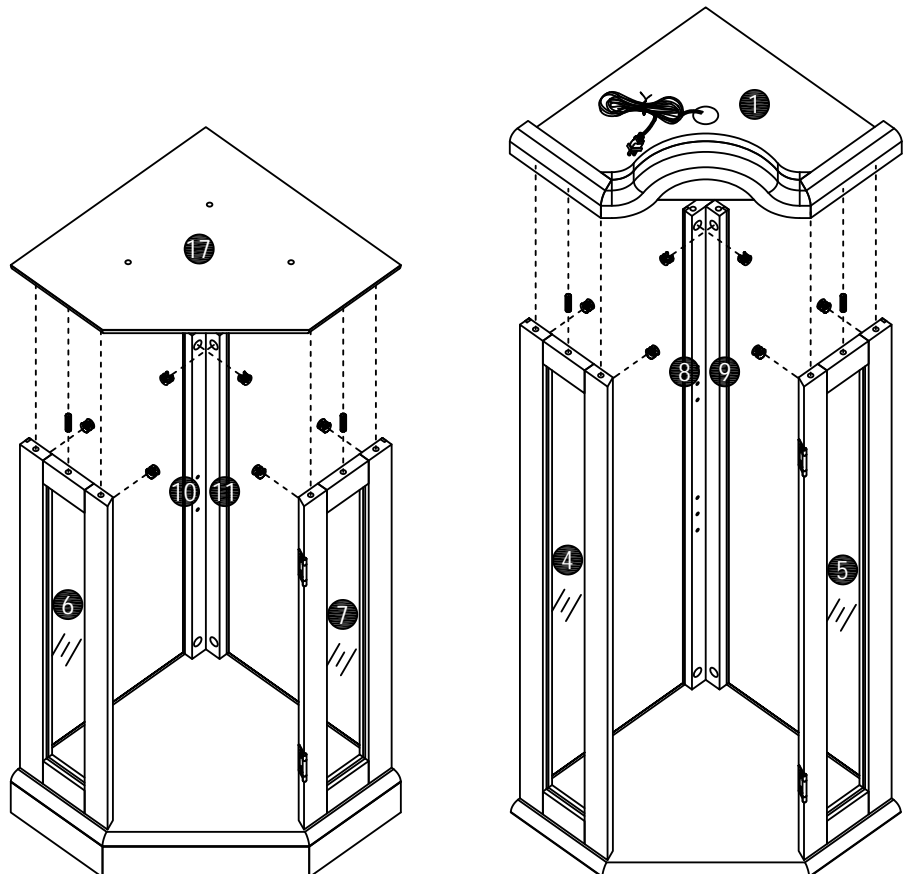
# STEP5

|  |   |
|--|---|
| A x 6  | Q x 2   |
|   |  |
| Ø6 x 34mm  | Ø3*16mm   |
| L x 2  |   |
|   |   |
| Ø3.5*14mm  |   |
| I x 1  |   |
|   |   |
| M x 1  |   |
|  |   |

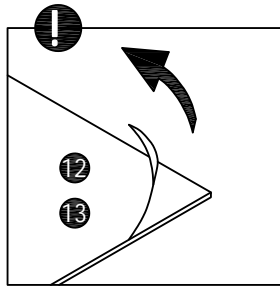
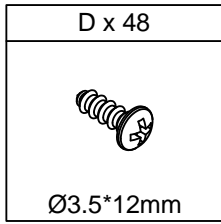


# STEP6

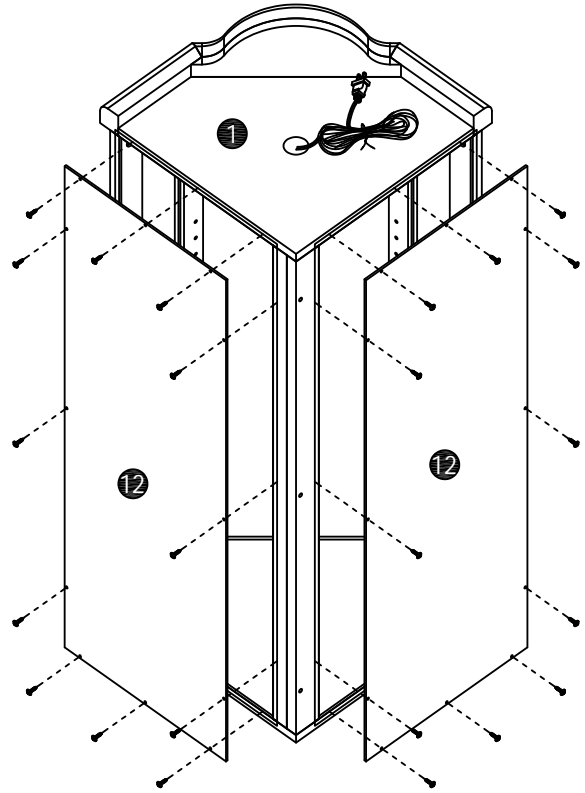
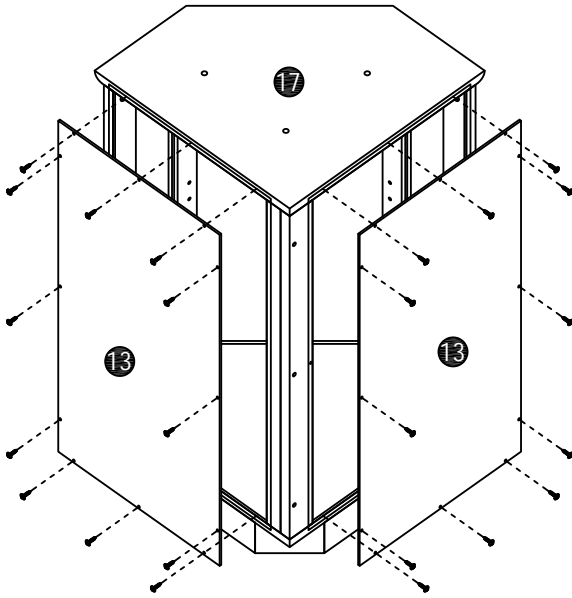
|   |
|---|
| B x 12  |
|  |
| Ø15 x 10mm  |
| P x 4   |
|  |
| Ø8 x 30mm   |



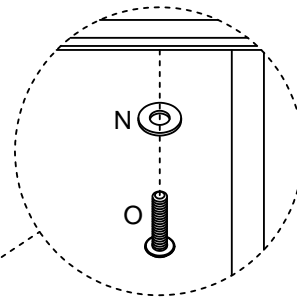
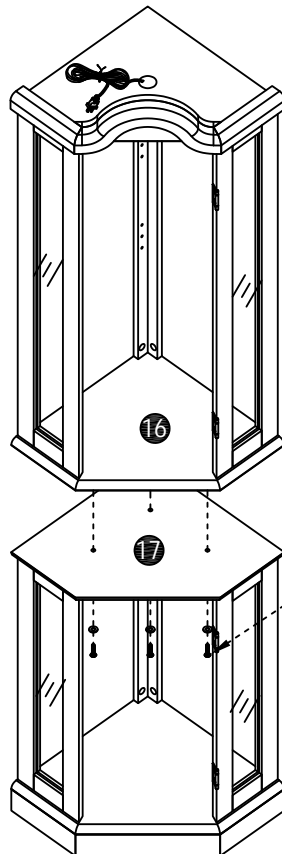
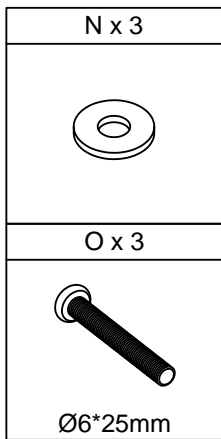
## STEP 7



Remove protective film  
on the mirror panel.



## STEP 8

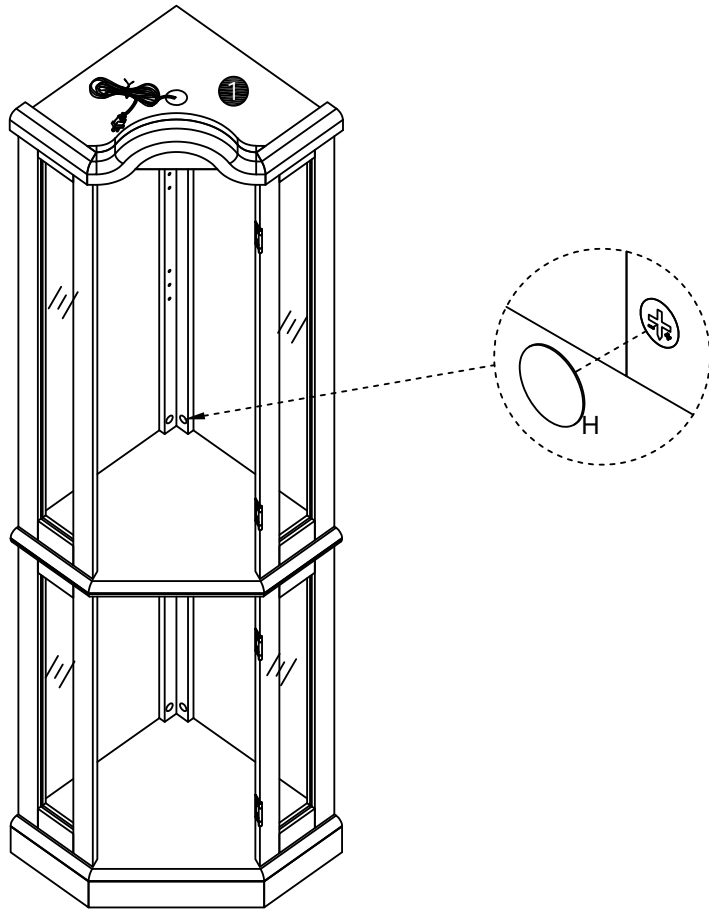


# STEP9

H x 24

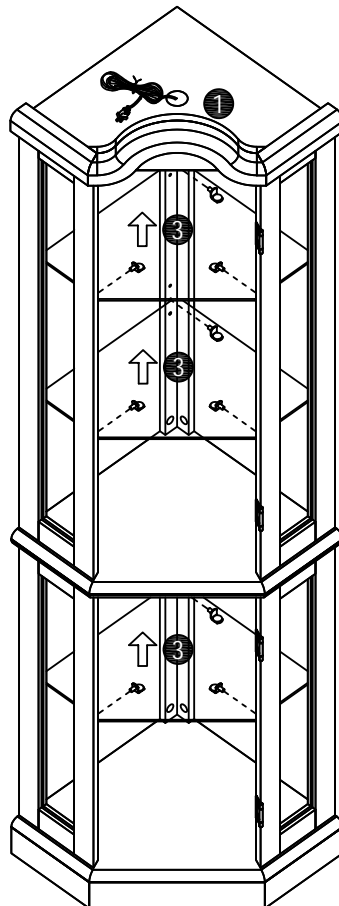


Ø25mm



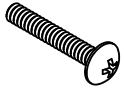
# STEP10

K x 15



## STEP 11

E x 2

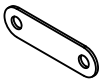


Ø4\*22mm

F x 2



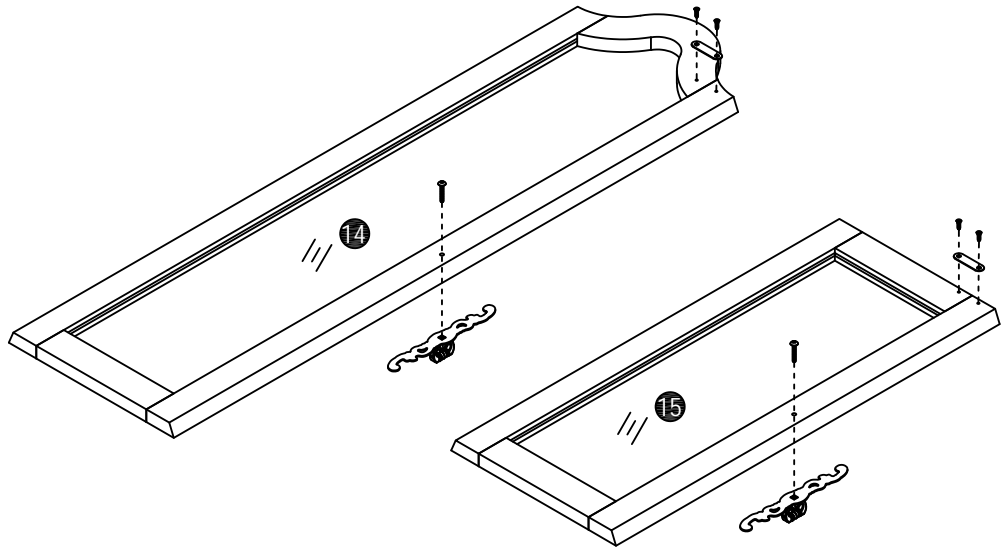
G x 2



Q x 4



Ø3\*16mm

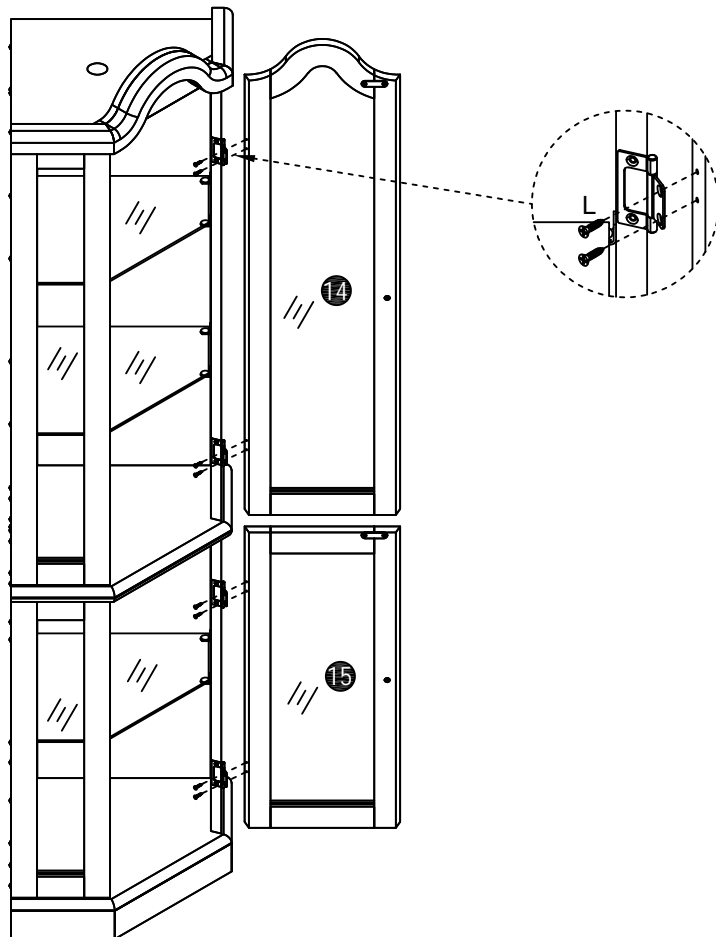


## STEP 12

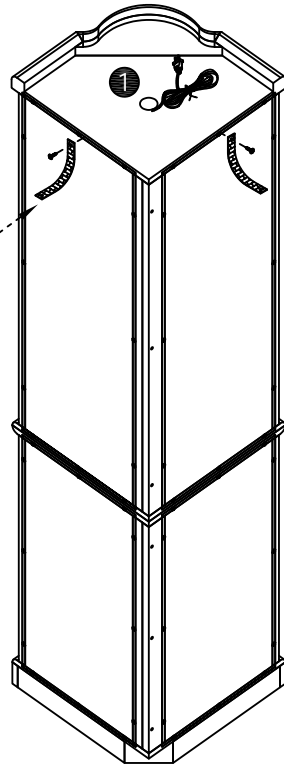
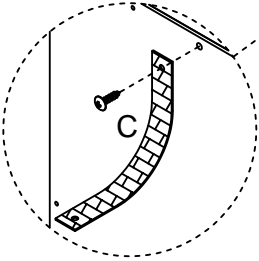
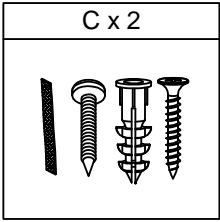
L x 8



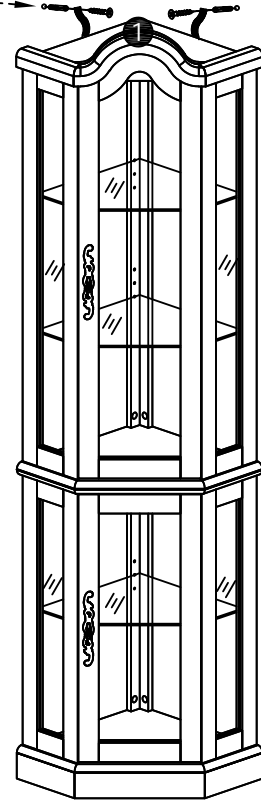
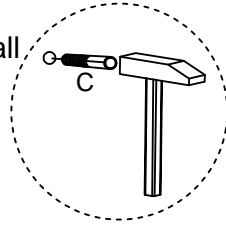
Ø3.5\*14mm



# STEP13



Wall



# STEP14

