











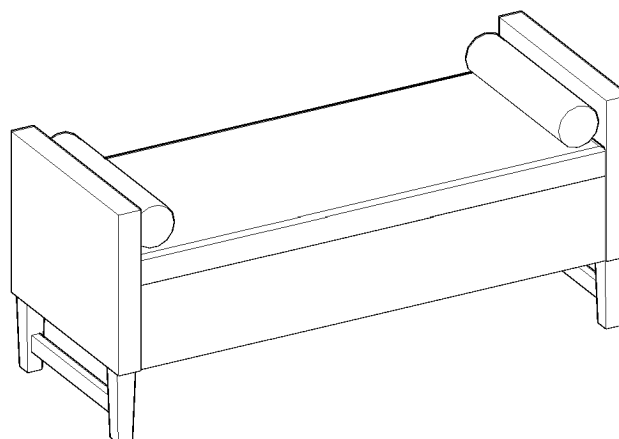
# Assembly Instructions

**Caution : Please read this before proceeding**

## Care & Maintenance

- ⊘  ● For residential use only. Not intended for commercial use.
- ⊘  ● Do not put hot items directly on furniture surface.
- ⊘  ● Do not clean furniture with harsh cleansers or polish.
- ⊘  ● Do not place furniture under direct sunlight.
- ⊘  ● Do not place furniture near heating or cooling vents.
- ⊘  ● Do not write on furniture without a padded barrier to protect the surface.
- ⊘  ● Do not place furniture outside . For indoor use only.
- ⊘  ● Stains may be removed with mild soap solution and damp cloth.
- ⊘  ● Children should not climb or jump on the furniture.
- ✓  ● Dust and pick-up spills using a clean, non-colored, lint-free cloth.

## Storage Bench





## WARNING

### STRANGULATION HAZARD.

NEVER place bed near windows where cords from blinds or drapes may strangle a child.

NEVER suspend strings over bed.

NEVER place items with a string, cord, or ribbon, such as hood strings or pacifier cords, around a child's neck. These items may catch on bed parts.

ALWAYS follow assembly instructions.

### Storage Bench



## WARNING!

Not intended for children under the age of six. INFANTS HAVE DIED FROM BECOMING ENTRAPPED IN BEDS. Openings in and between bed parts can entrap the neck and head of a small child. NEVER use bed for child under the age of six.

The mattress must be appropriately sized for the bed. If the mattress is undersized, dangerous gaps can exist and a person can become entrapped or entangled in the frame and suffocate.

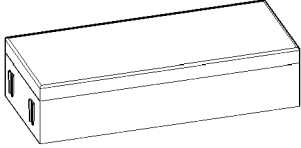
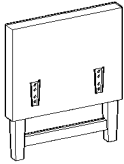
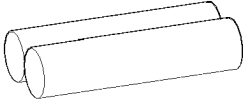
NOTE: This ~~Bed~~ is NOT a TOY.

Keep children away during the assembly process.

This BED is HEAVY.

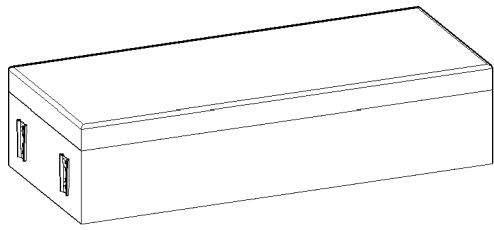
To prevent injury or product damage, at least two adults are required for moving or lifting.

## Parts List

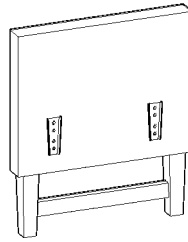
Label	Picture	Description	QTY
A		Storage Bench	1
B		Arm	2
C		Pillow	2

# Assembly Preparation

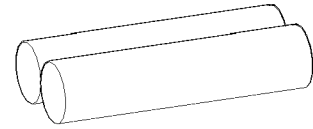
Before Beginning Assembly:



A



B



C



- Read instructions, cover to cover-



- Have 2 adults on hand for assembly-



- Do not assemble on flooring or carpet-



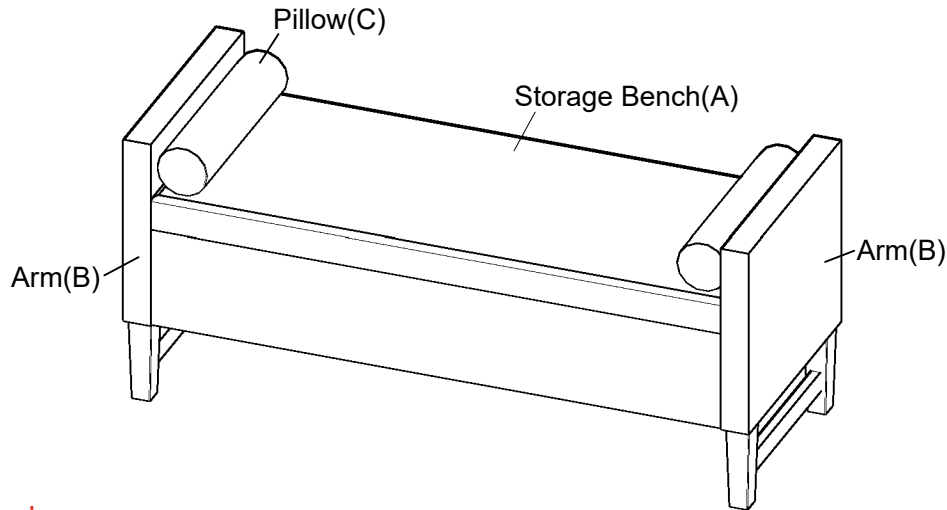
- Assemble on a clean non-marring surface (packing foam)-



- Save all packaging until finished-

# Assembly Steps

## Overview

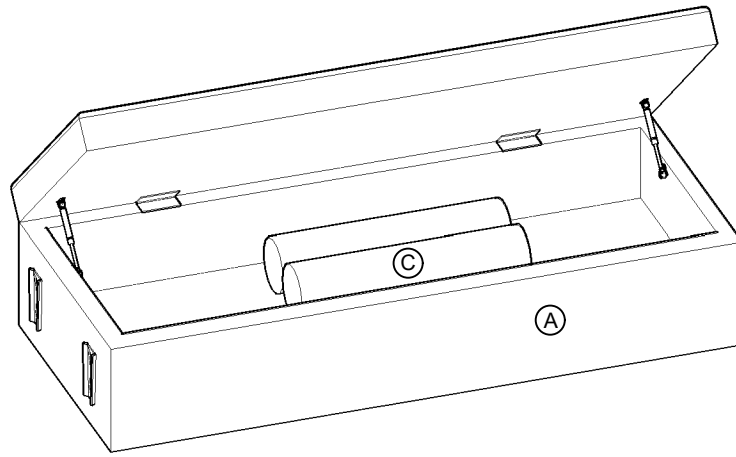


Storage Bench

FRONT FACING

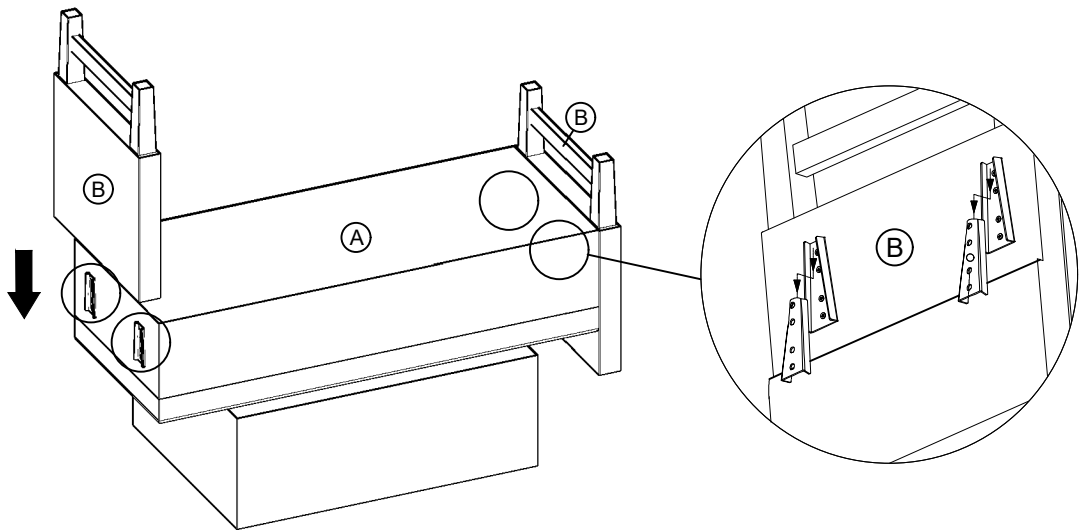
This ~~Bed~~ has multiple parts and may require up to 30 minutes to assemble. To give you an overview of the ~~Bed~~ parts, the above picture is provided to help you put the various parts into perspective. Please read through the instructions below to familiarise yourself with the parts and steps before assembly.

Step 1



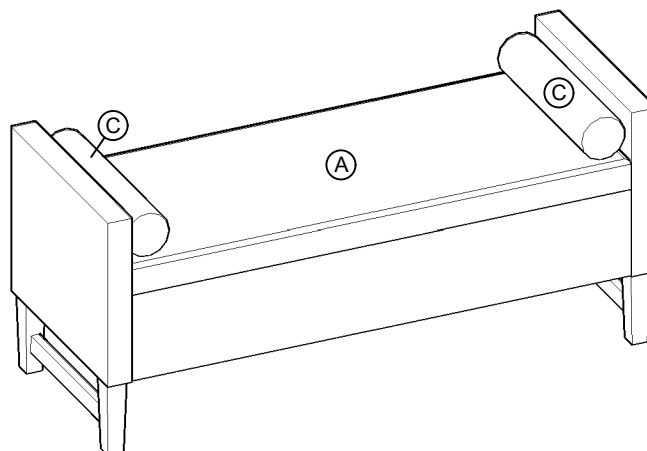
Pillow(C) inside the Storage Bench (A).

Step 2



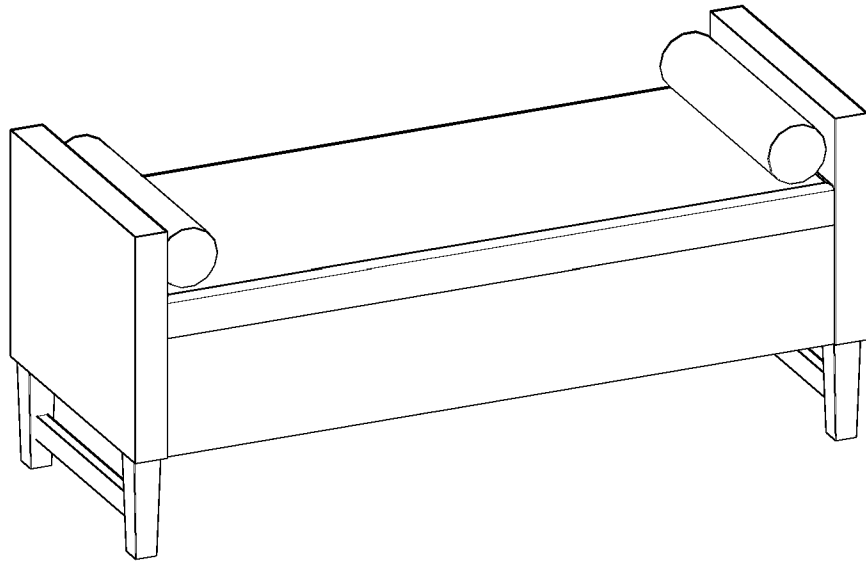
Attach the Arm(B) to Storage Bench (A) Make sure Bracket aligns together when assembling.

Step 3



Attach the Pillow(C) put on to Storage Bench (A).

## Step 4



### Storage Bench

Place the ~~Bed~~ on a LEVEL SURFACE.

Inspect it and make sure all parts are adequately connected.

**Do not push too hard, shake on the ~~bed~~.** Storage Bench

This would help to align all the parts at all the joint areas.

**CAUTION 1: Tighten the screws in sequence.**

**DO NOT fully tighten one screw before moving to the next, as this may cause the frame to warp.**

**If the bed still wobbles, loosen the screws and repeat the process. DO NOT fully tighten any screw before moving to the next one.**

**WARNING!! IF ~~BED~~ IS NOT STABLE , IT COULD LEAD TO DAMAGING THE PRODUCT.**

Storage Bench  
Ensure all screws are fully locked into position.

The bed is ready to be used.

**Caution 2: This bed can only be used on a flat, level surface.**