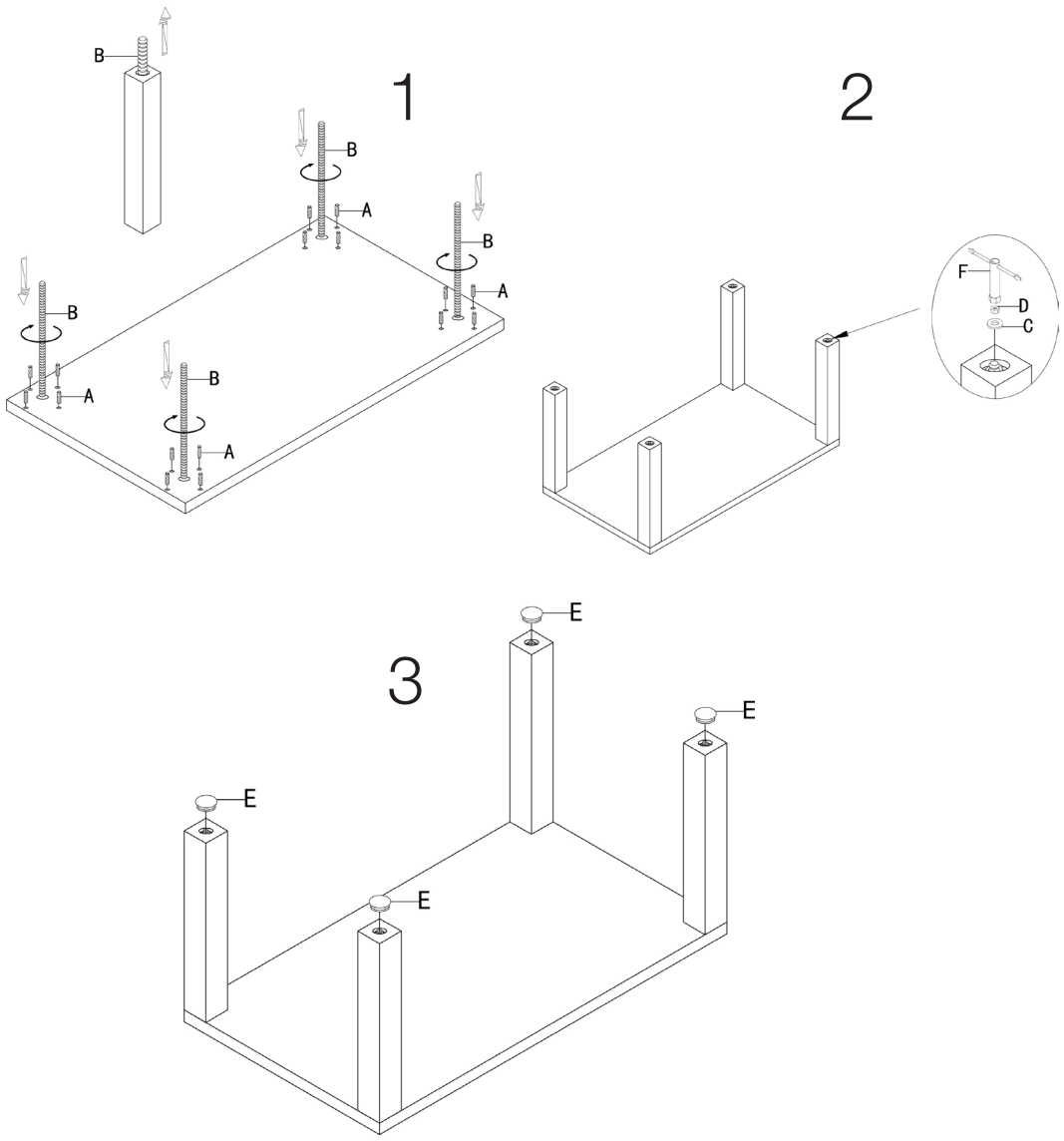





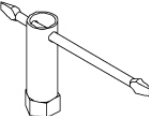


PLEASE NOTE: Check that you have received all components and hardware before assembling.

Assembly Instructions

Dining Table



- A (8 pcs)  10 x 30mm
- B (4 pcs)  10 x 723mm
- C (4 pcs)  M35 x 2mm
- D (4 pcs)  M10mm
- E (4 pcs)  M50 x 15mm
- F (1 pc)  M10mm

During assembly, hand tighten screws only. When all screws are in place, then tighten completely.