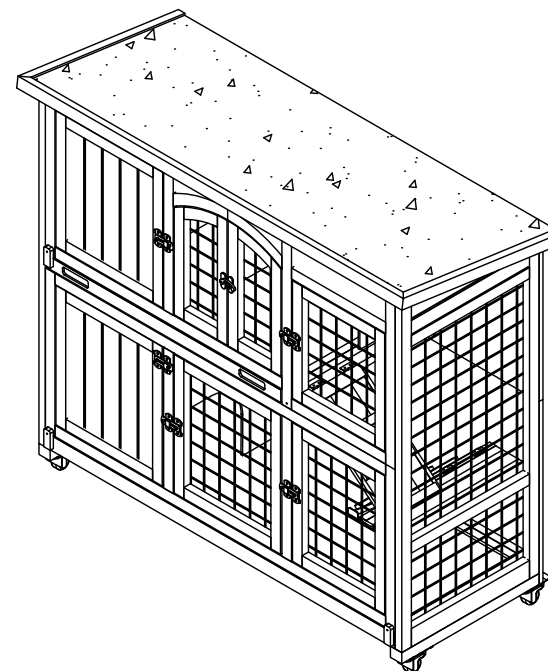


ASSEMBLY INSTRUCTIONS
PLEASE RETAIN THESE INSTRUCTIONS FOR FUTURE USE



TIME ASSEMBLE : 40-70 minutes



NUMBER OF PERSON: 2

Greeting!
So here I am

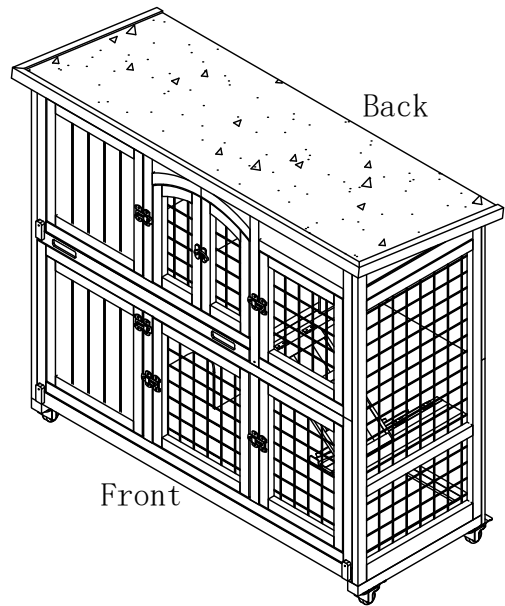
your new pet house

- ▶ Thanks for letting me be a home for your furry friend(s).
- ▶ They'll be cozy and protected from the weather when they're with me.
- ▶ Just remember to take care of me too, so I can last a long time.
- ▶ When you first get me, you might smell a funny smell. Don't worry it's not dangerous.
- ▶ Just let me air out for a few days and the smell will go away.
- ▶ Be careful when you're putting me together because some of my parts can be sharp or heavy.
- ▶ Make sure to start by loosely putting in screws, and then tighten them all before using me.
- ▶ If you notice anything broken or missing, stop using me until it's fixed. and please follow the instructions from the maker so your warranty stays good.
- ▶ You can use me both inside and outside, but if you put me outside, make sure to give me an extra cover to keep me from getting moldy.
- ▶ I like to be on a level surface so my doors work smoothly.
- ▶ Keep me away from fire and dangerous chemicals.
- ▶ Clean me with a damp, soapy sponge without corrosive agents.
- ▶ Dry me with a soft, clean, dry cloth.
- ▶ Do not use a high pressure cleaner on me.
- ▶ Do not use bleach, acids, solvents, or abrasive cleaners on me.
- ▶ Check that all my bolts, screws, and knobs are tight every 90 days.

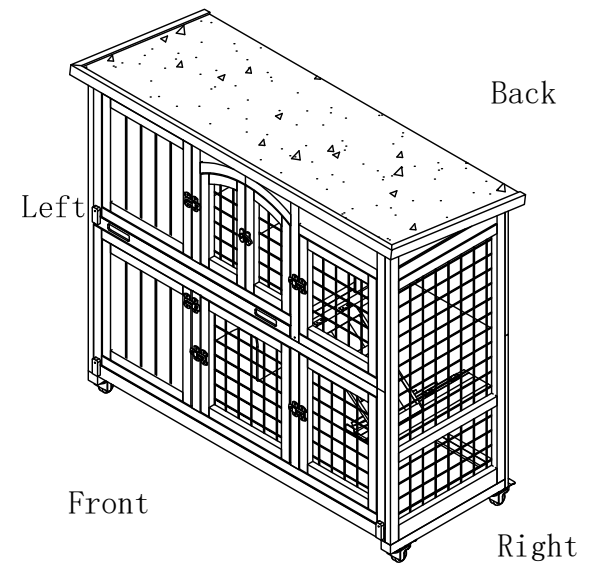
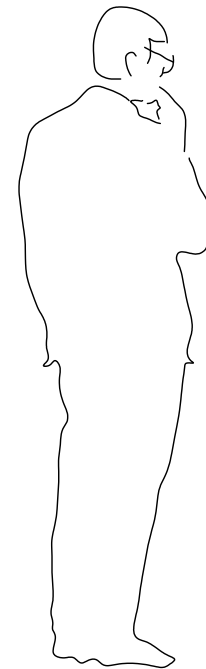


HELP CENTER

- ▶ Your full satisfaction is our **FIRST** priority
- ▶ We hope you enjoy it and have a good shopping experience.
- ▶ We are committed to resolve any situation when it does not meet your expectations.
- ▶ Please feel free to contact us through order detail page, we will get back to you and solve them within 24 hours.

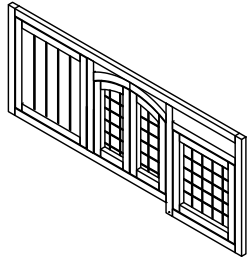


STEP 22

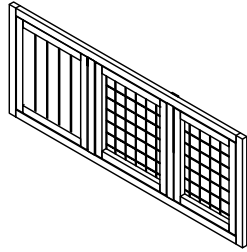


ASSEMBLY INSTRUCTION

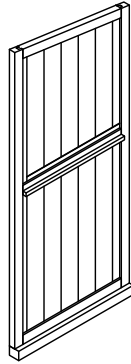
Tool Required:  Electric Drill  Phillips Screwdriver



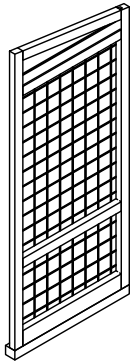
① Front upper panel



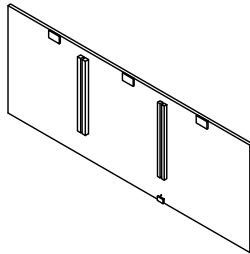
② Front down panel



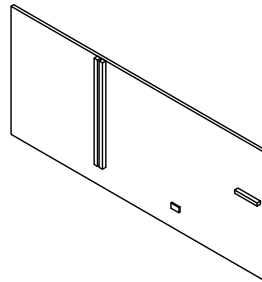
③ Left panel



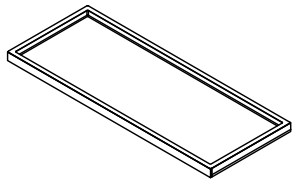
④ Right panel



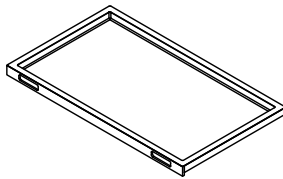
⑤ Back upper panel



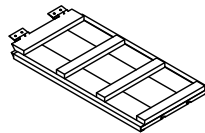
⑥ Back down panel



⑦ Down tray

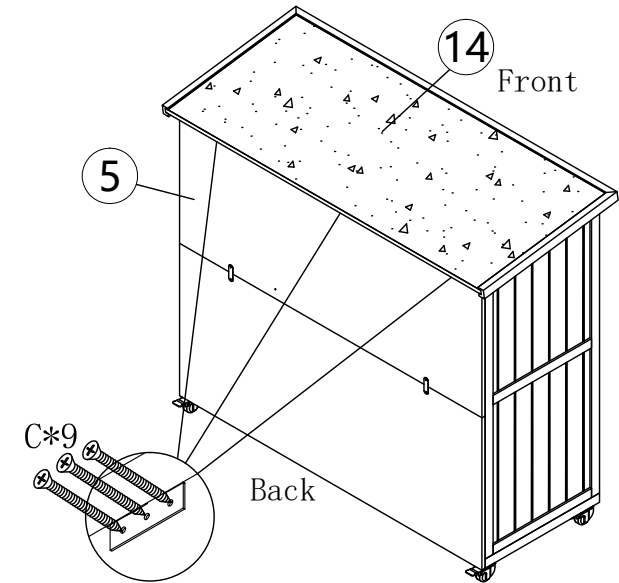


⑧ Upper tray



⑨ *2 Ramp

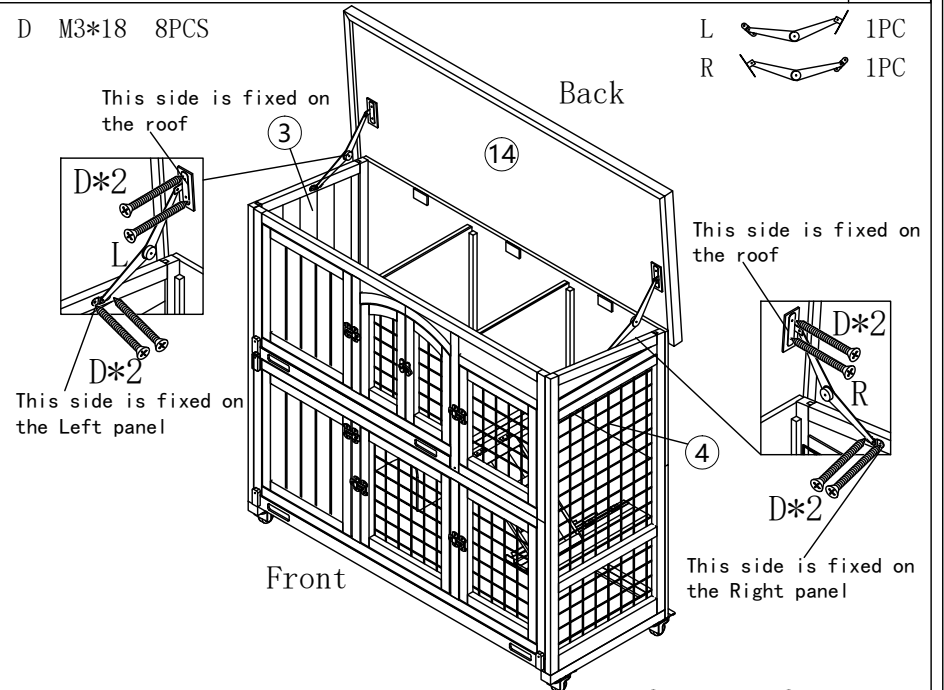
C M3*16 9PCS



Fix ⑭ Roof with hinge and screws on ⑤ Back upper panel with screws.

STEP 20

D M3*18 8PCS

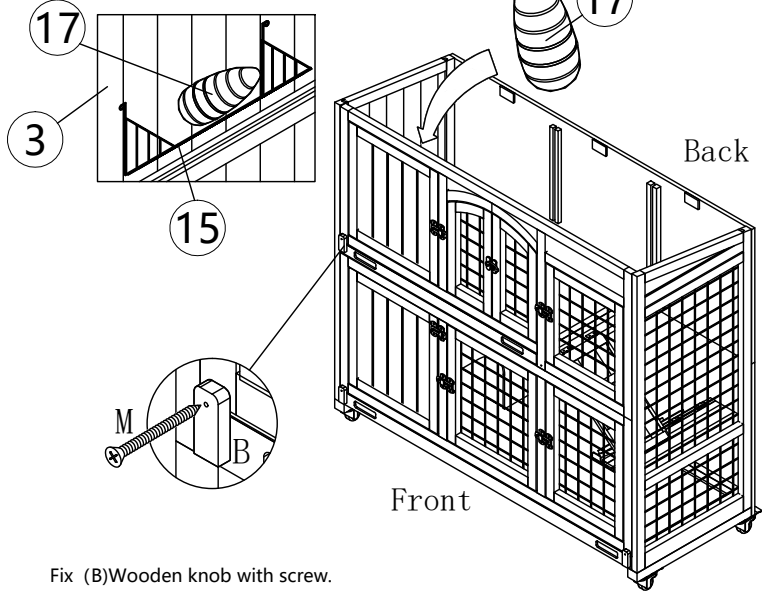


Fix (L) Left metal supporter and (R) Right metal supporter to ③ Left panel, ④ Right panel, ⑭ Roof respectively with screws.

STEP 21

M M3*25 1PC

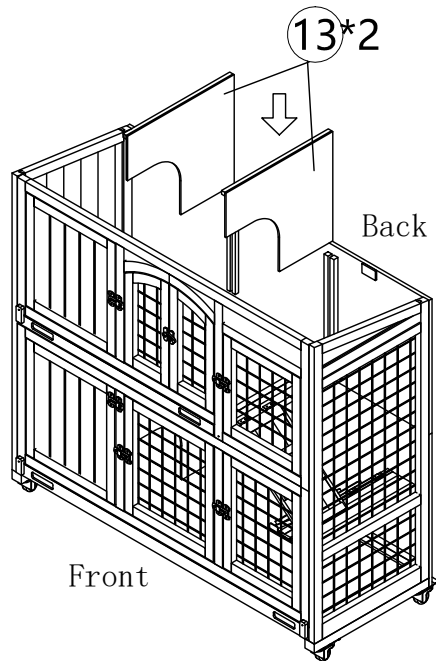
B  1PC



Fix (B) Wooden knob with screw.

Put in 17 Chew stick.

STEP 19

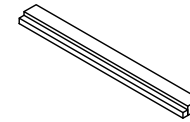


STEP 20

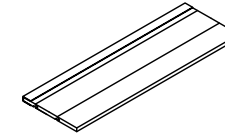
Insert 13 *2 Upper divider panel .

ASSEMBLY INSTRUCTION

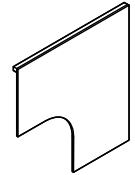
Tool Required:  Electric Drill  Phillips Screwdriver



10 Supporter



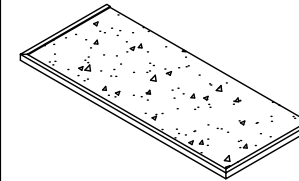
11 Layer panel



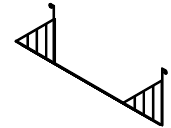
12 Down divider panel



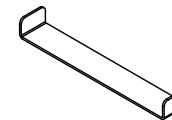
13*2 Upper divider panel



14 Roof



15 Feeder



16 Metal supporter of ramp










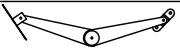

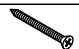
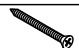
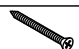
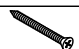
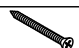


17 Chew stick

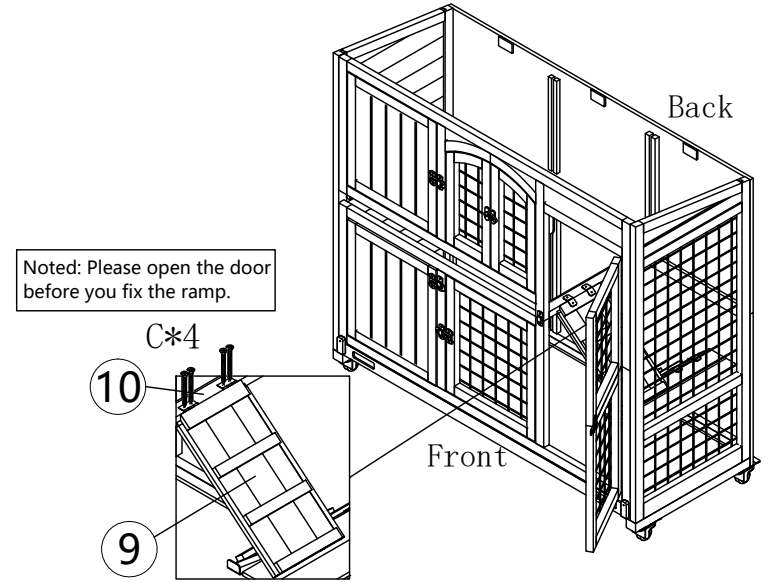
ASSEMBLY INSTRUCTION

Tool Required:  Electric Drill  Phillips Screwdriver

Parts Description

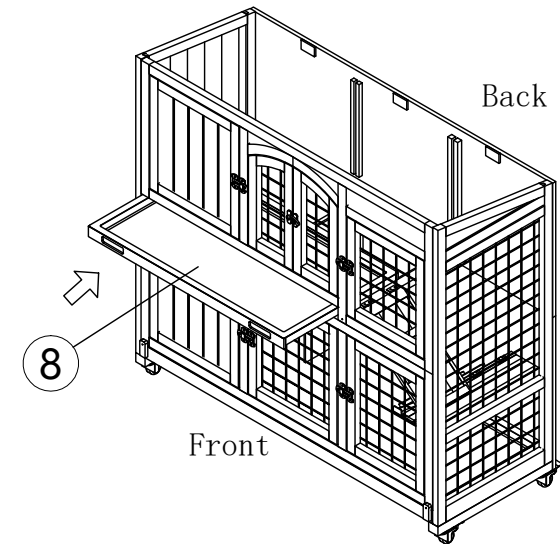
	A M4*45	10PCS+1
	B 	3PCS
	C M3*16	41PCS+1
	D M3*18	10PCS+1
	E 	1PC
	F 	5PCS
	G 	2PCS
	H 	4PCS
	I 	1PC
	R 	1PC
	L 	1PC
	J M3*12	6PCS+1
	K M3*35	8PCS+1
	M M3*25	3PCS+1
	N M3*23	3PCS+1
	O M4*50	1PC+1

C M3*16 4PCS



Fix ⑨ Ramp on ⑩ Supporter with screws.

STEP 17

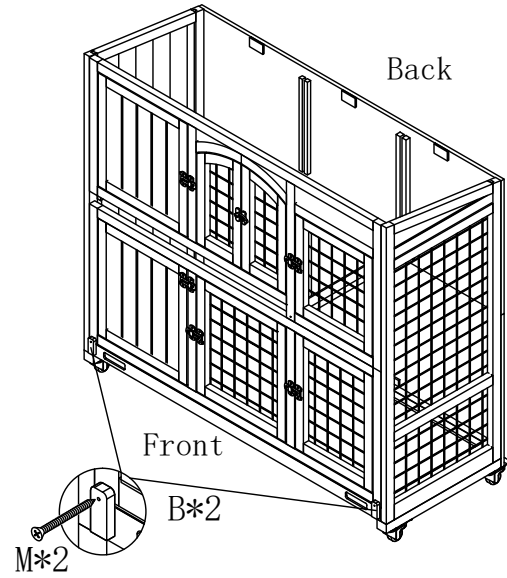


Insert ⑧ Upper tray.
The tray which with hand groove is facing outward.

STEP 18

M M3*25 2PCS

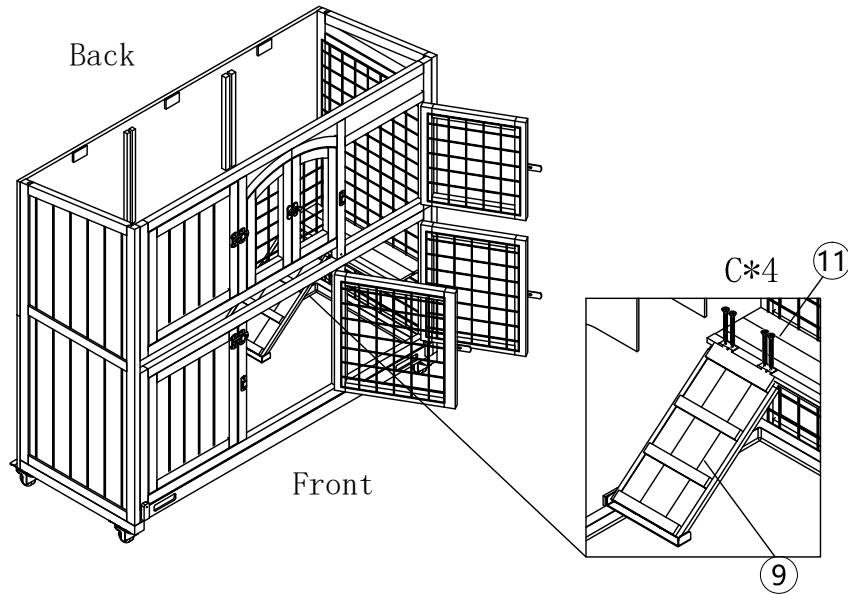
B  2PCS



Fix (B) *2 Wooden knobs with screws.

STEP 15

C M3*16 4PCS

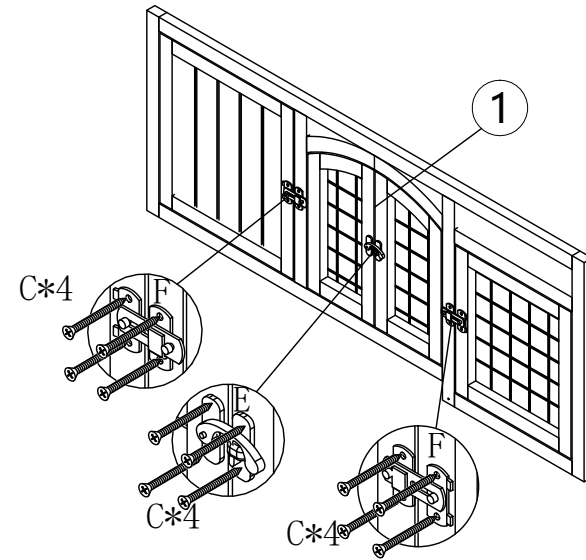


Fix ⑨ Ramp on ⑪ Layer panel with screws.

STEP 16

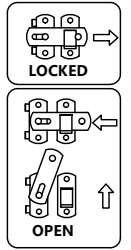
C M3*16 12PCS

E  1PCS
F  2PCS



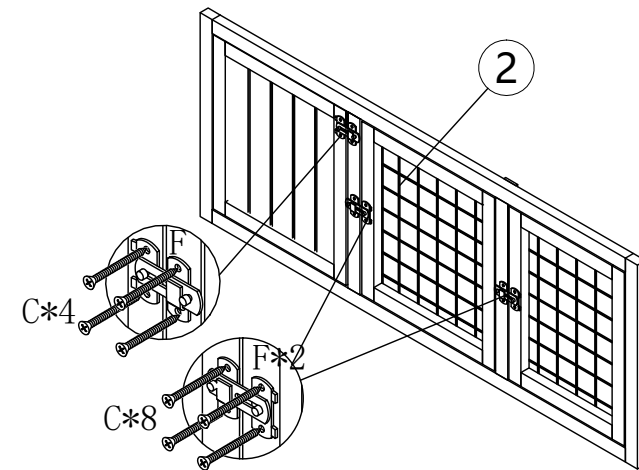
Fix (F)*2 Bolts, Fix (E) Lock on ① Front upper panel with screws.

STEP 1



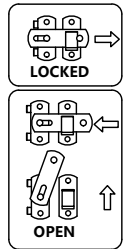
C M3*16 12PCS

F  3PCS

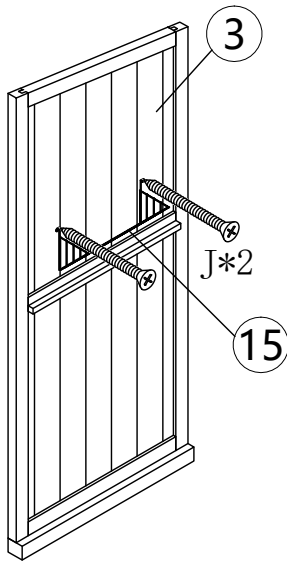


Fix (F)*2 Bolts on ② Front down panel with screws.

STEP 2



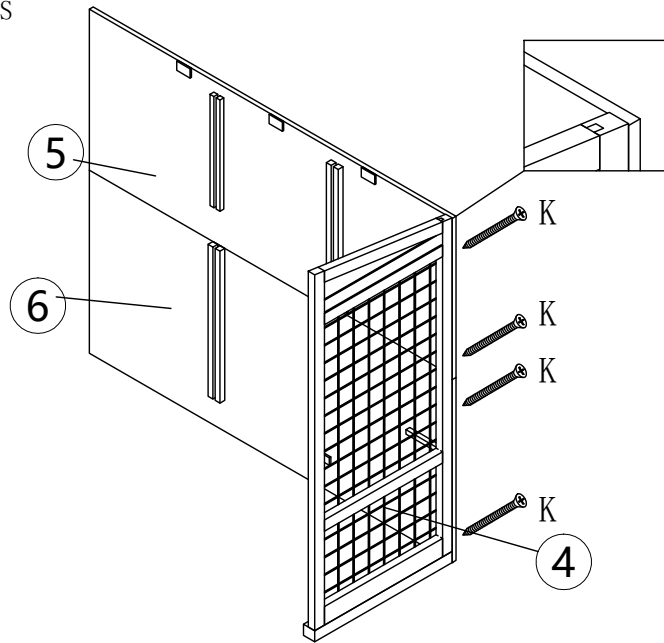
J M3*12 2PCS



STEP 3

Fix ⑮ Feeder on ③ Left panel with screws.

K M3*35 4PCS

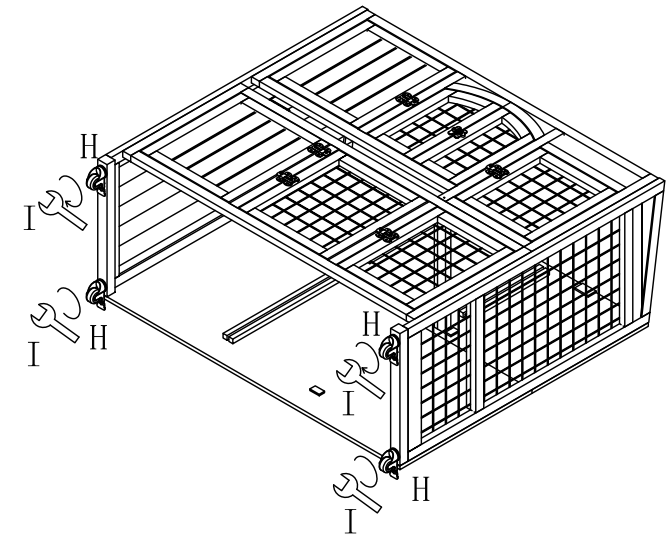


STEP 4

Fix ④ Right panel , ⑤ Back upper panel , ⑥ Back down panel together with screws.

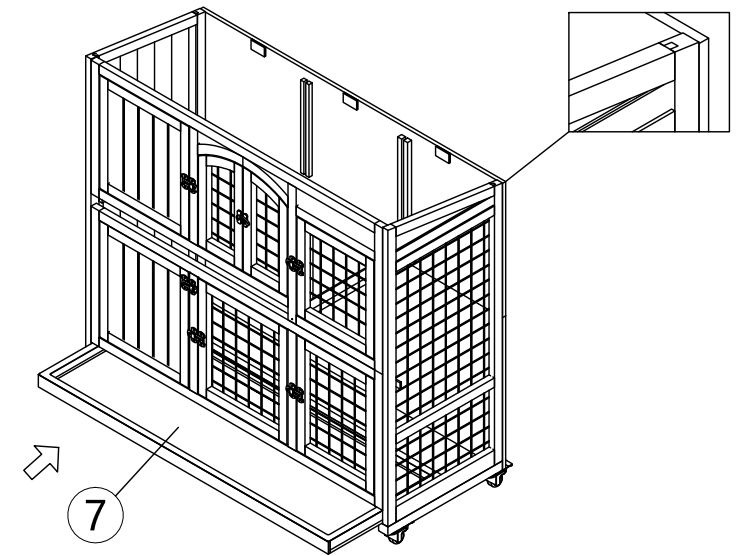
I 1PC

H 4PCS



Put the rabbit hutch flat , Fix (H)*4 Wheelie with (I) spanner.

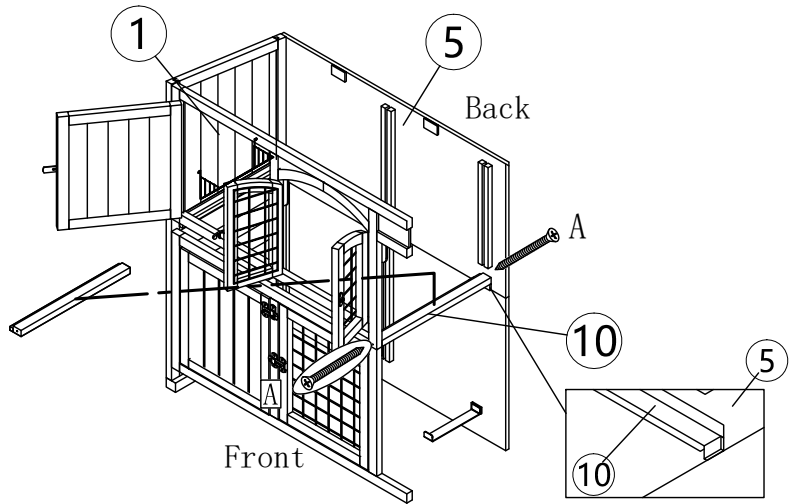
STEP 13



Insert ⑦ Down tray.
The tray which with hand groove is facing outward.

STEP 14

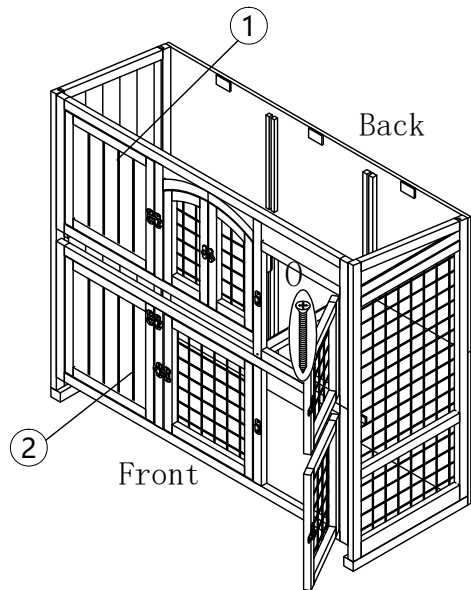
A M3.5*45 2PCS



Open the door, Fix ⑩ Supporter between the ① Front upper panel and ⑤ Back upper panel with screws.

STEP 11

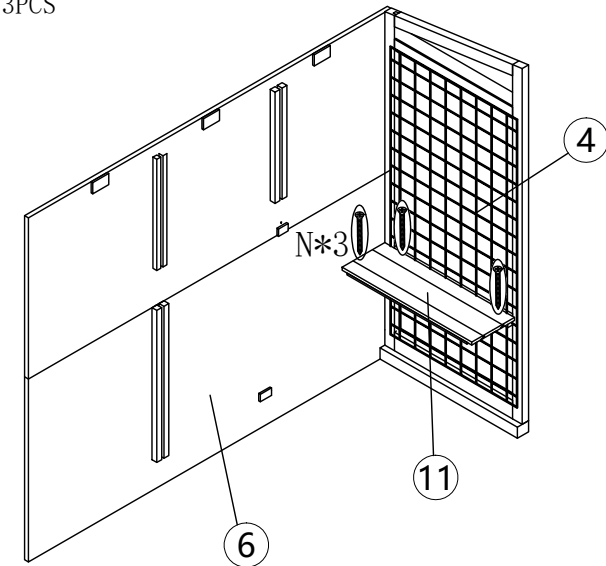
O M4*50 1PC



Open the right side door of ① Front upper panel and ② Front down panel, Fix ① Front upper panel and ② Front down panel with screws.

STEP 12

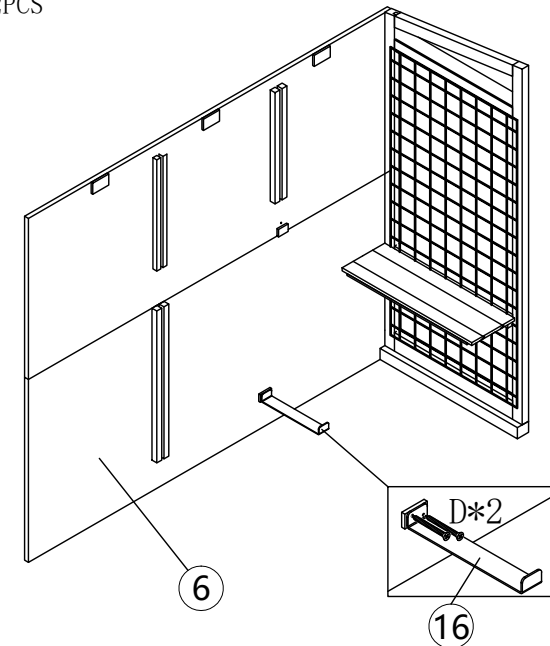
N M3*23 3PCS



Fix ⑪ Layer panel on ④ Right panel and ⑥ Back down panel with screws.

STEP 5

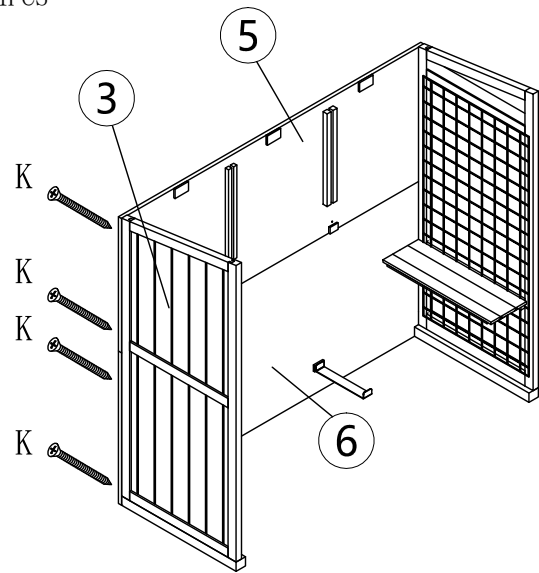
D M3*18 2PCS



Fix ⑯ Metal supporter of ramp on ⑥ Back down panel with screws.

STEP 6

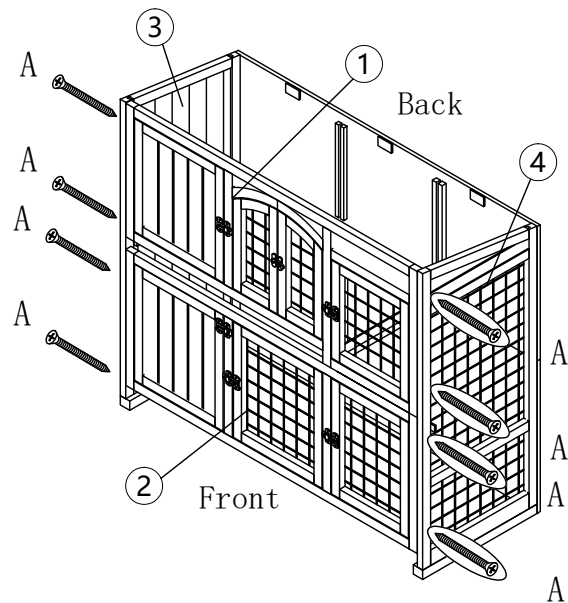
K M3*35 4PCS



Fix ③ Left panel to ⑤ Back upper and ⑥ Back down panel with screws.

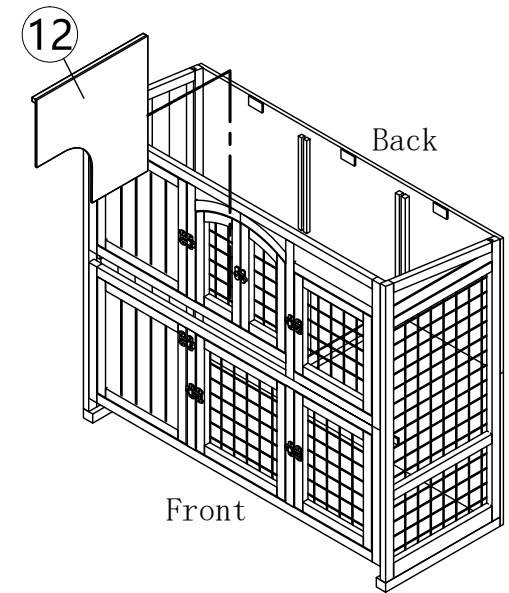
STEP 7

A M3.5*45 8PCS



Fix ① Front upper panel, ② Front down panel to the ③ left right panel and ④ right panel respectively with screws.

STEP 8

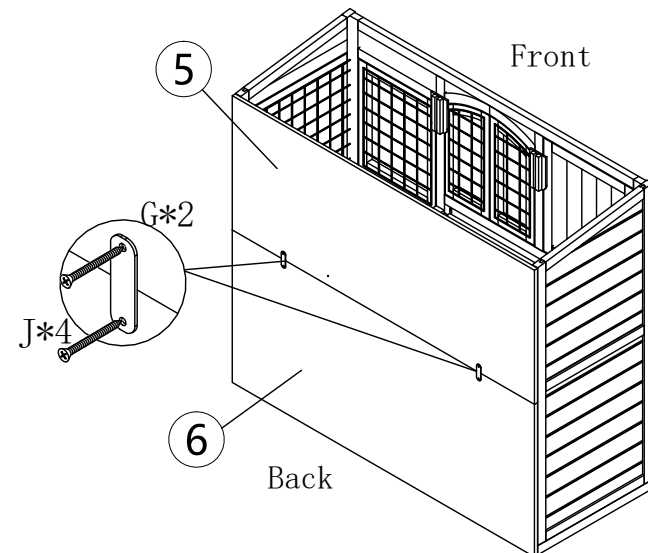


Insert ⑫ Down divider panel.

STEP 9

G 2PCS

J M3*12 4PCS



Connect ⑤ Back upper panel and ⑥ Back down panel with (G)*2 Metal connectors, then fix with screws.

STEP 10