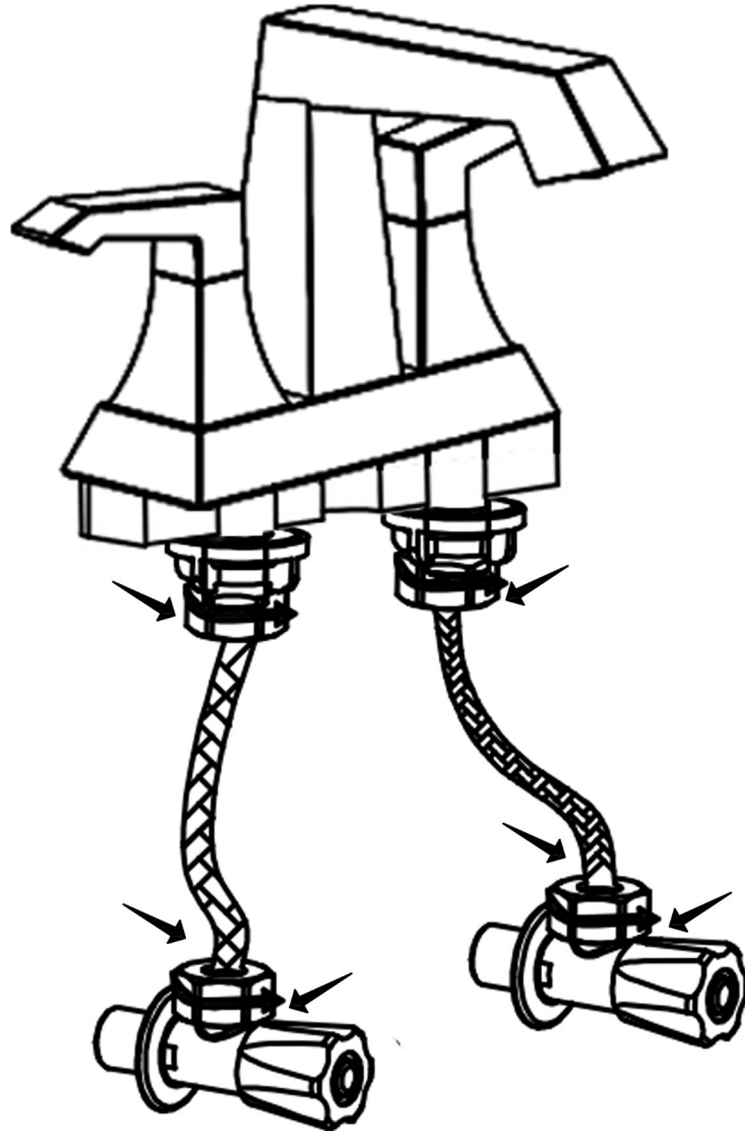


# Two Handle Centerset Lavatory Faucet

7



Check for leaks

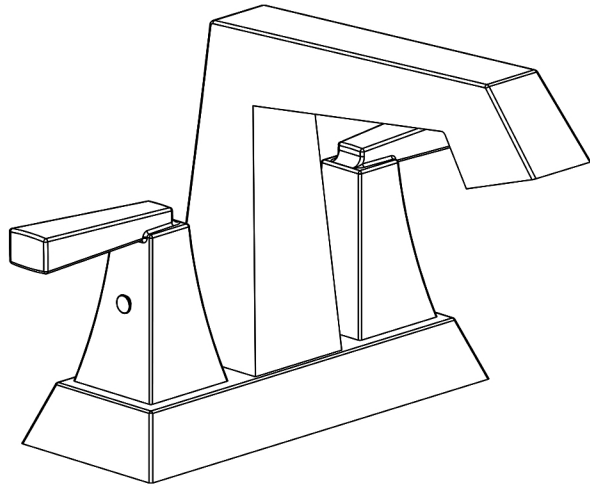
8

## Care and Cleaning

For best results, keep the following in mind when caring for your product:


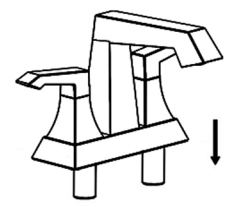

- .Use a mild detergent such as liquid dishwashing soap and warm water for cleaning. Do not use abrasive cleaners that may scratch or dull the surface.
- .Carefully read the cleaner product label to ensure the cleaner is safe for use on the material.
- .Do not allow cleaners to sit or soak on the surface.
- .Always test your cleaning solution on an inconspicuous area before applying to the entire surface.
- .Wipe surfaces clean and rinse completely with water immediately after cleaner application. Rinse and dry any overspray that lands on nearby surfaces.

Applicable faucets (including but not limited)

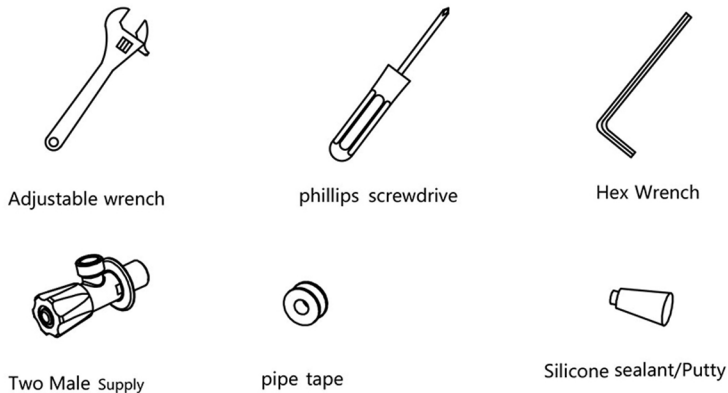


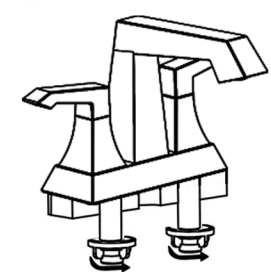
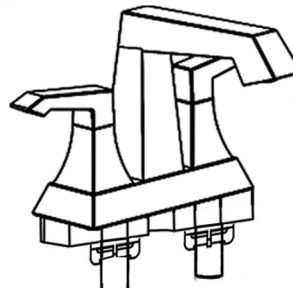
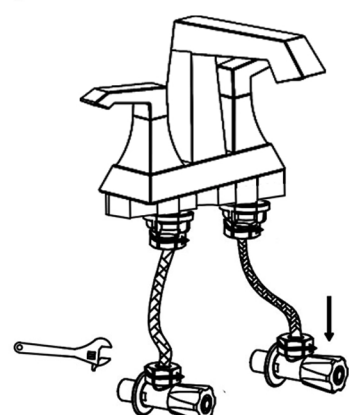
### INSTALLATION

prior to installation: Shut off water supply .Remove old faucet .  
Clean sink/countertop surface in preparation for new faucet

<p>1</p>  <p>Apply some plumbers putty or other suitable sealant to the bottom edge of undercover.</p>	<p>2</p>  <p>Align and press into place</p>	<p>3</p>  <p>Screw the nut onto shrank, leaving approximately 0.12" (3mm) between the ring and the sink.</p>
---	--	---

### TOOLS YOU WILL NEED



<p>4</p>  <p>Tighten fitting nuts with adjustable wrench. Do not over tighten!</p>	<p>5</p>  <p>Remove excessive putty, adjust slightly the position of faucet</p>	<p>6</p>  <p>Connect and tighten the supply hoses.</p>
---	---	--