

NOTICE

- * Please make sure that you have all parts indicated and they are in good condition before you begin assembly of this item. Refer to part list and hardware list below for guidance.
- * This item should be assembled on a soft surface to prevent scratching the finish during assembly.
- * This item may require periodic tightening.
- * If you are having difficulty, our friendly Customer Care team is always here to help. Please

PREPARATION

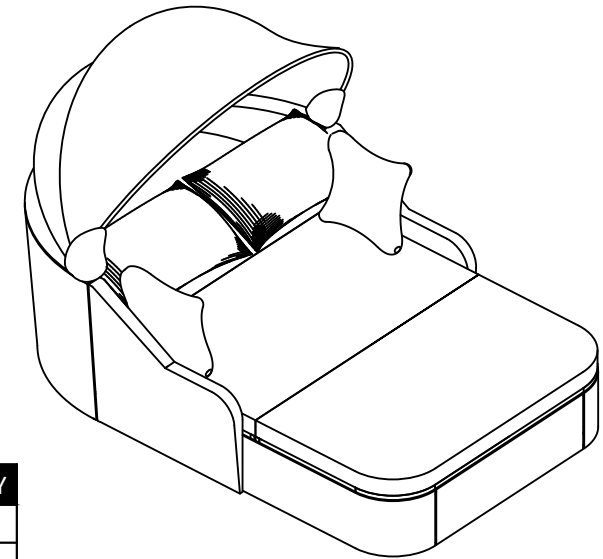
- * Before beginning assembly of product, make sure all parts are present. Compare parts with part contents list and hardware contents list.
- * If any part is missing or damaged, do not attempt to assemble the product.
- * Estimated Assembly Time: **45 minutes**.
- * Tools Required for Assembly (included): **Allen Key, Key**

CARE AND MAINTENANCE

Store outdoor furniture indoors or cover well when not in use. Remove wooden furniture from standing water. Dust regularly with small brush or vacuum. Spills should be taken care of immediately before they harden or stain with a slightly dampened sponge. Do not use bleach solutions

Product Dimensions

80.31"W x 52.36"D x 50.39"H (Lounge)



Part List and Hardware List

PIECE	DESCRIPTION	PICTURE	QUANTITY	PIECE	DESCRIPTION	PICTURE	QUANTITY
A	Back Right		1X	M-	Support M-		1X
B	Back Left		1X	N+	Support N+		1X
C	Arm Right		1X	N-	Support N-		1X
D	Arm Left		1X	O+	Support O+		1X
E	Front Seat Lounge		1X	O-	Support O-		1X
F	Middle Seat Lounge		1X	P+	Support P+		1X
G	Behind Seat Lounge		1X	P-	Support P-		1X
H	Side Right Lounge		1X	Q	Covered		1X
I	Side Left Lounge		1X	R	Support Bare		1X
J	Front Lounge		1X	X	Side Hand		2X
K	Front Bare		1X	CSH1	Seat Cushion		1X
L	Behind Bare		1X	CSH2	Back Cushion 1		2X
M+			1X	CSH3	Back Cushion 2		2X



Weight Capacity : 704 lbs (Lounge)

Warning : Do not stand on Lounge

Warning : Do not over torque bolts/screws

NOTICE

- * Please make sure that you have all parts indicated and they are in good condition before you begin assembly of this item. Refer to part list and hardware list below for guidance.
- * This item should be assembled on a soft surface to prevent scratching the finish during assembly.
- * This item may require periodic tightening.
- * If you are having difficulty, our friendly Customer Care team is always here to help. Please email

PREPARATION

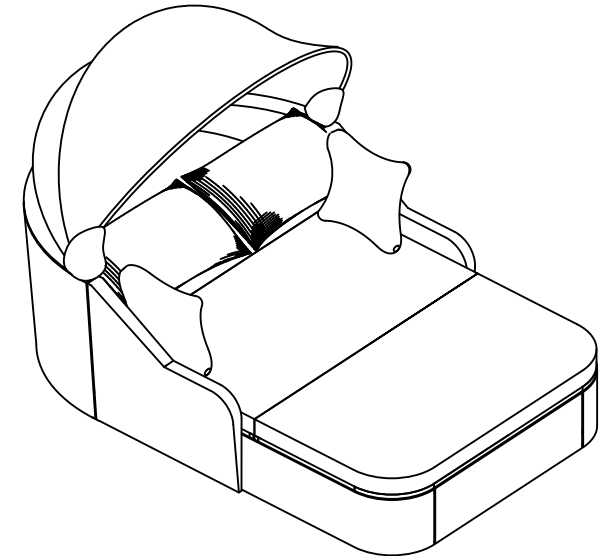
- * Before beginning assembly of product, make sure all parts are present. Compare parts with part contents list and hardware contents list.
- * If any part is missing or damaged, do not attempt to assemble the product.
- * Estimated Assembly Time: **45 minutes**.
- * Tools Required for Assembly (included): **Allen Key, Key, Screw Driver**

CARE AND MAINTENANCE

Store outdoor furniture indoors or cover well when not in use. Remove wooden furniture from standing water. Dust regularly with small brush or vacuum. Spills should be taken care of immediately before they harden or stain with a slightly dampened sponge. Do not use bleach solutions

Product Dimensions

80.31"W x 52.36"D x 50.39"H (Lounge)



Part List and Hardware List

PIECE	DESCRIPTION	PICTURE	QUANTITY
HW1	Allen Bolt: M6 x 0.5 x 20 mm		16X
HW2	Allen Bolt: M6 x 0.5 x 25 mm		2X
HW3	Allen Bolt: M6 x 0.5 x 30 mm		12X
HW4	Allen Bolt: M6 x 0.5 x 35 mm		19X
HW5	Allen Bolt: M6 x 0.5 x 45 mm		8X
HW6	Allen Bolt: M6 x 0.5 x 60 mm		8X
HW7	Screw: M6 x 0.5 x 10 mm		4X
HW8	Flat washer: M6 x 1 mm		83X
HW9	Plastic washer: M6 x 5 mm		10X
HW10	Plastic washer: M6 x 10 mm		2X
HW11	Nut: M6 x 10 mm		18X
HW12	Hemisphere cover		10X
HW13	Flat cover		12X

PIECE	DESCRIPTION	PICTURE	QUANTITY
HW14	Gas Lift		2X
HW15	Connection L		2X
HW16	Screw Driver		1X
HW17	Allen Key		2X
HW18	Key		1X



Weight Capacity : 704 lbs (Lounge)

Warning : Do not stand on Lounge

Warning : Do not over torque bolts/screws

NOTICE

- * Please make sure that you have all parts indicated and they are in good condition before you begin assembly of this item. Refer to part list and hardware list below for guidance.
- * This item should be assembled on a soft surface to prevent scratching the finish during assembly.
- * This item may require periodic tightening.
- * If you are having difficulty, our friendly Customer Care team is always here to help. Please email

PREPARATION

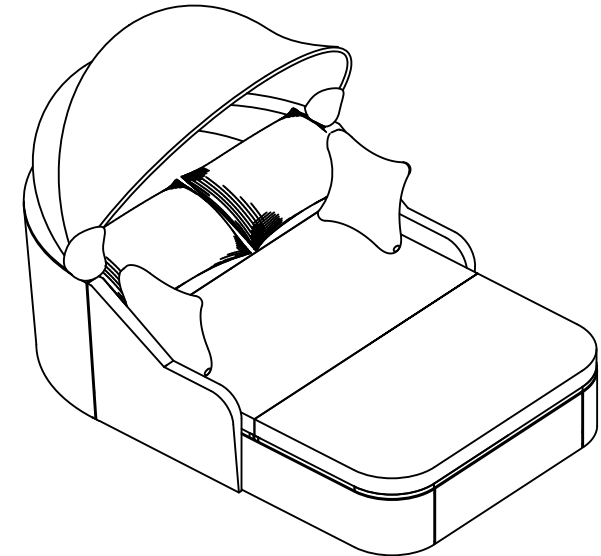
- * Before beginning assembly of product, make sure all parts are present. Compare parts with part contents list and hardware contents list.
- * If any part is missing or damaged, do not attempt to assemble the product.
- * Estimated Assembly Time: **45 minutes**.
- * Tools Required for Assembly (included): **Allen Key, Key**

CARE AND MAINTENANCE

Store outdoor furniture indoors or cover well when not in use. Remove wooden furniture from standing water. Dust regularly with small brush or vacuum. Spills should be taken care of immediately before they harden or stain with a slightly dampened sponge. Do not use bleach solutions

Product Dimensions

80.31"W x 52.36"D x 50.39"H (Lounge)



Carton Content: PAT7735-1/2

PIECE	DESCRIPTION	PICTURE	QUANTITY
A	Back Right		1X
B	Back Left		1X
C	Arm Right		1X
D	Arm Left		1X
H	Side Right Lounge		1X
I	Side Left Lounge		1X
Q	Covered		1X
X	Side Hand		2X
CSH2	Back Cushion 1		2X
CSH3	Back Cushion 2		2X



Weight Capacity : 704 lbs (Lounge)

Warning : Do not stand on Lounge

Warning : Do not over torque bolts/screws

NOTICE

- * Please make sure that you have all parts indicated and they are in good condition before you begin assembly of this item. Refer to part list and hardware list below for guidance.
- * This item should be assembled on a soft surface to prevent scratching the finish during assembly.
- * This item may require periodic tightening.
- * If you are having difficulty, our friendly Customer Care team is always here to help. Please email

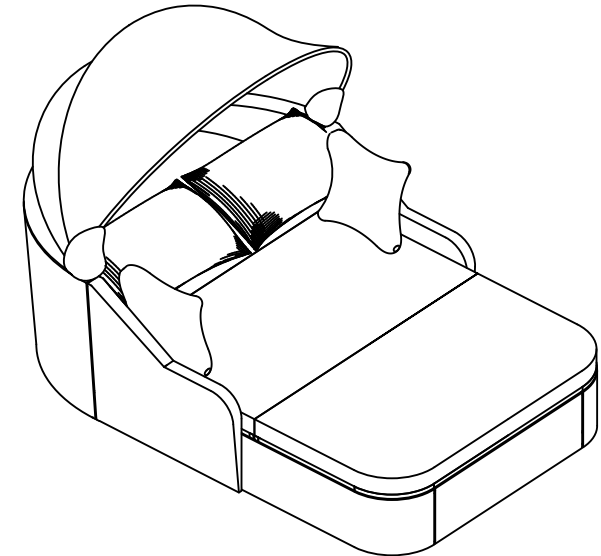
PREPARATION

- * Before beginning assembly of product, make sure all parts are present. Compare parts with part contents list and hardware contents list.
- * If any part is missing or damaged, do not attempt to assemble the product.
- * Estimated Assembly Time: **45 minutes**.
- * Tools Required for Assembly (included): **Allen Key, Key**

CARE AND MAINTENANCE

Store outdoor furniture indoors or cover well when not in use. Remove wooden furniture from standing water. Dust regularly with small brush or vacuum. Spills should be taken care of immediately before they harden or stain with a slightly dampened sponge. Do not use bleach solutions

Product Dimensions
80.31"W x 52.36"D x 50.39"H (Lounge)



Carton Content: PAT7735-2/2

PIECE	DESCRIPTION	PICTURE	QUANTITY
E	Front Seat Lounge		1X
F	Middle Seat Lounge		1X
G	Behind Seat Lounge		1X
K	Front Bare		1X
L	Behind Bare		1X
J	Front Lounge		1X
M+	Support M+		1X
M-	Support M-		1X
N+	Support N+		1X
N-	Support N-		1X
O+	Support O+		1X

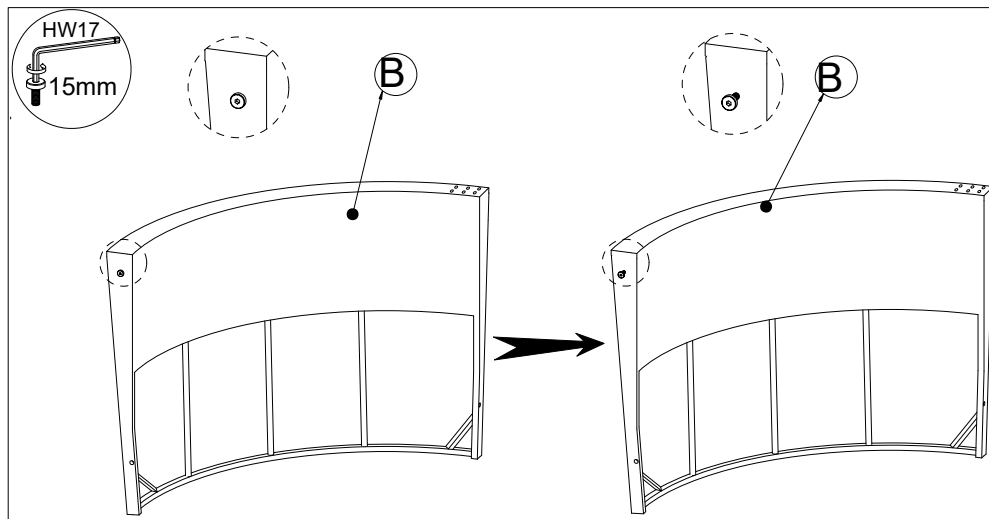
PIECE	DESCRIPTION	PICTURE	QUANTITY
O-	Support O-		1X
P+	Support P+		1X
P-	Support P-		1X
R	Support Bare		1X
CSH1	Seat Cushion		1X



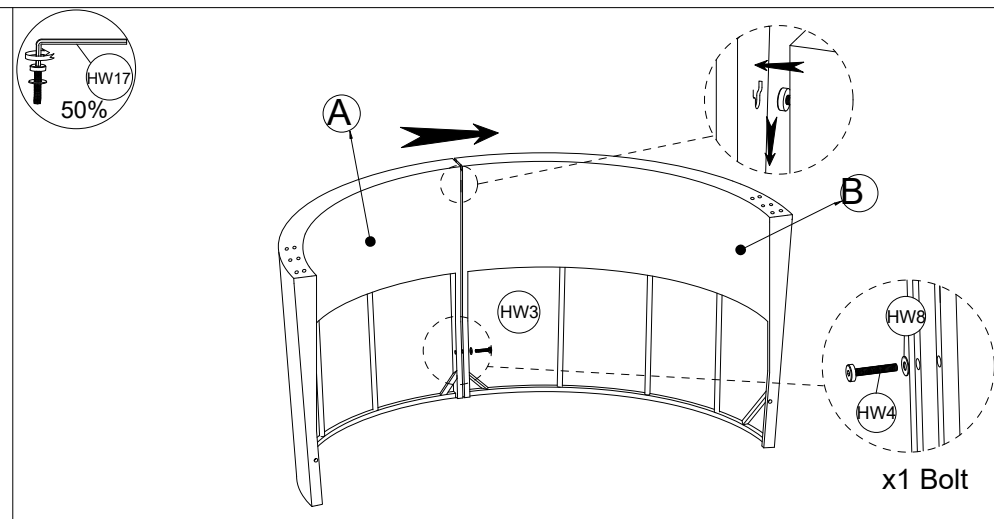
Weight Capacity : 704 lbs (Lounge)
Warning : Do not stand on Lounge
Warning : Do not over torque bolts/screws

PREPARATION

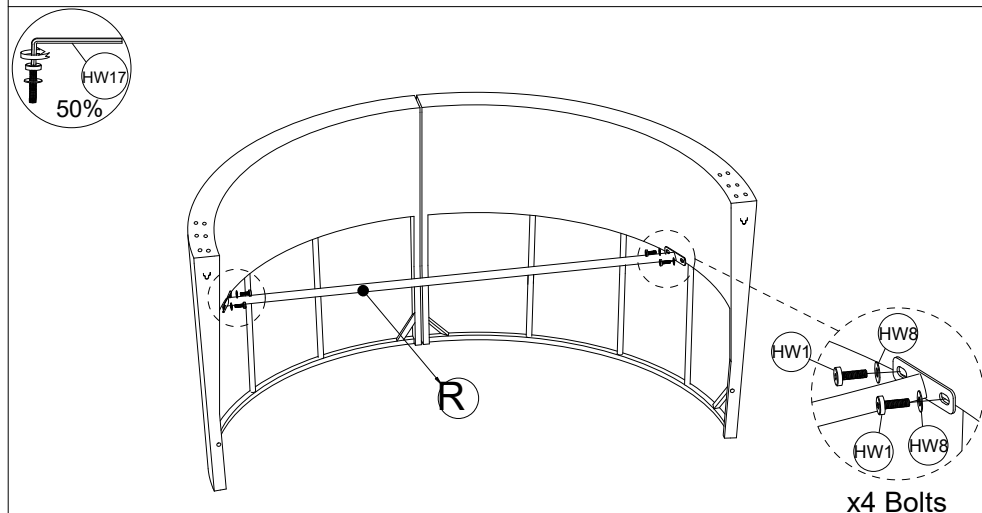
- * Before beginning assembly of product, make sure all parts are present. Compare parts with part contents list and hardware contents list.
- * If any part is missing or damaged, do not attempt to assemble the product.
- * Estimated Assembly Time: **45 minutes.**
- * Tools Required for Assembly (included): **Allen Key, Key , Screw Driver**
- * If you are having difficulty, our friendly Customer Care team is always here to help. Please email



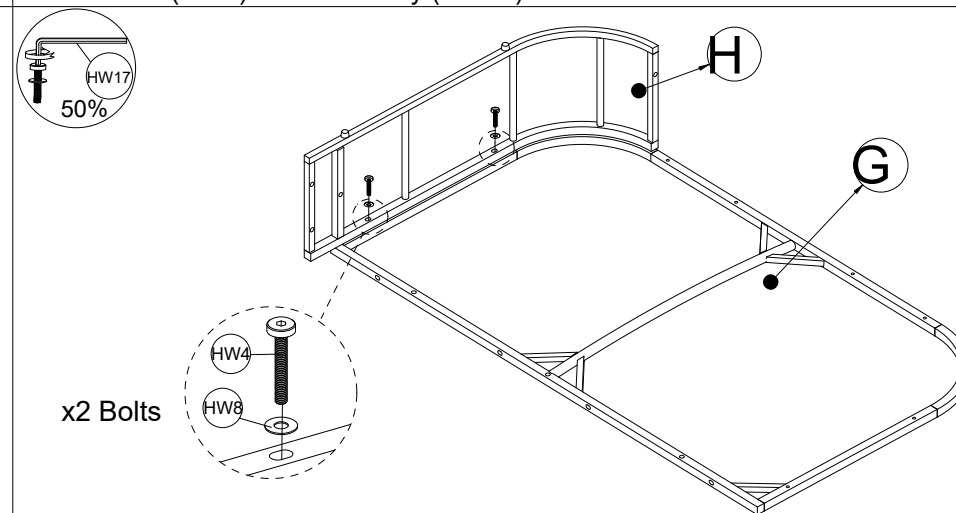
STEP 1: Use Allen key (HW17) to loosen Bolt on the side of Back Left (B) about 15mm.



STEP 2: Connect The Part from Step 1 & Back Right (A), tighten Bolt (HW4), Flat Washer (HW8) with Allen Key (HW17).



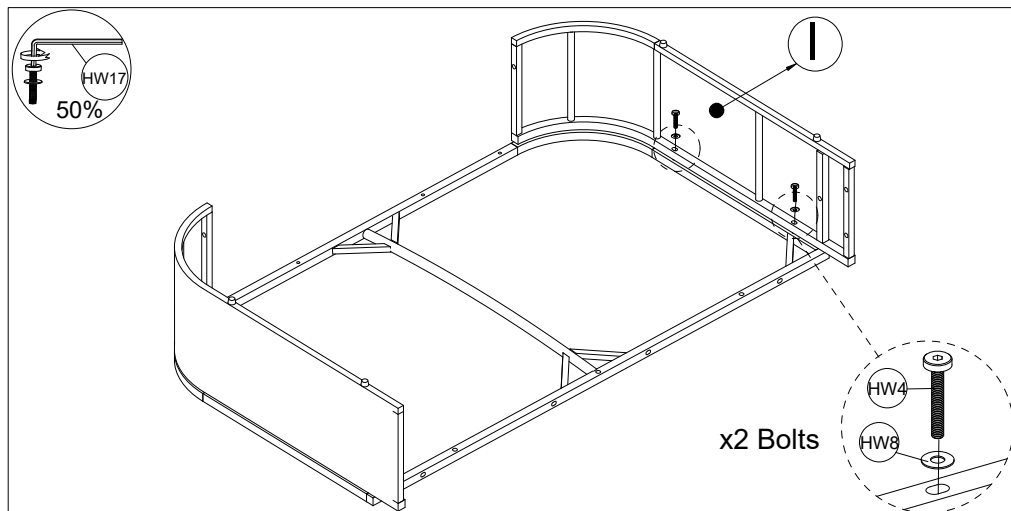
STEP 3: Connect The Part from Step 2 & Support Back (R), tighten Bolt (HW1), Flat Washer (HW8) with Allen Key (HW17).



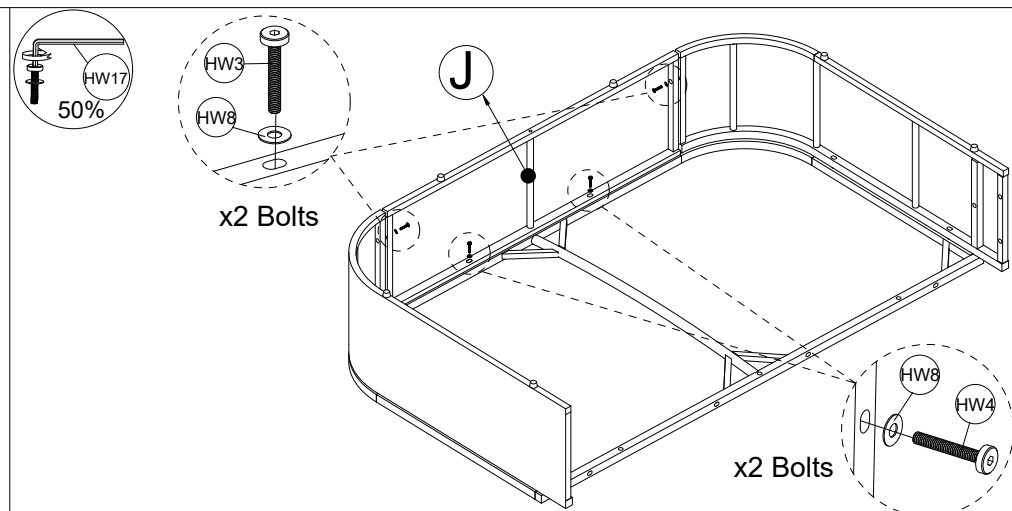
STEP 4: Connect Behind Seat Lounge(G) & Side Right Lounge (H), tighten Bolt (HW4), Flat Washer (HW8) with Allen Key (HW17).

PREPARATION

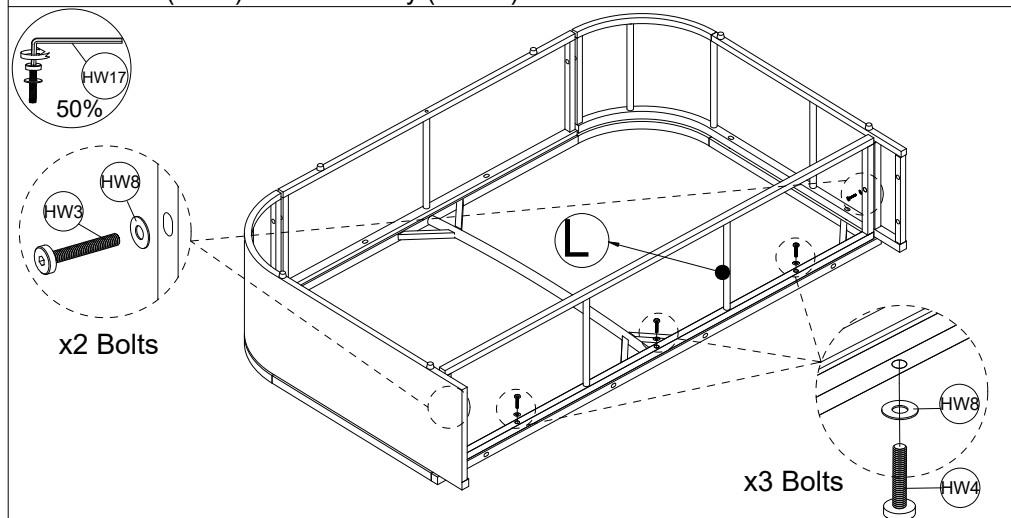
- * Before beginning assembly of product, make sure all parts are present. Compare parts with part contents list and hardware contents list.
- * If any part is missing or damaged, do not attempt to assemble the product.
- * Estimated Assembly Time: **45 minutes**.
- * Tools Required for Assembly (included): **Allen Key, Key, Screw Driver**
- * If you are having difficulty, our friendly Customer Care team is always here to help. Please email



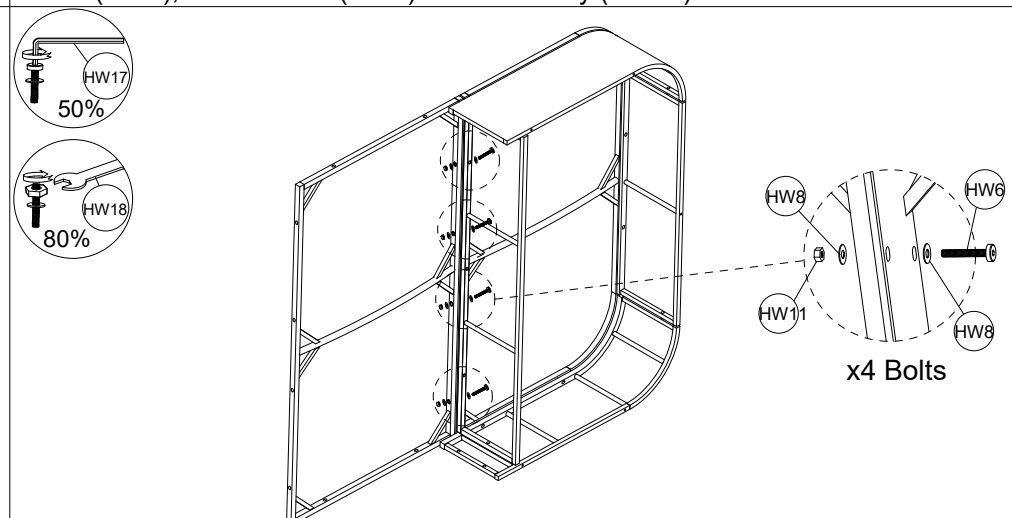
STEP 5: Connect The Part from Step 4 & Side Left Lounge (I), tighten Bolt (HW4), Flat Washer (HW8) with Allen Key (HW17).



STEP 6: Connect The Part from Step 5 & Front Lounge (J), tighten Bolt (HW3) & Bolt (HW4), Flat Washer (HW8) with Allen Key (HW17).



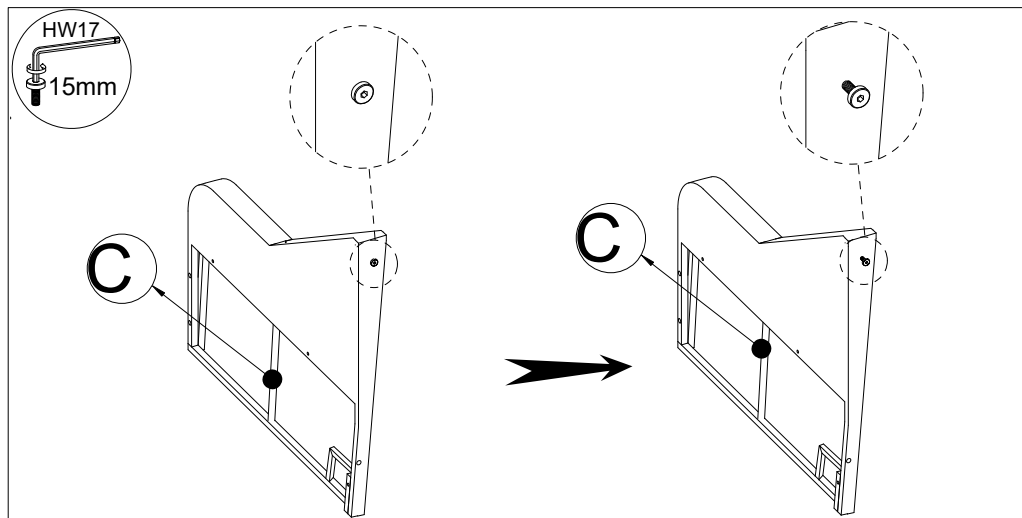
STEP 7: Connect The Part from Step 6 & Behind Bare (L), tighten Bolt (HW3) & Bolt (HW4), Flat Washer (HW8) with Allen Key (HW17).



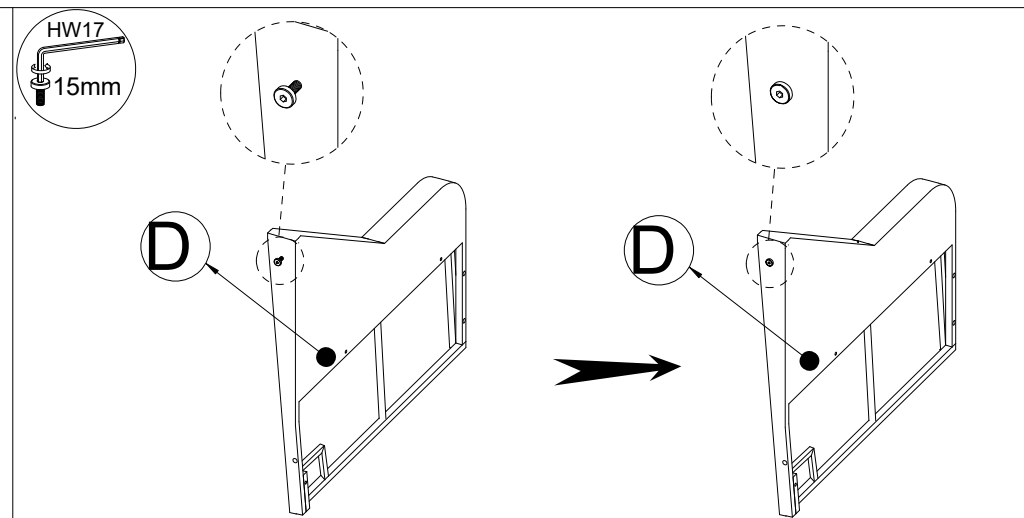
STEP 4: Connect The Part from Step 7 & Middle Seat Lounge (F), tighten Bolt (HW6), Flat Washer (HW8), Nut (HW11) with Allen Key (HW17), Key (HW18)

PREPARATION

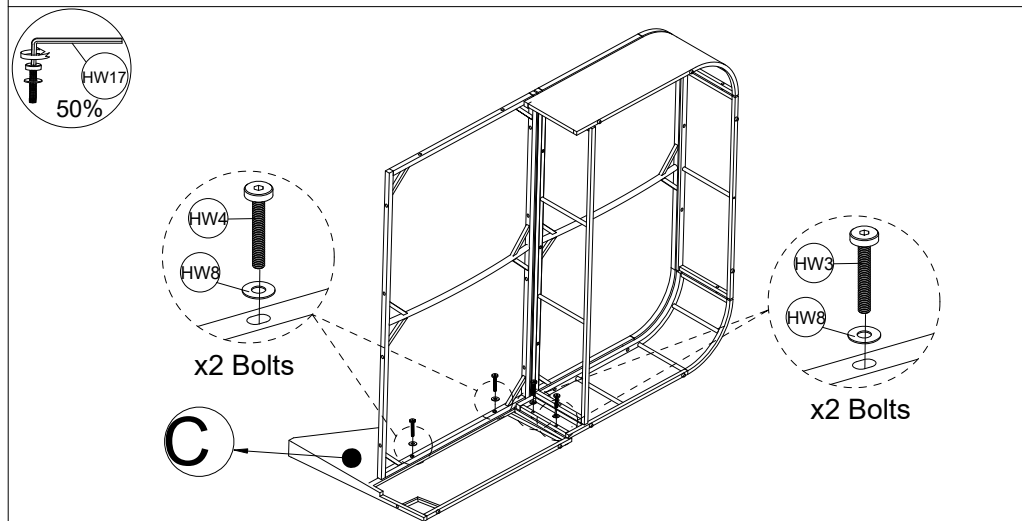
- * Before beginning assembly of product, make sure all parts are present. Compare parts with part contents list and hardware contents list.
- * If any part is missing or damaged, do not attempt to assemble the product.
- * Estimated Assembly Time: **45 minutes**.
- * Tools Required for Assembly (included): **Allen Key, Key , Screw Driver**
- * If you are having difficulty, our friendly Customer Care team is always here to help. Please email



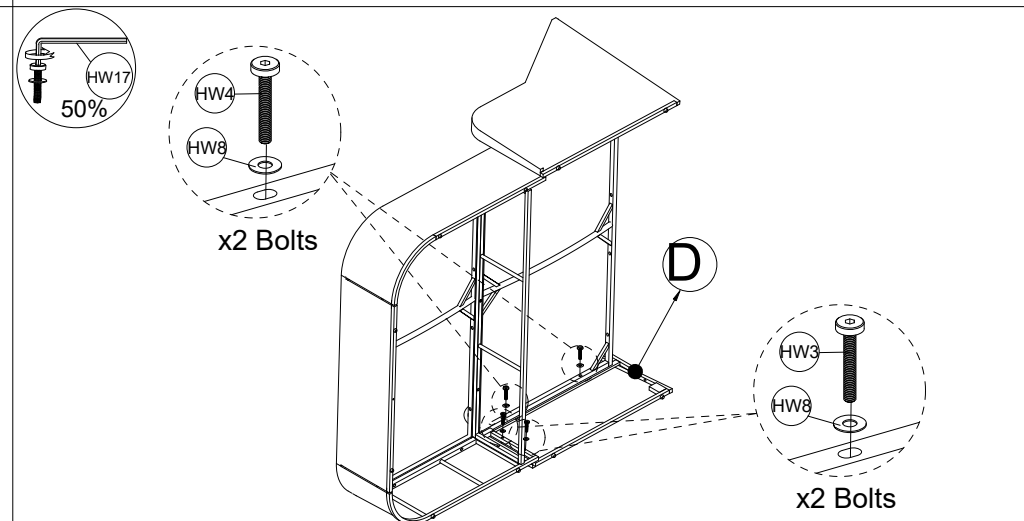
STEP 9: Use Allen key (HW17) to loosen Bolt on the side of Arm Right (C) about 15 mm.



STEP 10: Use Allen key (HW17) to loosen Bolt on the side of Arm Left (D) about 15 mm.



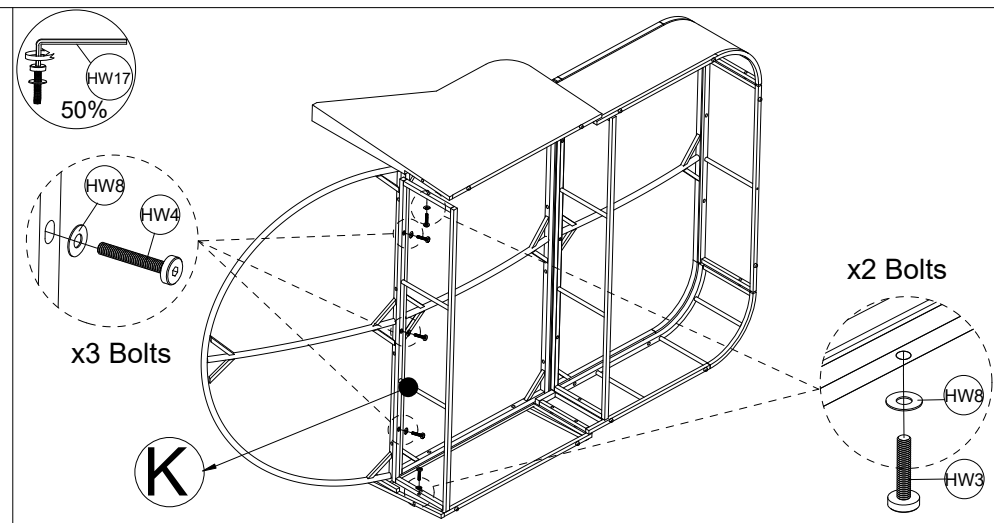
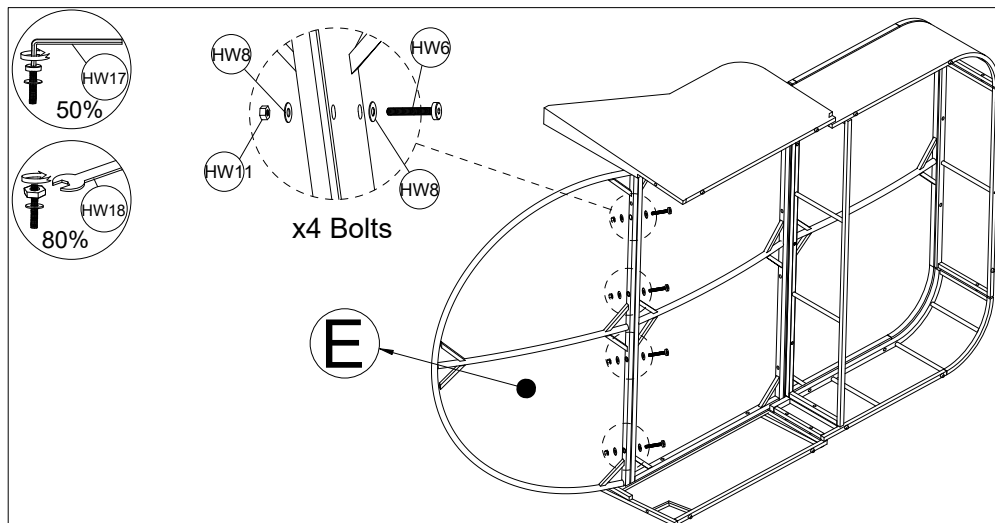
STEP 11: Connect The Part from Step 8 & Part from Step 9, tighten Bolt (HW3) & Bolt (HW4), Flat Washer (HW8) with Allen Key (HW17).



STEP 12: Connect The Part from Step 11 & Part from Step 10, tighten Bolt (HW3), & Bolt (HW4), Flat Washer (HW8) with Allen Key (HW17).

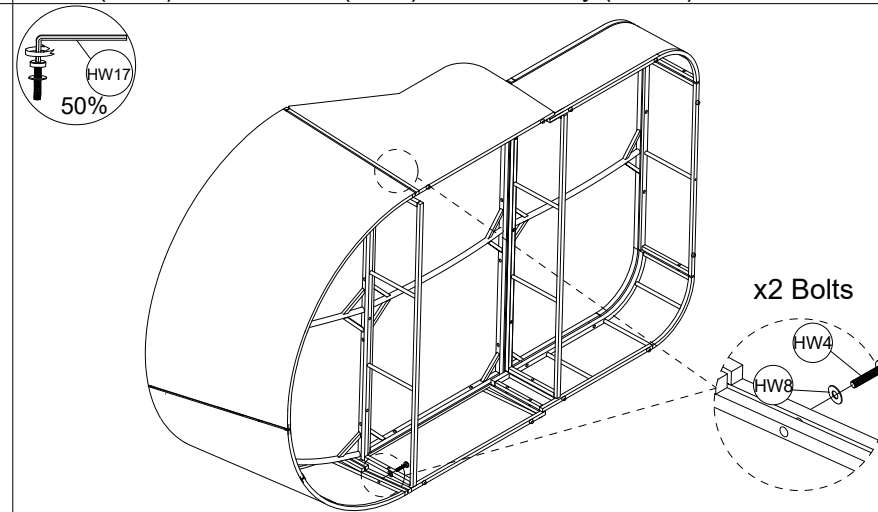
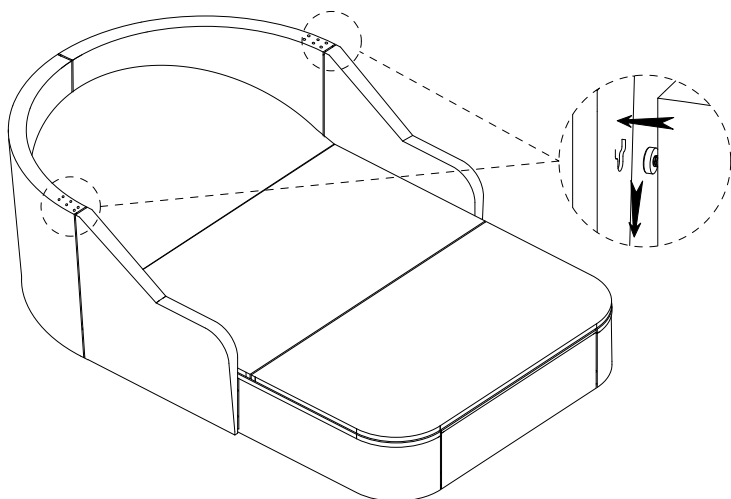
PREPARATION

- * Before beginning assembly of product, make sure all parts are present. Compare parts with part contents list and hardware contents list.
- * If any part is missing or damaged, do not attempt to assemble the product.
- * Estimated Assembly Time: **45 minutes**.
- * Tools Required for Assembly (included): **Allen Key, Key, Screw Driver**
- * If you are having difficulty, our friendly Customer Care team is always here to help. Please email



STEP 13: Connect The Part from Step 12 & Front Seat Lounge (E), tighten Bolt (HW6) Flat Washer (HW8), Nut (HW11) with Allen Key (HW17), Key (HW18)

STEP 14: Connect The Part from Step 13 & Front Bare (K), tighten Bolt (HW3), & Bolt (HW4), Flat Washer (HW8) with Allen Key (HW17).

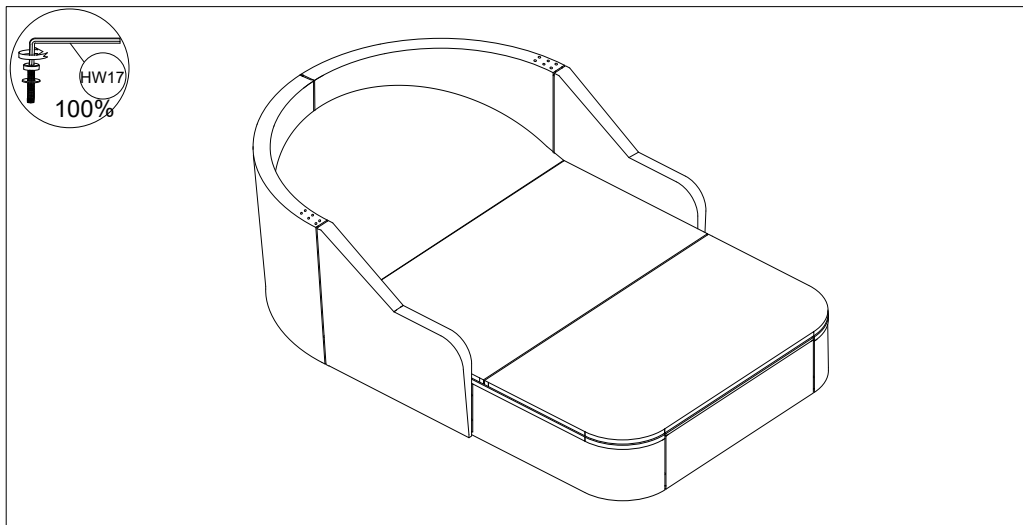


STEP 15: Connect The Part from Step 14 & The Part from Step 3.

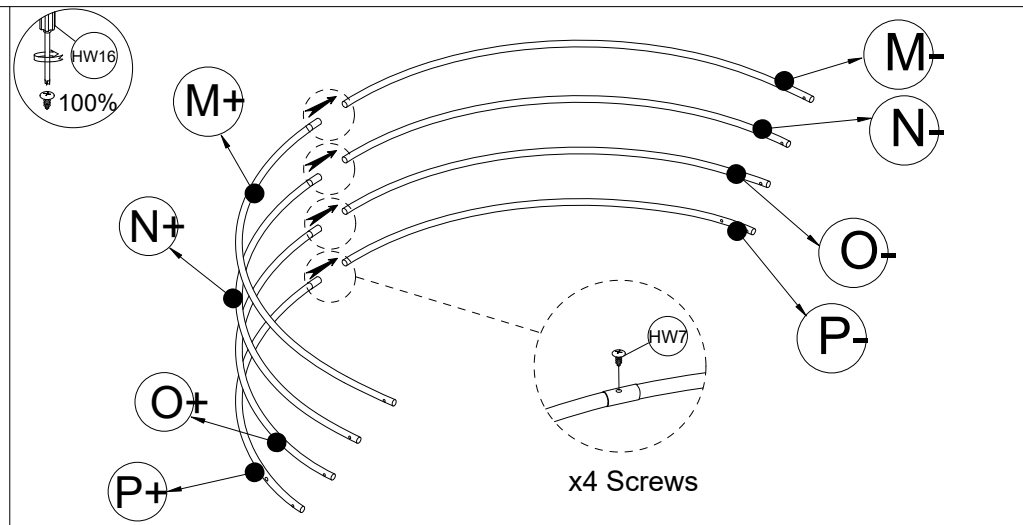
STEP 16: Connect The Part from Step 14 & The Part from Step 3, tighten Bolt (HW4), Flat Washer (HW8) with Allen Key (HW17).

PREPARATION

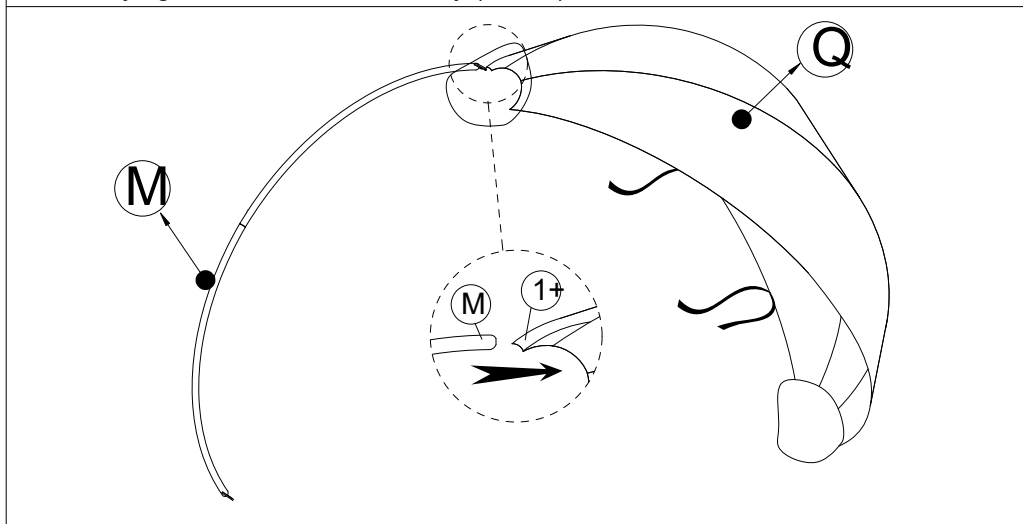
- * Before beginning assembly of product, make sure all parts are present. Compare parts with part contents list and hardware contents list.
- * If any part is missing or damaged, do not attempt to assemble the product.
- * Estimated Assembly Time: **45 minutes**.
- * Tools Required for Assembly (included): **Allen Key, Key , Screw Driver**
- * If you are having difficulty, our friendly Customer Care team is always here to help. Please email



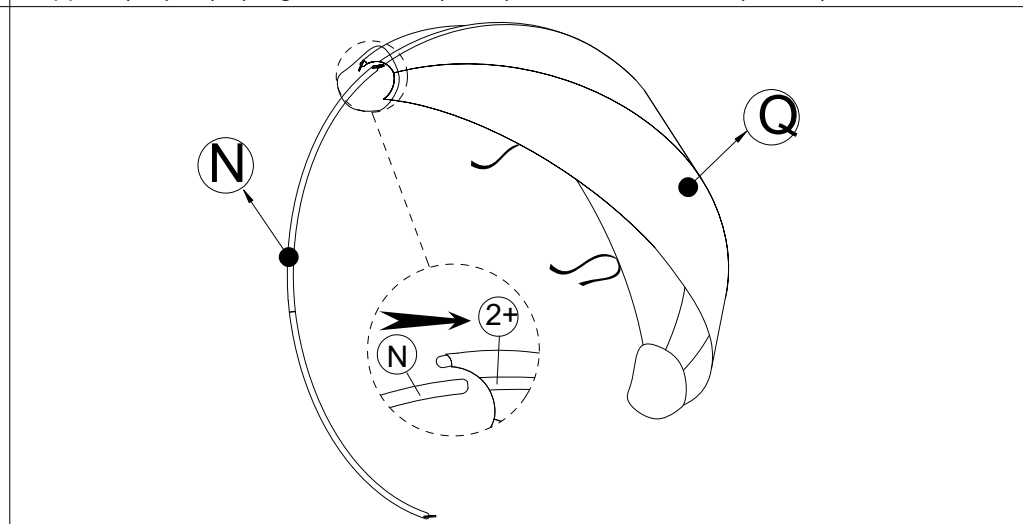
STEP 17: Put the Lounge upright and make sure all legs are level, then firmly tighten Bolts with Allen Key (HW17)



STEP 18: Connect Support (M+) & (M-), Support (N+) & (N-), Support (O+) & (O-), Support (P+) & (P-), tighten Screw (HW7) with Screw Driver (HW16).



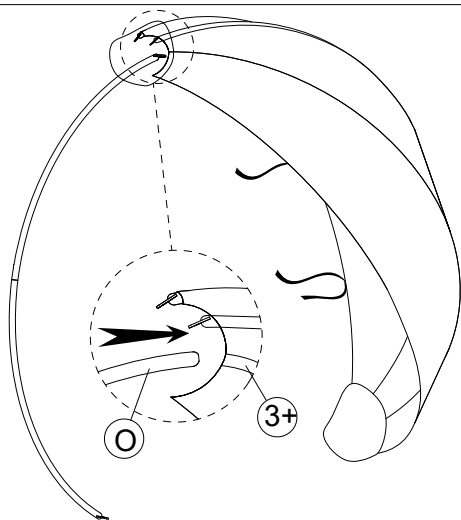
STEP 19: Connect The Support (M) & Covered (Q).



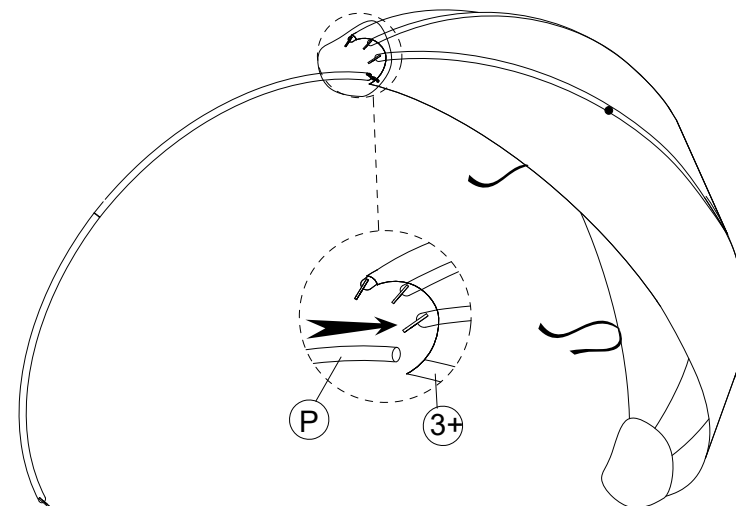
STEP 20: Connect The Part from Step 19 & Support (N)

PREPARATION

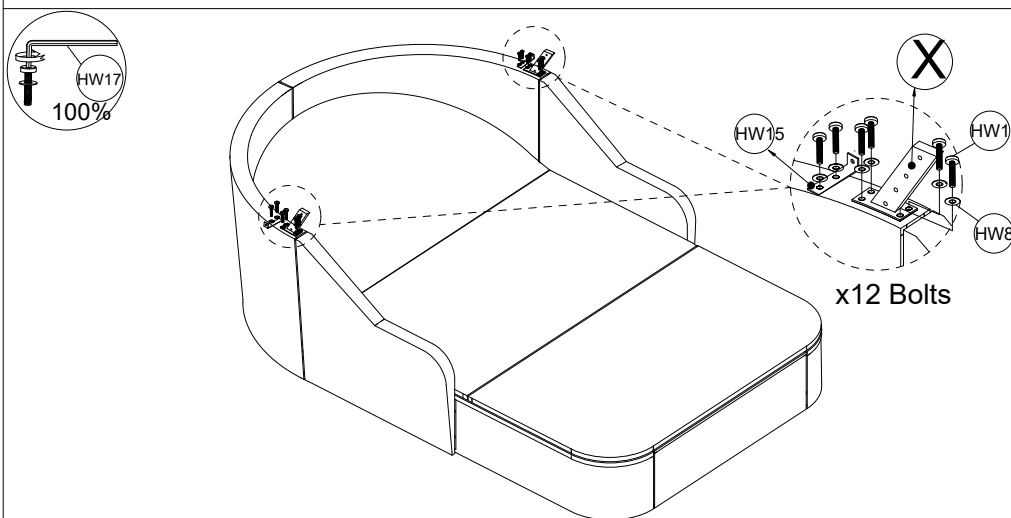
- * Before beginning assembly of product, make sure all parts are present. Compare parts with part contents list and hardware contents list.
- * If any part is missing or damaged, do not attempt to assemble the product.
- * Estimated Assembly Time: **45 minutes**.
- * Tools Required for Assembly (included): **Allen Key, Key , Screw Driver**
- * If you are having difficulty, our friendly Customer Care team is always here to help. Please email



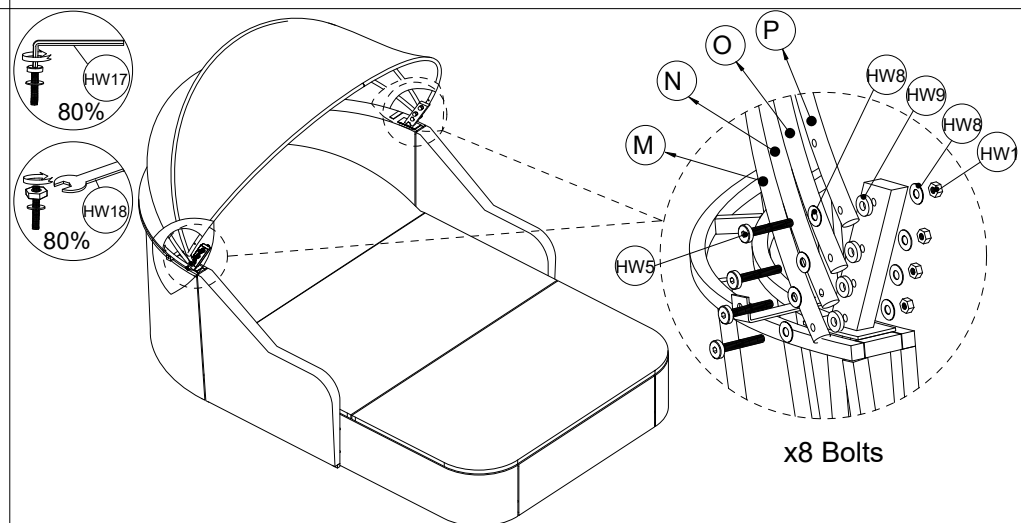
STEP 21: Connect The Part from Step 20 & Support (O)



STEP 22: Connect The Part from Step 21 & Support (P)



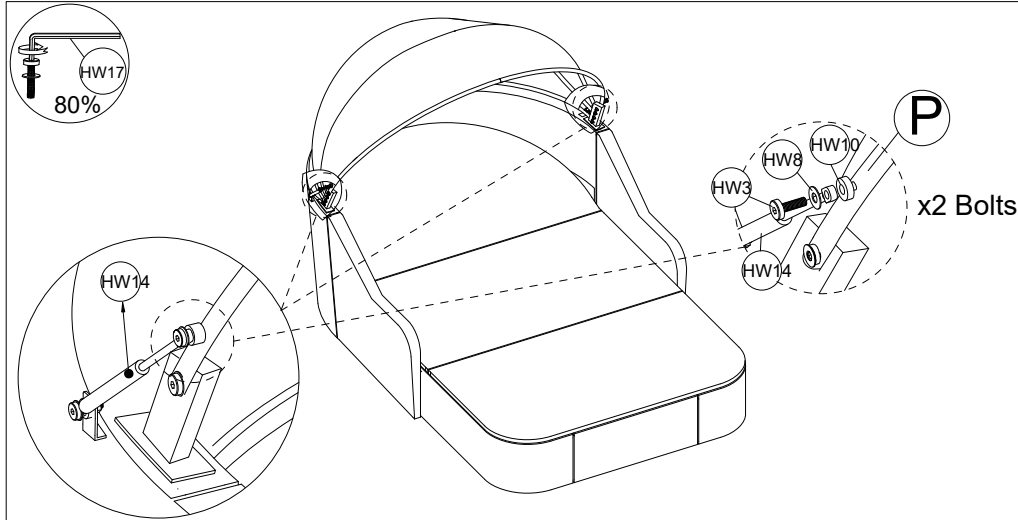
STEP 23: Connect The Part from Step 17 & Side Hand (X), Connection L (HW15), tighten Bolt (HW1), Flat Washer (HW8) with Allen Key (HW17).



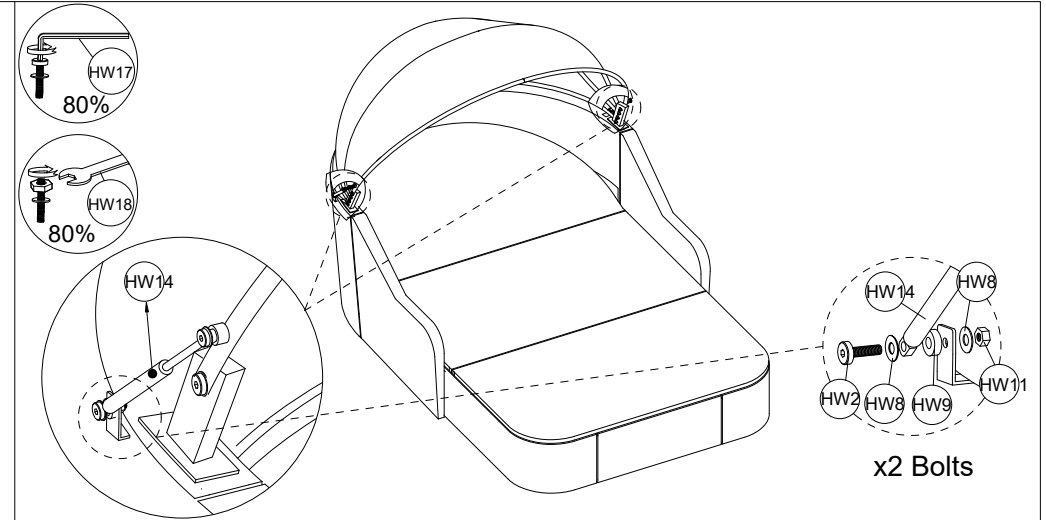
STEP 24: Connect The Part from Step 23 & Step 22, tighten Bolt (HW5), Flat Washer (HW8), Plastic Washer (HW9), Nut (HW11), Allen Key (HW17), Key (HW18)

PREPARATION

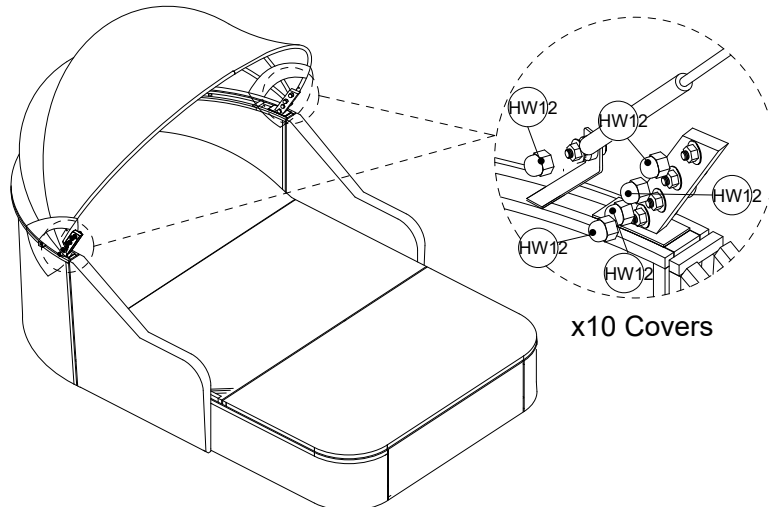
- * Before beginning assembly of product, make sure all parts are present. Compare parts with part contents list and hardware contents list.
- * If any part is missing or damaged, do not attempt to assemble the product.
- * Estimated Assembly Time: **45 minutes**.
- * Tools Required for Assembly (included): **Allen Key, Key, Screw Driver**
- * If you are having difficulty, our friendly Customer Care team is always here to help. Please email



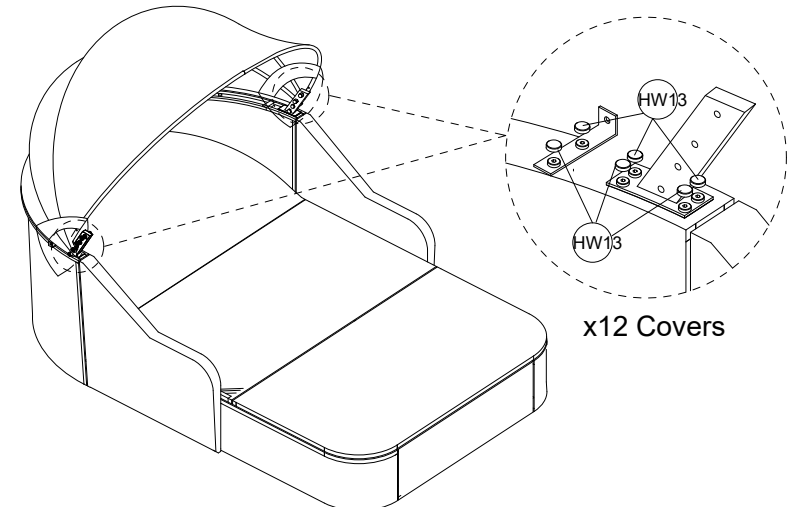
STEP 25: Connect The Part from Step 24 & Gas lift (HW14), tighten Bolt (HW3) Flat Washer (HW8), Plastic Washer (HW10), Allen Key (HW17).



STEP 26: Connect Part from Step 25 & Gas lift (HW14), tighten Bolt (HW2) Flat Washer (HW8), Plastic Washer (HW9), Nut (HW11), Allen Key (HW17), Key (HW18)



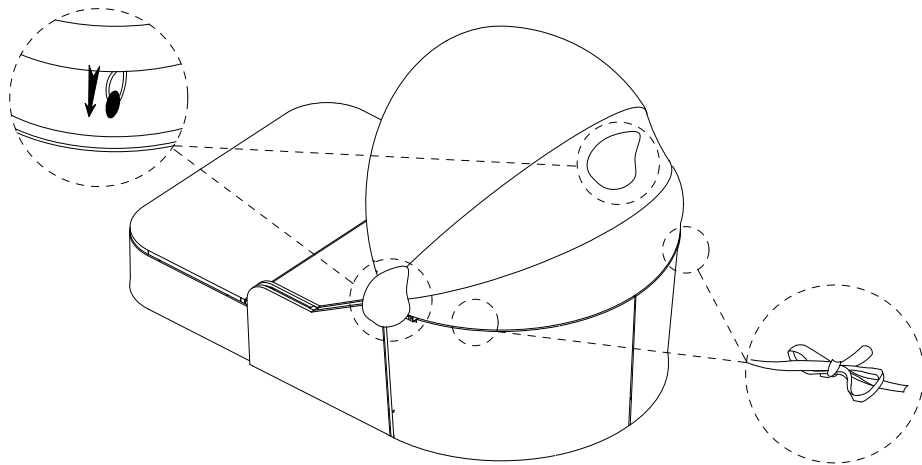
STEP 27: Connect The Part from Step 26 & Hemisphere Cover (HW12).



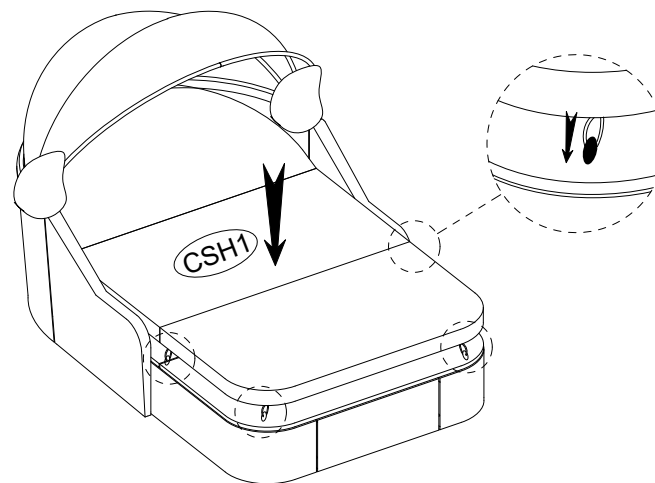
STEP 28: Connect The Part from Step 27 & Flat Cover (HW13).

PREPARATION

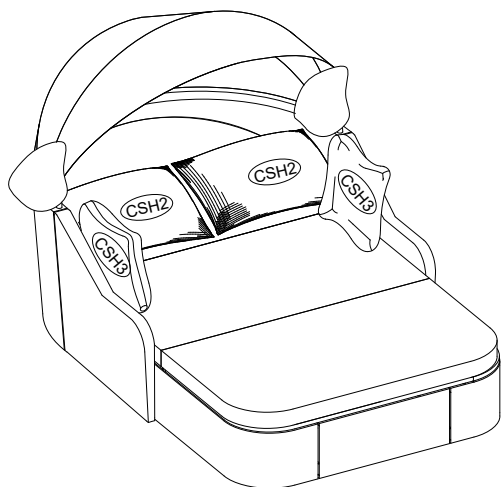
- * Before beginning assembly of product, make sure all parts are present. Compare parts with part contents list and hardware contents list.
- * If any part is missing or damaged, do not attempt to assemble the product.
- * Estimated Assembly Time: **45 minutes**.
- * Tools Required for Assembly (included): **Allen Key, Key , Screw Driver**
- * If you are having difficulty, our friendly Customer Care team is always here to help. Please email



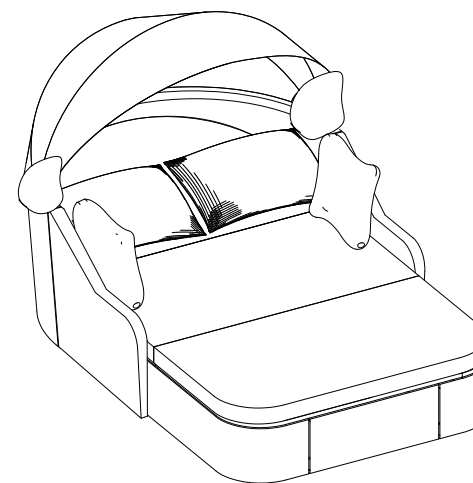
STEP 29: Stick string to Covered to Back Lounge.



STEP 30: Put on Seat Cushion (CSH1), to Lounge. Stick string to Lounge.



STEP 31: Put on Back Cushion (CSH2) & Pillow Cushion (CSH3) to Lounge.



Finish Lounge