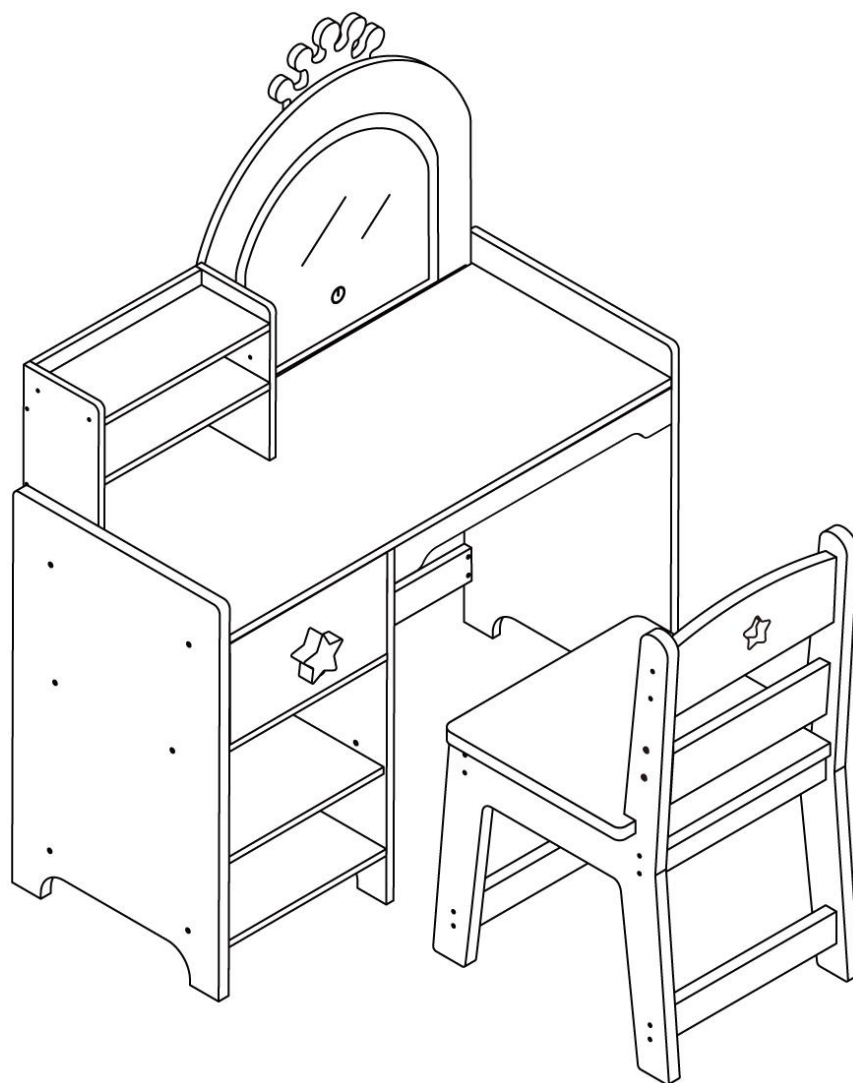


Kids Vanity Set

Product ID. 7A6UN



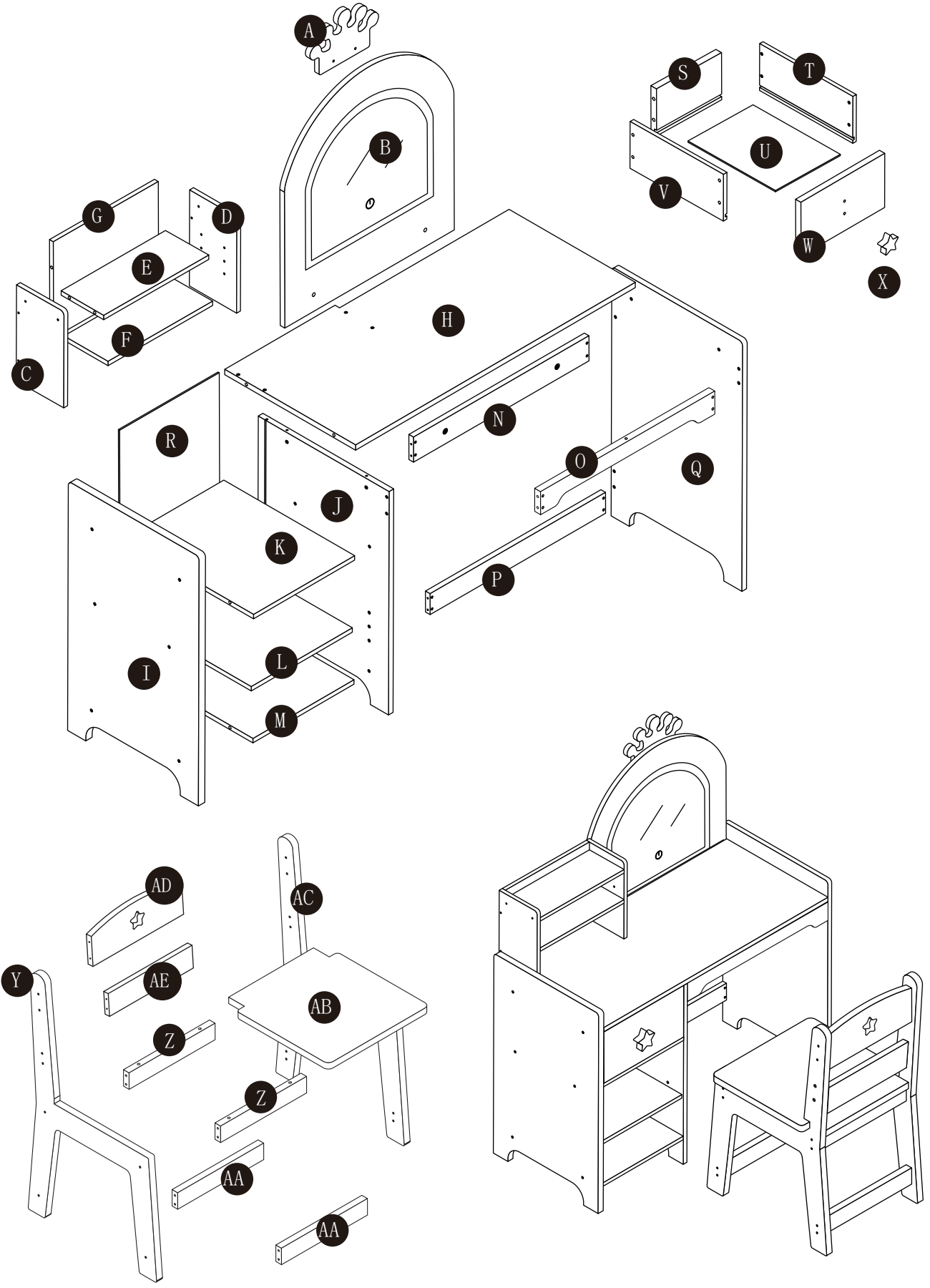
Scan for Support
support@garvee.com



Distributed by
GARVEE.com

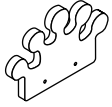
V251105BEJO

Exploded Drawing

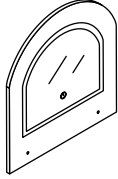


Product Parts

A



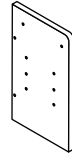
B



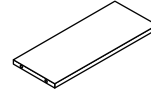
C



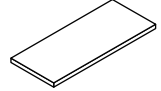
D



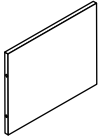
E



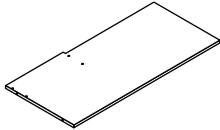
F



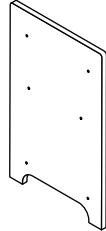
G



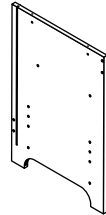
H



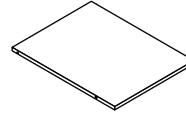
I



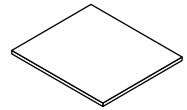
J



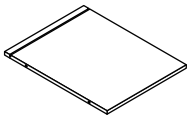
K



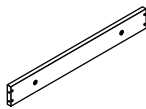
L



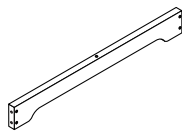
M



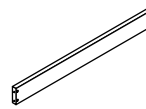
N



O



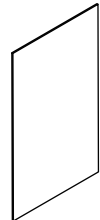
P



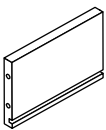
Q



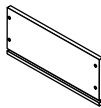
R



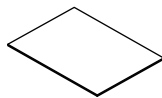
S



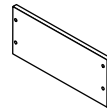
T



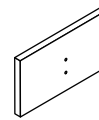
U



V



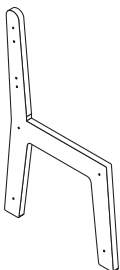
W



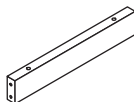
X



Y

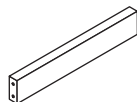


Z



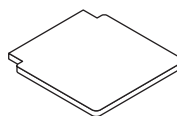
2 pcs

AA

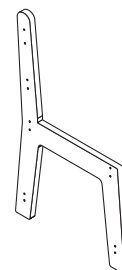


2 pcs

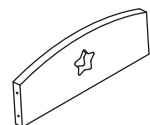
AB



AC

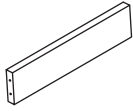


AD



Product Parts

AE



Ha rdwa re

1



M6*32mm

2sets

2



∅4*35mm

62 pcs

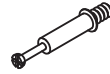
3



∅4*14mm

2 pcs

4



∅6*35mm

4 pcs

5



∅15*10mm

4 pcs

6



∅5*20mm

6 pcs

7



∅8*20mm

4 pcs

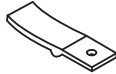
8



∅3*8mm

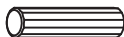
1 pcs

9



1 pcs

10



∅8*30mm

8 pcs

11



∅4*22mm

2 pcs

12



1 pcs

13



∅3*8mm


2 pcs

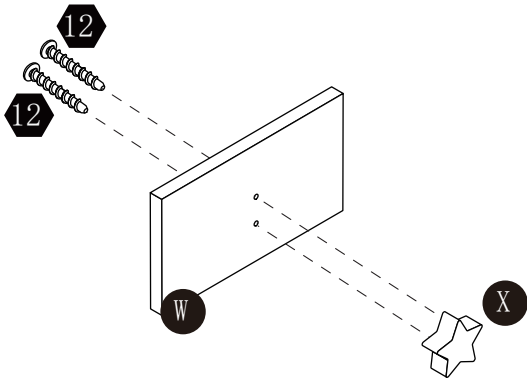
14




1 set

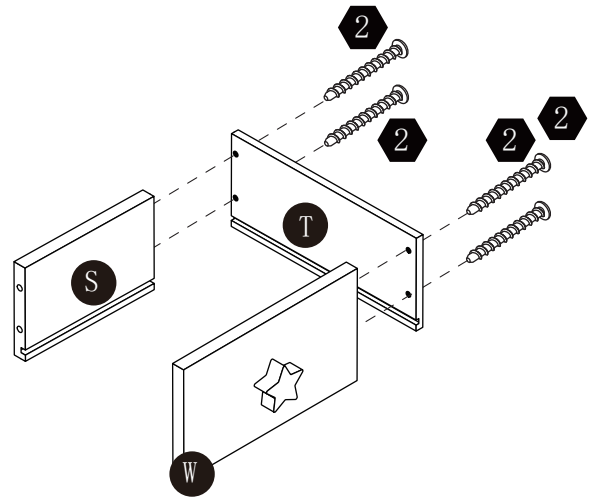
Step 1

12  2 pcs
Ø4*22mm

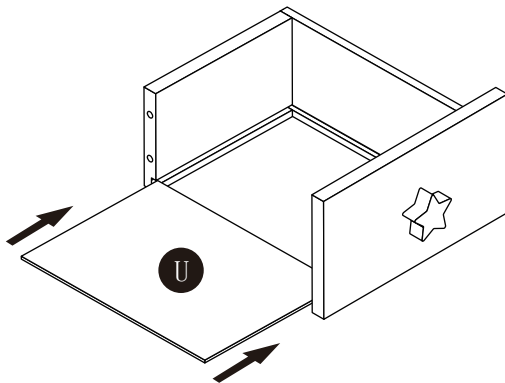


Step 2


2  4 pcs
Ø4*35mm

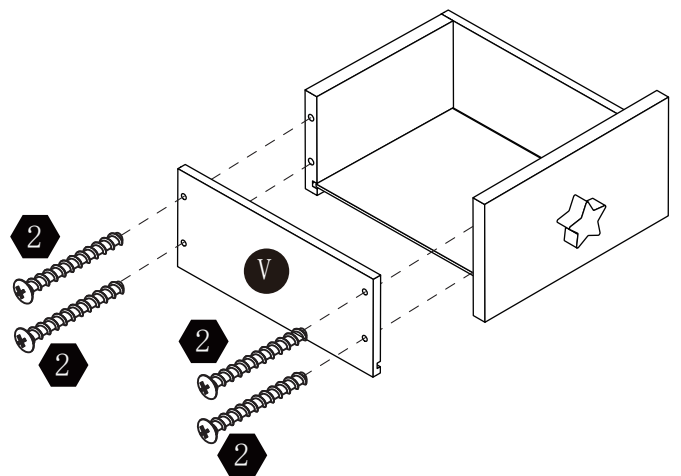


Step 3



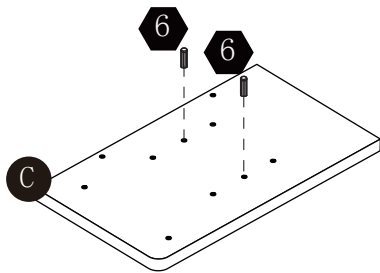
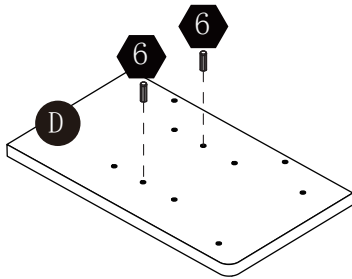
Step 4

2  4 pcs
Ø4*35mm



Step 5

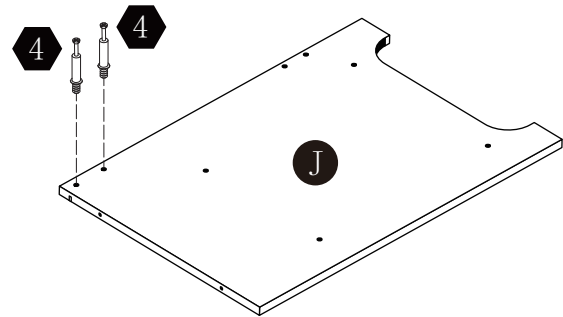
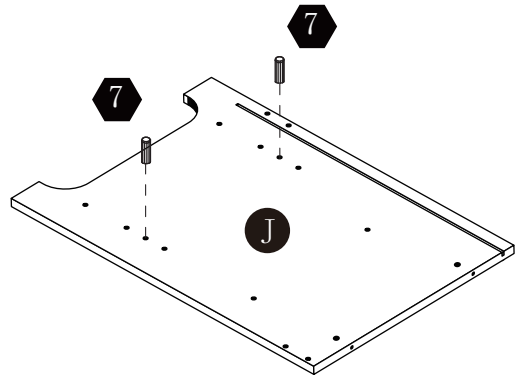
6  4 pcs
 $\varnothing 5*20\text{mm}$



Step 6

7  2 pcs
 $\varnothing 8*20\text{mm}$

4  2 pcs
 $\varnothing 6*32\text{mm}$

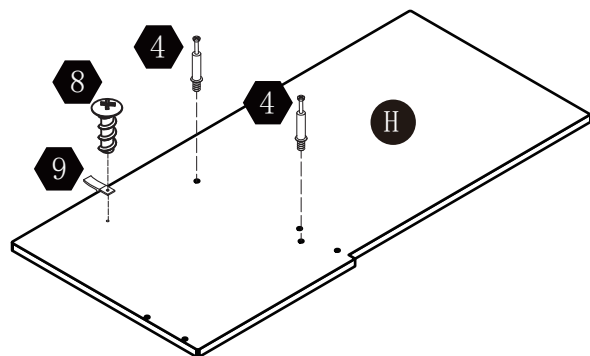


Step 7

4  2 pcs
 $\varnothing 6*35\text{mm}$

9  1 pcs

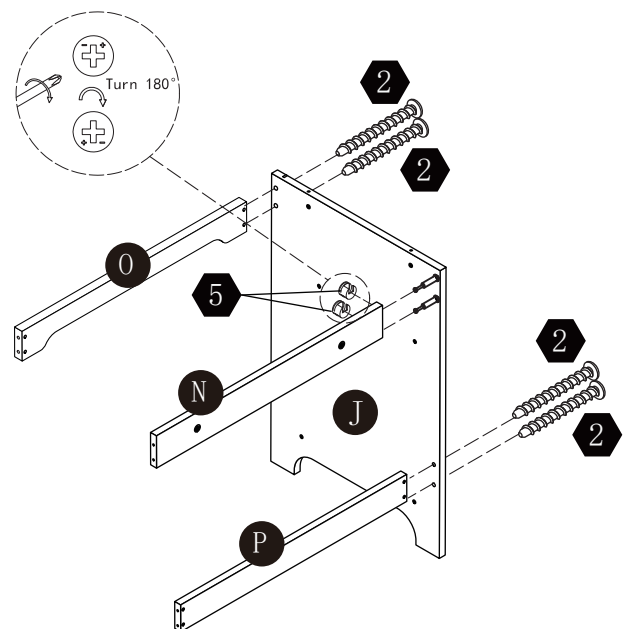
8  1 pcs
 $\varnothing 3*8\text{mm}$




Step 8

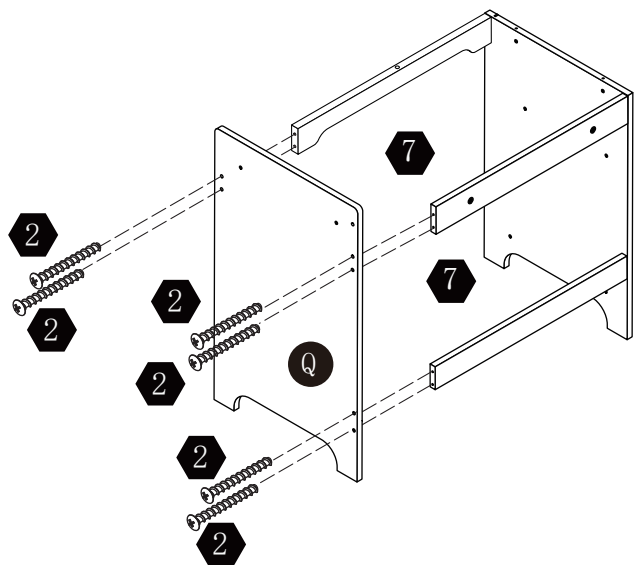
2  4 pcs
 $\varnothing 4*35\text{mm}$

5  2 pcs
 $\varnothing 15*10\text{mm}$



Step 9

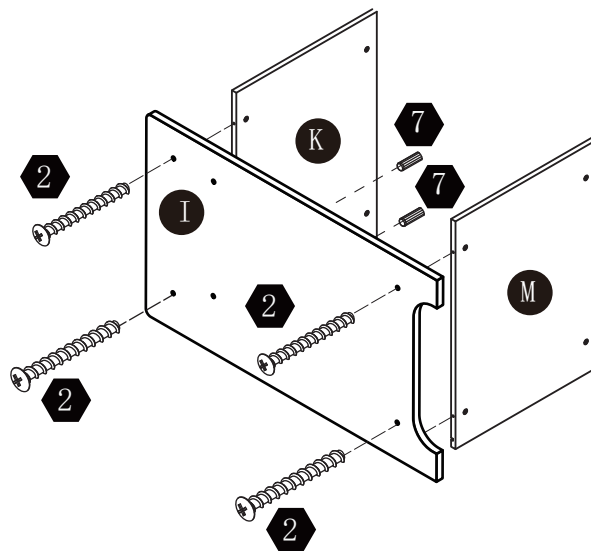
2  6 pcs
Ø4*35mm




Step 10

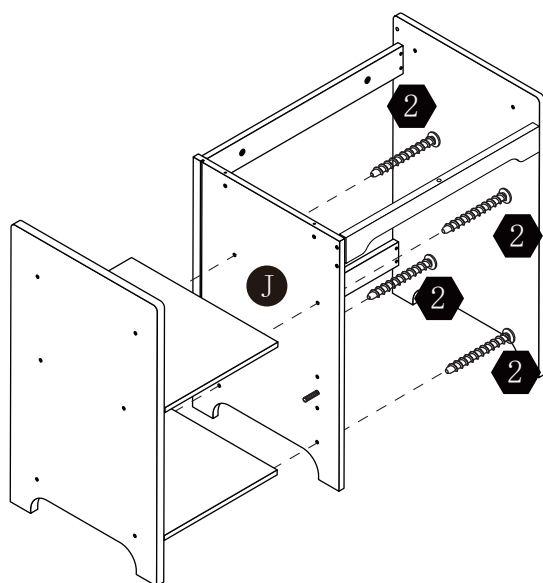
2  4 pcs
Ø4*35mm

7  2 pcs
Ø8*20mm

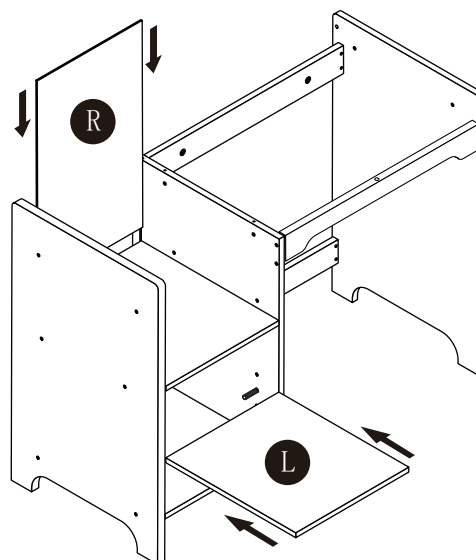


Step 11


2  4 pcs
Ø4*35mm

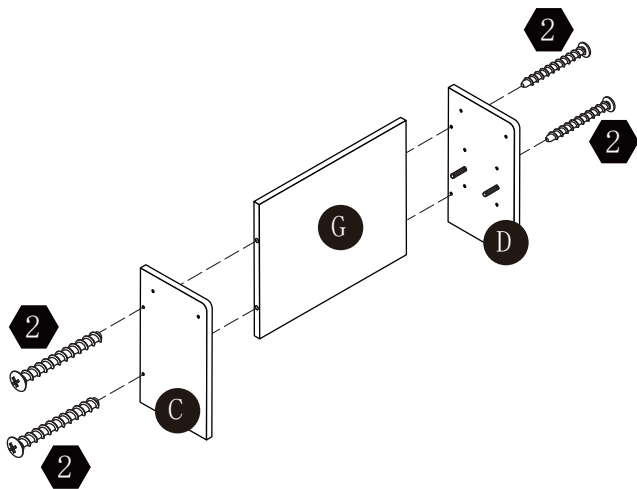


Step 12




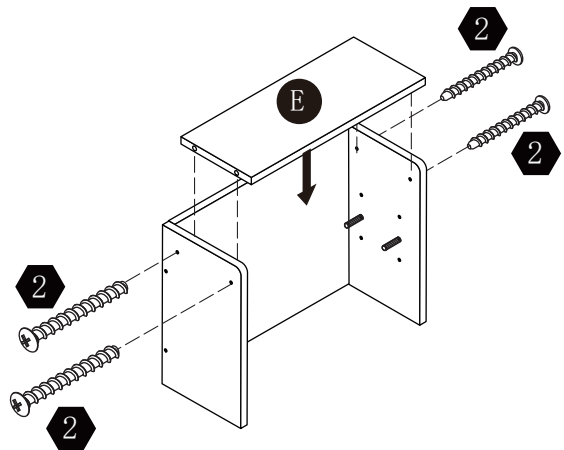
Step 13

2  4 pcs
Ø4*35mm

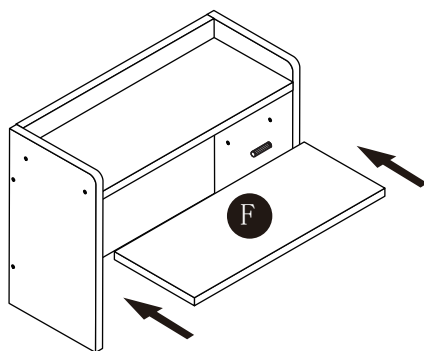


Step 14


2  4 pcs
Ø4*35mm

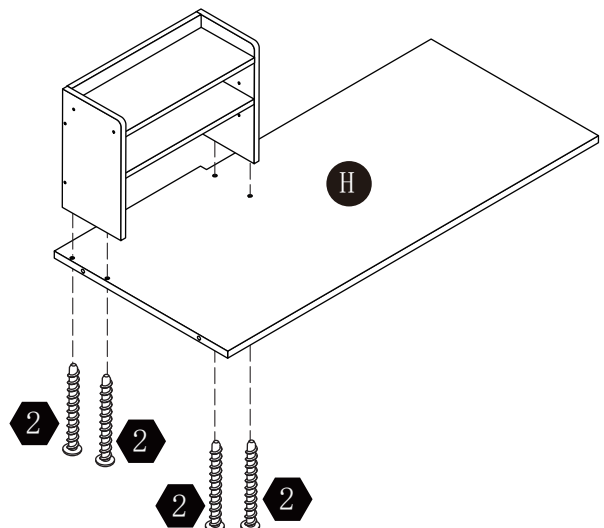


Step 15



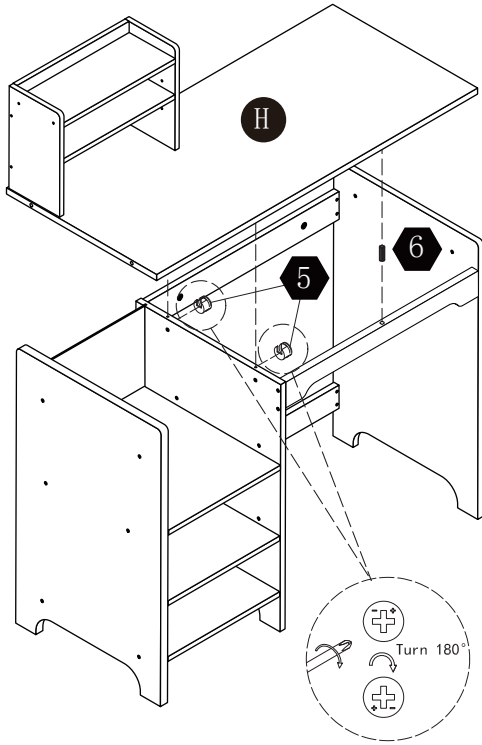
Step 16

2  4 pcs
Ø4*35mm




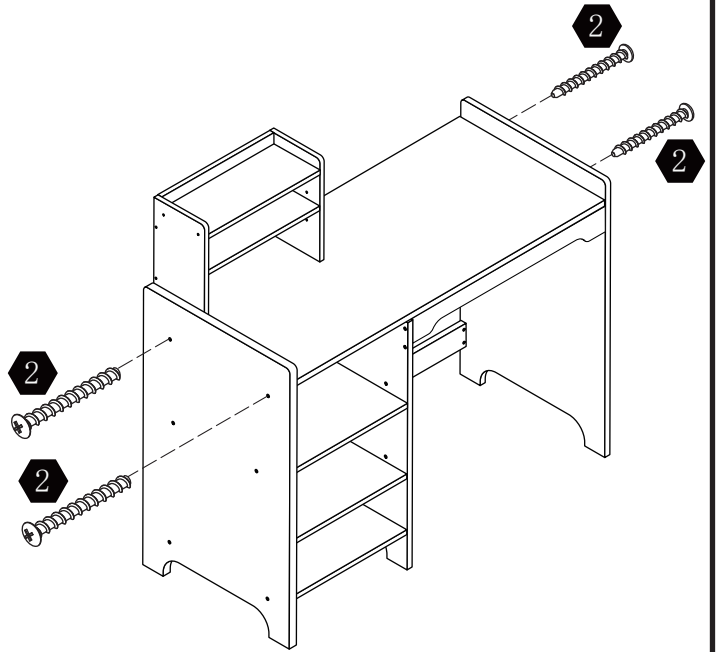
Step 17

- 5**  2 pcs
Ø15*10mm
- 6**  1 pcs
Ø 5*20mm



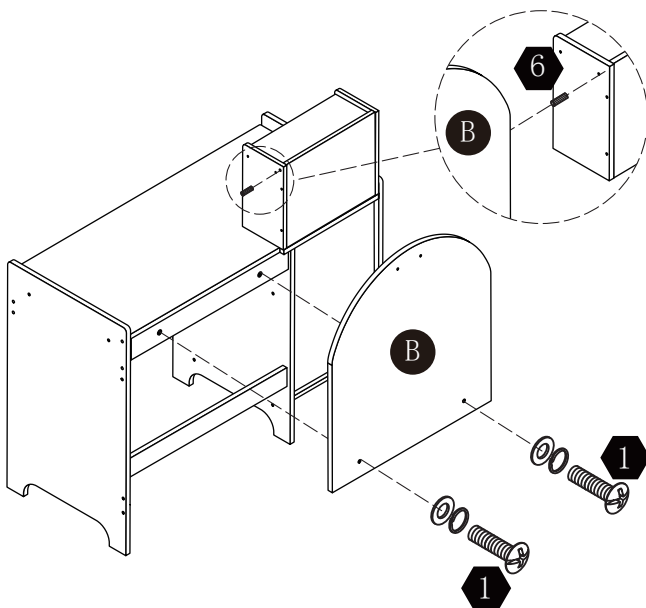
Step 18

- 2**  4 pcs
Ø4*35mm



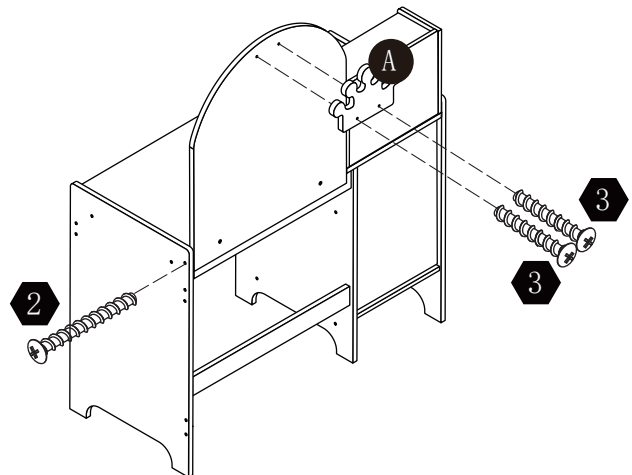
Step 19

- 1**  2sets
M6*32mm
- 6**  1 pcs
Ø 5*20mm



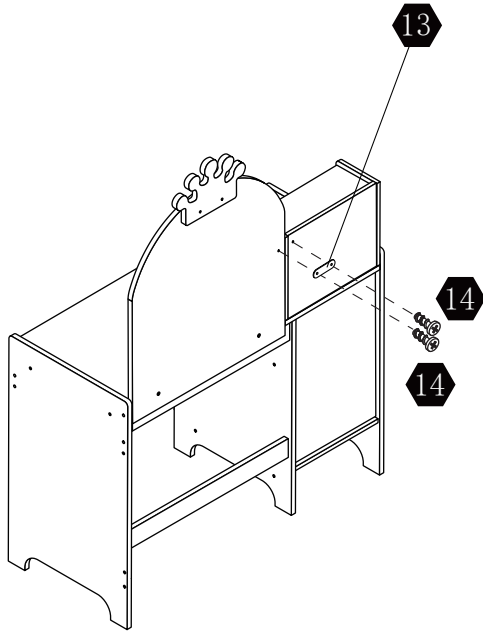
Step 20

- 3**  2 pcs
Ø4*14mm
- 2**  1 pcs
Ø4*35mm




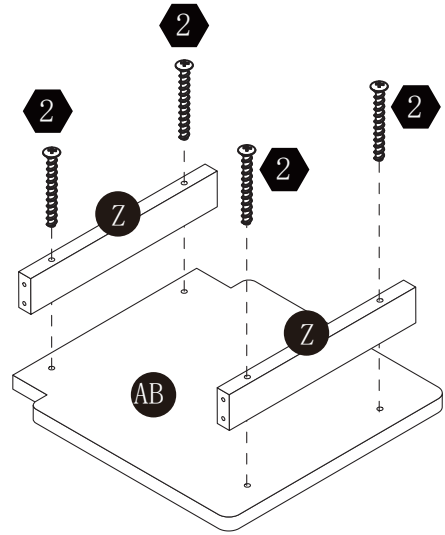
Step 21

- 13  2 pcs 14  2 pcs
 $\varnothing 3 \times 8 \text{mm}$



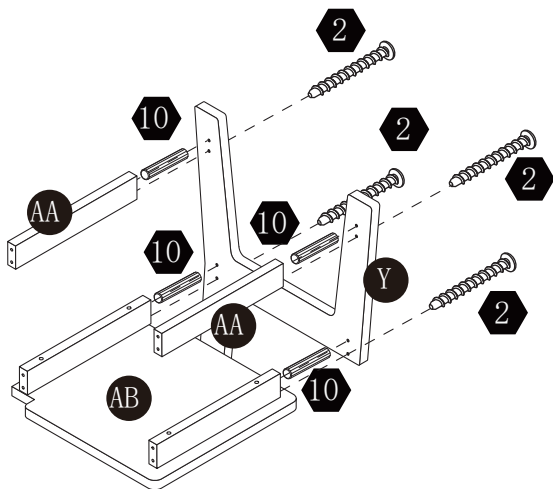
Step 22

- 2  4 pcs
 $\varnothing 4 \times 35 \text{mm}$



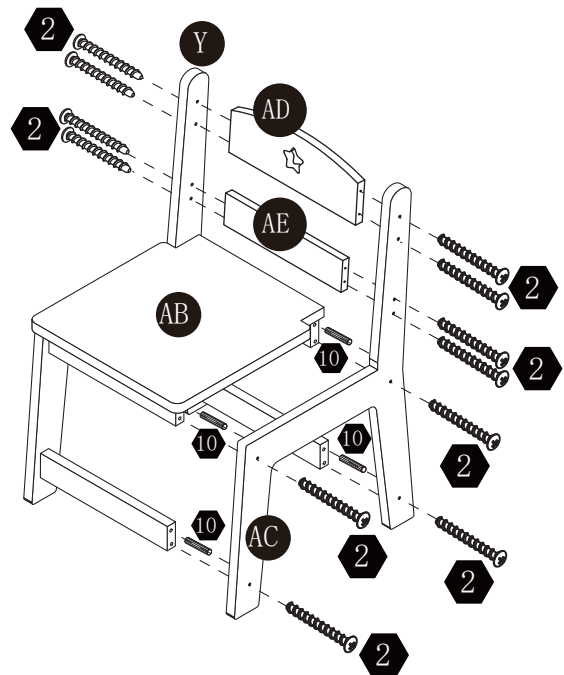
Step 23

- 10  4 pcs 2  4 pcs
 $\varnothing 8 \times 30 \text{mm}$ $\varnothing 4 \times 35 \text{mm}$

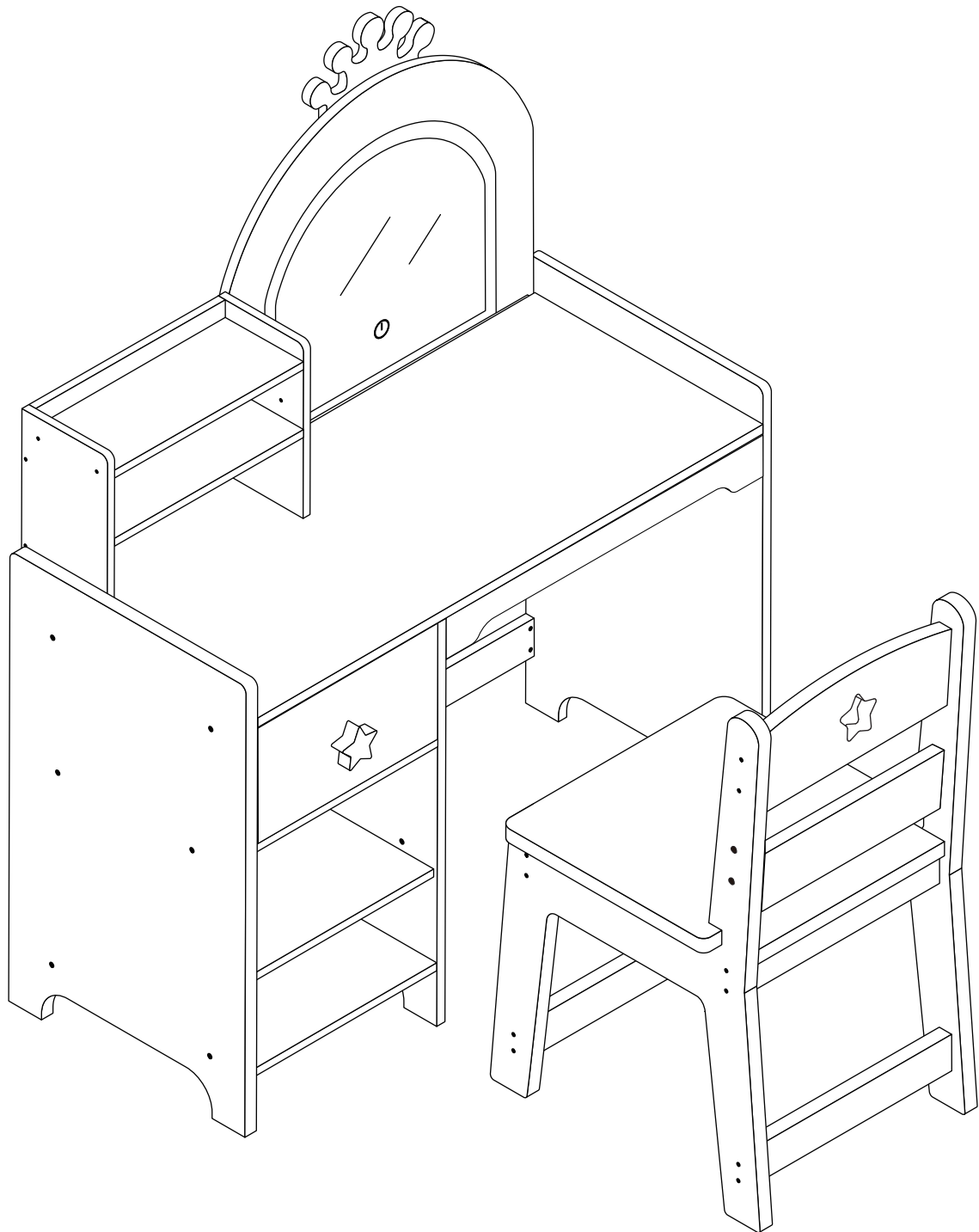


Step 24

- 10  4 pcs 2  12 pcs
 $\varnothing 8 \times 30 \text{mm}$ $\varnothing 4 \times 35 \text{mm}$



Step 25



WALL MOUNTING ASSEMBLY

For added safety and stability, it is recommended that the wall mounting hardware be installed. For safe mounting, it is essential to use wall anchors appropriate to your wall type (i.e. plaster, drywall, concrete, etc.). Mount to wood studs whenever possible.

⚠ WARNING:
Do not install on a wall where items can fall off and injure a child.

⚠ WARNING:
CHOKING HAZARD, Unassembled parts may be choking hazard to children 3 years and younger.

Use a 1/4" (6.5mm) drill bit to pilot the hole. If mounting to plaster, wood panels, brick or other drywall please consult a qualified professional.

Please make sure you use the right hardware for your wall type for your safety.

⚠ CAUTION:
Adult assembly required.
Hardware contains small screws with sharp points.
Keep unassembled parts out of reach of small children.

Hardware

A. Screw x 1
M4x25mm



B. Small Washer x 2
Φ10XΦ5X1mm



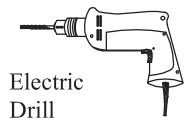
C. Plastic Anchor x 1



D. Plastic Anchor x 1



The following tools (not included) are required for assembly:



E. Wood Screw x 1
Φ4X32mm



F. Nut x1



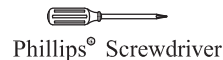
G. Large washer x1
Φ16XΦ6X1mm



Wrench x1



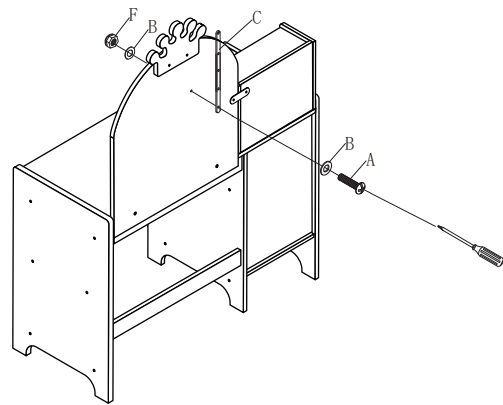
1/4" (6.5mm) Drill Bit



Step 1

Attach Plastic strip to back of product.

Hole predrilled in product backboard #L



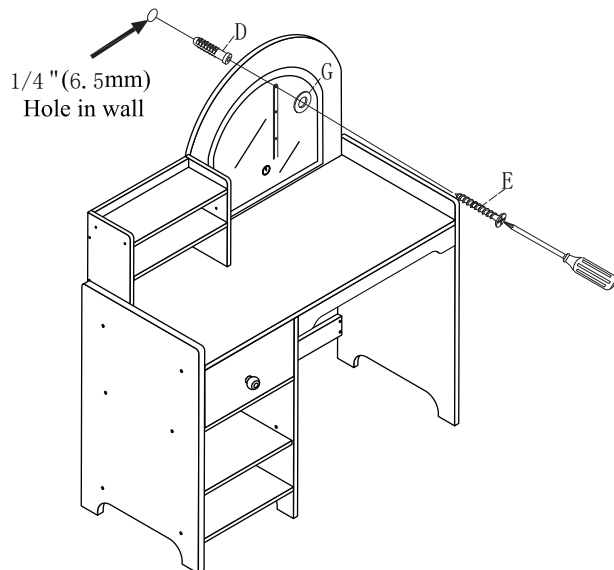
Step 2

Use 1/4" (6.5mm) drill bit to drill hole in wall

Do not drill an oversized hole or the wall anchor will not hold tightly into the wall.

Tap wall anchor into hole.

Secure product to wall with screw "E" through Plastic strap and into wall anchor.



Warning:

Serious or fatal injuries can occur from furniture tip-over. To help prevent furniture tip-over:

Use provided mounting hardware to secure furniture to the wall.

This may reduce but not eliminate the risk of furniture tip-over.

Do not allow children to climb on furniture.

Keep remote controls, toys, and other items that might attract children off of this product.

Unless specifically designed to accommodate, do not set televisions or other heavy objects on top of this product.

Limited Liability & Warning

No Unauthorized Modifications/Repairs: Do not modify or attempt to repair this product unless you are an authorized technician. Unauthorized actions may create hazards and void all warranties

Misuse & Non-Compliance: We are not liable for any injury, damage, or loss resulting from:

- (a) misuse, abuse, neglect, or improper installation;
- (b) failure to follow instructions or safety precautions;
- (c) use of unauthorized parts/accessories;
- (d) unauthorized modifications/repairs;
- (e) accidents, natural disasters, or external causes.

If you doubt any step of installation or operation, stop using the product and contact authorized service or the customer support.

LIMITACIÓN DE RESPONSABILIDAD Y ADVERTENCIA

Modificaciones o Reparaciones No Autorizadas: NO modifique ni intente reparar este producto a menos que sea un técnico autorizado. Las acciones no autorizadas pueden generar riesgos y anularán todas las garantías.

Uso Indebido e Incumplimiento: No asumimos responsabilidad alguna por lesiones, daños o pérdidas que resulten de:

- (a) uso indebido, abuso, negligencia o instalación incorrecta;
- (b) incumplimiento de las instrucciones o precauciones de seguridad;
- (c) uso de piezas o accesorios no autorizados;
- (d) modificaciones o reparaciones no autorizadas;
- (e) accidentes, desastres naturales o causas externas.

Si tiene dudas sobre algún paso de la instalación o el funcionamiento, deje de usar el producto y póngase en contacto con el servicio técnico autorizado o con atención al cliente.

GARVEE
support@garvee.com